

TCA9416 Ultra-Low-Voltage I²C Translator with Rise Time Accelerators

1 Features

- 2-bit bidirectional translator for SDA and SCL lines in I²C applications
- Provides bidirectional voltage translation with no direction pin
- High-impedance output SCL_A, SDA_A, SCL_B, SDA_B pins when OE = 0 V or V_{CC} = 0 V
- Internal 10-kΩ pull-up resistor on all SDA and SCL pins are enabled based on respective V_{CC} voltage
- 1.08 V to 3.6 V on both A and B ports
- V_{CC} Isolation feature: If either V_{CC} input is at GND, both ports are in the high-impedance state (excluding pull-ups)
- No power-supply sequencing required: either V_{CCA} or V_{CCB} can be ramped first
- Low I_{off} of 2.5 μA when either V_{CCA} or V_{CCB} = 0 V
- OE input can be tied directly to V_{CCA} or controlled by GPIO
- Latch-up performance exceeds 100 mA per JESD 78, class II
- ESD Protection exceeds JESD 22
 - 2500-V Human-body model (A114-B)
 - 1500-V Charged-device model (C101)

2 Applications

- [Wearables](#)
- [Personal electronics](#)
- [Servers](#)

3 Description

The TCA9416 is a 2-bit bidirectional I²C and SMBus voltage-level translator with an output enable (OE) input and rising and falling edge accelerators. It is operational from 1.08 V to 3.6 V on both the A-side and B-side. This allows the device to interface between lower and higher logic signal levels at any of the typical 1.2-V, 1.8-V, 2.5-V, and 3.3-V supply rails.

The OE input pin is referenced to V_{CCA}, can be tied directly to V_{CCA}, but it is also 3.6-V tolerant. The OE pin can also be controlled and set to a logic low to place all the SCL and SDA pins in a high-impedance state, which significantly reduces the quiescent current consumption.

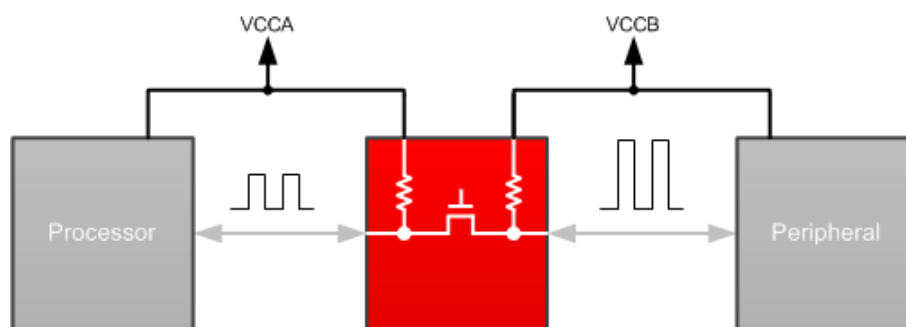
Under normal I²C and SMBus configurations, the TCA9416 is compatible with standard speeds where the frequency of SCL is 100 kHz (Standard-mode), 400 kHz (Fast-mode), or 1 MHz (Fast-mode Plus).

The TCA9416 features internal 10-kΩ pull-up resistors on SCL_A, SDA_A, SCL_B, and SDA_B. Additional external pull-up resistors can be added to the bus to reduce the total pull-up resistance and speed up rising edges.

Device Information

PART NUMBER	PACKAGE ⁽¹⁾	BODY SIZE (NOM)
TCA9416	X2SON (8)	1.35 mm × 0.80 mm
	SOT-23-T (8)	2.9 mm × 1.6 mm

(1) For all available packages, see the orderable addendum at the end of the datasheet.



Typical Application Block Diagram for TCA9416



Table of Contents

1 Features	1	8.1 Overview.....	12
2 Applications	1	8.2 Functional Block Diagram.....	12
3 Description	1	8.3 Feature Description.....	12
4 Revision History	2	8.4 Device Functional Modes.....	14
5 Pin Configuration and Functions	3	9 Application and Implementation	15
6 Specifications	4	9.1 Application Information.....	15
6.1 Absolute Maximum Ratings	4	9.2 Typical Application.....	15
6.2 ESD Ratings	4	10 Power Supply Recommendations	17
6.3 Recommended Operating Conditions	5	11 Layout	18
6.4 Thermal Information	5	11.1 Layout Guidelines.....	18
6.5 Electrical Characteristics	6	11.2 Layout Example.....	18
6.6 Timing Requirements	7	12 Device and Documentation Support	19
6.7 Switching Characteristics	8	12.1 Receiving Notification of Documentation Updates..	19
6.8 Typical Characteristics.....	9	12.2 Support Resources.....	19
7 Parameter Measurement Information	10	12.3 Trademarks.....	19
7.1 Voltage Waveforms.....	11	12.4 Electrostatic Discharge Caution.....	19
8 Detailed Description	12	12.5 Glossary.....	19

4 Revision History

NOTE: Page numbers for previous revisions may differ from page numbers in the current version.

Changes from Revision * (February 2021) to Revision A (August 2021)	Page
• Changed the document status from: <i>Advanced Information</i> to: <i>Production data</i>	1

5 Pin Configuration and Functions

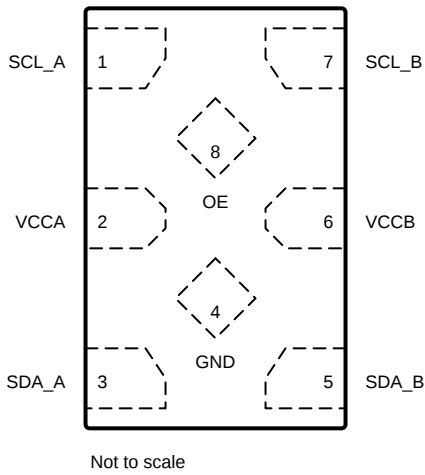


Figure 5-1. 8-PIN DTM, (Top View)

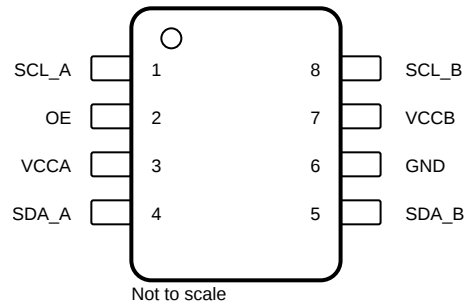


Figure 5-2. 8-PIN DDF, (Top View)

Table 5-1. Pin Functions

PIN			TYPE	DESCRIPTION
NAME	DTM	DDF		
SCL_A	1	1	I/O	Input/output A. Referenced to V_{CCA} .
VCCA	2	3	Power	A-port supply voltage. $1.08\text{ V} \leq V_{CCA} \leq 3.6\text{ V}$
SDA_A	3	4	I/O	Input/output A. Referenced to V_{CCA} .
GND	4	6	GND	Ground
SDA_B	5	5	I/O	Input/output B. Referenced to V_{CCB} .
VCCB	6	7	Power	B-port supply voltage. $1.08\text{ V} \leq V_{CCB} \leq 3.6\text{ V}$
SCL_B	7	8	I/O	Input/output B. Referenced to V_{CCB} .
OE	8	2	Input	Output enable (active High). Pull OE low to place all outputs in 3-state mode. Referenced to V_{CCA} .

6 Specifications

6.1 Absolute Maximum Ratings

over recommended operating free-air temperature range (unless otherwise noted)

			MIN	MAX	UNIT
V_{CCA}	Supply voltage range		-0.5	4	V
V_{CCB}	Supply voltage range		-0.5	4	V
V_I	Input voltage range ⁽¹⁾	A port	-0.5	4	V
		B port	-0.5	4	
V_O	Voltage range applied to any output in the high-impedance or power-off state ⁽¹⁾	A port	-0.5	4	V
		B port	-0.5	4	
V_O	Voltage range applied to any output in the high or low state ^{(1) (2)}	A port	-0.5	4	V
		B port	-0.5	4	
I_{IK}	Input clamp current	$V_I < 0$		-50	mA
I_{OK}	Output clamp current	$V_O < 0$		-50	mA
I_O	Continuous output current			±50	mA
	Continuous current through V_{CCA} , V_{CCB} , or GND			±100	mA
T_{stg}	Storage temperature		-65	150	°C

(1) The input and output negative-voltage ratings may be exceeded if the input and output current ratings are observed.

(2) The value of V_{CCA} and V_{CCB} are provided in the recommended operating conditions table.

6.2 ESD Ratings

			VALUE	UNIT	
$V_{(ESD)}$	Electrostatic discharge	Human-body model (HBM), per ANSI/ESDA/JEDEC JS-001 ⁽¹⁾	A-Ports, B-Ports	±2500	V
			V_{CCA} , V_{CCB} , OE	±2000	V
		Charged-device model (CDM), per JEDEC specification JESD22-C101 ⁽²⁾	±1000	V	

(1) JEDEC document JEP155 states that 500-V HBM allows safe manufacturing with a standard ESD control process.

(2) JEDEC document JEP157 states that 250-V CDM allows safe manufacturing with a standard ESD control process.

6.3 Recommended Operating Conditions

over recommended operating free-air temperature range (unless otherwise noted)

			V _{CCA}	V _{CCB}	MIN	MAX	UNIT
V _{CCA}	Supply voltage				1.08	3.6	V
V _{CCB}	Supply voltage				1.08	3.6	V
V _I	Input voltage	A-port I/Os, B-port I/Os, OE	0 V to 3.6 V	0 V to 3.6 V	0	3.6	V
V _{IH}	High-level input voltage	OE input	1.08 V to 3.6 V	1.08 V to 3.6 V	V _{CCA} × 0.65	3.6	V
V _{IL}	Low-level input voltage	OE input	1.08 V to 3.6 V	1.08 V to 3.6 V	0	V _{CCA} × 0.35	V
T _A	Operating free-air temperature				–40	125	°C

6.4 Thermal Information

THERMAL METRIC ⁽¹⁾		TCA9416	TCA9416	UNIT
		DDF	DTM	
		8 PINS	8 PINS	
R _{θJA}	Junction-to-ambient thermal resistance	177.6	212.5	°C/W
R _{θJC(top)}	Junction-to-case (top) thermal resistance	98.7	105.3	°C/W
R _{θJB}	Junction-to-board thermal resistance	97.8	124.1	°C/W
ψ _{JT}	Junction-to-top characterization parameter	12.2	4.5	°C/W
ψ _{JB}	Junction-to-board characterization parameter	97.2	23.8	°C/W

- (1) For more information about traditional and new thermal metrics, see the [Semiconductor and IC Package Thermal Metrics](#) application report.

6.5 Electrical Characteristics

over recommended operating free-air temperature range (unless otherwise noted)

PARAMETER		TEST CONDITIONS	V _{CCA}	V _{CCB}	MIN	TYP	MAX	UNIT
V _{UVLO_RISE}	UVLO Rising Threshold	V _{UVLO} for V _{CCA} and V _{CCB} are independent	0 V to 3.6 V	0 V to 3.6 V	0.65	0.9	1	V
V _{UVLO_FALL}	UVLO Falling Threshold	V _{UVLO} for V _{CCA} and V _{CCB} are independent	0 V to 3.6 V	0 V to 3.6 V	0.6	0.85	0.95	V
V _{RTA} (1)	RTA(2) Activation Threshold		1.08 V to 3.6 V	1.08 V to 3.6 V	V _{CCI} × 0.30	V _{CCI} × 0.45		V
V _{FTA} (1)	FTA(2) Activation Threshold		1.08 V to 3.6 V	1.08 V to 3.6 V		V _{CCI} × 0.60	V _{CCI} × 0.70	V
R _{PU}		V _I = 0.15 V	1.08V to 3.6V	1.08V to 3.6V	7.5	10	12.5	kΩ
I _I	OE	V _I = V _{CCA} or GND	1.08 V to 3.6 V	1.08 V to 3.6 V		±0.1	±1	μA
I _{OZ}	A or B port	OE less than V _{IL}	1.08 V to 3.6 V	1.08 V to 3.6 V		0	±2.5	μA
I _{off}	A port	V _I = 3.6 V, V _O = 0 V (T _A ≤ 85 C)	0 V	0 V to 3.6 V		±0.1	±0.5	μA
	B port	V _I = 3.6 V, V _O = 0 V (T _A ≤ 85 C)	0 to 3.6 V	0 V		±0.1	±0.5	
	A port	V _I = 3.6 V, V _O = 0 V (T _A ≤ 125 C)	0 V	0 V to 3.6 V		±0.1	±2.5	
	B port	V _I = 3.6 V, V _O = 0 V (T _A ≤ 125 C)	0 to 3.6 V	0 V		±0.1	±2.5	
I _{CC_OFF}	VCCA	V _I = V _O = open, I _O = 0, OE = 0 V	1.08 V to 3.6 V	1.08 V to 3.6 V		4	13	μA
	VCCB	V _I = V _O = open, I _O = 0, OE = 0 V				3	13	
I _{CCA}		V _I = V _O = open, I _O = 0, OE = VCCA	1.32 V	1.32 V to 3.6 V		3	6	μA
			1.98 V	1.32 V to 3.6 V		4	10	
			3.6 V	1.32 V to 3.6 V		6	14	
			0 V	1.32 V to 3.6 V	-0.5	0		
			1.32 V to 3.6 V	0 V		3	12	
I _{CCB}		V _I = V _O = open, I _O = 0, OE = VCCA	1.32 V to 3.6 V	1.32 V		1.5	6	μA
			1.32 V to 3.6 V	1.98 V		2	8	
			1.32 V to 3.6 V	3.6 V		5	12	
			1.32 V to 3.6 V	0 V	-0.5	0		
			0 V	1.32 V to 3.6 V		1	7	
I _{CCA} + I _{CCB}		V _I = V _O = open, I _O = 0, OE = VCCA	1.32 V	1.32 V		4	12	μA
			1.98 V	1.98 V		6	15	
			3.6 V	3.6 V		11	23	
R _{on}		V _I = 0.2 V, I _O = 2 mA	1.08 V	1.08 V		28	50	Ω
			1.08 V, 1.8 V	1.8 V, 1.08 V		28	50	
			1.65 V	1.65 V		15	25	
			1.08 V, 3.0 V	3.0 V, 1.08 V		30	55	
			1.65 V, 3.0 V	3.0 V, 1.65 V		15	25	
			3.0 V	3.0 V		10	15	
C _I	OE		3.3 V	3.3 V		2.5	4	pF
C _{io}	A or B port		0 V, 1.08 V, 3.6 V	0 V, 1.08 V, 3.6 V		7	10	pF

(1) V_{CCI} is the V_{CC} associated with the input port.

(2) RTA is "rise time accelerator" and FTA is "fall time accelerator"

6.6 Timing Requirements

over operating free-air temperature range (unless otherwise noted). Typical specifications are at $T_A = 25\text{ }^\circ\text{C}$, $V_{CC} = 3.3\text{ V}$, unless otherwise noted.

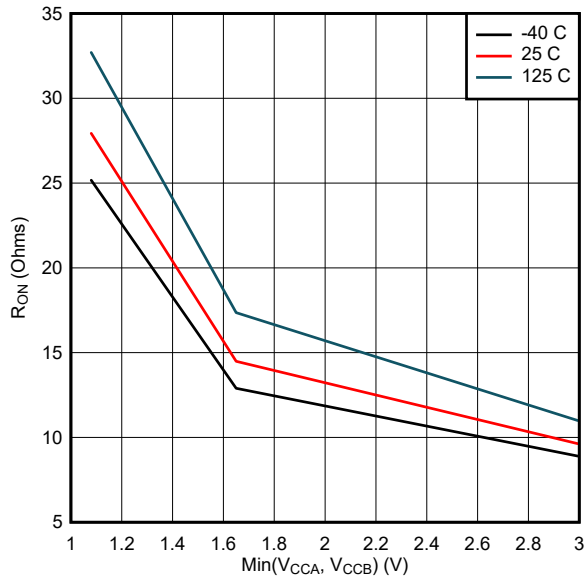
PARAMETER		TEST CONDITIONS	MIN	TYP	MAX	UNIT
t_{RTA}	Time from V_{RTA} to RTA disabling	SDA,SCL = Hi-Z EN = V_{CC}		80	210	ns

6.7 Switching Characteristics

over recommended operating free-air temperature range (unless otherwise noted)

PARAMETER	FROM (INPUT)	TO (OUTPUT)	TEST CONDITIONS	MIN	TYP	MAX	UNIT
t_{PHL}	A	B	$V_{CCA} = 1.08\text{ V}$		17	30	ns
			$V_{CCA} = 1.8\text{ V}$		10	20	
			$V_{CCA} = 2.5\text{ V}$		7	25	
			$V_{CCA} = 3.6\text{ V}$		6	23	
t_{PLH}	A	B	$V_{CCA} = 1.08\text{ V}$		9	25	ns
			$V_{CCA} = 1.8\text{ V}$		5	20	
			$V_{CCA} = 2.5\text{ V}$		4	20	
			$V_{CCA} = 3.6\text{ V}$		2	20	
t_{PHL}	B	A	$V_{CCB} = 1.08\text{ V}$		17	30	ns
			$V_{CCB} = 1.8\text{ V}$		10	20	
			$V_{CCB} = 2.5\text{ V}$		7	25	
			$V_{CCB} = 3.6\text{ V}$		6	23	
t_{PLH}	B	A	$V_{CCB} = 1.08\text{ V}$		9	25	ns
			$V_{CCB} = 1.8\text{ V}$		5	20	
			$V_{CCB} = 2.5\text{ V}$		4	20	
			$V_{CCB} = 3.6\text{ V}$		2	20	
$t_{SK(O)-RISE}$	Rising Channel-to-channel skew (Propagation)					8	ns
$t_{SK(O)-FALL}$	Falling Channel-to-channel skew (Propagation)					8	ns
t_{en}	OE	A or B			70	350	ns
t_{dis}	OE	A or B			60	160	ns
t_{rA}	B-port	A-port	$V_{CCA} = 1.08\text{ V}$		18	35	ns
			$V_{CCA} = 1.8\text{ V}$		12	30	
			$V_{CCA} = 2.5\text{ V}$		11	25	
			$V_{CCA} = 3.6\text{ V}$		10	25	
t_{rB}	A-port	B-port	$V_{CCB} = 1.08\text{ V}$		18	35	ns
			$V_{CCB} = 1.8\text{ V}$		12	30	
			$V_{CCB} = 2.5\text{ V}$		11	25	
			$V_{CCB} = 3.6\text{ V}$		10	25	
t_{fA}	B-port	A-port	$V_{CCA} = 1.08\text{ V}$		13	30	ns
			$V_{CCA} = 1.8\text{ V}$		12	30	
			$V_{CCA} = 2.5\text{ V}$		12	35	
			$V_{CCA} = 3.6\text{ V}$		11	40	
t_{fB}	A-port	B-port	$V_{CCB} = 1.08\text{ V}$		13	30	ns
			$V_{CCB} = 1.8\text{ V}$		12	30	
			$V_{CCB} = 2.5\text{ V}$		12	35	
			$V_{CCB} = 3.6\text{ V}$		11	40	

6.8 Typical Characteristics



The Min(V_{CCA}, V_{CCB}) signifies that the lower voltage of V_{CCA} or V_{CCB} is used. As an example, if V_{CCA} = 1.8 V and V_{CCB} = 3.3 V, then the Min(V_{CCA}, V_{CCB}) is 1.8 V.

Figure 6-1. R_{ON} (Ω) vs Min(V_{CCA}, V_{CCB}) (V)

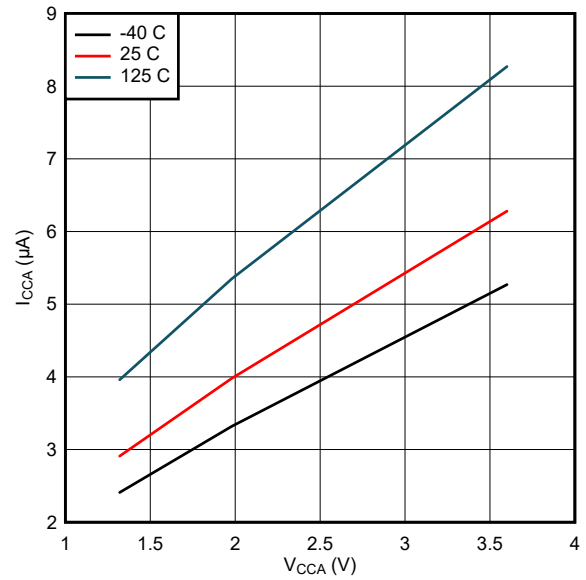


Figure 6-2. I_{CCA} (μA) vs V_{CCA} (V)

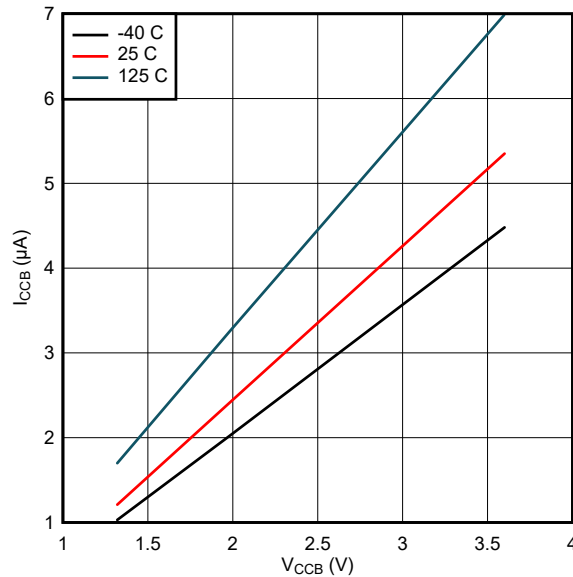
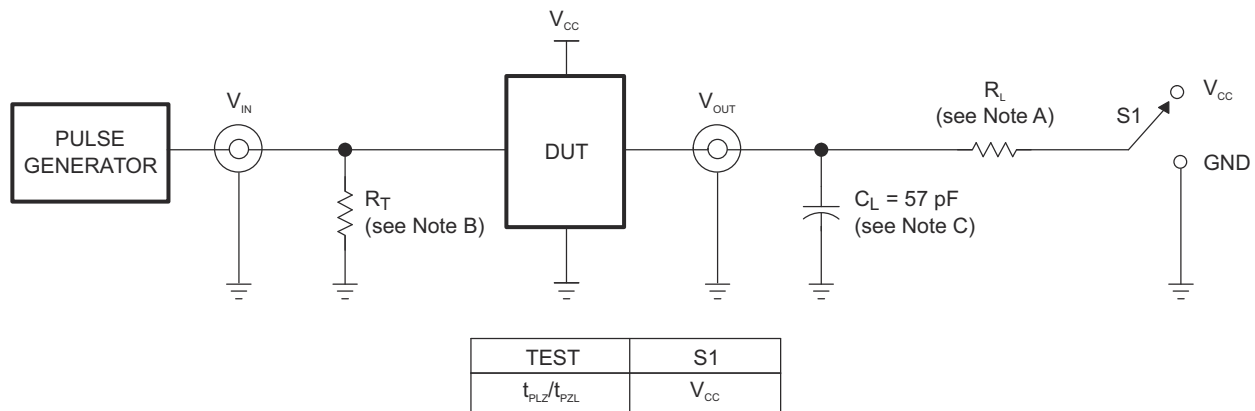


Figure 6-3. I_{CCB} (μA) vs V_{CCB} (V)

7 Parameter Measurement Information



TEST CIRCUIT FOR OPEN-DRAIN OUTPUT

Copyright © 2017, Texas Instruments Incorporated

Figure 7-1. Load Circuit for Pulse Duration, Propagation Delay, Output Rise-Time and Fall-Time Measurement

1. $R_L = 1.35 \text{ k}\Omega$
2. R_T termination resistance should be equal to Z_{OUT} of pulse generators.
3. C_L includes probe and jig capacitance. $C_L = 50 \text{ pF}$ when on the B-side.
4. All input pulses are supplied by generators having the following characteristics: $PRR \leq 10 \text{ MHz}$, $Z_O = 50 \Omega$, slew rate $\geq 1 \text{ V/ns}$.
5. t_{PLZ} and t_{PHZ} are the same as t_{dis} .
6. t_{PZL} and t_{PZH} are the same as t_{en} .
7. V_{CCI} is the V_{CC} associated with the input port.
8. V_{CCO} is the V_{CC} associated with the output port.

7.1 Voltage Waveforms

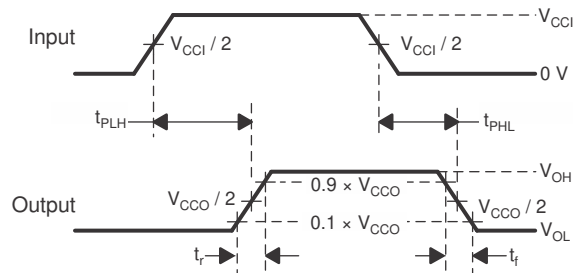
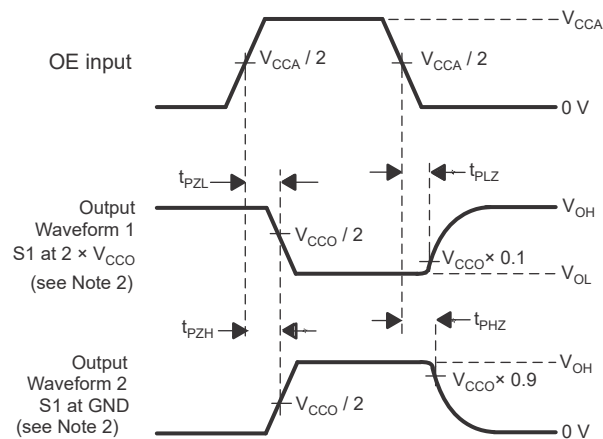


Figure 7-2. Propagation Delay Times



1. C_L includes probe and jig capacitance.
2. Waveform 1 in Figure 7-3 is for an output with internal such that the output is high, except when OE is high (see Figure 7-1). Waveform 2 in Figure 7-3 is for an output with conditions such that the output is low, except when OE is high.
3. All input pulses are supplied by generators having the following characteristics: $PRR \leq 10$ MHz, $Z_O = 50 \Omega$, $dv/dt \geq 1$ V/ns.
4. The outputs are measured one at a time, with one transition per measurement.
5. t_{PLZ} and t_{PHZ} are the same as t_{dis} .
6. t_{PZL} and t_{PZH} are the same as t_{en} .
7. t_{PLH} and t_{PHL} are the same as t_{pd} .
8. V_{CCI} is the V_{CC} associated with the input port.
9. V_{CCO} is the V_{CC} associated with the output port.

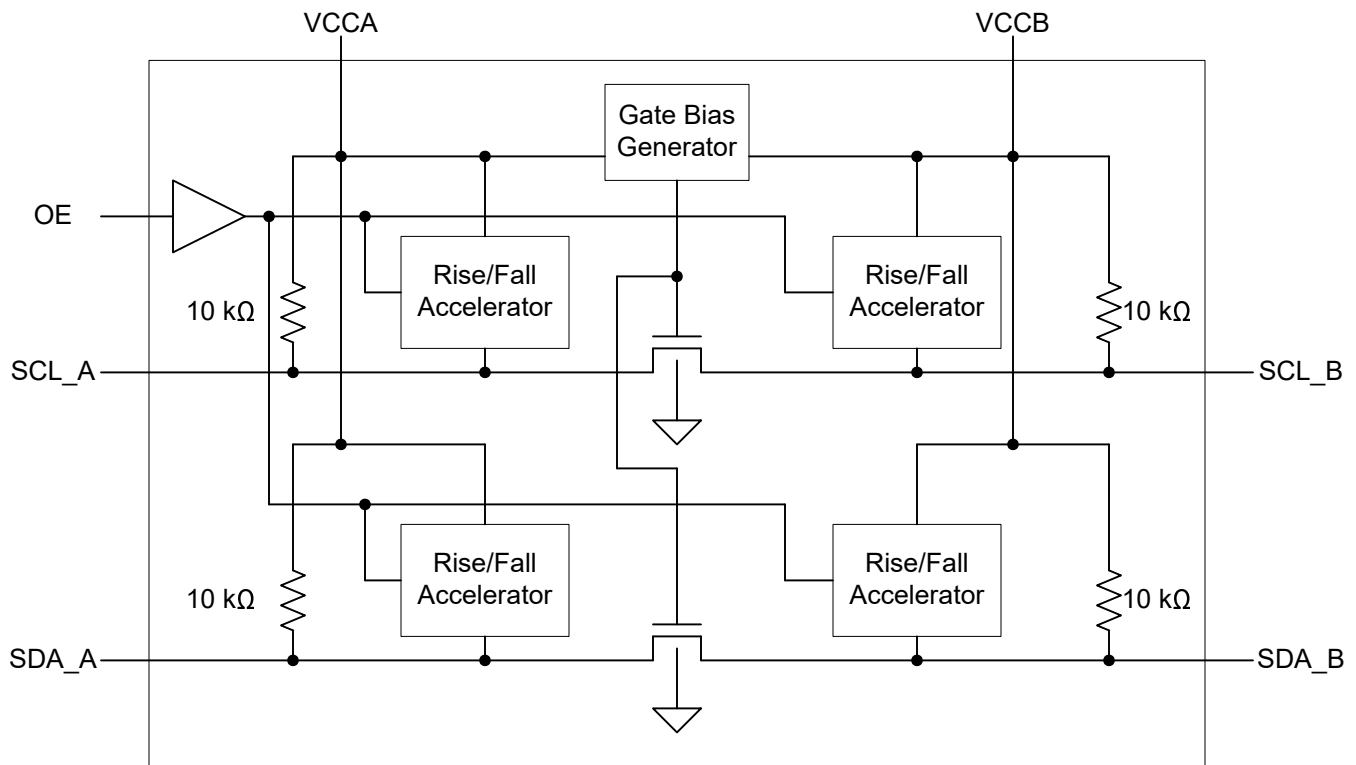
Figure 7-3. Enable and Disable Times

8 Detailed Description

8.1 Overview

The TCA9416 device is a directionless voltage-level translator specifically designed for translating logic voltage levels. The A and B ports are able to accept I/O voltages ranging from 1.08 V to 3.6 V. The device is a pass-gate architecture with edge-rate accelerators (one-shots) to improve the overall data rate. 10-k Ω pull up resistors, commonly used in open-drain applications, have been conveniently integrated so that an external resistor is not needed. When TCA9416 is disabled the one shots are also disabled, but the internal pull ups are still enabled. Pull up resistors are gated on the supply voltage. When supply is above UVLO, the pull up resistor for that specific side (A vs B) is enabled.

8.2 Functional Block Diagram



8.3 Feature Description

8.3.1 Architecture

The TCA9416 architecture (see [Figure 8-1](#)) is an auto-direction-sensing based translator that does not require a direction-control signal to control the direction of data flow from A to B or from B to A.

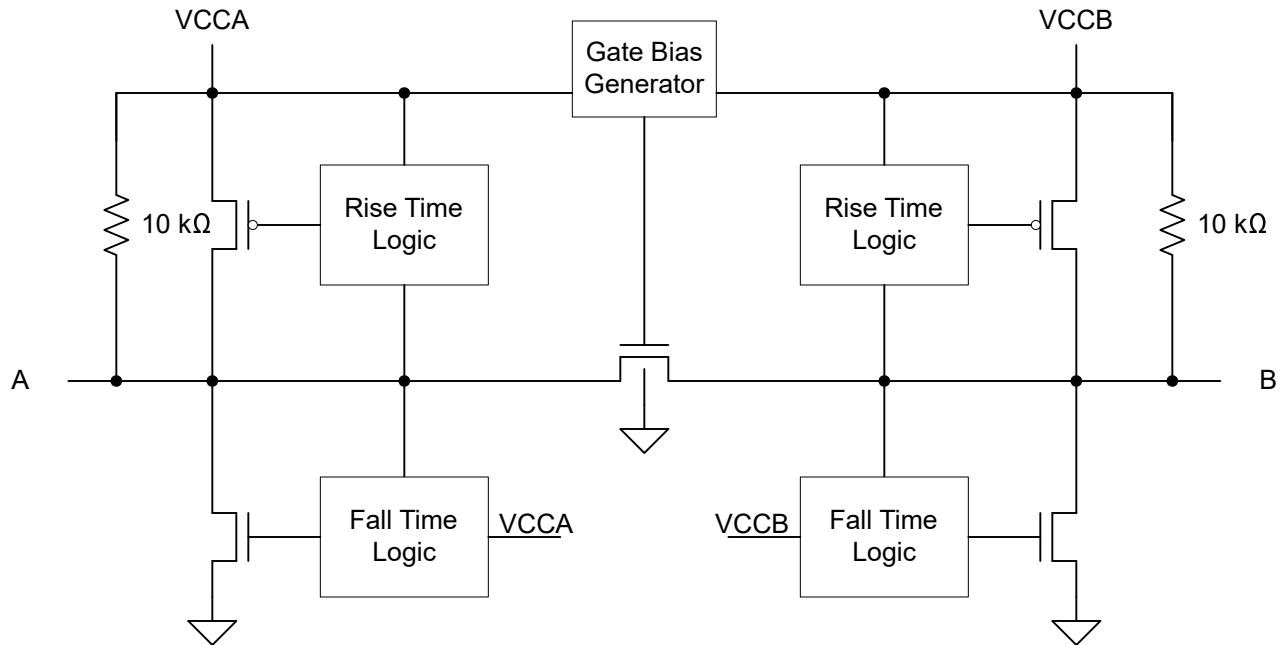


Figure 8-1. Architecture of a TCA9416 Cell

These two bidirectional channels support both directions of data flow without a direction-control signal. By properly biasing the gate of the pass-FET, the FET can turn on (low $R_{DS(ON)}$), when either side input voltage drops to ~ 1 voltage threshold below the lowest of the two supplies.

The TCA9416 is part of the TI "Switch" type voltage translator family and employs key circuits to enable this voltage translation:

1. An N-channel pass-gate transistor topology that ties the A-port to the B-port.
2. Output rise time accelerator circuitry to detect and accelerate rising edges on the A or B ports
3. Output fall time accelerator circuitry to detect and accelerate falling edges on the A or B ports

For bidirectional voltage translation, pull up resistors are included on the device for dc current sourcing capability. The V_{GATE} gate bias of the N-channel pass transistor is set to the lower supply voltage and can be represented with $\text{MIN}(V_{CCA}, V_{CCB})$.

The rise and fall time accelerator (RTA and FTA, respectively) circuitry speeds up the output slew rate by monitoring the input edge for transitions, helping maintain the data rate through the device. During a low-to-high signal rising edge, the rise time accelerator (RTA) circuit turns on to increase the current drive capability of the driver. This edge-rate acceleration provides high ac drive by bypassing the internal 10-k Ω pull up resistors during the low-to-high transition to speed up the signal. The output resistance of the driver is decreased to approximately 150 Ω during this acceleration phase. During a high-to-low signal falling edge, the fall time accelerator (FTA) turns on to increase the current drive capability of the driver, similar to the rise time accelerator. This helps reduce the fall time for large capacitive loads. For light capacitive loads, the fall time accelerator will not enable.

Both the rise and fall time accelerators have logic to control the rate at which they turn on and off, in order to reduce ringing and over/undershoots.

8.3.2 Enable and Disable

The TCA9416 has an OE input that is used to disable the device by setting OE low, which prevents any signals from propagating across the device. This pin is referenced to the V_{CCA} supply. The rise and fall time accelerators are also disabled. Note that the internal pull up resistors will still be enabled if the supply is above V_{UVLO} . The disable time (t_{dis}) indicates the delay between the time when OE goes low and when the outputs are disabled (Hi-Z). The enable time (t_{en}) indicates the amount of time the user must allow for the one-shot circuitry to become operational after OE is taken high.

8.3.3 Pull up resistors on I/O Lines

Each A-port I/O has an internal 10-k Ω pull up resistor to V_{CCA} , and each B-port I/O has an internal 10-k Ω pull up resistor to V_{CCB} . If a smaller value of pull up resistor is required, an external resistor must be added from the I/O to V_{CCA} or V_{CCB} (in parallel with the internal 10-k Ω resistors). However, adding lower value pull up resistors effects V_{OL} levels. It is recommended not to go below 1.5-k Ω . The internal pull ups of the TCA9416 are controlled by their respective supplies. The resistors have back-biasing protection, so that if a supply is off, the current cannot flow through the resistors back into the supply. If a supply is above V_{UVLO_RISE} , the pull up resistor for its side is enabled.

8.4 Device Functional Modes

The TCA9416 device has two functional modes, enabled and disabled. To disable the device set the OE input low, which disables the rise time and fall time accelerators, and prevents signals from propagating across the channels. The internal pull up resistors are not affected by the OE input. Setting the OE input high enables the device.

9 Application and Implementation

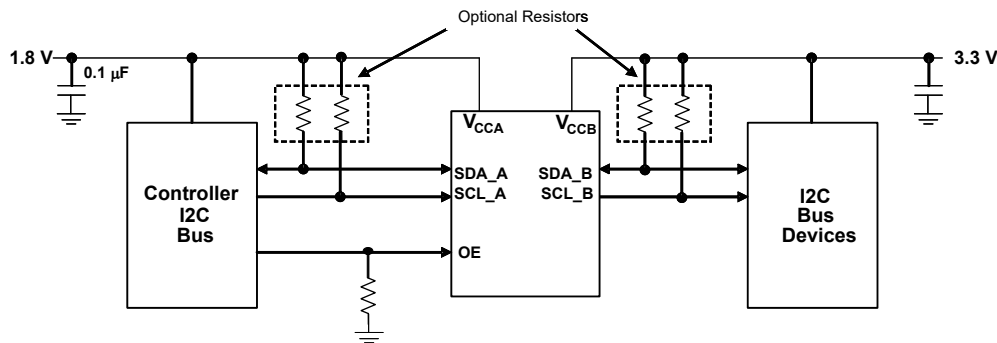
Note

Information in the following applications sections is not part of the TI component specification, and TI does not warrant its accuracy or completeness. TI's customers are responsible for determining suitability of components for their purposes, as well as validating and testing their design implementation to confirm system functionality.

9.1 Application Information

The TCA9416 can be used to bridge the digital-switching compatibility gap between two voltage nodes to successfully interface logic threshold levels found in electronic systems. It should be used in a point-to-point topology for interfacing devices or systems operating at different interface voltages with one another. The primary target application use is for interfacing with open-drain drivers on the data I/Os such as I²C or SMBus, where the data is bidirectional and no control signal is available.

9.2 Typical Application



OE is referenced to V_{CCA}

Figure 9-1. Typical Application Circuit

9.2.1 Design Requirements

For this design example, use the parameters listed in [Table 9-1](#).

Table 9-1. Design Parameters

DESIGN PARAMETER	EXAMPLE VALUE
Input voltage range	1.08 to 3.6 V
Output voltage range	1.08 to 3.6 V

9.2.2 Detailed Design Procedure

To begin the design process, determine the following:

- Input voltage range
 - Use the supply voltage of the device that is driving the TCA9416 device to determine the input voltage range. For a valid logic high, the value must exceed the V_{IH} of the input port. For a valid logic low, the value must be less than the V_{IL} of the input port.
- Output voltage range
 - Use the supply voltage of the device that the TCA9416 device is driving to determine the output voltage range
 - The TCA9416 device has 10-k Ω internal pull up resistors. External pull up resistors can be added to reduce the total RC of a signal trace if necessary.

9.2.2.1 Startup Considerations with Large Capacitive Load Mismatches

Due to the FET based architecture of this translator, there are some considerations a system designer must be aware of during powering up with large differences in capacitance between the sides. If one supply with smaller capacitance is already powered up, and the other is ramping (with OE pin high), the side with the heavier load can ramp slower than the power supply ramp, due to only having an internal 10kΩ pull up resistor. In this situation, once the rising POR threshold is met, the device enables all circuitry. If the heavy capacitance side has not yet risen above about 70% of supply, the device determines this as low, and briefly turns on the fall time accelerators to propagate a low. Once the fall time accelerator has timed out, the signals rise and sit idle high.

This phenomenon can be eliminated by holding the OE pin low (disabled) until all supplies and busses have ramped up, since this explicitly disables the bus acceleration circuitry until the bus has completed power up. Slower supply ramps also help reduce this since the bus voltage follows the supply closer if the ramp is slow.

9.2.3 Application Curve

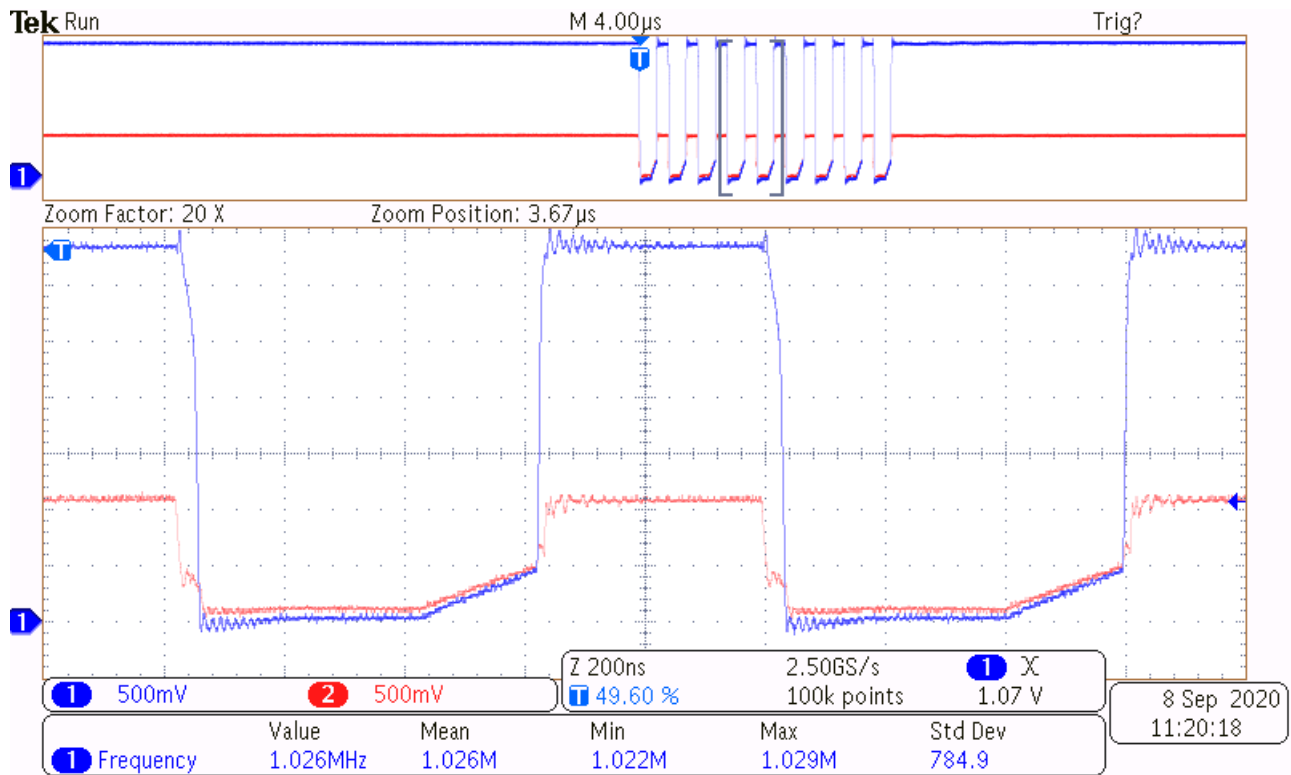


Figure 9-2. Level-Translation of a 1-MHz Signal

10 Power Supply Recommendations

The TCA9416 has no supply restrictions outside of the 1.08 V to 3.6 V range. V_{CCA} can be higher than or lower than V_{CCB} . The internal circuitry will select the appropriate supply automatically to correctly support translation. V_{CCA} can also be the same as V_{CCB} , and the device can be used as a buffer.

The sequencing of each power supply does not damage the device during the power up operation, so either power supply can be ramped up first. The output-enable (OE) input circuit is designed so that when the (OE) input is low, the outputs are disabled. No signals may propagate, and the rise time and fall time accelerators are disabled, but the internal pull up resistors will remain unaffected. To make sure the signals do not pass through during power up or power down, the OE input pin must be tied to GND through a pull down resistor and should not be enabled until V_{CCA} and V_{CCB} are fully ramped and stable. If OE is tied to V_{CCA} , this is OK, but might result in a glitch on the bus during power up depending on the capacitive load and ramp rates. The minimum value of the pull down resistor to ground is determined by the current-sourcing capability of the driver.

11 Layout

11.1 Layout Guidelines

For reliability of the device, the following common printed-circuit board layout guidelines are recommended:

1. Bypass capacitors should be used on power supplies and should be placed as close as possible to the V_{CCA} , V_{CCB} pin, and G_{ND} pin.
2. Short trace lengths should be used to avoid excessive loading.
3. Keep SCL and SDA lengths close to prevent skewing the signals.
4. PCB signal trace-lengths must be kept short enough so that the round-trip delay of any reflection is less than the one-shot duration, approximately 30 ns. Making sure that any reflection encounters low impedance at the source driver.

11.2 Layout Example

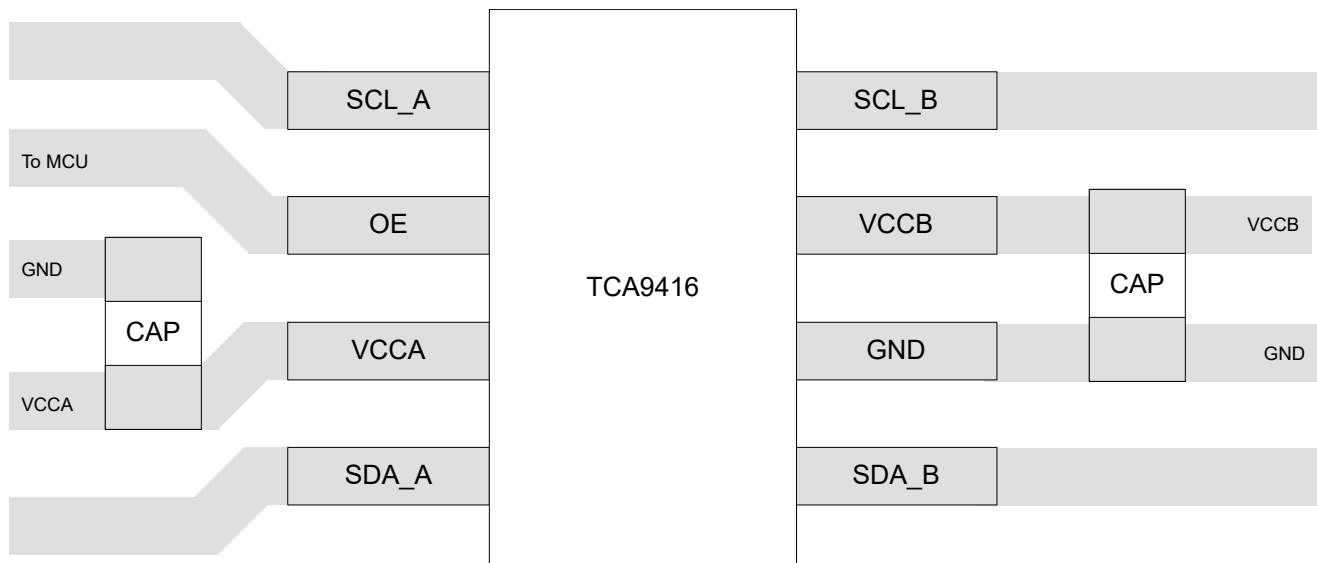


Figure 11-1. TCA9416 Layout Example (DDF)

12 Device and Documentation Support

12.1 Receiving Notification of Documentation Updates

To receive notification of documentation updates, navigate to the device product folder on ti.com. Click on *Subscribe to updates* to register and receive a weekly digest of any product information that has changed. For change details, review the revision history included in any revised document.

12.2 Support Resources

[TI E2E™ support forums](#) are an engineer's go-to source for fast, verified answers and design help — straight from the experts. Search existing answers or ask your own question to get the quick design help you need.

Linked content is provided "AS IS" by the respective contributors. They do not constitute TI specifications and do not necessarily reflect TI's views; see TI's [Terms of Use](#).

12.3 Trademarks

TI E2E™ is a trademark of Texas Instruments.

All trademarks are the property of their respective owners.

12.4 Electrostatic Discharge Caution



This integrated circuit can be damaged by ESD. Texas Instruments recommends that all integrated circuits be handled with appropriate precautions. Failure to observe proper handling and installation procedures can cause damage.

ESD damage can range from subtle performance degradation to complete device failure. Precision integrated circuits may be more susceptible to damage because very small parametric changes could cause the device not to meet its published specifications.

12.5 Glossary

[TI Glossary](#) This glossary lists and explains terms, acronyms, and definitions.

Mechanical, Packaging, and Orderable Information

The following pages include mechanical, packaging, and orderable information. This information is the most current data available for the designated devices. This data is subject to change without notice and revision of this document. For browser-based versions of this data sheet, refer to the left-hand navigation.

PACKAGING INFORMATION

Orderable Device	Status (1)	Package Type	Package Drawing	Pins	Package Qty	Eco Plan (2)	Lead finish/ Ball material (6)	MSL Peak Temp (3)	Op Temp (°C)	Device Marking (4/5)	Samples
TCA9416DDFR	ACTIVE	SOT-23-THIN	DDF	8	3000	RoHS & Green	NIPDAU	Level-1-260C-UNLIM	-40 to 125	2JGF	Samples
TCA9416DTMR	ACTIVE	X2SON	DTM	8	5000	RoHS & Green	NIPDAU NIPDAUAG	Level-1-260C-UNLIM	-40 to 125	LC	Samples

(1) The marketing status values are defined as follows:

ACTIVE: Product device recommended for new designs.

LIFEBUY: TI has announced that the device will be discontinued, and a lifetime-buy period is in effect.

NRND: Not recommended for new designs. Device is in production to support existing customers, but TI does not recommend using this part in a new design.

PREVIEW: Device has been announced but is not in production. Samples may or may not be available.

OBSOLETE: TI has discontinued the production of the device.

(2) **RoHS:** TI defines "RoHS" to mean semiconductor products that are compliant with the current EU RoHS requirements for all 10 RoHS substances, including the requirement that RoHS substance do not exceed 0.1% by weight in homogeneous materials. Where designed to be soldered at high temperatures, "RoHS" products are suitable for use in specified lead-free processes. TI may reference these types of products as "Pb-Free".

RoHS Exempt: TI defines "RoHS Exempt" to mean products that contain lead but are compliant with EU RoHS pursuant to a specific EU RoHS exemption.

Green: TI defines "Green" to mean the content of Chlorine (Cl) and Bromine (Br) based flame retardants meet JS709B low halogen requirements of <=1000ppm threshold. Antimony trioxide based flame retardants must also meet the <=1000ppm threshold requirement.

(3) MSL, Peak Temp. - The Moisture Sensitivity Level rating according to the JEDEC industry standard classifications, and peak solder temperature.

(4) There may be additional marking, which relates to the logo, the lot trace code information, or the environmental category on the device.

(5) Multiple Device Markings will be inside parentheses. Only one Device Marking contained in parentheses and separated by a "~" will appear on a device. If a line is indented then it is a continuation of the previous line and the two combined represent the entire Device Marking for that device.

(6) Lead finish/Ball material - Orderable Devices may have multiple material finish options. Finish options are separated by a vertical ruled line. Lead finish/Ball material values may wrap to two lines if the finish value exceeds the maximum column width.

Important Information and Disclaimer:The information provided on this page represents TI's knowledge and belief as of the date that it is provided. TI bases its knowledge and belief on information provided by third parties, and makes no representation or warranty as to the accuracy of such information. Efforts are underway to better integrate information from third parties. TI has taken and continues to take reasonable steps to provide representative and accurate information but may not have conducted destructive testing or chemical analysis on incoming materials and chemicals. TI and TI suppliers consider certain information to be proprietary, and thus CAS numbers and other limited information may not be available for release.

In no event shall TI's liability arising out of such information exceed the total purchase price of the TI part(s) at issue in this document sold by TI to Customer on an annual basis.

TAPE AND REEL INFORMATION

QUADRANT ASSIGNMENTS FOR PIN 1 ORIENTATION IN TAPE

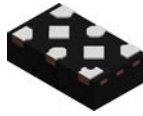

*All dimensions are nominal

Device	Package Type	Package Drawing	Pins	SPQ	Reel Diameter (mm)	Reel Width W1 (mm)	A0 (mm)	B0 (mm)	K0 (mm)	P1 (mm)	W (mm)	Pin1 Quadrant
TCA9416DDFR	SOT-23-THIN	DDF	8	3000	180.0	8.4	3.2	3.2	1.4	4.0	8.0	Q3
TCA9416DTMR	X2SON	DTM	8	5000	180.0	9.5	0.93	1.49	0.43	2.0	8.0	Q1
TCA9416DTMR	X2SON	DTM	8	5000	178.0	8.4	0.93	1.49	0.43	2.0	8.0	Q1

TAPE AND REEL BOX DIMENSIONS


*All dimensions are nominal

Device	Package Type	Package Drawing	Pins	SPQ	Length (mm)	Width (mm)	Height (mm)
TCA9416DDFR	SOT-23-THIN	DDF	8	3000	210.0	185.0	35.0
TCA9416DTMR	X2SON	DTM	8	5000	189.0	185.0	36.0
TCA9416DTMR	X2SON	DTM	8	5000	205.0	200.0	33.0

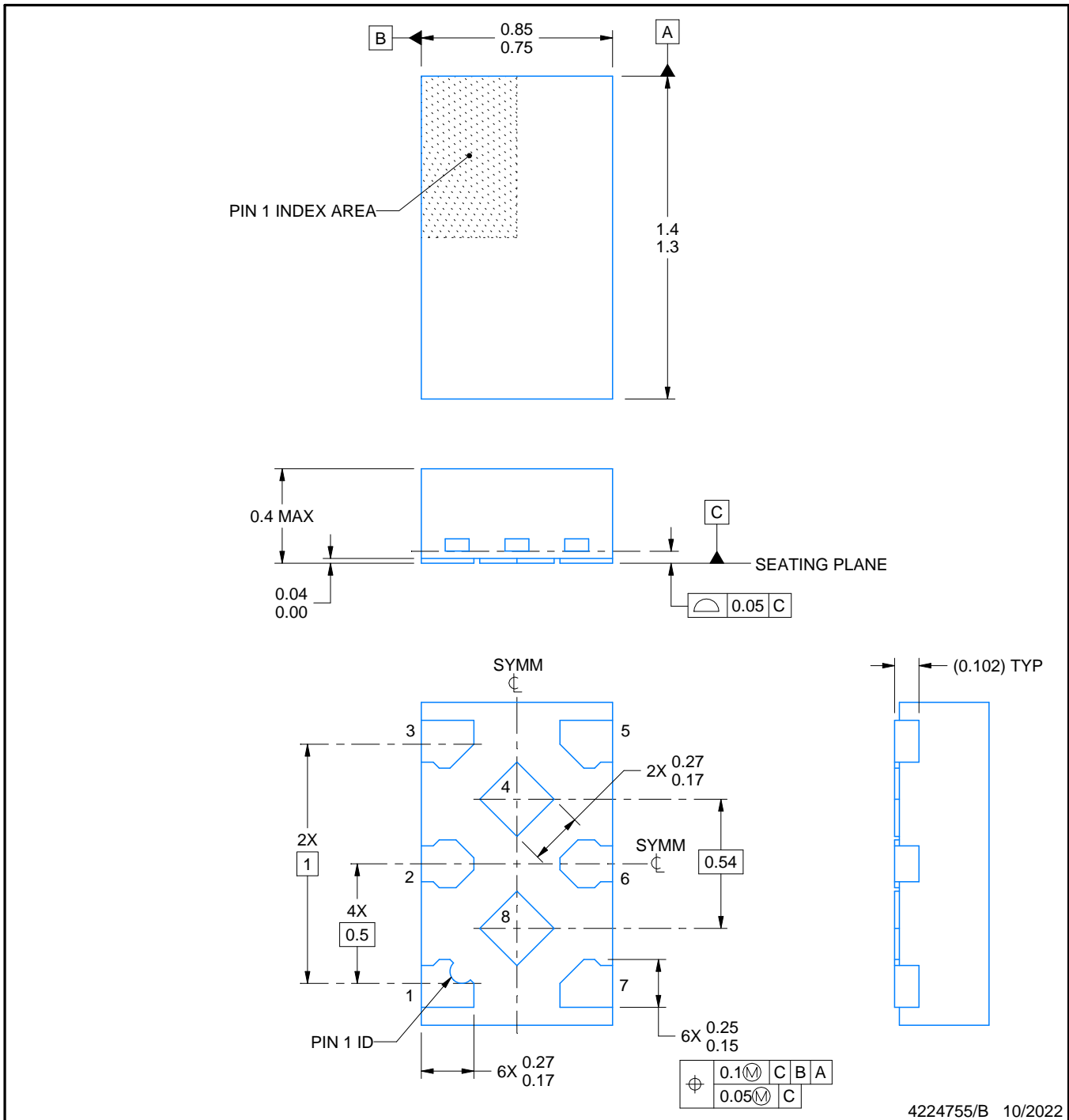


DTM0008A

PACKAGE OUTLINE

X2SON - 0.4 mm max height

PLASTIC SMALL OUTLINE - NO LEAD



NOTES:

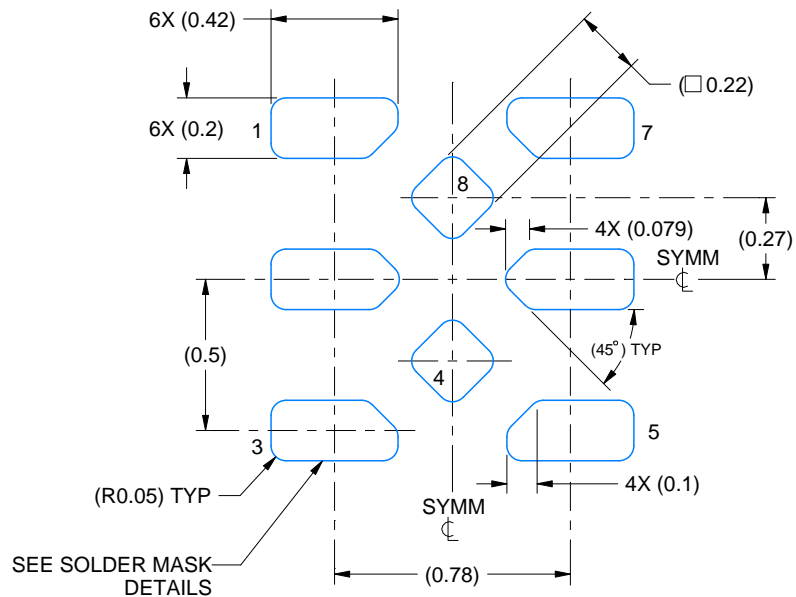
1. All linear dimensions are in millimeters. Any dimensions in parenthesis are for reference only. Dimensioning and tolerancing per ASME Y14.5M.
2. This drawing is subject to change without notice.
3. The package thermal pad(s) must be soldered to the printed circuit board for thermal and mechanical performance.

EXAMPLE BOARD LAYOUT

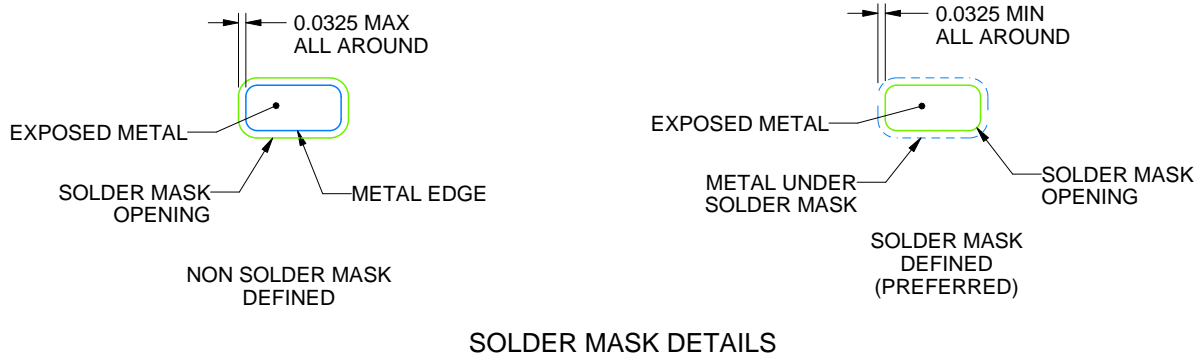
DTM0008A

X2SON - 0.4 mm max height

PLASTIC SMALL OUTLINE - NO LEAD



LAND PATTERN EXAMPLE
EXPOSED METAL SHOWN
SCALE:40X



SOLDER MASK DETAILS

4224755/B 10/2022

NOTES: (continued)

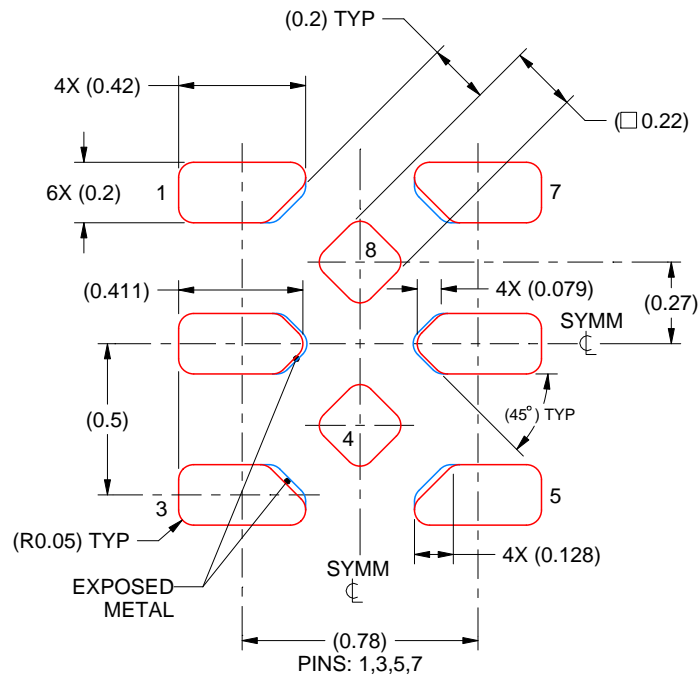
- This package is designed to be soldered to a thermal pad on the board. For more information, see Texas Instruments literature number SLUA271 (www.ti.com/lit/slua271).

EXAMPLE STENCIL DESIGN

DTM0008A

X2SON - 0.4 mm max height

PLASTIC SMALL OUTLINE - NO LEAD



SOLDER PASTE EXAMPLE
BASED ON 0.075 mm THICK STENCIL
SCALE: 40X

4224755/B 10/2022

5. Laser cutting apertures with trapezoidal walls and rounded corners may offer better paste release. IPC-7525 may have alternate design recommendations.

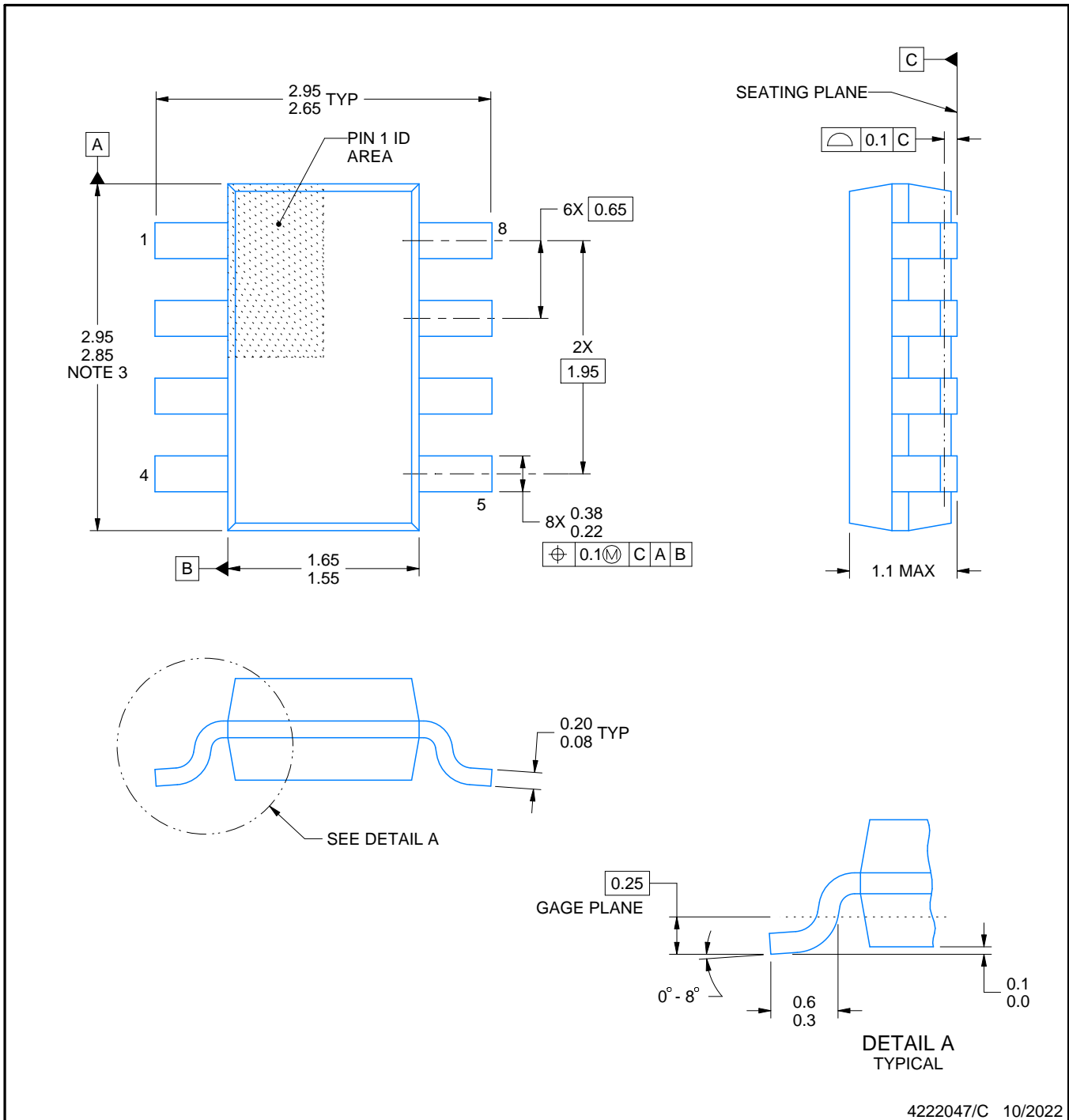


DDF0008A

PACKAGE OUTLINE

SOT-23 - 1.1 mm max height

PLASTIC SMALL OUTLINE



4222047/C 10/2022

NOTES:

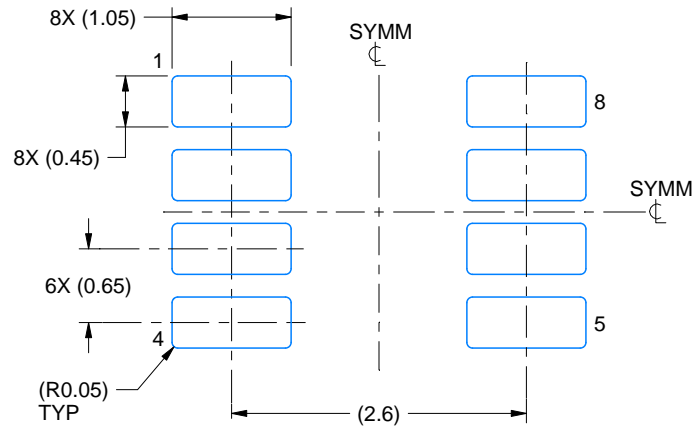
1. All linear dimensions are in millimeters. Any dimensions in parenthesis are for reference only. Dimensioning and tolerancing per ASME Y14.5M.
2. This drawing is subject to change without notice.
3. This dimension does not include mold flash, protrusions, or gate burrs. Mold flash, protrusions, or gate burrs shall not exceed 0.15 mm per side.

EXAMPLE BOARD LAYOUT

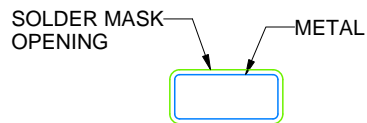
DDF0008A

SOT-23 - 1.1 mm max height

PLASTIC SMALL OUTLINE



LAND PATTERN EXAMPLE
SCALE:15X



NON SOLDER MASK
DEFINED



SOLDER MASK
DEFINED

SOLDER MASK DETAILS

4222047/C 10/2022

NOTES: (continued)

- 4. Publication IPC-7351 may have alternate designs.
- 5. Solder mask tolerances between and around signal pads can vary based on board fabrication site.

EXAMPLE STENCIL DESIGN

DDF0008A

SOT-23 - 1.1 mm max height

PLASTIC SMALL OUTLINE



SOLDER PASTE EXAMPLE
BASED ON 0.125 mm THICK STENCIL
SCALE:15X

4222047/C 10/2022

NOTES: (continued)

6. Laser cutting apertures with trapezoidal walls and rounded corners may offer better paste release. IPC-7525 may have alternate design recommendations.
7. Board assembly site may have different recommendations for stencil design.

IMPORTANT NOTICE AND DISCLAIMER

TI PROVIDES TECHNICAL AND RELIABILITY DATA (INCLUDING DATA SHEETS), DESIGN RESOURCES (INCLUDING REFERENCE DESIGNS), APPLICATION OR OTHER DESIGN ADVICE, WEB TOOLS, SAFETY INFORMATION, AND OTHER RESOURCES "AS IS" AND WITH ALL FAULTS, AND DISCLAIMS ALL WARRANTIES, EXPRESS AND IMPLIED, INCLUDING WITHOUT LIMITATION ANY IMPLIED WARRANTIES OF MERCHANTABILITY, FITNESS FOR A PARTICULAR PURPOSE OR NON-INFRINGEMENT OF THIRD PARTY INTELLECTUAL PROPERTY RIGHTS.

These resources are intended for skilled developers designing with TI products. You are solely responsible for (1) selecting the appropriate TI products for your application, (2) designing, validating and testing your application, and (3) ensuring your application meets applicable standards, and any other safety, security, regulatory or other requirements.

These resources are subject to change without notice. TI grants you permission to use these resources only for development of an application that uses the TI products described in the resource. Other reproduction and display of these resources is prohibited. No license is granted to any other TI intellectual property right or to any third party intellectual property right. TI disclaims responsibility for, and you will fully indemnify TI and its representatives against, any claims, damages, costs, losses, and liabilities arising out of your use of these resources.

TI's products are provided subject to [TI's Terms of Sale](#) or other applicable terms available either on [ti.com](https://www.ti.com) or provided in conjunction with such TI products. TI's provision of these resources does not expand or otherwise alter TI's applicable warranties or warranty disclaimers for TI products.

TI objects to and rejects any additional or different terms you may have proposed.

Mailing Address: Texas Instruments, Post Office Box 655303, Dallas, Texas 75265
Copyright © 2023, Texas Instruments Incorporated