

## Features

- Atmel® maXTouch™ Touchscreen
  - True 12-bit multiple touch with independent XY tracking for up to 10 concurrent touches in real time with touch size reporting
- Number of Channels
  - 1 Touchscreen up to 224 channels
  - Electrode grid configurations of 16 – 22 X and 8 – 14 Y lines (subject to 30 lines total)
- Zero Additional Part Count
  - 16X by 14Y, 17X by 13Y, 18X by 12Y, 19X by 11Y and 20X by 10Y matrix sizes implementable with power bypass capacitors only
- Signal Processing
  - Advanced digital filtering using hardware and firmware for better noise removal
  - Auto drift compensation
  - Fast start-up and self-calibration
  - Down-scaling and clipping support to match LCD resolution
  - Touch suppression algorithms to remove unintentional touches
  - Palm touch recovery algorithm for quick restoration to normal state
  - Supports axis flipping and axis switch-over for portrait and landscape modes
- Environmental Conditions
  - Operating temperature –40°C to +85°C for use in a wide range of climates
- Unambiguous Multitouch Performance
  - Advanced algorithms facilitate exceptional user experience
- Scan Speed
  - Maximum single touch >180 Hz, subject to configuration
  - Configurable to allow power/speed optimization
  - Programmable timeout for automatic transition from active to idle states
- Response Times
  - Initial latency <10 ms for first touch from idle, subject to configuration
- Sensors
  - Works with PET or glass sensors, including curved profiles
  - Works with all proprietary sensor patterns recommended by Atmel
  - Supports gloved operation with various materials up to 2 mm thickness
- Interface
  - I<sup>2</sup>C-compatible slave mode 400 kHz
- Dual-rail Power
  - Digital 2.7 V to 3.3 V nominal, Analog 2.7 V to 3.3 V nominal
- Package
  - 48-pin TQFP 7 × 7 × 1 mm, 0.5 mm pin pitch



## maXTouch 224-channel Touchscreen Sensor IC

## mXT224E-AT Automotive

maXTouch™

9792CX-AT42-02/13



# 1. Overview of the mXT224E-AT

## 1.1 Introduction

The Atmel maXTouch family of touch controllers has set a new industry benchmark for capacitive touchscreens with their low current consumption, fast response time and high levels of accuracy. The mXT224E-AT builds on this success to provide a greatly improved user experience:

- **Patented capacitive sensing method** – The mXT224E-AT uses a unique charge-transfer acquisition engine to implement the QMatrix® capacitive sensing method patented by Atmel. This allows the measurement of up to 224 mutual capacitance nodes in under 1 ms. Coupled with a state-of-the-art CPU, the entire touchscreen sensing solution can measure, classify and track a single finger touch every 4 ms if required.
- **Capacitive Touch Engine (CTE)** – The acquisition engine uses an optimal measurement approach to ensure almost complete immunity from parasitic capacitance on the receiver inputs (Y lines). The engine includes sufficient dynamic range to cope with touchscreen mutual capacitances spanning 0.32 pF to 5 pF. This allows great flexibility for use with the Atmel proprietary ITO pattern designs. One and two layer ITO sensors are possible using glass or PET substrates.
- **Processing power** – The main CPU has two powerful, yet low power, microsequencer coprocessors under its control. These combine to allow the signal acquisition, preprocessing, postprocessing and housekeeping to be partitioned in an efficient and flexible way. This gives ample scope for sensing algorithms, touch tracking or advanced shape-based filtering. An in-circuit reflash can be performed over the hardware-driven two-wire interface (I<sup>2</sup>C-compatible).
- **Noise filtering improvements** – The maXTouch solution already copes well with LCD noise and RF noise, but operational enhancements allow the mXT224E-AT to cope even better with severe noise.
- **Enhanced user experience** – Atmel's mutual capacitance method provides unambiguous multitouch performance and algorithmic enhancements in the mXT224E-AT give an even better user experience. Hysteresis algorithms ensure that where a light touch is applied this is reported as a continuous touch, even when close to the touch threshold level, to prevent jitter on the screen. Algorithms also ensure that an on-screen cursor is stationary after the touch is removed, or remains on the edge of the visible area after a drag gesture.
- **Interpreting user intention** – Additions to the Object Protocol give the mXT224E-AT enhanced signal processing capabilities. Stylus support allows stylus touches to be detected and distinguished from other touches, such as finger touches. The suppression of unintentional touches from gripping fingers, resting palm, or touching cheek or ear also help ensure that the user intentions are correctly interpreted.
- **Environmental conditions** – The mXT224E-AT brings improved performance in harsh environmental conditions. The robust mutual capacitance measurement method means that the mXT224E-AT works well in the presence of moisture. An operating temperature as low as –40°C allows user designs to be used in the coldest of environments. In addition, a high signal-to-noise ratio allows the design to be used with gloves for easy operation in cold environments, during sport or in a workshop.

Overall, the mXT224E-AT represents a step improvement over competing technologies. Its near optimal mix of low power, small size and low part count, coupled with unrivalled true multitouch performance ensures that the mXT224E-AT is set to take capacitive sensing to the next level.

## 1.2 Understanding Unfamiliar Concepts

If some of the concepts mentioned in this datasheet are unfamiliar, see the following sections for more information:

- [Appendix B on page 37](#) for a glossary of terms
- [Appendix C on page 38](#) for QMatrix technology
- [Appendix D on page 40](#) for I<sup>2</sup>C-compatible operation

## 1.3 Resources

The following datasheet provides essential information on configuring the mXT224E-AT:

- *mXT224E Protocol Guide*

The mXT224E-AT uses the same core technology as the mXT224, so the following documents may also be useful (available by contacting the Atmel Touch Technology division):

- **Configuring the mXT224E-AT:**
  - Application Note QTAN0058 – *Rejecting Unintentional Touches with the maXTouch Touchscreen Controllers*
  - Application Note QTAN0050 – *Using the maXTouch Debug Port*
  - Application Note QTAN0059 – *Using the maXTouch Self Test Feature*
  - Application Note QTAN0078 – *maXTouch Stylus Tuning*
- **Touchscreen design and PCB/FPCB layout guidelines:**
  - Application Note QTAN0054 – *Getting Started with maXTouch Touchscreen Designs*
  - Application Note QTAN0048 – *maXTouch PCB/FPCB Layout Guidelines*
  - Application Note QTAN0080 – *Touchscreens Sensor Design Guide*
- **Bootloading:**
  - Application Note QTAN0051 – *Bootloading Procedure for Atmel® Touch Sensors Based on the Object Protocol*
- **Miscellaneous:**
  - Application Note QTAN0061 – *maXTouch™ Sensitivity Effects for Mobile Devices*

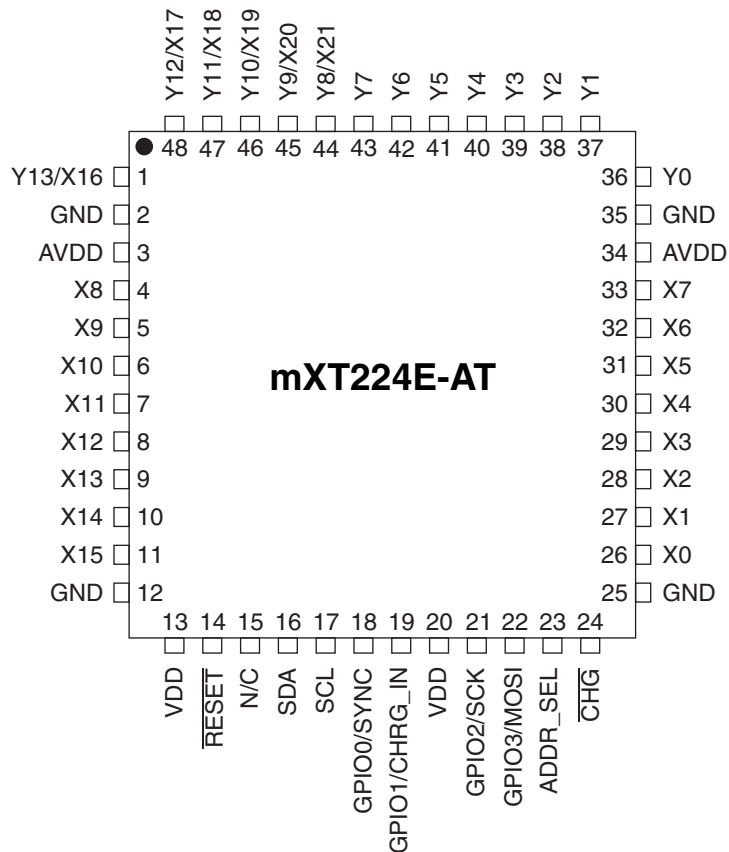
## 1.4 Automotive Quality Grade

This datasheet contains limit values extracted from the results of extensive characterization (Temperature and Voltage). The quality and reliability of the mXT224E-AT have been verified during regular product qualification as per AEC-Q100 grade 3 (-40°C to +85°C).

## 2. Pinout and Schematic

### 2.1 Pinout Configuration

#### 2.1.1 48-pin TQFP



## 2.2 Pinout Description

Table 2-1. Pin Listing

Pin	Name	Type	Comments	If Unused, Connect To...
1	Y13/X16	I/O	Y line connection or X line in extended mode	Leave open
2	GND	P	Ground	–
3	AVDD	P	Analog power	–
4	X8	O	X matrix drive line	Leave open
5	X9	O	X matrix drive line	Leave open
6	X10	O	X matrix drive line	Leave open
7	X11	O	X matrix drive line	Leave open
8	X12	O	X matrix drive line	Leave open
9	X13	O	X matrix drive line	Leave open
10	X14	O	X matrix drive line	Leave open
11	X15	O	X matrix drive line	Leave open
12	GND	P	Ground	–
13	VDD	P	Digital power	–
14	$\overline{\text{RESET}}$	I	Reset low; has internal 20 k $\Omega$ to 60 k $\Omega$ pull-up resistor	Vdd
15	NC	–	No connection	Leave open
16	SDA	OD	Serial Interface Data	–
17	SCL	OD	Serial Interface Clock	–
18	GPIO0/ SYNC	I/O	General purpose I/O External synchronization	Input: GND Output: leave open
19	GPIO1/ CHRG_IN	I/O	General purpose I/O Charger present input	Input: GND Output: leave open
20	VDD	P	Digital power	–
21	GPIO2/ SCK	I/O	General purpose I/O / Debug clock	Input: GND Output: leave open
22	GPIO3/ MOSI	I/O	General purpose I/O / Debug data	Input: GND Output: leave open
23	ADDR_SEL	I	I <sup>2</sup> C-compatible address select	–
24	$\overline{\text{CHG}}^{(1)}$	OD	State change interrupt	–
25	GND	P	Ground	–
26	X0	O	X matrix drive line	Leave open
27	X1	O	X matrix drive line	Leave open
28	X2	O	X matrix drive line	Leave open
29	X3	O	X matrix drive line	Leave open
30	X4	O	X matrix drive line	Leave open
31	X5	O	X matrix drive line	Leave open
32	X6	O	X matrix drive line	Leave open

**Table 2-1. Pin Listing (Continued)**

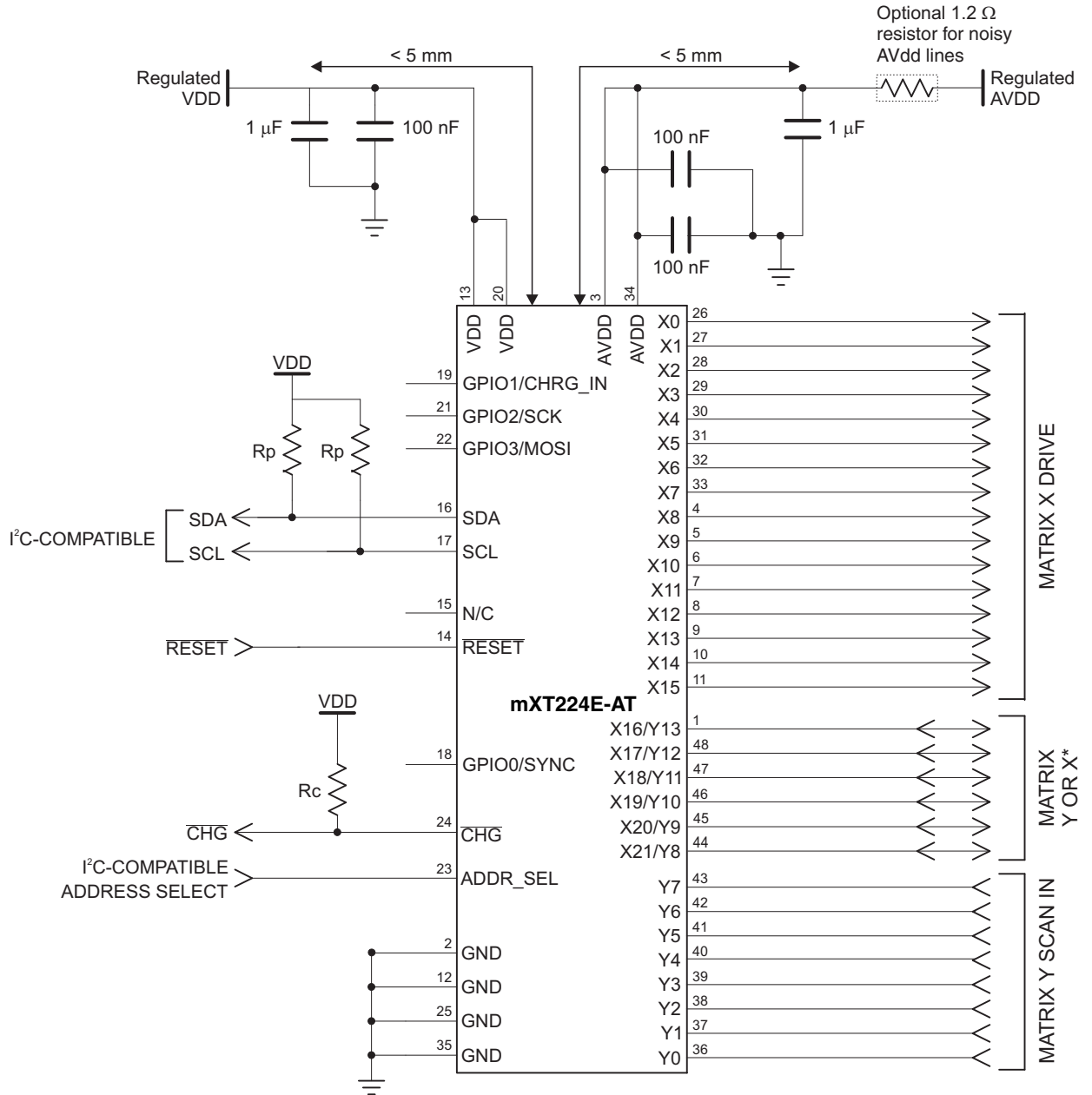
Pin	Name	Type	Comments	If Unused, Connect To...
33	X7	O	X matrix drive line	Leave open
34	AVDD	P	Analog power	–
35	GND	P	Ground	–
36	Y0	I	Y line connection	Leave open
37	Y1	I	Y line connection	Leave open
38	Y2	I	Y line connection	Leave open
39	Y3	I	Y line connection	Leave open
40	Y4	I	Y line connection	Leave open
41	Y5	I	Y line connection	Leave open
42	Y6	I	Y line connection	Leave open
43	Y7	I	Y line connection	Leave open
44	Y8/X21	I/O	Y line connection or X line in extended mode	Leave open
45	Y9/X20	I/O	Y line connection or X line in extended mode	Leave open
46	Y10/X19	I/O	Y line connection or X line in extended mode	Leave open
47	Y11/X18	I/O	Y line connection or X line in extended mode	Leave open
48	Y12/X17	I/O	Y line connection or X line in extended mode	Leave open

1.  $\overline{\text{CHG}}$  is momentarily set (approximately 100 ms) as an input after power-up or reset for diagnostic purposes.

I	Input only	I/O	Input and output
O	Output only, push-pull	OD	Open drain output
P	Ground or power		

2.3 Schematic

NOTE: Bypass capacitors must be X7R or X5R and placed <5 mm from chip.



\* NOTE: Y8 to Y13 scan lines may be used as additional X drive lines in extended mode. A 100Ω resistor must be added to X20 (Y9) and X21 (Y8) lines if used as X lines.

## 3. Touchscreen Basics

### 3.1 Sensor Construction

A touchscreen is usually constructed from a number of transparent electrodes. These are typically on a glass or plastic substrate. They can also be made using non-transparent electrodes, such as copper or carbon. Electrodes are normally formed by etching a material called Indium Tin Oxide (ITO). This is a brittle ceramic material, of high optical clarity and varying sheet resistance. Thicker ITO yields lower levels of resistance (perhaps tens to hundreds of  $\Omega$ /square) at the expense of reduced optical clarity. Lower levels of resistance are generally more compatible with capacitive sensing. Thinner ITO leads to higher levels of resistance (perhaps hundreds to thousands of  $\Omega$ /square) with some of the best optical characteristics.

Long thin features, such as interconnecting tracks, formed in ITO, can cause problems. The excessive RC time constants formed between the resistance of the track and the capacitance of the electrode to ground can inhibit the capacitive sensing function. In such cases, ITO tracks should be replaced by screen printed conductive inks (non-transparent) outside the touchscreen viewing area.

A range of trade-offs also exist with regard to the number of layers used for construction. Atmel has pioneered single-layer ITO capacitive touchscreens. For many applications these offer a near optimum cost/performance balance. With a single layer screen, the electrodes are all connected using ITO out to the edges of the sensor. From there the connection is picked up with printed silver tracks. Sometimes two overprinted silver tracking layers are used to reduce the margins between the edge of the substrate and the active area of the sensor.

Two-layer designs can have a strong technical appeal where ultra-narrow edge margins are required. They are also an advantage where the capacitive sensing function needs to have a very precise cut-off as a touch is moved to just off the active sensor area. With a two-layer design the QMatrix transmitter electrodes are normally placed nearest the bottom and the receiver electrodes nearest the top. The separation between layers can range from hundreds of nanometers to hundreds of microns, with the right electrode design and considerations of the sensing environment.

### 3.2 Electrode Configuration

The specific electrode designs used in the Atmel touchscreens are the subject of various patents and patent applications. Further information is available on request.

The mXT224E-AT supports various configurations of electrodes as summarized below:

Touchscreens: 1 Touchscreens allowed  
3X × 3Y minimum (depends on screen resolution)  
Native mode: 16X × 14Y maximum (subject to other configurations)  
Extended modes: 17X × 13Y, 18X × 12Y, 19X × 11Y, 20X × 10Y,  
21X × 9Y<sup>(1)</sup>, 22X × 8Y<sup>(1)</sup> maximum

1. Requires 100 $\Omega$  resistor



### 3.3 Scanning Sequence

All channels are scanned in sequence by the mXT224E-AT. There is full parallelism in the scanning sequence to improve overall response time. The channels are scanned by measuring capacitive changes at the intersections formed between the first X line and all the Y lines. Then the intersections between the next X line and all the Y lines are scanned, and so on, until all X and Y combinations have been measured.

The device can be configured in various ways. It is possible to disable some channels so that they are not scanned at all. This can be used to improve overall scanning time.

### 3.4 Touchscreen Sensitivity

#### 3.4.1 Adjustment

Sensitivity of touchscreens can vary across the extents of the electrode pattern due to natural differences in the parasitics of the interconnections, control chip, and so on. An important factor in the uniformity of sensitivity is the electrode design itself. It is a natural consequence of a touchscreen pattern that the edges form a discontinuity and hence tend to have a different sensitivity. The electrodes at the far edges do not have a neighboring electrode on one side and this affects the electric field distribution in that region.

A sensitivity adjustment is available for the whole touchscreen. This adjustment is a basic algorithmic threshold that defines when a channel is considered to have enough signal change to qualify as being in detect.

#### 3.4.2 Mechanical Stackup

The mechanical stackup refers to the arrangement of material layers that exist above and below a touchscreen. The arrangement of the touchscreen in relation to other parts of the mechanical stackup has an effect on the overall sensitivity of the screen. QMatrix technology has an excellent ability to operate in the presence of ground planes close to the sensor. QMatrix sensitivity is attributed more to the interaction of the electric fields between the transmitting (X) and receiving (Y) electrodes than to the surface area of these electrodes. For this reason, stray capacitance on the X or Y electrodes does not strongly reduce sensitivity.

Front panel dielectric material has a direct bearing on sensitivity. Plastic front panels are usually suitable up to about 1.2 mm, and glass up to about 2.5 mm (dependent upon the screen size and layout). The thicker the front panel, the lower the signal-to-noise ratio of the measured capacitive changes and hence the lower the resolution of the touchscreen. In general, glass front panels are near optimal because they conduct electric fields almost twice as easily as plastic panels.

The mXT224E-AT is suitable for various stackup arrangements (see [Table 3-1](#)). In this table, four types of stackup are considered:

- Single layer co-planar construction with metal bridges at crossover points. This can use either a diamond pattern or the Atmel-patented snowflake design.
- Co-planar with a ground shield; that is, a co-planar construction with a separate ground plane on another layer.
- Two layer designs in which the Y sensor is one layer and the X sensor flooded on another layer behind it (as with the Atmel flooded-X style).

Table 3-1 lists the various mechanical stackups and their suitability for use with the mXT224E-AT.

**Table 3-1.** mXT224E-AT Suitability for Various Mechanical Stackups

Display Construction	Mechanical Stackup		
	Co-planar	Co-planar with Shield	Two Layers
<b>OLED, No Air Gap</b>	Yes, but depends on project	Suitable	Suitable
<b>OLED, with Air Gap <math>\leq</math> 0.25 mm</b>	Yes, but depends on project	Suitable	Suitable
<b>LCD, No Air Gap</b>	Not suitable	Suitable	Yes, but depends on project
<b>LCD, with Air Gap <math>\leq</math> 0.25 mm</b>	Not suitable	Suitable	Yes

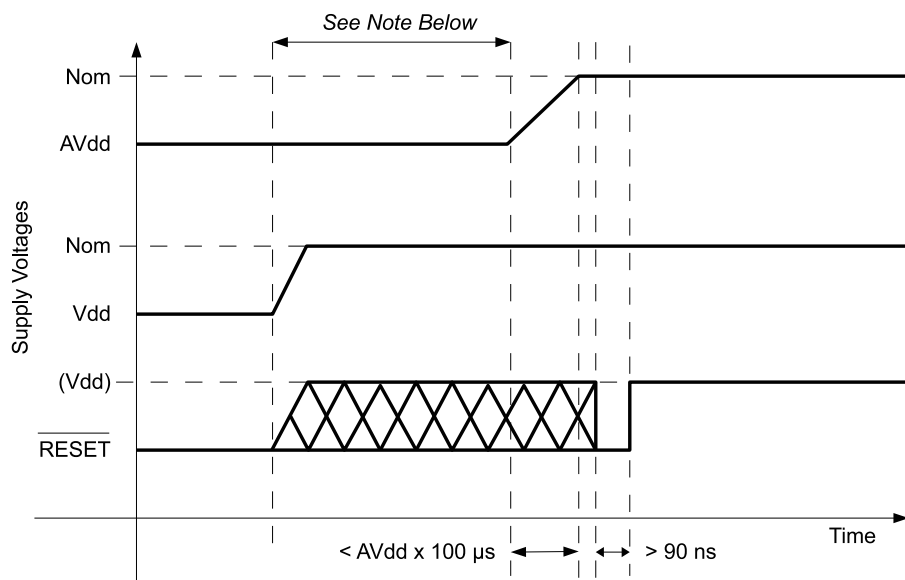
## 4. Detailed Operation

### 4.1 Power-up/Reset

There is an internal Power-on Reset (POR) in the device.

The device must be held in  $\overline{\text{RESET}}$  (active low) while both the digital and analog power supplies (Vdd and AVdd) are powering up. If a slope or slew is applied to the digital or analog supplies, Vdd and AVdd must reach their nominal values before the  $\overline{\text{RESET}}$  signal is deasserted (that is, goes high). This is shown in Figure 4-1. See Section 7.3 on page 27 for nominal values for Vdd and AVdd.

**Figure 4-1.** Power Sequencing on the mXT224E-AT



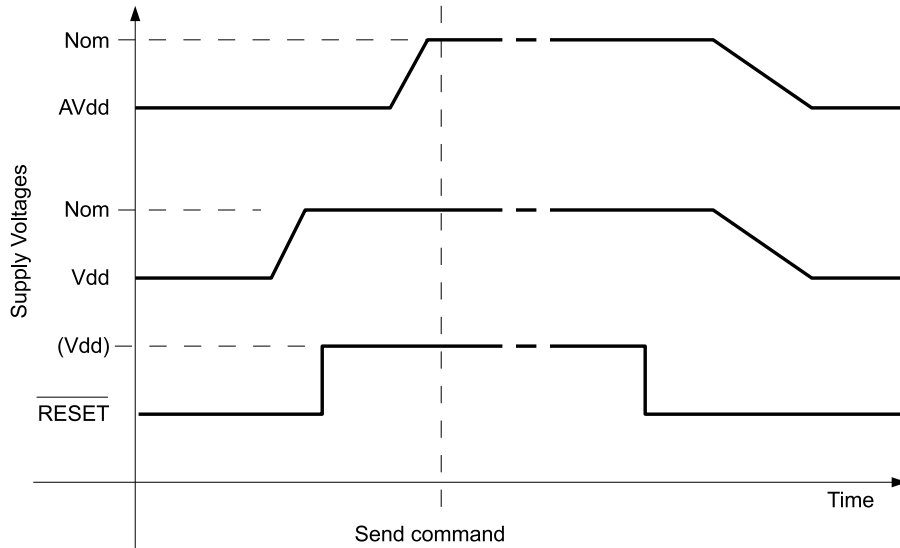
NOTE: Vdd and Avdd can be powered up in either order.  
There is no prerequisite for the length of time between Vdd and AVdd powering up.

Note that there are no specific power-up, or power-down sequences required for the mXT224E-AT. This means that the digital or analog supplies can be applied independently and in any order during power-up without damage to the device. Make sure that any lines connected to the device are below or equal to Vdd during power-up. For example, if  $\overline{\text{RESET}}$  is supplied from a different power domain to the mXT224E-AT Vdd pin, make sure that it is held low when Vdd is off. If this is not done, the  $\overline{\text{RESET}}$  signal could parasitically couple power via the mXT224E-AT  $\overline{\text{RESET}}$  pin into the Vdd supply.

After power-up, the device takes ~21.2 ms before it is ready to start communications. Vdd must drop to below 1V in order to effect a proper POR. See Section 7 for further specifications.

If the  $\overline{\text{RESET}}$  line is released before the AVDD supplies have reached their nominal voltage (see Figure 4-2), then the host should send either a calibration command or a reset command.

**Figure 4-2.** Power Sequencing on the mXT224E-AT – Late rise on AVDD



The  $\overline{\text{RESET}}$  pin can be used to reset the device whenever necessary. The  $\overline{\text{RESET}}$  pin must be asserted low for at least 90 ns to cause a reset. After releasing the  $\overline{\text{RESET}}$  pin the device takes ~21.2 ms before it is ready to start communications. It is recommended to connect the  $\overline{\text{RESET}}$  pin to a host controller to allow it to initiate a full hardware reset without requiring a power-down.

Note that the voltage level on the  $\overline{\text{RESET}}$  pin of the device must never exceed Vdd (digital supply voltage).

A software reset command can be used to reset the chip (refer to the Command Processor T6 object in the *mXT224E Protocol Guide*). A software reset takes ~21.7 ms. After the chip has finished it asserts the  $\overline{\text{CHG}}$  line to signal to the host that a message is available. The reset flag is set in the Command Processor T6 object STATUS message field to indicate to the host that it has just completed a reset cycle. This bit can be used by the host to detect any unexpected brownout events. This allows the host to take any necessary corrective actions, such as reconfiguration.

A checksum check is performed on the configuration settings held in the nonvolatile memory. If the checksum does not match a stored copy of the last checksum, then this indicates that the settings have become corrupted. This is signaled to the host by setting the configuration error bit in the message data for the Command Processor T6 object (refer to the *mXT224E Protocol Guide* for more information).

Note that the  $\overline{\text{CHG}}$  line is momentarily set (approximately 100 ms) as an input after power-up or reset for diagnostic purposes. It is therefore particularly important that the line should be allowed to float high via the  $\overline{\text{CHG}}$  line pull-up resistors during this period.

## 4.2 Calibration

Calibration is the process by which the sensor chip assesses the background capacitance on each channel. Channels are only calibrated on power-up and when:

- The channel is enabled (that is, activated).

OR

- The channel is already enabled and one of the following applies:
  - The channel is held in detect for longer than the Touch Automatic Calibration setting (refer to the *mXT224E Protocol Guide* for more information on TCHAUTOCAL setting in the Acquisition Configuration object).
  - The signal delta on a channel is at least the touch threshold (TCHTHR) in the anti-touch direction, while no other touches are present on the channel matrix (refer to the *mXT224E Protocol Guide* for more information on the TCHTHR field in the Multiple Touch Touchscreen object).
  - The user issues a recalibrate command.

A status message is generated on the start and completion of a calibration.

Note that the device performs a global calibration; that is, all the channels are calibrated together.

## 4.3 Sensor Acquisition

The maximum X line acquisition time on the mXT224E-AT is 5 ms. Care should be taken to ensure that the total time for one X line configured by the Acquisition Configuration T8 and CTE Configuration T46 objects does not exceed this.

## 4.4 Operational Modes

The device operates in two modes: active (touch detected) and idle (no touches detected). Both modes operate as a series of burst cycles. Each cycle consists of a short burst (during which measurements are taken) followed by an inactive sleep period. The difference between these modes is the length of the cycles. Those in idle mode typically have longer sleep periods. The cycle length is configured using the IDLEACQINT and ACTVACQINT settings in the Power Configuration object. In addition, an Active to Idle timeout (ACTV2IDLETO) setting is provided.

Refer to the *mXT224E Protocol Guide* for full information on how these modes operate, and how to use the settings provided.

## 4.5 Sensor Layout Modes

The mXT224E-AT has a total of 30 lines, which can be distributed between the X and Y lines. In native mode these are arranged as a matrix of 16X × 14Y lines, giving 224 available channels.

In extended modes, pins Y8 – Y13 can be used as X drivers if required (see [Table 4-1](#)).

**Table 4-1.** Lines in Extended Modes

Y Line	Reassigned to X Line...
Y13	X16
Y12	X17
Y11	X18
Y10	X19
Y9	X20
Y8	X21

This allows for the permutations shown in [Table 4-2](#).

**Table 4-2.** Allocation of X and Y Lines

XY Matrix	Number of Channels	Highest Y Line	Mode
16X × 14Y	224	Y13	Native
17X × 13Y	221	Y12	Extended
18X × 12Y	216	Y11	
19X × 11Y	209	Y10	
20X × 10Y	200	Y9	
21X × 9Y	189	Y8	
22X × 8Y	176	Y7	

In 21X × 9Y and 22X × 8Y extended modes (only), a 100Ω resistor is required in series with each extended X driver (X20 or X21 as applicable). The resistors should be no further than 10 mm from the chip body. They can be 0201 type or larger, 5% 200 ppm / °C or better.

## 4.6 Signal Processing

### 4.6.1 Detection Integrator

The device features a touch detection integration mechanism. This acts to confirm a detection in a robust fashion. A counter is incremented each time a touch has exceeded its threshold and has remained above the threshold for the current acquisition. When this counter reaches a preset limit the sensor is finally declared to be touched. If, on any acquisition, the signal is not seen to exceed the threshold level, the counter is cleared and the process has to start from the beginning.

The detection integrator is configured using the appropriate touch objects (Multiple Touch Touchscreen). Refer to the *mXT224E Protocol Guide* for more information. You may also wish to refer to application note QTAN0049, *mXT224 Power and Speed Considerations*, for more discussion on the touch detection integration (TCHDI) setting.

#### 4.6.2 Digital Filtering and Noise Suppression

The mXT224E-AT supports the on-chip filtering of the acquisition data received from the sensor. Specifically, the Noise Suppression T48 object provides an algorithm to suppress the effects of noise (for example, from a noisy charger plugged into the user product). This algorithm can automatically adjust some of the acquisition parameters on-the-fly to filter the analog-to-digital conversions (ADCs) received from the sensor. The algorithm can make use of a Grass Cutter (which rejects any samples outside a predetermined limit) and a Median Filter (which rejects the highest and lowest sets of accumulated ADCs, leaving the center set).

Noise suppression is triggered when a noise source is detected (typically when a charger is turned on).

A Mean Acquisition Mode can be used for acquisition when the noise suppression algorithm is in its off state. This aids stylus operation, as the quieter reported position gives better linearity.

An alternative burst mode on the X lines, known as Dual X Drive, is provided. This improves the signal-to-noise ratio (SNR) on a closely spaced X sensor matrix (when finger touches are likely to cover more than one X line).

Refer to the *mXT224E Protocol Guide* for more information on the Noise Suppression T48 object.

#### 4.6.3 Stylus Support

The mXT224E-AT allows for the particular characteristics of stylus touches, whilst still allowing conventional finger touches to be detected. Stylus touches are configured by the Stylus T47 object.

For example, stylus support ensures that the small touch area of a stylus registers as a touch, as this would otherwise be considered too small for the touchscreen. Additionally, there are controls to distinguish a stylus touch from an unwanted approaching finger (such as on the hand holding the stylus).

The touch sensitivity and threshold controls for stylus touches are configured separately from those for conventional finger touches so that both types of touches can be accommodated.

#### 4.6.4 Unintentional Touch Suppression

The mXT224E-AT has a mechanism to suppress false detections from unintentional touches from a large body area, such as from a face, ear or palm. Touch suppression is configured using the Touch Suppression T42 object. This object also provides Maximum Touch Suppression to suppress all touches if more than a specified number of touches has been detected. Refer to the *mXT224E Protocol Guide* for more information.

### 4.7 GPIO Pins

The mXT224E-AT has four GPIO pins. These can be set to be either input or output pins, as required. The GPIO pins are configured using the GPIO/PWM Configuration T19 object.

## 4.8 Circuit Components

### 4.8.1 Bypass Capacitors

One 100 nF bypass capacitor and one 1  $\mu$ F bypass capacitor must be used on the Vdd digital supply. Two 100 nF bypass capacitors and one 1  $\mu$ F bypass capacitor must be used on the AVdd analog supply. That is, a total of 5 ceramic X7R or X5R bypass capacitors are needed, as detailed on the schematic in [Section 2.3 on page 7](#). The PCB traces connecting the capacitors to the pins of the device must not exceed 5 mm in length. This limits any stray inductance that would reduce filtering effectiveness. See also [Section 7.9 on page 32](#).

### 4.8.2 PCB Cleanliness

Modern no-clean-flux is generally compatible with capacitive sensing circuits.



**CAUTION:** If a PCB is reworked to correct soldering faults relating to the mXT224E-AT, or to any associated traces or components, be sure that you fully understand the nature of the flux used during the rework process. Leakage currents from hygroscopic ionic residues can stop capacitive sensors from functioning. If you have any doubts, a thorough cleaning after rework may be the only safe option.

### 4.8.3 Supply Quality

The mXT224E-AT has good Power Supply Rejection Ratio properties. Poorly regulated and/or noisy power can significantly reduce performance. See [Section 7.9 on page 32](#).

Always operate the mXT224E-AT with a well-regulated and clean AVdd supply. It supplies the sensitive analog stages in the chip. Refer to QTAN0063, *maXTouch EMC Considerations*, for peak-to-peak noise requirements on this supply.

There is no separate GND return pin for the analog stages. You are advised to consider return current paths from other current consumers in the system. Try to provide a separate heavy GND return trace or flood for the mXT224E-AT that connects at a PSU star-point or connector pin. This helps to avoid inductive transient voltages coupling into the capacitive measurements made by the chip.

Vdd is used internally to power the digital stages in the chip and is far less critical to overall performance. It is still recommended, however, that a low noise supply is used to prevent cross-talk into the analog sections.

### 4.8.4 Oscillator

The device has an internal oscillator. No external oscillator or clock input is required.

## 4.9 Debugging

The mXT224E-AT provides a mechanism for obtaining raw data for development and testing purposes by reading data from the Diagnostic Debug object. Refer to the *mXT224E Protocol Guide* for more information on this object.

A second mechanism is provided that allows the host to read the real-time raw data using the low-level debug port. Refer to QTAN0050, *Using the mXT224 Debug Port*, for more information.

There is also a Self Test object that runs self-test routines in the device to find hardware faults on the sense lines and the electrodes. Refer to the *mXT224E Protocol Guide* and QTAN0059, *Using the mXT224 Self Test Feature*, for more information.



#### **4.10 Configuring the mXT224E-AT**

The mXT224E-AT has an object-based protocol that organizes the features of the device into objects that can be controlled individually. This is configured using the Object Protocol common to many of Atmel touch sensor devices. For more information on the Object Protocol and its implementation on the mXT224E-AT, refer to the *mXT224E Protocol Guide*.

## 5. I<sup>2</sup>C-compatible Communications

### 5.1 Communications Protocol

The mXT224E-AT uses an I<sup>2</sup>C-compatible interface for communication. See [Appendix D on page 40](#) for details of the I<sup>2</sup>C-compatible protocol.

The device presents data packets when internal changes have occurred. The  $\overline{\text{CHG}}$  line going active signifies that a new data packet is available, thus providing an interrupt-style interface.

### 5.2 I<sup>2</sup>C-compatible Addresses

The mXT224E-AT supports two I<sup>2</sup>C-compatible device addresses that are selected using the ADDR\_SEL line at start-up. The two internal I<sup>2</sup>C-compatible device addresses are (ADDR\_SEL low) and (ADDR\_SEL high).

These are shifted left to form the SLA+W or SLA+R address when transmitted over the I<sup>2</sup>C-compatible interface, as shown in [Table 5-1](#).

**Table 5-1.** Format of SLA+W and SLA+R

Bit 7	Bit 6	Bit 5	Bit 4	Bit 3	Bit 2	Bit 1	Bit 0
Address: 0x4A or 0x4B							Read/write

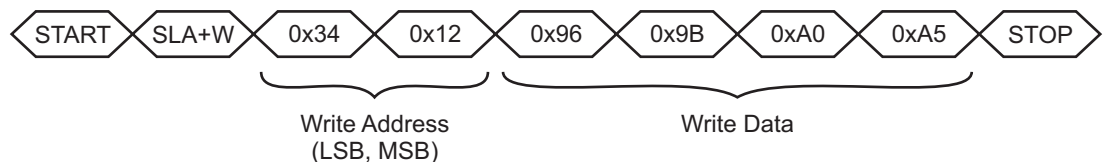
### 5.3 Writing To the Device

A WRITE cycle to the device consists of a START condition followed by the I<sup>2</sup>C-compatible address of the device (SLA+W). The next two bytes are the address of the location into which the writing starts. The first byte is the Least Significant Byte (LSByte) of the address, and the second byte is the Most Significant Byte (MSByte). This address is then stored as the address pointer.

Subsequent bytes in a multibyte transfer form the actual data. These are written to the location of the address pointer, location of the address pointer +1, location of the address pointer + 2, and so on. The address pointer returns to its starting value when the WRITE cycle STOP condition is detected.

[Figure 5-1](#) shows an example of writing four bytes of data to contiguous addresses starting at 0x1234.

**Figure 5-1.** Example of a Four-byte Write Starting at Address 0x1234

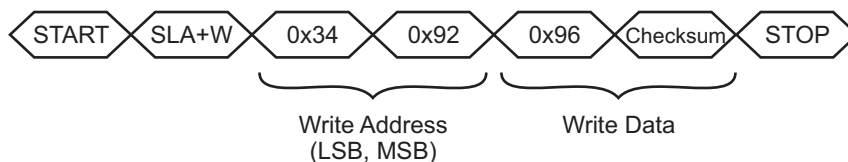


### 5.4 I<sup>2</sup>C-compatible Writes in Checksum Mode

In I<sup>2</sup>C-compatible checksum mode an 8-bit CRC is added to all I<sup>2</sup>C-compatible writes. The CRC is sent at the end of the data write as the last byte before the STOP condition. All the bytes sent are included in the CRC, including the two address bytes. Any command or data sent to the device is processed even if the CRC fails.

To indicate that a checksum is to be sent in the write, the most significant bit of the MSByte of the address is set to 1. For example, the I<sup>2</sup>C-compatible command shown in Figure 5-2 writes a value of 150 (0x96) to address 0x1234 with a checksum. The address is changed to 0x9234 to indicate checksum mode.

**Figure 5-2.** Example of a Write To Address 0x1234 With a Checksum



## 5.5 Reading From the Device

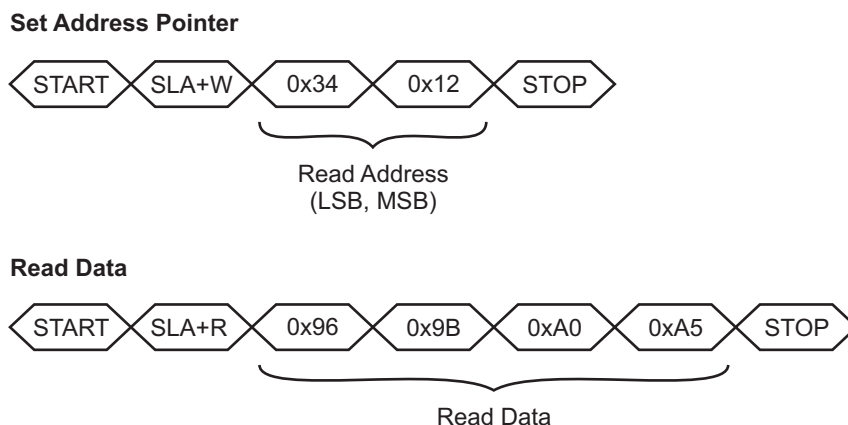
Two I<sup>2</sup>C-compatible bus activities must take place to read from the device. The first activity is an I<sup>2</sup>C-compatible write to set the address pointer (LSByte then MSByte). The second activity is the actual I<sup>2</sup>C-compatible read to receive the data. The address pointer returns to its starting value when the READ cycle NACK is detected.

It is not necessary to set the address pointer before every read. The address pointer is updated automatically after every read operation. The address pointer will be correct if the reads occur in order. In particular, when reading multiple messages from the Message Processor object, the address pointer is automatically reset to allow continuous reads (see Section 5.6).

The WRITE and READ cycles consist of a START condition followed by the I<sup>2</sup>C-compatible address of the device (SLA+W or SLA+R respectively).

Figure 5-3 shows the I<sup>2</sup>C-compatible commands to read four bytes starting at address 0x1234.

**Figure 5-3.** Example of a Four-byte Read Starting at Address 0x1234



## 5.6 Reading Status Messages with DMA

The device facilitates the easy reading of multiple messages using a single continuous read operation. This allows the host hardware to use a direct memory access (DMA) controller for the fast reading of messages, as follows:

1. The host uses a write operation to set the address pointer to the start of the Message Count object, if necessary. <sup>(1)</sup> If a checksum is required on each message, the most significant bit of the MSByte of the read address must be set to 1.
2. The host starts the read operation of the message by sending a START condition.

3. The host reads the Message Count object (one byte) to retrieve a count of the pending messages (refer to the *mXT224E Protocol Guide* for details).
4. The host calculates the number of bytes to read by multiplying the message count by the size of the Message Processor object.<sup>(1)</sup>

Note that the size of the Message Processor object as recorded in the Object Table includes a checksum byte; if a checksum is not required, this should be deducted from the size of the object. That is: number of bytes = count × (size – 1).

5. The host reads the calculated number of message bytes. It is important that the host does *not* send a STOP condition during the message reads, as this will terminate the continuous read operation and reset the address pointer. No START and STOP conditions must be sent between the messages.
6. The host sends a NACK at the end of the read operation after the last message has been read. The NACK resets the address pointer to the start of Message Count object.

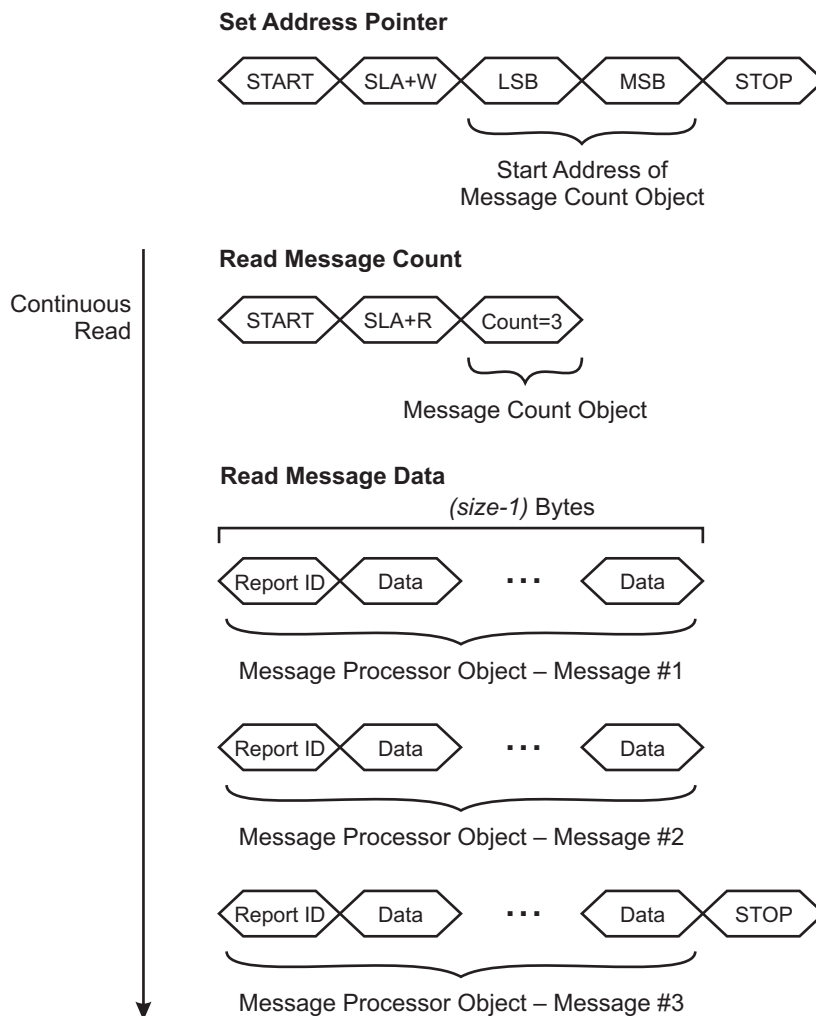
---

1. The NACK at the end of the read resets the address pointer to its initial location, so it may already be pointing at the Message Count object following a previous message read.

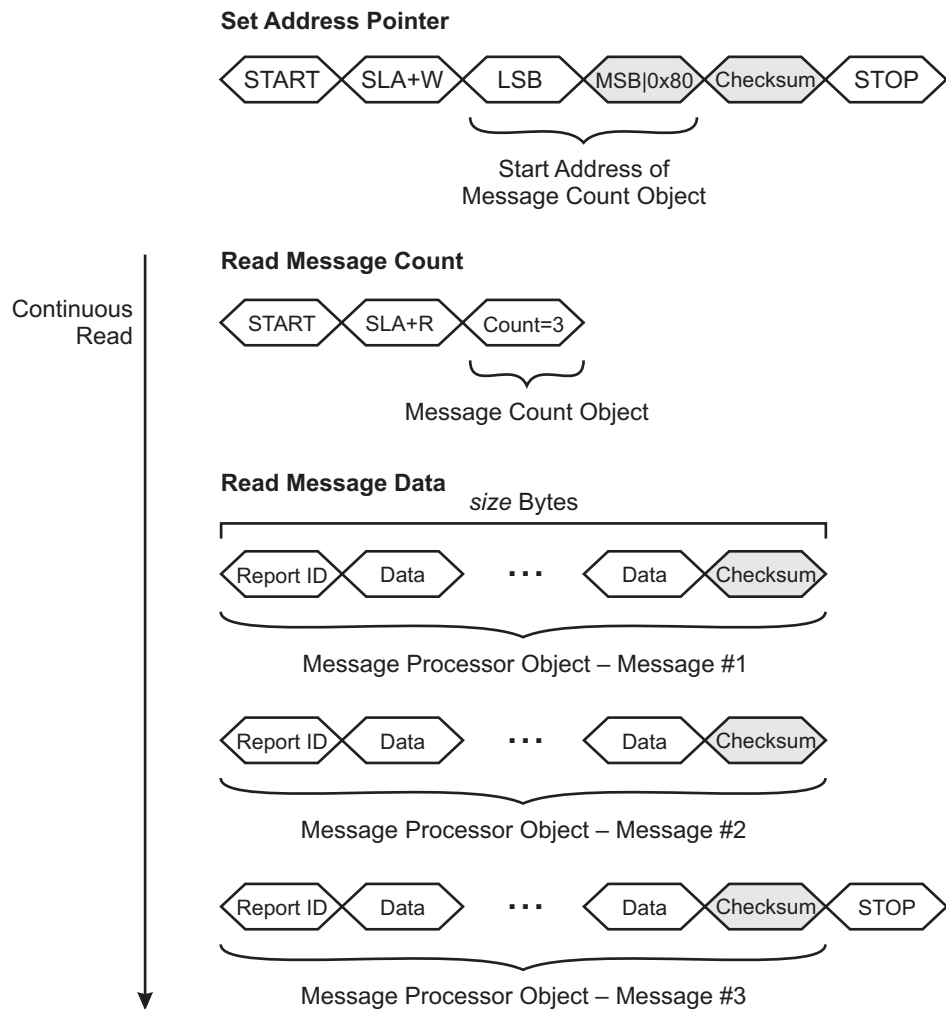
1. The host should have already read the size of the Message Processor object in its initialization code (see [Section 6.3 on page 25](#)).

Figure 5-4 shows an example of using a continuous read operation to read three messages from the device without a checksum. Figure 5-5 on page 22 shows the same example with a checksum.

**Figure 5-4.** Continuous Message Read Example – No Checksum



**Figure 5-5.** Continuous Message Read Example – I<sup>2</sup>C-compatible Checksum Mode



There are no checksums added on any other I<sup>2</sup>C-compatible reads. An 8-bit CRC can be added, however, to all I<sup>2</sup>C-compatible writes, as described in [Section 5.4](#).

An alternative method of reading messages using the  $\overline{\text{CHG}}$  line is given in [Section 5.7](#).

## 5.7 $\overline{\text{CHG}}$ Line

The  $\overline{\text{CHG}}$  line is an active-low, open-drain output that is used to alert the host that a new message is available in the Message Processor object. This provides the host with an interrupt-style interface with the potential for fast response times. It reduces the need for wasteful I<sup>2</sup>C-compatible communications.

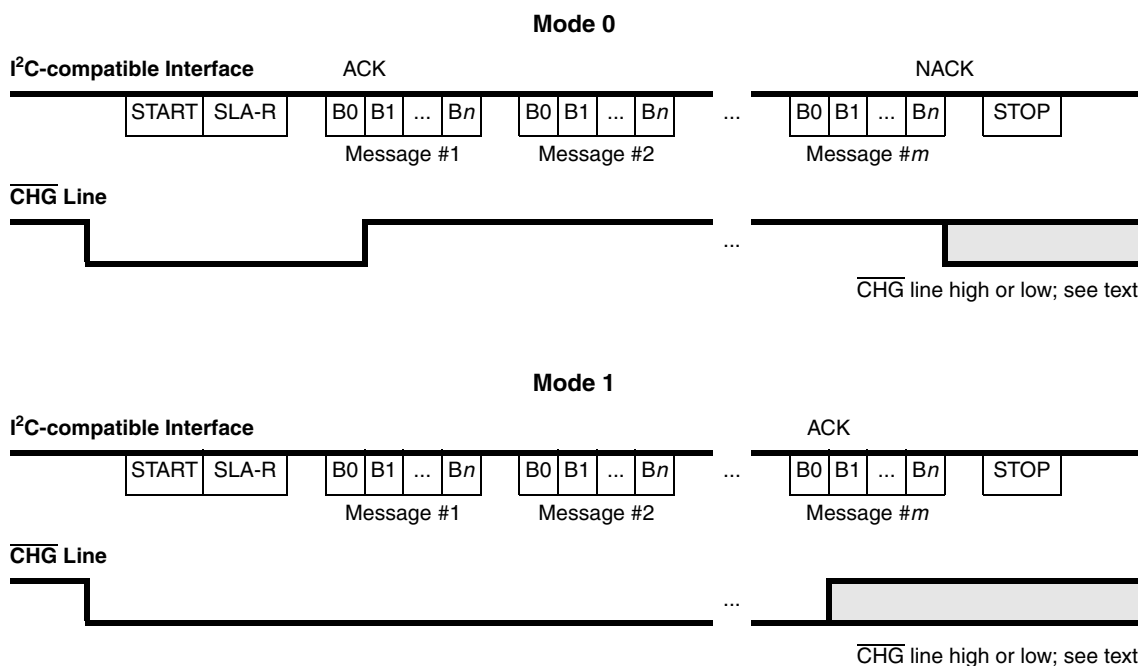
The  $\overline{\text{CHG}}$  line remains low as long as there are messages to be read. The host should be configured so that the  $\overline{\text{CHG}}$  line is connected to an interrupt line that is level-triggered. The host should not use an edge-triggered interrupt as this means adding extra software precautions.

The  $\overline{\text{CHG}}$  line should be allowed to float during normal usage. This is particularly important after power-up or reset (see [Section 4.1 on page 11](#)).

A pull-up resistor is required, typically 10 k $\Omega$  to V<sub>dd</sub>.

The  $\overline{\text{CHG}}$  line operates in two modes (see Figure 5-6), as defined by the Communications Configuration object (refer to the *mXT224E Protocol Guide*).

**Figure 5-6.**  $\overline{\text{CHG}}$  Line Modes for I<sup>2</sup>C-compatible Transfers



In Mode 0:

1. The  $\overline{\text{CHG}}$  line goes low to indicate that a message is present.
2. The  $\overline{\text{CHG}}$  line goes high when the first byte of the first message (that is, its report ID) has been sent and acknowledged (ACK sent) and the next byte has been prepared in the buffer.
3. The NACK at the end of an I<sup>2</sup>C-compatible read causes the  $\overline{\text{CHG}}$  line to stay high if there are no more messages. Otherwise the  $\overline{\text{CHG}}$  line goes low to indicate a further message.

Mode 0 allows the host to read the messages until a report ID of 255 (“invalid message”) is received. Alternatively, the host can send a NACK after receiving the last byte of any message and send a STOP condition to end the transfer. If and when there is another present, the  $\overline{\text{CHG}}$  line goes low, as in step 1. In this mode the state of the  $\overline{\text{CHG}}$  line does not need to be checked during the I<sup>2</sup>C-compatible read.

In Mode 1:

1. The  $\overline{\text{CHG}}$  line goes low to indicate that a message is present.
2. The  $\overline{\text{CHG}}$  line remains low while there are further messages to be sent after the current message.
3. The  $\overline{\text{CHG}}$  line goes high again only once the first byte of the last message (that is, its report ID) has been sent and acknowledged (ACK sent) and the next byte has been prepared in the output buffer.

Mode 1 allows the host to continually read the messages until the  $\overline{\text{CHG}}$  line goes high, and the state of the  $\overline{\text{CHG}}$  line determines whether or not the host should continue receiving messages from the device.

**Note:** The state of the  $\overline{\text{CHG}}$  line should be checked only between messages and not between the bytes of a message. The precise point at which the  $\overline{\text{CHG}}$  line changes state cannot be predicted and so the state of the  $\overline{\text{CHG}}$  line cannot be guaranteed between bytes.

## 5.8 SDA, SCL

The I<sup>2</sup>C-compatible bus transmits data and clock with SDA and SCL, respectively. These are open-drain. The I<sup>2</sup>C-compatible master and slave devices can only drive these lines low or leave them open. The termination resistors (R<sub>p</sub>) pull the line up to V<sub>dd</sub> if no I<sup>2</sup>C-compatible device is pulling it down.

The termination resistors commonly range from 1 kΩ to 10 kΩ. They should be chosen so that the rise times on SDA and SCL meet the I<sup>2</sup>C-compatible specifications (see [Section 7.7 on page 31](#)).

## 5.9 Clock Stretching

The mXT224E-AT supports clock stretching in accordance with the I<sup>2</sup>C specification. It may also instigate a clock stretch if a communications event happens during a period when the mXT224E-AT is busy internally. The maximum clock stretch is approximately 10 – 15 ms.

The mXT224E-AT has an internal bus monitor that can reset the internal I<sup>2</sup>C-compatible hardware if SDA or SCL is stuck low for more than 100 – 200 ms. This means that if a clock stretch of more than 200 ms is seen by the mXT224E-AT, then any ongoing transfers with the mXT224E-AT may be corrupted. The bus monitor is enabled or disabled using the Communications Configuration object. Refer to the *mXT224E Protocol Guide* for more information.



## 6. Getting Started With the mXT224E-AT

### 6.1 Communication with the Host

The mXT224E-AT uses an I<sup>2</sup>C-compatible bus to communicate with the host. See [Section 4.4 on page 13](#) and [Appendix D on page 40](#) for more information.

### 6.2 Establishing Contact

On power-up, the  $\overline{\text{CHG}}$  line goes low to indicate that there is new data to be read from the Message Processor object. If the  $\overline{\text{CHG}}$  line does not go low, there is a problem with the device.

The host should attempt to read any available messages to establish that the device is present and running following power-up or a reset. Examples of messages include reset or calibration messages. The host should also check that there are no configuration errors reported.

### 6.3 Using the Object Protocol

The mXT224E-AT has an object-based protocol that is used to communicate with the device. Typical communication includes configuring the device, sending commands to the device, and receiving messages from the device. See [Section 4.10 on page 17](#) and refer also to the *mXT224E Protocol Guide*.

The host must perform the following initialization so that it can communicate with the mXT224E-AT:

1. Read the start positions and sizes of all the objects in the mXT224E-AT from the Object Table and build up a list of these addresses.
2. Use the Object Table to calculate the report IDs so that messages from the device can be correctly interpreted.

### 6.4 Writing to the Device

See [Section 5.3 on page 18](#) for information on the format of the I<sup>2</sup>C-compatible write operation.

To communicate with the mXT224E-AT, you write to the appropriate object:

- To send a command to the device, you write the appropriate command to the Command Processor object (for example, to send a reset, backup or calibrate command). Refer to the *mXT224E Protocol Guide* for the full list of available commands.
- To configure the device, you write to an object. For example, to configure the device power consumption you write to the global Power Configuration object. Some objects are optional and need to be enabled before use.

Refer to the *mXT224E Protocol Guide* for more information on the objects.

### 6.5 Reading from the Device

See [Section 5.5 on page 19](#) for information on the format of the I<sup>2</sup>C-compatible read operation.

Status information is stored in the Message Processor object. This object must be read to receive any status information from the mXT224E-AT. The  $\overline{\text{CHG}}$  line is asserted whenever a new message is available in the Message Processor object. This provides an interrupt-style interface. The host should always use the  $\overline{\text{CHG}}$  line to be notified of messages. The host should not poll the device for messages. See [Section 5.7 on page 22](#) for more information on using the  $\overline{\text{CHG}}$  line.

## 6.6 Configuring the Device

The objects are designed such that a default value of zero in their fields is a “safe” value that typically disables functionality. The objects must be configured before use and the settings written to the nonvolatile memory using the Command Processor T6 object. Refer to the *mXT224E Protocol Guide* for more information.

The following objects must be configured before use:

- Power Configuration
  - Set up the Idle Acquisition Interval, Active Acquisition Interval and Active to Idle Timeout.
- Acquisition Configuration


The following objects should also be configured and enabled, as required:

- Touch objects: Multiple Touch Touchscreen T9
  - Enable the object.
  - Configure the origin and the number of channels it occupies, if applicable. Configure the other fields in the object, as required. For example, specify the burst length and threshold.
  - Enable reporting to receive touch messages from the object.
- Signal processing objects: Touch Suppression T42, Stylus T47, Noise Suppression T48
  - Enable the object.
  - Configure the fields in the object, as required.
  - Enable reporting to receive signal processing messages from the object.
- Support objects: Communications Configuration T18, GPIO/PWM Configuration T19, Self Test T25, User Data T38
  - Enable the object, if the object requires it.
  - Configure the fields in the object, as required.
  - Enable reporting, if the object supports messages, to receive messages from the object.

Refer to the *mXT224E Protocol Guide* for more information on configuring the objects.

## 7. Specifications

### 7.1 Absolute Maximum Specifications

Vdd	3.6 V
AVdd	3.6 V
Max continuous pin current, any control or drive pin	20 mA
Voltage forced onto any pin	-0.5 V to (Vdd or AVdd) + 0.5 V
Configuration parameters maximum writes	10,000
	<b>CAUTION:</b> Stresses beyond those listed under <i>Absolute Maximum Specifications</i> may cause permanent damage to the device. This is a stress rating only and functional operation of the device at these or other conditions beyond those indicated in the operational sections of this specification is not implied. Exposure to absolute maximum specification conditions for extended periods may affect device reliability.

### 7.2 Recommended Operating Conditions

Operating temp	-40°C to +85°C
Storage temp	-65°C to +150°C
Vdd	2.7 V to 3.3 V +5%
AVdd	2.7 V to 3.3 V +5%
Vdd vs AVdd power sequencing	No sequencing required
Cx transverse load capacitance per channel	0.32 pF to 5 pF
Temperature slew rate	10°C per minute

### 7.3 DC Specifications

#### 7.3.1 Digital Power (Vdd)

Parameter	Description	Min	Typ	Max	Units	Notes
Vdd	Operating limits	2.7		3.47	V	
Slew rate	Minimum slew rate	1			V/100 $\mu$ s	

#### 7.3.2 Analog Power (AVdd)

Parameter	Description	Min	Typ	Max	Units	Notes
AVdd	Operating limits	2.7		3.47	V	
Slew rate	Minimum slew rate	1			V/100 $\mu$ s	

### 7.3.3 Input/Output

Parameter	Description	Min	Typ	Max	Units	Notes
Input ( $\overline{\text{RESET}}$ , SDA, SCL, GPIO)						
Vil	Low input logic level	-0.5		$0.3 \times V_{\text{dd}}$	V	Vdd = 3 V
Vih	High input logic level	$0.7 \times V_{\text{dd}}$		$V_{\text{dd}} + 0.5$	V	Vdd = 3 V
Iil	Low input leakage current		< 0.01	1	$\mu\text{A}$	
Iih	High input leakage current		< 0.01	1	$\mu\text{A}$	
Output ( $\overline{\text{CHG}}$ , GPIO)						
Vol	Low output voltage			0.6		Vdd = 3 V, I <sub>OH</sub> = 10 mA
Voh	High output voltage	2.1			V	Vdd = 3 V, I <sub>OH</sub> = -10 mA

## 7.4 Supply Current

### 7.4.1 Analog current

AVdd = 3 V, Ta = recommended range, unless otherwise noted

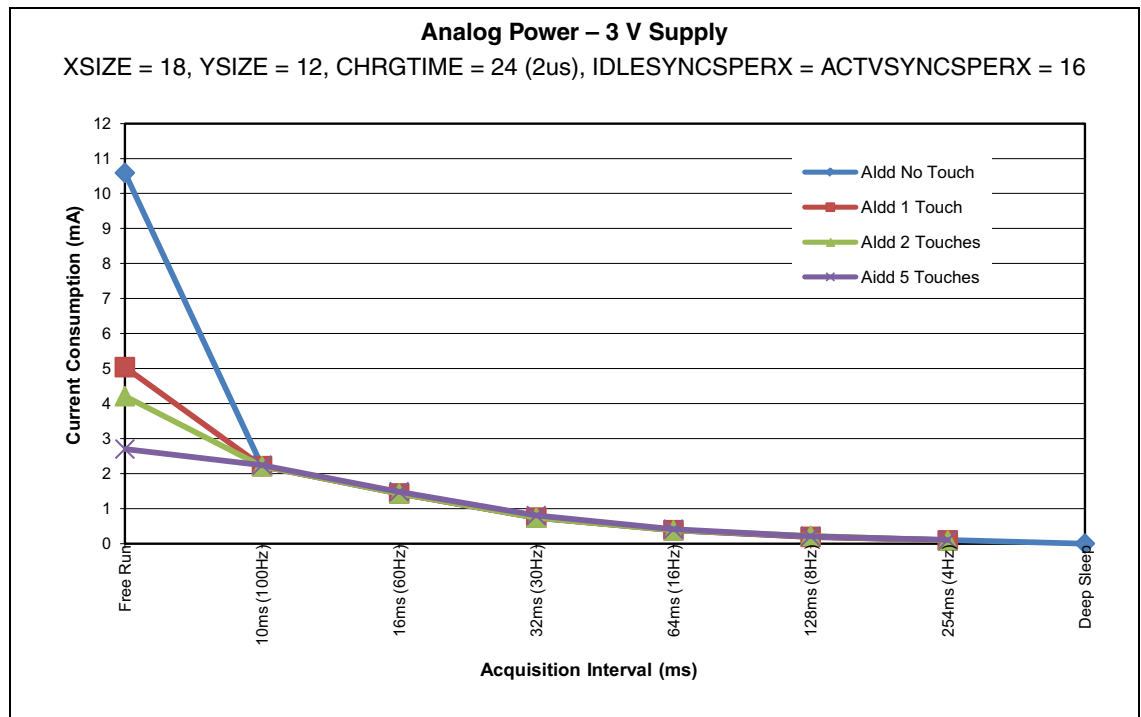
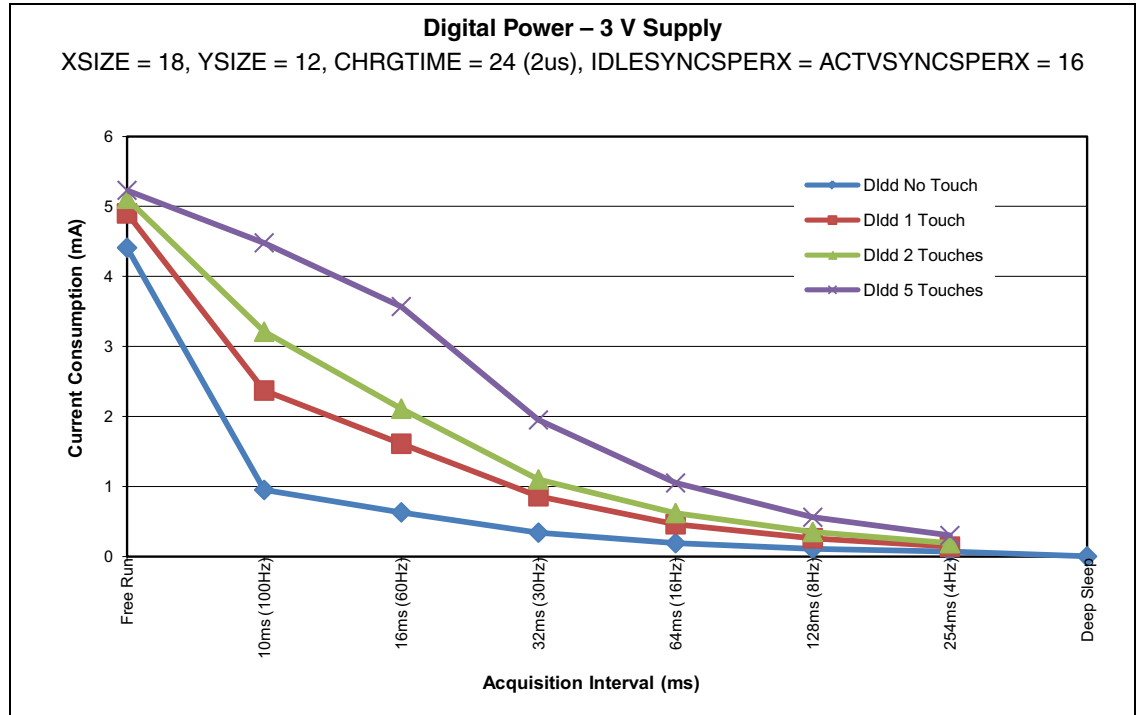
Parameter	Description	Min	Typ	Max	Units	Notes
Aldd	Active average supply current		2.21		mA	100 Hz, 1 Touch
	Idle average supply current		0.38			16 Hz, No Touch
	Sleep average supply current		0.00001		mA	

### 7.4.2 Digital Current

Vdd = 3 V, Ta = recommended range, unless otherwise noted

Parameter	Description	Min	Typ	Max	Units	Notes
Idd	Idle average supply current		2.37			100 Hz, 1 Touch
	Idle average supply current		0.19			16 Hz, No Touch
	Sleep average supply current		0.001		mA	

7.5 Power Consumption



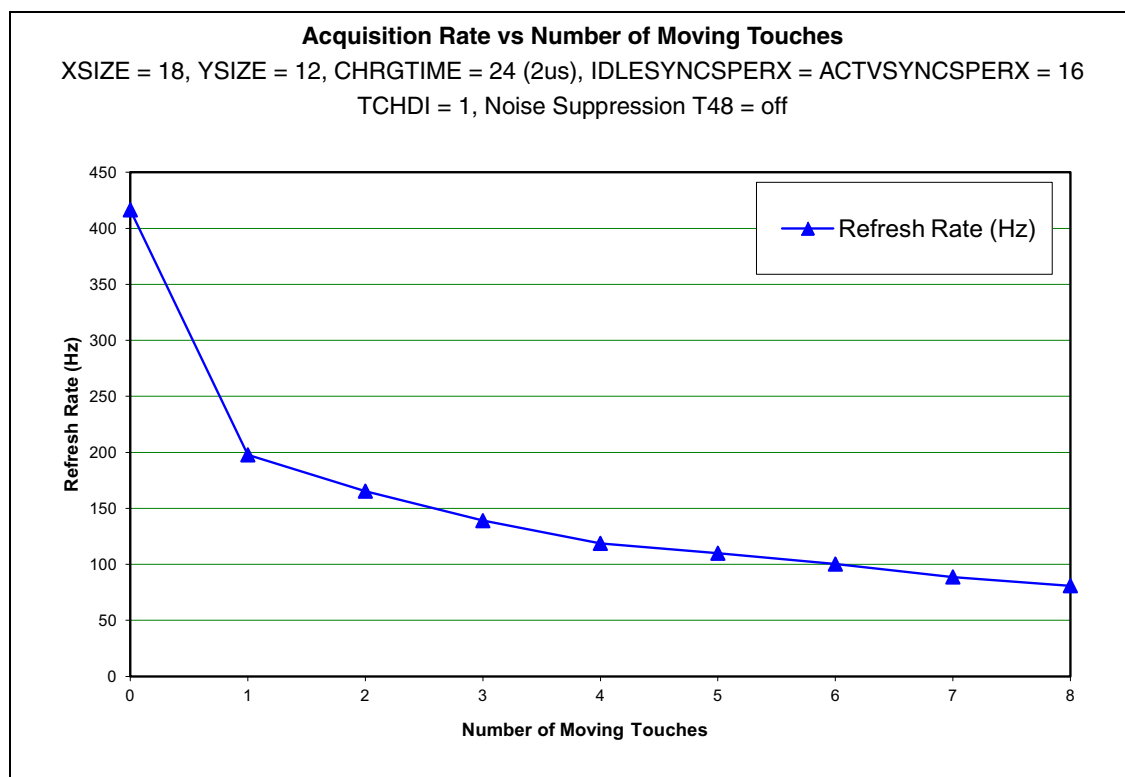
## 7.6 Timing Specifications

### 7.6.1 Touch Latency

Touches = 1, XSIZE = 18, CHRGTIME = 2  $\mu$ s, ADCSPERX = 8, TCHDI = 1

Parameter	Description	Min	Typ	Max	Units	Notes
Tlatency	83 Hz		5 to 18.1		ms	
	100 Hz		5 to 16.2		ms	
	200 Hz		5 to 11.3		ms	

### 7.6.2 Speed



### 7.6.3 Reset Timings

Parameter	Min	Typ	Max	Units	Notes
Power on to $\overline{\text{CHG}}$ line low		21.2		ms	
Hardware reset to $\overline{\text{CHG}}$ line low		21.2		ms	
Software reset to $\overline{\text{CHG}}$ line low		21.7		ms	

### 7.6.4 External Reset Characteristics

Parameter	Min	Typ	Max	Units	Conditions
Minimum reset pulse width	1000			ns	
Reset threshold voltage	0.2 × Vdd		0.9 × Vdd	V	Vdd = 3 V

### 7.6.5 Power on Reset Specifications

Symbol	Parameter	Min	Typ	Max	Units	Notes
V <sub>POT</sub>	Power-on reset threshold voltage (falling)	0.4	1.0	1.6	V	
V <sub>pormax</sub>	Vdd max start voltage to ensure internal power-on reset signal			0.4	V	
V <sub>pormin</sub>	Vdd min start voltage to ensure internal power-on reset signal	-0.1			V	
Vdd <sub>RR</sub>	Vdd rise rate to ensure power-on reset	0.01			V/ms	

### 7.7 I<sup>2</sup>C-compatible Bus Specifications

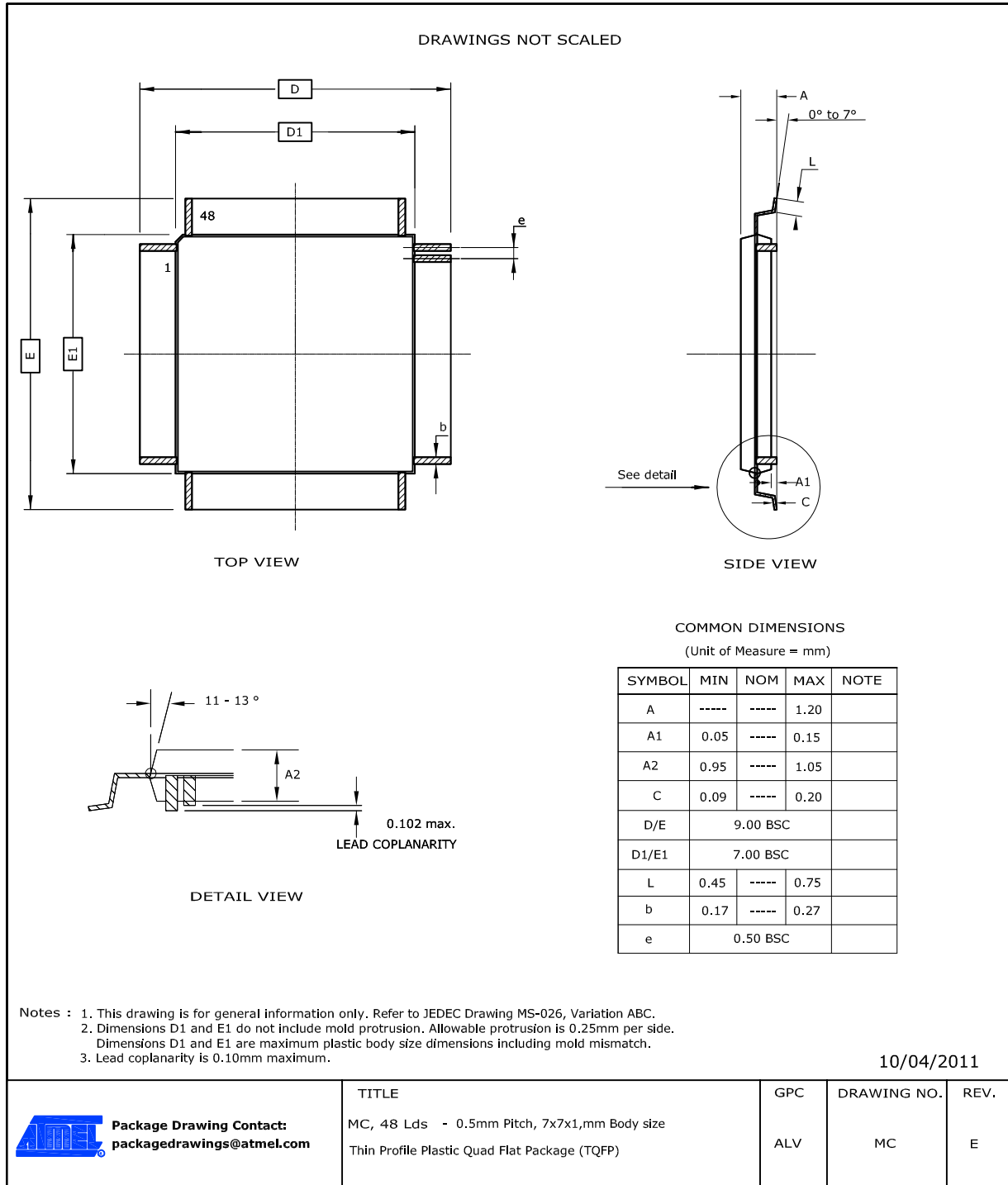
Parameter	Operation
Addresses	0x4A or 0x4B
Maximum bus speed (SCL)	400 kHz
I <sup>2</sup> C specification	Version 2.1

### 7.8 Touch Accuracy and Repeatability

Touchscreen pitch= 4.7 mm, front panel = 1 mm, touch size = 8 mm

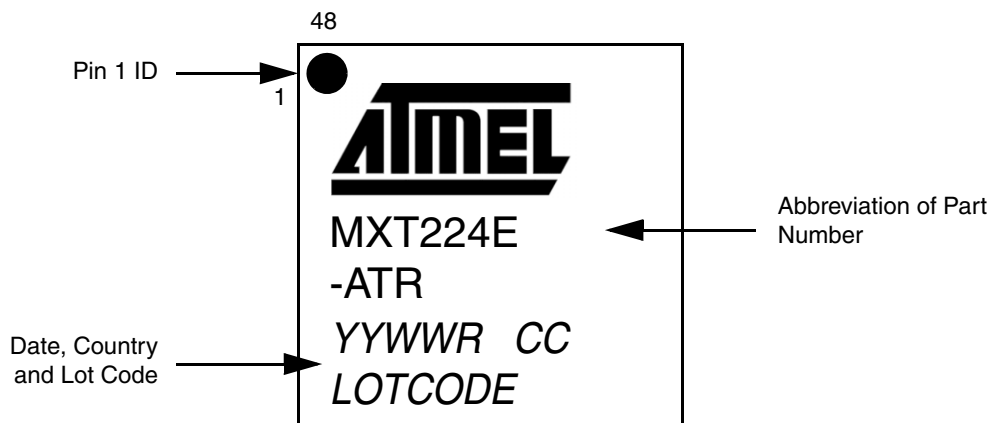
Parameter	Min	Typ	Max	Units	Notes
Linearity		±0.5		mm	
Accuracy		±1		mm	
Accuracy edge		±2		mm	
Repeatability		±0.25		mm	X axis with 12-bit resolution

## 7.9 Mechanical Dimensions





### 7.10 Part Markings



### 7.11 Part Numbers

Part Number	Reference Number	Description
MXT224E-ATR (tape and reels)	EGZ	48-pin 7 × 7 mm TQFP RoHS compliant

### 7.12 Moisture Sensitivity Level (MSL)

MSL Rating	Peak Body Temperature	Specifications
MSL3	260°C	IPC/JEDEC J-STD-020

## Appendix A. PCB Design Considerations

### A.1 Introduction

The following sections give the design considerations that should be adhered to when designing a PCB layout for use with the mXT224E-AT. Of these, power supply and ground tracking considerations are the most critical.

By observing the following design rules, and with careful preparation for the PCB layout exercise, designers will be assured of a far better chance of success and a correctly functioning product.

### A.2 Printed Circuit Board

Atmel recommends the use of a four layer printed circuit board for mXT224E-AT applications. This, together with careful layout, will ensure that the board meets relevant EMC requirements for both noise radiation and susceptibility, as laid down by the various national and international standards agencies.

### A.3 Supply Rails and Ground Tracking

Power supply and clock distribution are the most critical parts of any board layout. Because of this, it is advisable that these be completed before any other tracking is undertaken. After these, supply decoupling, and analog and high speed digital signals should be addressed. Track widths for all signals, especially power rails should be kept as wide as possible in order to reduce inductance.

The Power and Ground planes themselves can form a useful capacitor. Flood filling for either or both of these supply rails, therefore, should be used where possible. It is important to ensure that there are no floating copper areas remaining on the board: all such areas should be connected to the 0 V plane. The flood filling should be done on the outside layers of the board.

### A.4 Power Supply Decoupling

As a rule, a suitable decoupling capacitor should be placed on each and every supply pin on all digital devices. It is important that these capacitors are placed as close to the chip's supply pins as possible (less than 5mm away). The ground connection of these capacitors should be tracked to 0V by the shortest, heaviest traces possible.

Capacitors with a Type II dielectric, such as X5R or X7R and with a value of at least 100nF, should be used for this purpose.

In addition, at least one 'bulk' tantalum decoupling capacitor, with a minimum value of 4.7  $\mu$ F should be placed on each power rail, close to where the supply enters the board.

Surface mounting capacitors are preferred to wire leaded types due to their lower ESR and ESL. It is often possible to fit these decoupling capacitors underneath and on the opposite side of the PCB to the digital ICs. This will provide the shortest tracking, and most effective decoupling possible.

Refer to the application note *Selecting Decoupling Capacitors for Atmel's PLDs* (doc0484.pdf; available on Atmel's website) for further general information on decoupling capacitors.

## A.5 Suggested Voltage Regulator Manufacturers

The AVdd supply stability is critical for the mXT224E-AT because this supply interacts directly with the analog front end. Atmel therefore recommends that the supply for the analog section of the board be supplied by a regulator that is separate from the logic supply regulator. This reduces the amount of noise injected into the sensitive, low signal level parts of the design.

A single low value series resistor (around 1Ω) is required from the regulator output to the analog supply input on the mXT224E-AT device. This, together with the regulator output capacitor, and the capacitors at the DC input to the device, forms a simple filter on the supply rail.

A low noise device should be chosen for the regulator. If possible this should have provision for adding a capacitor across the internal reference for further noise reduction. Reference should be made to the manufacturer's datasheet.

The voltage regulators listed in [Table 7-1](#) have been tested and found to work well with the mXT224E-AT. They have compatible footprints and pin-out specifications, and are available in the SOT-23 package.

**Table 7-1.** Recommended Voltage Regulators

Manufacturer	Part Number	Pin
Texas Instruments	TPS79301DBVR-Q1	AVdd and Vdd
Texas Instruments	TPS79328DBVR-Q1 (2.8 V)	AVdd and Vdd
Texas Instruments	TPS79330DBVR-Q1 (3.0 V)	AVdd and Vdd
Texas Instruments	TPS79333DBVR-Q1 (3.3 V)	AVdd and Vdd

Note some manufacturers claim that minimal or no capacitance is required for correct regulator operation. However, in all cases, a minimum of a 1.0 μF ceramic, low ESR capacitor at the input and output of these devices should be used. The manufacturers' datasheets should always be referred to when selecting capacitors for these devices and the typical recommended values, types and dielectrics adhered to.

If an oscillator module is used, care still needs to be taken when tracking to the mXT224E-AT. The clock signal should be kept as short as possible, with a solid ground return underneath the clock output.

## A.6 Analog I/O

In general, tracking for the analog I/O signals from the device should be kept as short as possible. These normally go to a connector which interfaces directly to the touchscreen.

Ensure that adequate ground-planes are used. An analog ground plane should be used in addition to a digital one. Care should be taken to ensure that both ground planes are kept separate and are connected together only at the point of entry for the power to the PCB. This is usually at the input connector.

## A.7 Component Placement

It is important to orient all devices so that the tracking for important signals (such as power and clocks) are kept as short as possible. This simple point is often overlooked when initially planning a PCB layout and can save hours of work at a later stage.

## A.8 Digital Signals

In general, when tracking digital signals, it is advisable to avoid sharp directional changes, sensitive signal tracks (such as analog I/O) and any clock or crystal tracking.

A good ground return path for all signals should be provided, where possible, to ensure that there are no discontinuities in the ground return path.

## A.9 EMC and Other Observations

The following recommendations are not mandatory, but may help in situations where particularly difficult EMC or other problems are present:

- Try to keep as many signals as possible on the inside layers of the board. If suitable ground flood fills are used on the top and bottom layers, these will provide a good level of screening for noisy signals, both into and out of the PCB.
- Ensure that the on-board regulators have sufficient tracking around and underneath the devices to act as a heatsink. This heatsink will normally be connected to the 0V or ground supply pin. Increasing the width of the copper tracking to any of the device pins will aid in removing heat. There should be no solder mask over the copper track underneath the body of the regulators.
- Ensure that the decoupling capacitors, especially tantalum, or high capacity ceramic types, have the requisite low ESR, ESL and good stability/temperature properties. Refer to the regulator manufacturer's datasheet for more information.

## Appendix B. Glossary of Terms

### Channel

One of the capacitive measurement points at which the sensor controller can detect capacitive change.

### Jitter

The peak-to-peak variance in the reported location for an axis when a fixed touch is applied. Typically jitter is random in nature and has a Gaussian<sup>(1)</sup> distribution, therefore measurement of peak-to-peak jitter must be conducted over some period of time, typically a few seconds. Jitter is typically measured as a percentage of the axis in question.

For example a 100 x 100 mm touchscreen that shows  $\pm 0.5\%$  jitter in X and  $\pm 1\%$  jitter in Y would show a peak deviation from the average reported coordinate of  $\pm 0.5$  mm in X and  $\pm 1$  mm in Y. Note that by defining the jitter relative to the average reported coordinate, the effects of linearity are ignored.

### Linearity

The measurement of the peak-to-peak deviation of the reported touch coordinate in one axis relative to the absolute position of touch on that axis. This is often referred to as the nonlinearity. Non-linearities in either X or Y axes manifest themselves as regions where the perceived touch motion along that axis (alone) is not reflected correctly in the reported coordinate giving the sense of moving too fast or too slow. Linearity is measured as a percentage of the axis in question.

For each axis, a plot of the true coordinate versus the reported coordinate should be a perfect straight line at  $45^\circ$ . A non-linearity makes this plot deviate from this ideal line. It is possible to correct modest non-linearities using on-chip linearization tables, but this correction trades linearity for resolution in regions where stronger corrections are needed (because there is a stretching or compressing effect to correct the nonlinearity, so altering the resolution in these regions). Linearity is typically measured using data that has been sufficiently filtered to remove the effects of jitter. For example, a 100 mm slider with a nonlinearity of  $\pm 1\%$  reports a position that is, at most, 1 mm away in either direction from the true position.

### Resolution

The measure of the smallest movement on a slider or touchscreen in an axis that causes a change in the reported coordinate for that axis. Resolution is normally expressed in bits and tends to refer to resolution across the whole axis in question. For example, a resolution of 10 bits can resolve a movement of 0.0977 mm on a slider 100 mm long. Jitter in the reported position degrades usable resolution.

### Touchscreen

A two-dimensional arrangement of electrodes whose capacitance changes when touched, allowing the location of touch to be computed in both X and Y axes. The output from the XY computation is a pair of numbers, typically 12-bits each, ranging from 0 to 4095, representing the extents of the touchscreen active region.

---

1. Sometimes called Bell-shaped or Normal distribution.

## Appendix C. QMatrix Primer

### C.1 Acquisition Technique

QMatrix capacitive acquisition uses a series of pulses to deposit charge into a sampling capacitor,  $C_s$ . The pulses are driven on X lines from the controller. The rising edge of the pulse causes current to flow in the mutual capacitance,  $C_x$ , formed between the X line and a neighboring receiver electrode or Y line. While one X line is being pulsed, all others are grounded. This leads to excellent isolation of the particular mutual capacitances being measured <sup>(1)</sup>, a feature that makes for good inherent touchscreen performance.

After a fixed number of pulses (known as the burst length) the sampling capacitor's voltage is measured to determine how much charge has accumulated. This charge is directly proportional to  $C_x$  and therefore changes if  $C_x$  <sup>(2)</sup> changes. The transmit-receive charge transfer process between the X lines and Y lines causes an electric field to form that loops from X to Y. The field itself emanates from X and terminates on Y. If the X and Y electrodes are fixed directly <sup>(3)</sup> to a dielectric material like plastic or glass, then this field tends to channel through the dielectric with very little leakage of the field out into free-space (that is, above the panel). Some proportion of the field does escape the surface of the dielectric, however, and so can be influenced during a touch.

When a finger is placed in close proximity (a few millimeters) or directly onto the dielectric's surface, some of this stray field and some of the field that would otherwise have propagated via the dielectric and terminated onto the Y electrode, is diverted into the finger and is conducted back to the controller chip via the human body rather than via the Y line.

This means that less charge is accumulated in  $C_s$ , and hence the terminal voltage present on  $C_s$ , after all the charge transfer pulses are complete, becomes less. In this way, the controller can measure changes in  $C_x$  during touch. This means that the measured capacitance  $C_x$  goes down during touch, because the coupled field is partly diverted by the touching object.

The spatial separation between the X and Y electrodes is significant to make the electric field to propagate well in relation to the thickness of the dielectric panel.

### C.2 Moisture Resistance

A useful side effect of the QMatrix acquisition method is that placing a floating conductive element between the X and Y lines tends to increase the field coupling and so increases the capacitance  $C_x$ . This is the opposite change direction to normal touch, and so can be quite easily ignored or compensated for by the controller. An example of such floating conductive elements is the water droplets caused by condensation.

1. A common problem with other types of capacitive acquisition technique when used for touchscreens, is that this isolation is not so pronounced. This means that when touching one region of the screen, the capacitive signals also tend to change slightly in nearby channels too, causing small but often significant errors in the reported touch position.
2. To a first approximation.
3. Air gaps in front of QMatrix sensors massively reduce this field propagation and kill sensitivity. Normal optically clear adhesives work well to attach QMatrix touchscreens to their dielectric front panel.

As a result, QMatrix-based touchscreens tend not to go into false detect when they are covered in small non-coalesced water droplets. Once the droplets start to merge, however, they can become large enough to bridge the field across to nearby ground return paths (for example, other X lines not currently driven, or ground paths in mechanical chassis components). When this happens, the screen's behavior can become erratic.

There are some measures used in these controllers to help with this situation, but in general there comes a point where the screen is so contaminated by moisture that false detections become inevitable. It should also be noted that uniform condensation soon becomes non-uniform once a finger has spread it around. Finger grease renders the water highly conductive, making the situation worse overall.

In general, QMatrix has industry-leading moisture tolerance but there comes a point when even the best capacitive touchscreen suffers due to moisture on the dielectric surface.

## C.3 Interference Sources

### C.3.1 Power Supply

The device can tolerate short-term power supply fluctuations. If the power supply fluctuates slowly with temperature, the device tracks and compensates for these changes automatically with only minor changes in sensitivity. If the supply voltage drifts or shifts quickly, the drift compensation mechanism is not able to keep up, causing sensitivity anomalies or false detections.

The device itself uses the AVdd power supply as an analog reference, so the power should be very clean and come from a separate regulator. A standard inexpensive Low Dropout (LDO) type regulator should be used that is not also used to power other loads, such as LEDs, relays, or other high current devices. Load shifts on the output of the LDO can cause AVdd to fluctuate enough to cause false detection or sensitivity shifts. The digital Vdd supply is far more tolerant to noise.



**CAUTION:** A regulator IC shared with other logic can result in erratic operation and is not advised.

Noise on AVdd can appear directly in the measurement results. Vdd should be checked to ensure that it stays within specification in terms of noise, across a whole range of product operating conditions.

Ceramic bypass capacitors on AVdd and Vdd, placed very close (<5 mm) to the chip are recommended. A bulk capacitor of at least 1  $\mu\text{F}$  and a higher frequency capacitor of around 10 nF to 100 nF in parallel are recommended; both must be X7R or X5R dielectric capacitors.

### C.3.2 Other Noise Sources

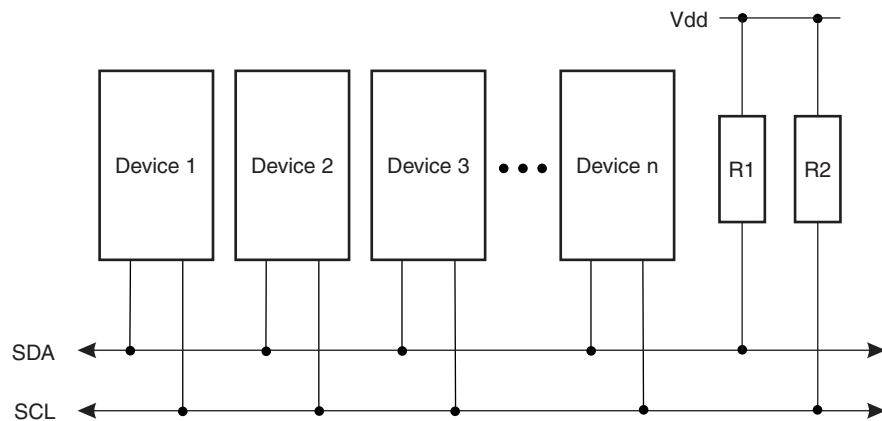
Refer to QTAN0079, *Buttons, Sliders and Wheels Sensor Design Guide*, for information (downloadable from the Touch Technology area of the Atmel website).

## Appendix D. I<sup>2</sup>C-compatible Operation

### 7.13 Interface Bus

The device communicates with the host over an I<sup>2</sup>C-compatible bus. The following sections give an overview of the bus; more detailed information is available from [www.i2c-bus.org](http://www.i2c-bus.org). Devices are connected to the I<sup>2</sup>C-compatible bus as shown in Figure D-1. Both bus lines are connected to V<sub>dd</sub> via pull-up resistors. The bus drivers of all I<sup>2</sup>C-compatible devices must be open-drain type. This implements a wired AND function that allows any and all devices to drive the bus, one at a time. A low level on the bus is generated when a device outputs a zero.

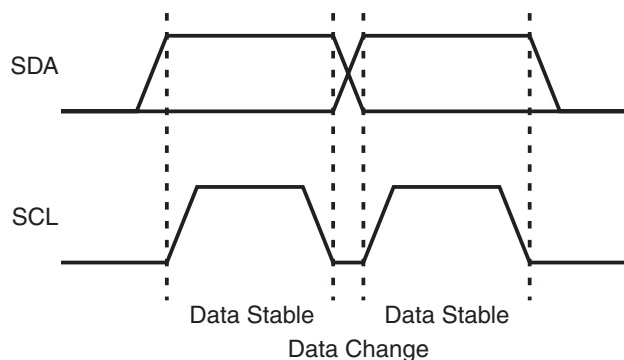
**Figure D-1.** I<sup>2</sup>C-compatible Interface Bus



### D.1 Transferring Data Bits

Each data bit transferred on the bus is accompanied by a pulse on the clock line. The level of the data line must be stable when the clock line is high; the only exception to this rule is for generating START and STOP conditions.

**Figure D-2.** Data Transfer



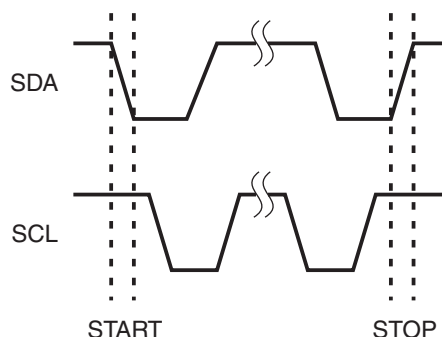
### D.2 START and STOP Conditions

The host initiates and terminates a data transmission. The transmission is initiated when the host issues a START condition on the bus, and is terminated when the host issues a STOP condition. Between the START and STOP conditions, the bus is considered busy. As shown in Figure D-3, START and STOP conditions are signaled by changing the level of the SDA line



when the SCL line is high.

**Figure D-3.** START and STOP Conditions

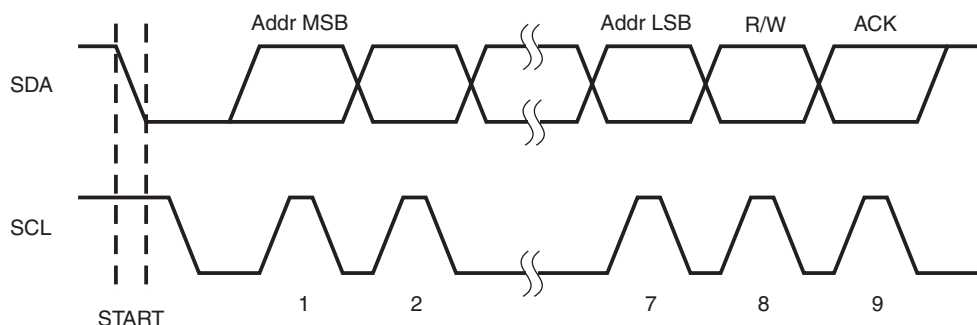


### D.3 Address Byte Format

All address bytes are 9 bits long, consisting of 7 address bits, one READ/WRITE control bit and an acknowledge bit. If the READ/WRITE bit is set, a read operation is performed, otherwise a write operation is performed. When the device recognizes that it is being addressed, it will acknowledge by pulling SDA low in the ninth SCL (ACK) cycle. An address byte consisting of a slave address and a READ or a WRITE bit is called SLA+R or SLA+W, respectively.

The most significant bit of the address byte is transmitted first. The address sent by the host must be consistent with that selected with the option jumpers.

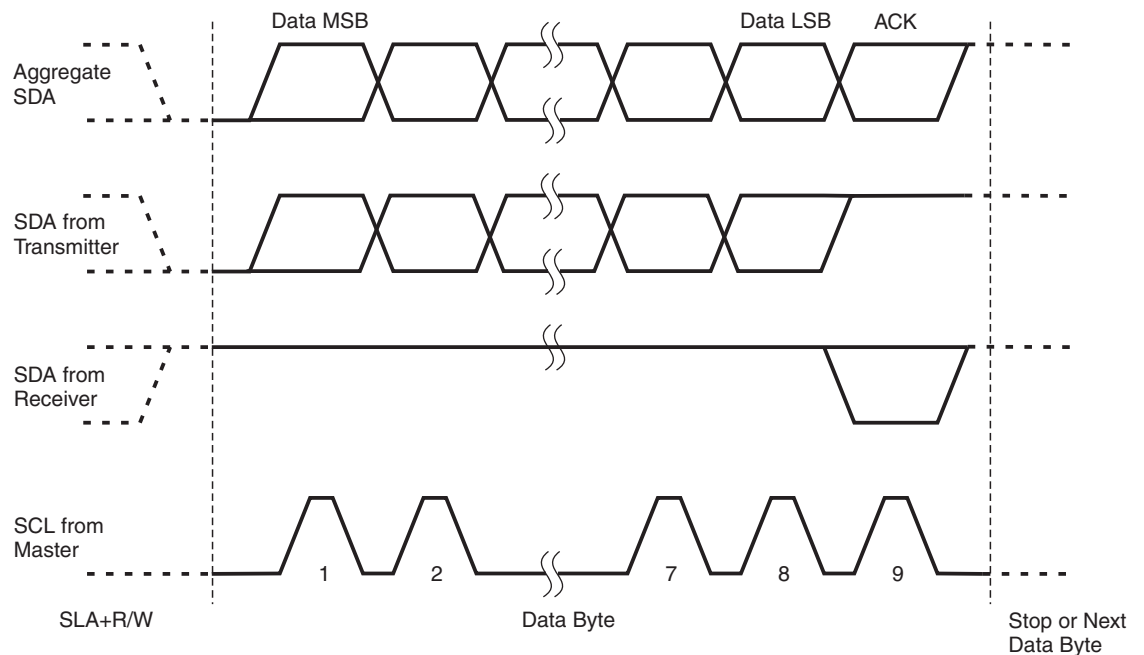
**Figure D-4.** Address Byte Format



### D.4 Data Byte Format

All data bytes are 9 bits long, consisting of 8 data bits and an acknowledge bit. During a data transfer, the host generates the clock and the START and STOP conditions, while the receiver is responsible for acknowledging the reception. An acknowledge (ACK) is signaled by the receiver pulling the SDA line low during the ninth SCL cycle. If the receiver leaves the SDA line high, a NACK is signaled.

**Figure D-5.** Data Byte Format



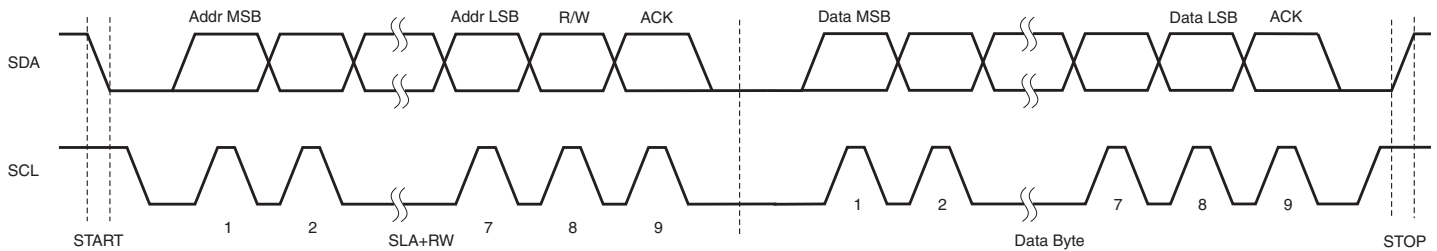
## D.5 Combining Address and Data Bytes into a Transmission

A transmission consists of a START condition, an SLA+R/W, one or more data bytes and a STOP condition. The wired “ANDing” of the SCL line is used to implement handshaking between the host and the device. The device extends the SCL low period by pulling the SCL line low whenever it needs extra time for processing between the data transmissions.

**Note:** Each write or read cycle must end with a stop condition. The device may not respond correctly if a cycle is terminated by a new start condition.

Figure D-6 shows a typical data transmission. Note that several data bytes can be transmitted between the SLA+R/W and the STOP.

**Figure D-6.** Byte Transmission



## Table of Contents

	<b>Features .....</b>	<b>1</b>
<b>1</b>	<b>Overview of the mXT224E-AT .....</b>	<b>2</b>
	1.1 Introduction .....	2
	1.2 Understanding Unfamiliar Concepts .....	3
	1.3 Resources .....	3
	1.4 Automotive Quality Grade .....	3
<b>2</b>	<b>Pinout and Schematic .....</b>	<b>4</b>
	2.1 Pinout Configuration .....	4
	2.2 Pinout Description .....	5
	2.3 Schematic .....	7
<b>3</b>	<b>Touchscreen Basics .....</b>	<b>8</b>
	3.1 Sensor Construction .....	8
	3.2 Electrode Configuration .....	8
	3.3 Scanning Sequence .....	9
	3.4 Touchscreen Sensitivity .....	9
<b>4</b>	<b>Detailed Operation .....</b>	<b>11</b>
	4.1 Power-up/Reset .....	11
	4.2 Calibration .....	13
	4.3 Sensor Acquisition .....	13
	4.4 Operational Modes .....	13
	4.5 Sensor Layout Modes .....	14
	4.6 Signal Processing .....	14
	4.7 GPIO Pins .....	15
	4.8 Circuit Components .....	16
	4.9 Debugging .....	16
	4.10 Configuring the mXT224E-AT .....	17
<b>5</b>	<b>I<sup>2</sup>C-compatible Communications .....</b>	<b>18</b>
	5.1 Communications Protocol .....	18
	5.2 I <sup>2</sup> C-compatible Addresses .....	18
	5.3 Writing To the Device .....	18
	5.4 I <sup>2</sup> C-compatible Writes in Checksum Mode .....	18
	5.5 Reading From the Device .....	19
	5.6 Reading Status Messages with DMA .....	19

5.7	$\overline{\text{CHG}}$ Line .....	22
5.8	SDA, SCL .....	24
5.9	Clock Stretching .....	24
<b>6</b>	<b><i>Getting Started With the mXT224E-AT</i></b> .....	<b>25</b>
6.1	Communication with the Host .....	25
6.2	Establishing Contact .....	25
6.3	Using the Object Protocol .....	25
6.4	Writing to the Device .....	25
6.5	Reading from the Device .....	25
6.6	Configuring the Device .....	26
<b>7</b>	<b><i>Specifications</i></b> .....	<b>27</b>
7.1	Absolute Maximum Specifications .....	27
7.2	Recommended Operating Conditions .....	27
7.3	DC Specifications .....	27
7.4	Supply Current .....	28
7.5	Power Consumption .....	29
7.6	Timing Specifications .....	30
7.7	I2C-compatible Bus Specifications .....	31
7.8	Touch Accuracy and Repeatability .....	31
7.9	Mechanical Dimensions .....	32
7.10	Part Markings .....	33
7.11	Part Numbers .....	33
7.12	Moisture Sensitivity Level (MSL) .....	33
<b>Appendix A</b>	<b><i>PCB Design Considerations</i></b> .....	<b>34</b>
A.1	Introduction .....	34
A.2	Printed Circuit Board .....	34
A.3	Supply Rails and Ground Tracking .....	34
A.4	Power Supply Decoupling .....	34
A.5	Suggested Voltage Regulator Manufacturers .....	35
A.6	Analog I/O .....	35
A.7	Component Placement .....	35
A.8	Digital Signals .....	36
A.9	EMC and Other Observations .....	36
<b>Appendix B</b>	<b><i>Glossary of Terms</i></b> .....	<b>37</b>

**Appendix C QMatrix Primer ..... 38**

C.1 Acquisition Technique ..... 38

C.2 Moisture Resistance ..... 38

C.3 Interference Sources ..... 39

**Appendix D I2C-compatible Operation ..... 40**

7.13 Interface Bus ..... 40

D.1 Transferring Data Bits ..... 40

D.2 START and STOP Conditions ..... 41

D.3 Address Byte Format ..... 41

D.4 Data Byte Format ..... 41

D.5 Combining Address and Data Bytes into a Transmission ..... 42

**Table of Contents..... 43**

**Revision History..... 46**

## Revision History

Revision Number	History
Revision AX – October 2012	Initial release for firmware revision 2.0
Revision BX – November 2012	Minor updates to aid clarity
Revision CX – February 2013	Minor corrections to the analog and digital voltage ranges

Notes



## Headquarters

---

### **Atmel Corporation**

1600 Technology Drive  
San Jose, CA 95110  
USA  
Tel: (+1) (408) 441-0311  
Fax: (+1) (408) 436-4314

## International

---

### **Atmel Asia**

Unit 01-05 & 16, 19F  
BEA Tower, Millennium City 5  
418 Kwun Tong Road  
Kwun Tong  
Kowloon  
HONG KONG  
Tel: (+852) 2245-6100  
Fax: (+852) 2722-1369

### **Atmel Munich GmbH**

Business Campus  
Parking 4  
D- 85748 Garching b.  
MUNICH  
Tel: (+49) 89-31970-111  
Fax: (+49) 89-3194621

### **Atmel Japan**

16F Shin-Osaki Kangyo Building  
1-6-4 Osaki  
Shinagawa-ku, Tokyo 141-0032  
JAPAN  
Tel: (+81) (3) 6417-0300  
Fax: (+81) (3) 6417-0370

### **Touch Technology Division**

1560 Parkway  
Solent Business Park  
Whiteley  
Fareham  
Hampshire  
PO15 7AG  
UNITED KINGDOM  
Tel: (+44) (0) 844 894 1920  
Fax: (+44) (0) 1489 557 066

## Product Contact

---

### **Web Site**

[www.atmel.com](http://www.atmel.com)

### **Technical Support**

[touch@atmel.com](mailto:touch@atmel.com)

### **Sales Contact**

[www.atmel.com/contacts](http://www.atmel.com/contacts)

---

**Disclaimer:** The information in this document is provided in connection with Atmel products. No license, express or implied, by estoppel or otherwise, to any intellectual property right is granted by this document or in connection with the sale of Atmel products. **EXCEPT AS SET FORTH IN ATMEL'S TERMS AND CONDITIONS OF SALE LOCATED ON ATMEL'S WEB SITE, ATMEL ASSUMES NO LIABILITY WHATSOEVER AND DISCLAIMS ANY EXPRESS, IMPLIED OR STATUTORY WARRANTY RELATING TO ITS PRODUCTS INCLUDING, BUT NOT LIMITED TO, THE IMPLIED WARRANTY OF MERCHANTABILITY, FITNESS FOR A PARTICULAR PURPOSE, OR NON-INFRINGEMENT. IN NO EVENT SHALL ATMEL BE LIABLE FOR ANY DIRECT, INDIRECT, CONSEQUENTIAL, PUNITIVE, SPECIAL OR INCIDENTAL DAMAGES (INCLUDING, WITHOUT LIMITATION, DAMAGES FOR LOSS OF PROFITS, BUSINESS INTERRUPTION, OR LOSS OF INFORMATION) ARISING OUT OF THE USE OR INABILITY TO USE THIS DOCUMENT, EVEN IF ATMEL HAS BEEN ADVISED OF THE POSSIBILITY OF SUCH DAMAGES.** Atmel makes no representations or warranties with respect to the accuracy or completeness of the contents of this document and reserves the right to make changes to specifications and product descriptions at any time without notice. Atmel does not make any commitment to update the information contained herein. Unless specifically provided otherwise, Atmel products are not suitable for, and shall not be used in, automotive applications. Atmel's products are not intended, authorized, or warranted for use as components in applications intended to support or sustain life.

© 2012 – 2013 Atmel Corporation. All rights reserved. Atmel®, Atmel logo and combinations thereof, QMatrix®, and others are registered trademarks, maXTouch™ and others are trademarks of Atmel Corporation or its subsidiaries. Other terms and product names may be registered trademarks or trademarks of others.