

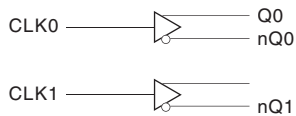
### General Description

The ICS85322I is a Dual LVCMOS / LVTTL-to- Differential 2.5V / 3.3V LVPECL translator. The ICS85322I has selectable single ended clock inputs. The single ended clock input accepts LVCMOS or LVTTL input levels and translate them to 2.5V / 3.3V LVPECL levels. The small outline 8-pin SOIC or TSSOP package makes this device ideal for applications where space, high performance and low power are important.

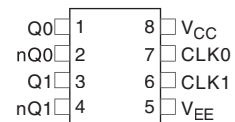
### Features

- Two differential 2.5V/3.3V LVPECL outputs
- Selectable CLK0, CLK1 LVCMOS/LVTTL clock inputs
- CLK0 and CLK1 can accepts the following input levels: LVCMOS or LVTTL
- Maximum output frequency: 267MHz
- Part-to-part skew: 250ps (maximum)
- 3.3V operating supply voltage (operating range 3.135V to 3.465V)
- 2.5V operating supply voltage (operating range 2.375V to 2.625V)
- -40°C to 85°C ambient operating temperature
- Lead-free (RoHS 6) packaging

### Block Diagram



### Pin Assignment



**ICS85322I**  
**8-Lead SOIC**  
**3.90mm x 4.92mm x 1.37mm body package**  
**M Package**

**8-Lead TSSOP**  
**3.0mm x 3.0mm body package**  
**G Package**

**Top View**

## Pin Descriptions and Characteristics

**Table 1. Pin Descriptions**

| Number | Name            | Type   |        | Description  |
|--------|-----------------|--------|--------|--|
| 1, 2   | Q0, nQ0         | Output |        | Differential output pair. LVPECL interface levels. |
| 3, 4   | Q1, nQ1         | Output |        | Differential output pair. LVPECL interface levels. |
| 5      | V <sub>EE</sub> | Power  |        | Negative supply pin.                               |
| 6      | CLK1            | Input  | Pullup | LVC MOS/LVTTL clock input.                         |
| 7      | CLK0            | Input  | Pullup | LVC MOS/LVTTL clock input.                         |
| 8      | V <sub>CC</sub> | Power  |        | Positive supply pin.                               |

NOTE: *Pullup* refers to internal input resistors. See Table 2, *Pin Characteristics*, for typical values.

**Table 2. Pin Characteristics**

| Symbol              | Parameter             | Test Conditions | Minimum | Typical | Maximum | Units |
|---------------------|-----------------------|-----------------|---------|---------|---------|-------|
| C <sub>IN</sub>     | Input Capacitance     |                 |         | 4       |         | pF    |
| R <sub>PULLUP</sub> | Input Pullup Resistor |                 |         | 51      |         | kΩ    |

## Absolute Maximum Ratings

NOTE: Stresses beyond those listed under *Absolute Maximum Ratings* may cause permanent damage to the device. These ratings are stress specifications only. Functional operation of the product at these conditions or any conditions beyond those listed in the *DC Characteristics* or *AC Characteristics* is not implied. Exposure to absolute maximum rating conditions for extended periods may affect product reliability.

| Item  | Rating                   |
|---|--------------------------|
| Supply Voltage, $V_{CC}$                              | 4.6V                     |
| Inputs, $V_I$   | -0.5V to $V_{CC} + 0.5V$ |
| Outputs, $I_O$<br>Continuous Current<br>Surge Current | 50mA<br>100mA            |
| Junction Temperature, $T_J$                           | 125°C                    |
| Storage Temperature, $T_{STG}$                        | -65°C to 150°C           |

## DC Electrical Characteristics

**Table 3A. Power Supply DC Characteristics,  $V_{CC} = 3.3V \pm 5\%$ ,  $T_A = -40^\circ C$  to  $85^\circ C$**

| Symbol   | Parameter               | Test Conditions | Minimum | Typical | Maximum | Units |
|----------|-------------------------|-----------------|---------|---------|---------|-------|
| $V_{CC}$ | Positive Supply Voltage |                 | 3.135   | 3.3     | 3.465   | V     |
| $I_{EE}$ | Positive Supply Current |                 |         |         | 25      | mA    |

**Table 3B. LVCMOS/LVTTL DC Characteristics,  $V_{CC} = 3.3V \pm 5\%$ ,  $T_A = -40^\circ C$  to  $85^\circ C$**

| Symbol   | Parameter          | Test Conditions                          | Minimum | Typical | Maximum        | Units   |
|----------|--------------------|--|---------|---------|----------------|---------|
| $V_{IH}$ | Input High Voltage | CLK0, CLK1                               | 2       |         | $V_{CC} + 0.3$ | V       |
| $V_{IL}$ | Input Low Voltage  | CLK0, CLK1                               | -0.3    |         | 1.3            | V       |
| $I_{IH}$ | Input High Current | CLK0, CLK1<br>$V_{CC} = V_{IN} = 3.465V$ |         |         | 5              | $\mu A$ |
| $I_{IL}$ | Input Low Current  | CLK0, CLK1<br>$V_{CC} = V_{IN} = 3.465V$ | -150    |         |                | $\mu A$ |

**Table 3C. LVPECL DC Characteristics,  $V_{CC} = 3.3V \pm 5\%$ ,  $T_A = -40^\circ C$  to  $85^\circ C$**

| Symbol      | Parameter                         | Test Conditions            | Minimum        | Typical | Maximum        | Units |
|-------------|-----------------------------------|----------------------------|----------------|---------|----------------|-------|
| $V_{OH}$    | Output High Voltage; NOTE 1       | $V_{CC} = V_{IN} = 3.465V$ | $V_{CC} - 1.4$ |         | $V_{CC} - 0.9$ | V     |
| $V_{OL}$    | Output Low Voltage; NOTE 1        | $V_{CC} = V_{IN} = 3.465V$ | $V_{CC} - 2.0$ |         | $V_{CC} - 1.7$ | V     |
| $V_{SWING}$ | Peak-to-Peak Output Voltage Swing |                            | 0.65           |         | 1.0            | V     |

NOTE 1: Outputs terminated with  $50\Omega$  to  $V_{CC} - 2V$ .

**Table 3D. Power Supply DC Characteristics,  $V_{CC} = 2.5V \pm 5\%$ ,  $T_A = -40^{\circ}C$  to  $85^{\circ}C$** 

| Symbol   | Parameter               | Test Conditions | Minimum | Typical | Maximum | Units |
|----------|-------------------------|-----------------|---------|---------|---------|-------|
| $V_{CC}$ | Positive Supply Voltage |                 | 2.375   | 2.5     | 2.625   | V     |
| $I_{EE}$ | Power Supply Current    |                 |         |         | 25      | mA    |

**Table 3E. LVCMOS/LVTTL DC Characteristics,  $V_{CC} = 2.5V \pm 5\%$ ,  $T_A = -40^{\circ}C$  to  $85^{\circ}C$** 

| Symbol   | Parameter          | Test Conditions                          | Minimum | Typical | Maximum        | Units   |
|----------|--------------------|--|---------|---------|----------------|---------|
| $V_{IH}$ | Input High Voltage | CLK0, CLK1                               | 1.6     |         | $V_{CC} + 0.3$ | V       |
| $V_{IL}$ | Input Low Voltage  | CLK0, CLK1                               | -0.3    |         | 0.9            | V       |
| $I_{IH}$ | Input High Current | CLK0, CLK1<br>$V_{CC} = V_{IN} = 2.625V$ |         |         | 5              | $\mu A$ |
| $I_{IL}$ | Input Low Current  | CLK0, CLK1<br>$V_{CC} = V_{IN} = 2.625V$ | -150    |         |                | $\mu A$ |

**Table 3F. LVPECL DC Characteristics,  $V_{CC} = 2.5V \pm 5\%$ ,  $T_A = -40^{\circ}C$  to  $85^{\circ}C$** 

| Symbol      | Parameter                         | Test Conditions | Minimum        | Typical | Maximum        | Units |
|-------------|-----------------------------------|-----------------|----------------|---------|----------------|-------|
| $V_{OH}$    | Output High Voltage; NOTE 1       |                 | $V_{CC} - 1.4$ |         | $V_{CC} - 0.9$ | V     |
| $V_{OL}$    | Output Low Voltage; NOTE 1        |                 | $V_{CC} - 2.0$ |         | $V_{CC} - 1.7$ | V     |
| $V_{SWING}$ | Peak-to-Peak Output Voltage Swing |                 | 0.65           |         | 1.0            | V     |

NOTE 1: Outputs terminated with  $50\Omega$  to  $V_{CC} - 2V$ .

## AC Electrical Characteristics

**Table 4A. AC Electrical Characteristics,  $V_{CC} = 3.3V \pm 5\%$ ,  $T_A = -40^{\circ}C$  to  $85^{\circ}C$**

| Symbol       | Parameter                       | Test Conditions    | Minimum | Typical | Maximum | Units |
|--------------|---------------------------------|--------------------|---------|---------|---------|-------|
| $f_{MAX}$    | Output Frequency                |                    |         |         | 267     | MHz   |
| $t_{PD}$     | Propagation Delay;<br>NOTE 1    | $f \leq 267MHz$    | 0.5     |         | 1.9     | ns    |
| $t_{sk(pp)}$ | Part-to-Part Skew;<br>NOTE 2, 3 |                    |         |         | 250     | ps    |
| $t_R / t_F$  | Output Rise/ Fall Time          | 20% to 80% @ 50MHz | 300     |         | 700     | ps    |
| odc          | Output Duty Cycle               |                    | 40      |         | 60      | %     |

NOTE: Electrical parameters are guaranteed over the specified ambient operating temperature range, which is established when the device is mounted in a test socket with maintained transverse airflow greater than 500 lfm. The device will meet specifications after thermal equilibrium has been reached under t

All parameters measured at 133MHz unless noted otherwise.hese conditions.

NOTE 1: Measured from  $V_{CC}/2$  point of the input to the differential output crosspoint.

NOTE 2: Defined as skew between outputs on different devices operating at the same supply voltages and with equal load conditions. Using the same type of inputs on each device, the outputs are measured at the differential crosspoints.

NOTE 3: This parameter is defined in accordance with JEDEC Standard 65.

**Table 4B. AC Electrical Characteristics,  $V_{CC} = 2.5V \pm 5\%$ ,  $T_A = -40^{\circ}C$  to  $85^{\circ}C$**

| Symbol       | Parameter                       | Test Conditions    | Minimum | Typical | Maximum | Units |
|--------------|---------------------------------|--------------------|---------|---------|---------|-------|
| $f_{MAX}$    | Output Frequency                |                    |         |         | 215     | MHz   |
| $t_{PD}$     | Propagation Delay;<br>NOTE 1    | $f \leq 215MHz$    | 0.7     |         | 2.1     | ns    |
| $t_{sk(pp)}$ | Part-to-Part Skew;<br>NOTE 2, 3 |                    |         |         | 250     | ps    |
| $t_R / t_F$  | Output Rise/ Fall Time          | 20% to 80% @ 50MHz | 300     |         | 700     | ps    |
| odc          | Output Duty Cycle               |                    | 40      |         | 60      | %     |

NOTE: Electrical parameters are guaranteed over the specified ambient operating temperature range, which is established when the device is mounted in a test socket with maintained transverse airflow greater than 500 lfm. The device will meet specifications after thermal equilibrium has been reached under t

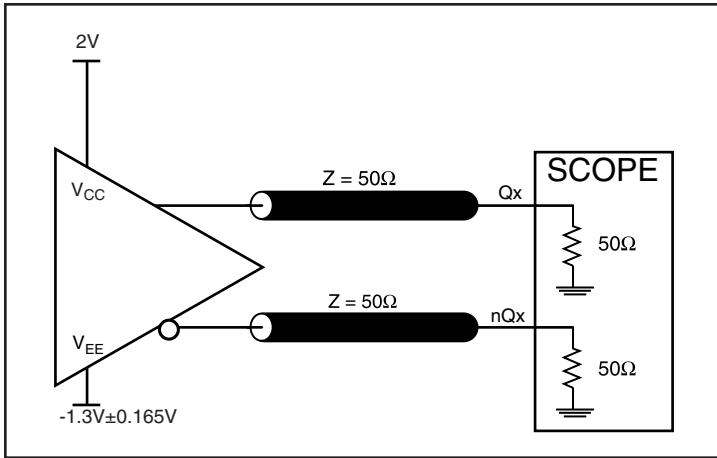
All parameters measured at 133MHz unless noted otherwise.hese conditions.

NOTE 1: Measured from  $V_{CC}/2$  point of the input to the differential output crosspoint.

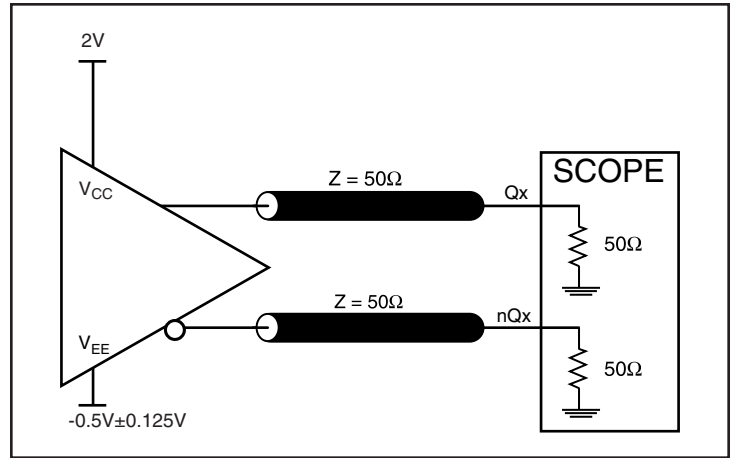
NOTE 2: Defined as skew between outputs on different devices operating at the same supply voltages and with equal load conditions. Using the same type of inputs on each device, the outputs are measured at the differential crosspoints.

NOTE 3: This parameter is defined in accordance with JEDEC Standard 65.

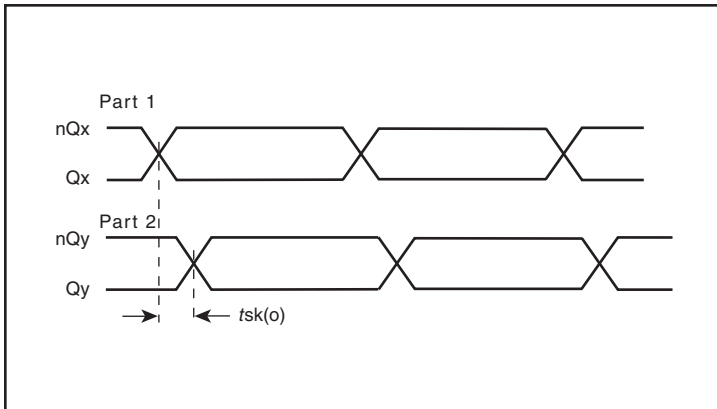
## Parameter Measurement Information



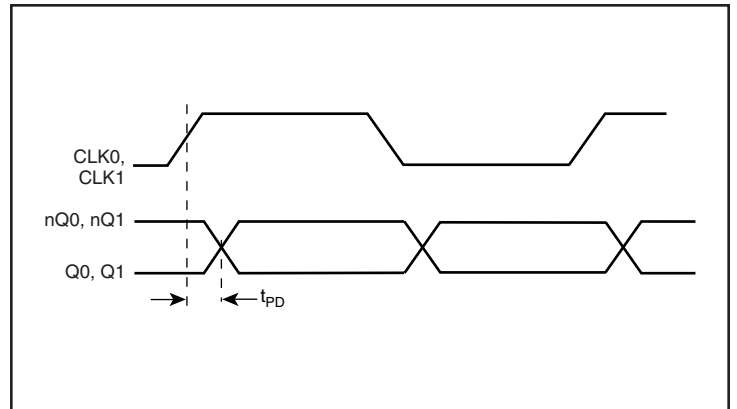
3.3V LVPECL Output Load AC Test Circuit



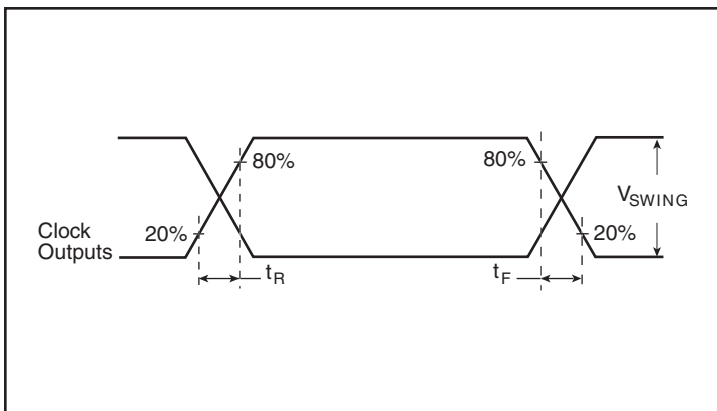
2.5V LVPECL Output Load AC Test Circuit



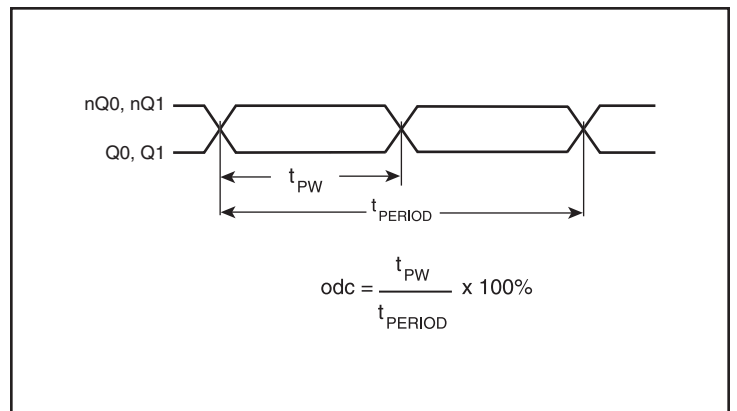
Part-to-Part Skew



PROPAGATION DELAY



Output Rise/Fall Time



Output Duty Cycle/Pulse Width/Period

## Applications Information

### Termination for 3.3V LVPECL Outputs

The clock layout topology shown below is a typical termination for LVPECL outputs. The two different layouts mentioned are recommended only as guidelines.

The differential output is a low impedance follower output that generate ECL/LVPECL compatible outputs. Therefore, terminating resistors (DC current path to ground) or current sources must be used for functionality. These outputs are designed to drive 50Ω

transmission lines. Matched impedance techniques should be used to maximize operating frequency and minimize signal distortion. *Figures 1A* and *1B* show two different layouts which are recommended only as guidelines. Other suitable clock layouts may exist and it would be recommended that the board designers simulate to guarantee compatibility across all printed circuit and clock component process variations.

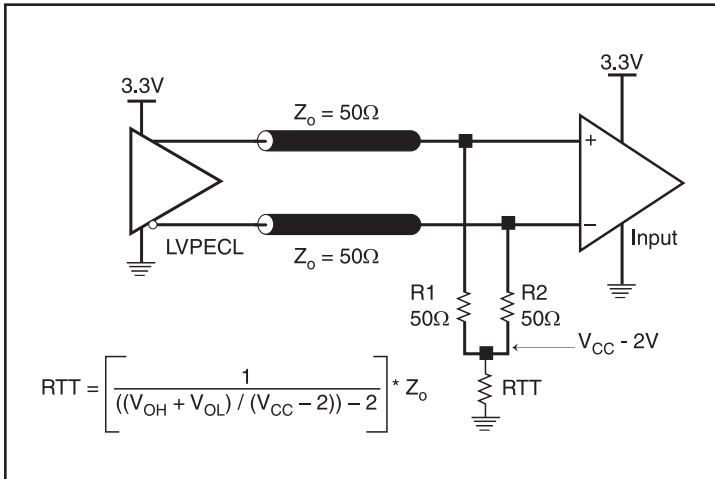


Figure 1A. 3.3V LVPECL Output Termination

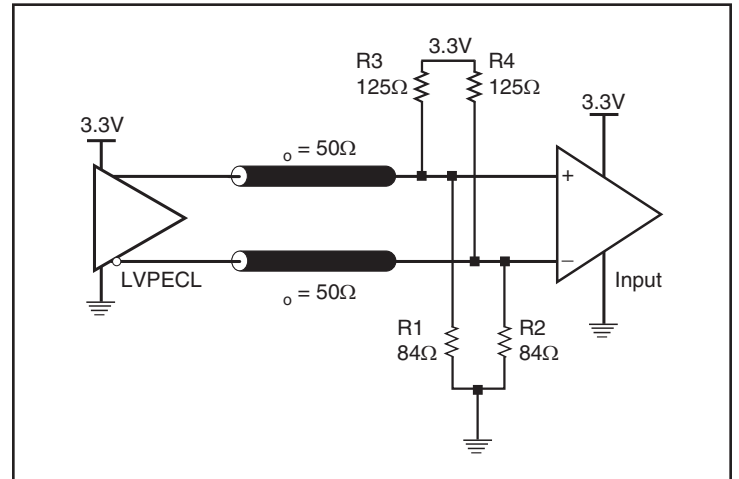


Figure 1B. 3.3V LVPECL Output Termination

## Termination for 2.5V LVPECL Outputs

Figure 2A and Figure 2B show examples of termination for 2.5V LVPECL driver. These terminations are equivalent to terminating  $50\Omega$  to  $V_{CC} - 2V$ . For  $V_{CC} = 2.5V$ , the  $V_{CC} - 2V$  is very close to ground

level. The R3 in Figure 2B can be eliminated and the termination is shown in Figure 2C.

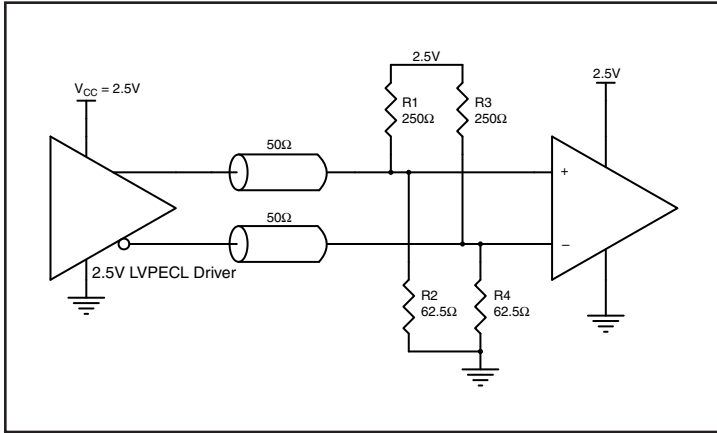


Figure 2A. 2.5V LVPECL Driver Termination Example

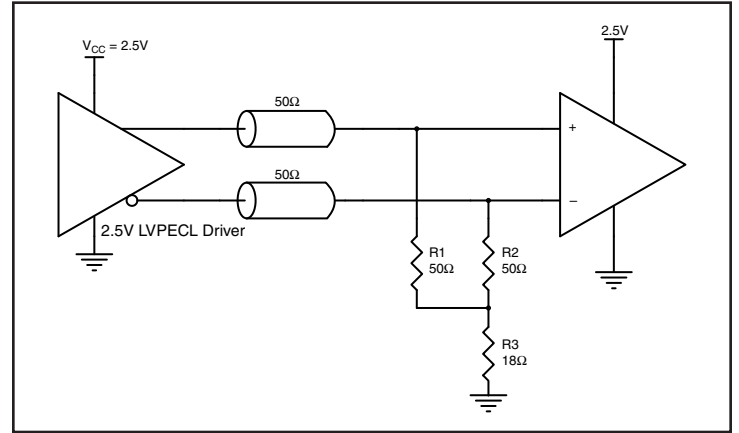


Figure 2B. 2.5V LVPECL Driver Termination Example

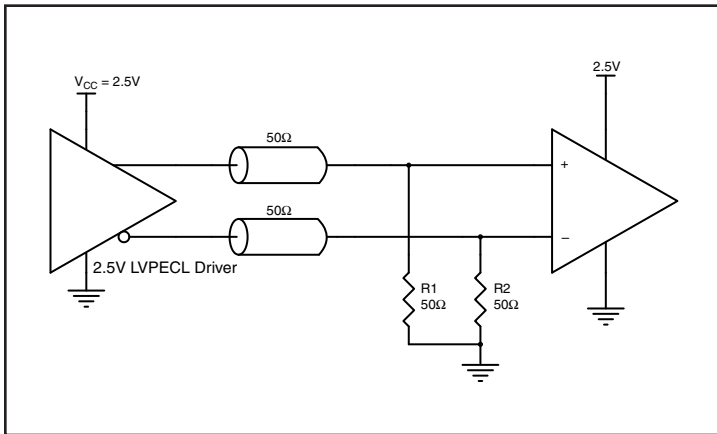


Figure 2C. 2.5V LVPECL Driver Termination Example



## Power Considerations

This section provides information on power dissipation and junction temperature for the IDT85322I. Equations and example calculations are also provided.

### 1. Power Dissipation.

The total power dissipation for the IDT85322I is the sum of the core power plus the power dissipated at the output(s). The following is the power dissipation for  $V_{CC} = 3.3V + 5\% 3.465V$ , which gives worst case results.

NOTE: Please refer to Section 3 for details on calculating power dissipated at the outputs.

- Power (core)<sub>MAX</sub> =  $V_{CC\_MAX} * I_{EE\_MAX} = 3.465V * 25mA = 86.6mW$
- Power (outputs)<sub>MAX</sub> = **30mW/Loaded Output pair**  
If all outputs are loaded, the total power is  $2 * 30mW = 60mW$

**Total Power**<sub>MAX</sub> (3.465V, with all outputs switching) =  $86.6mW + 60mW = 146.6mW$

### 2. Junction Temperature.

Junction temperature,  $T_j$ , is the temperature at the junction of the bond wire and bond pad directly affects the reliability of the device. The maximum recommended junction temperature is 125°C. Limiting the internal transistor junction temperature,  $T_j$ , to 125°C ensures that the bond wire and bond pad temperature remains below 125°C.

The equation for  $T_j$  is as follows:  $T_j = \theta_{JA} * Pd\_total + T_A$

$T_j$  = Junction Temperature

$\theta_{JA}$  = Junction-to-Ambient Thermal Resistance

$Pd\_total$  = Total Device Power Dissipation (example calculation is in section 1 above)

$T_A$  = Ambient Temperature

In order to calculate junction temperature, the appropriate junction-to-ambient thermal resistance  $\theta_{JA}$  must be used. Assuming no air flow and a multi-layer board, the appropriate value is 157°C/W per Table 5 below.

Therefore,  $T_j$  for an ambient temperature of 85°C with all outputs switching is:

$$85^\circ C + 0.147W * 157^\circ C/W = 108.1^\circ C. \text{ This is below the limit of } 125^\circ C.$$

This calculation is only an example.  $T_j$  will obviously vary depending on the number of loaded outputs, supply voltage, air flow and the type of board (multi-layer).

**Table 5. Thermal Resistance  $\theta_{JA}$  for 8-Lead TSSOP/SOIC**

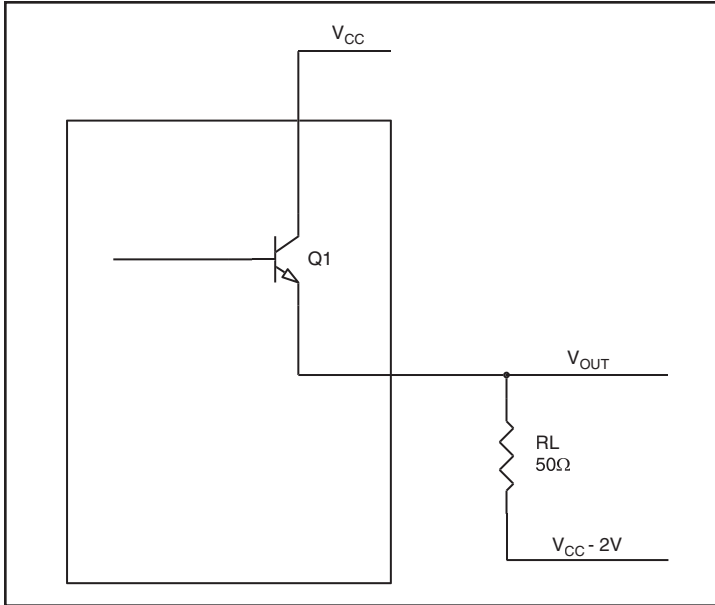
| Meters per Second | $\theta_{JA}$ by Velocity |         |         |
|-------------------|---------------------------|---------|---------|
|                   | 0                         | 1       | 2       |
| 8-Lead TSSOP      | 157°C/W                   | 154°C/W | 151°C/W |
| 8-Lead SOIC       | 103°C/W                   | 94°C/W  | 89°C/W  |

NOTE: Above  $\theta_{JA}$  values are the simulation result using JEDEC Standard Multi-Layer Test Board.

### 3. Calculations and Equations.

The purpose of this section is to calculate the power dissipation at the output(s).

LVPECL output driver circuit and termination are shown in *Figure 3*.



**Figure 3. LVPECL Driver Circuit and Termination**

To calculate worst case power dissipation at the output(s), use the following equations which assume a 50Ω load, and a termination voltage of  $V_{CC} - 2V$ .

- For logic high,  $V_{OUT} = V_{OH\_MAX} = V_{CC\_MAX} - 0.9V$   
 $(V_{CC\_MAX} - V_{OH\_MAX}) = 0.9V$
- For logic low,  $V_{OUT} = V_{OL\_MAX} = V_{CC\_MAX} - 1.7V$   
 $(V_{CC\_MAX} - V_{OL\_MAX}) = 1.7V$

$Pd\_H$  is the power dissipation when the output drives high.

$Pd\_L$  is the power dissipation when the output drives low.

$$\begin{aligned} Pd\_H &= [(V_{OH\_MAX} - (V_{CC\_MAX} - 2V))/R_L] * (V_{CC\_MAX} - V_{OH\_MAX}) \\ &= [(2V - (V_{CC\_MAX} - V_{OH\_MAX}))/R_L] * (V_{CC\_MAX} - V_{OH\_MAX}) \\ &= [(2V - 0.9V)/50\Omega] * 0.9V = \mathbf{19.8mW} \end{aligned}$$

$$\begin{aligned} Pd\_L &= [(V_{OL\_MAX} - (V_{CC\_MAX} - 2V))/R_L] * (V_{CC\_MAX} - V_{OL\_MAX}) \\ &= [(2V - (V_{CC\_MAX} - V_{OL\_MAX}))/R_L] * (V_{CC\_MAX} - V_{OL\_MAX}) \\ &= [(2V - 1.7V)/50\Omega] * 1.7V = \mathbf{10.2mW} \end{aligned}$$

Total Power Dissipation per output pair =  $Pd\_H + Pd\_L = \mathbf{30mW}$

## Reliability Information

**Table 6.  $\theta_{JA}$  vs. Air Flow Table for a 8-Lead TSSOP/SOIC**

| $\theta_{JA}$ by Velocity |         |         |         |
|---------------------------|---------|---------|---------|
| Meters per Second         | 0       | 1       | 2       |
| 8-Lead TSSOP              | 157°C/W | 154°C/W | 151°C/W |
| 8-Lead SOIC               | 103°C/W | 94°C/W  | 89°C/W  |

NOTE: Above  $\theta_{JA}$  values are the simulation result using JEDEC Standard Multi-Layer Test Board.

## Transistor Count

The transistor count for the ICS85322I is: 269

## 8-Lead SOIC Package Outline and Dimensions

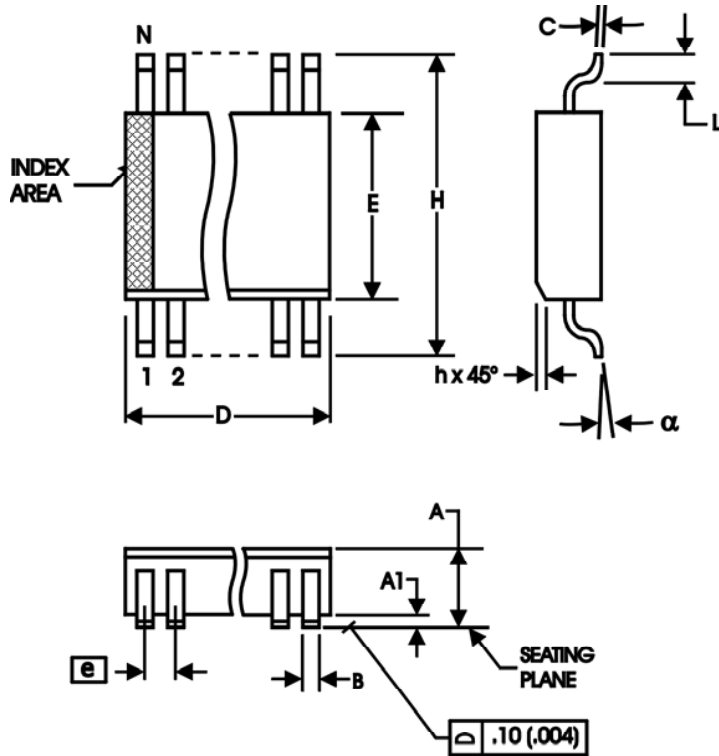


Table 8. Package Dimensions

| All Dimensions in Millimeters |            |         |
|-------------------------------|------------|---------|
| Symbol                        | Minimum    | Maximum |
| N                             | 8          |         |
| A                             | 1.35       | 1.75    |
| A1                            | 0.10       | 0.25    |
| B                             | 0.33       | 0.51    |
| C                             | 0.19       | 0.25    |
| D                             | 4.80       | 5.00    |
| E                             | 3.80       | 4.00    |
| e                             | 1.27 Basic |         |
| H                             | 5.80       | 6.20    |
| h                             | 0.25       | 0.50    |
| L                             | 0.40       | 1.27    |
| $\alpha$                      | 0°         | 8°      |

Reference Document: JEDEC Publication 95, MO-012

## 8-Lead TSSOP Package Outline and Dimensions

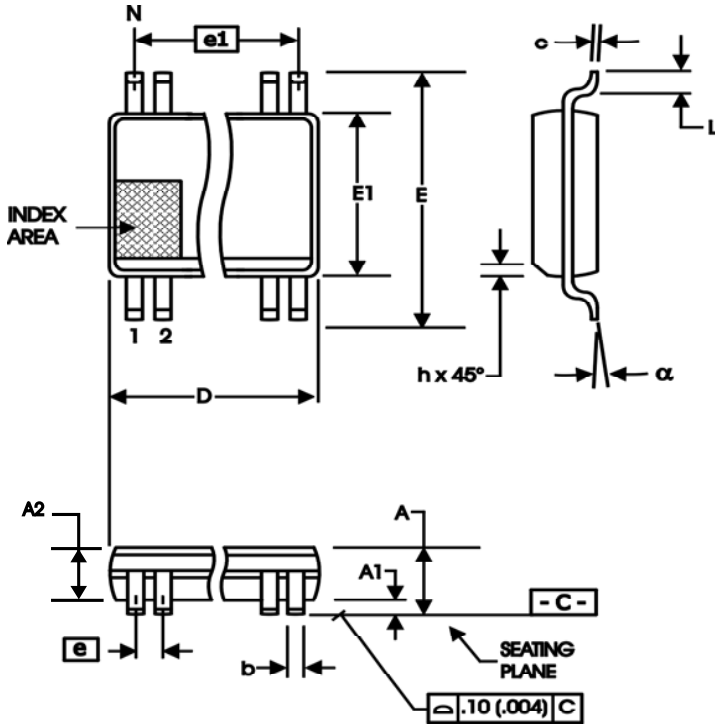


Table 8. Package Dimensions

| All Dimensions in Millimeters |            |         |
|-------------------------------|------------|---------|
| Symbol                        | Minimum    | Maximum |
| A                             | –          | 1.10    |
| A1                            | 0          | 0.15    |
| A2                            | 0.79       | 1.05    |
| c                             | 0.08       | 0.23    |
| D                             | 3.00 BASIC |         |
| E                             | 4.90 BASIC |         |
| E1                            | 3.00 BASIC |         |
| L                             | 0.40       | 0.80    |
|                               | 0°         | 8°      |
| aaa                           | –          | 0.10    |

### Variations

|               | mm.        |         |
|---------------|------------|---------|
|               | Minimum    | Maximum |
| <b>N = 8</b>  |            |         |
| b             | 0.22       | 0.38    |
| e             | 0.65 BASIC |         |
| e1            | 1.95 BASIC |         |
| <b>N = 10</b> |            |         |
| b             | 0.17       | 0.27    |
| e             | 0.50 BASIC |         |
| e1            | 2.00 BASIC |         |

Reference Document: JEDEC Publication 95, MO-187

## Ordering Information

Table 8. Ordering Information

| Part/Order Number | Marking  | Package                  | Shipping Packaging | Temperature   |
|-------------------|----------|--------------------------|--------------------|---------------|
| 85322AGILF        | 2AIL     | "Lead-Free" 8-Lead TSSOP | Tube               | -40°C to 85°C |
| 85322AGILFT       | 2AIL     | "Lead-Free" 8-Lead TSSOP | Tape & Reel        | -40°C to 85°C |
| 85322AMILF        | 85322AIL | "Lead-Free" 8-Lead SOIC  | Tube               | -40°C to 85°C |
| 85322AMILFT       | 85322AIL | "Lead-Free" 8-Lead SOIC  | Tape & Reel        | -40°C to 85°C |

## Revision History Sheet

| Rev | Table | Page  | Description of Change  | Date    |
|-----|-------|-------|--|---------|
| A   |       | 8     | Added Termination for LVPECL Outputs section.  | 5/30/02 |
| A   |       | 6     | 3.3V Output Load Test Circuit Diagram, corrected $V_{EE} = -1.3V \pm 0.135V$ to read $V_{EE} = -1.3V \pm 0.165V$ .                               | 8/23/02 |
|     |       | 7     | Updated Output Rise/Fall Time Diagram.   |         |
| B   | T2    | 2     | Pin Characteristics Table - changed $C_{IN}$ 4pF max. to 4pF typical.  | 10/7/03 |
|     |       | 3     | Absolute Maximum Ratings, updated Inputs ratings.  |         |
|     |       | 6     | Updated 3.3V LVPECL Output Termination Diagrams.   |         |
|     |       | 7     | Added Termination for 2.5V LVPECL Outputs.<br>Updated format throughout data sheet.  |         |
| C   | T2    | 1     | Features Section - added lead-free bullet.   | 4/11/07 |
|     | T3C   | 2     | Pin Characteristics Table - deleted RPulldown row.   |         |
|     | T3F   | 3     | LVPECL 3.3V DC Characteristics Table -corrected $V_{OH}$ max. from $V_{CC} - 1.0V$ to $V_{CC} - 0.9V$ ; and $V_{SWING}$ max. from 0.85V to 1.0V. |         |
|     |       | 4     | LVPECL 2.5V DC Characteristics Table -corrected $V_{OH}$ max. from $V_{CC} - 1.0V$ to $V_{CC} - 0.9V$ ; and $V_{SWING}$ max. from 0.85V to 1.0V. |         |
|     |       | 8 - 9 | Power Considerations - corrected power dissipation to reflect $V_{OH}$ max in Table 3C & 3F.   |         |
|     | T8    | 12    | Ordering Information Table - added lead-free part number, marking, and note.   |         |
| D   | T8    |       | Updated datasheet's header/footer with IDT from ICS.   | 7/28/10 |
|     |       | 12    | Removed ICS prefix from Part/Order Number column.  |         |
|     |       | 14    | Added Contact Page.  |         |
| D   |       | 1     | Added TSSOP package information.   | 3/10/14 |
|     |       | 3     | Changed 'Package Thermal Impedance, $\theta_{JA}$ - 112.7°C/W (0 lfpm)' to 'Junction Temperature, $T_J$ - 125°C'.                                |         |
|     |       | 8     | Updated Power Considerations.  |         |
|     | T5    |       | Replaced Thermal Resistance $\theta_{JA}$ table with 8-Lead TSSOP/SOIC.  |         |
|     | T6    | 10    | Replaced $\theta_{JA}$ vs. Air Flow table with 8-Lead TSSOP/SOIC.  |         |
|     |       | 12    | Added Package drawing for 8-Lead TSSOP.  |         |





## IMPORTANT NOTICE AND DISCLAIMER

RENESAS ELECTRONICS CORPORATION AND ITS SUBSIDIARIES (“RENESAS”) PROVIDES TECHNICAL SPECIFICATIONS AND RELIABILITY DATA (INCLUDING DATASHEETS), DESIGN RESOURCES (INCLUDING REFERENCE DESIGNS), APPLICATION OR OTHER DESIGN ADVICE, WEB TOOLS, SAFETY INFORMATION, AND OTHER RESOURCES “AS IS” AND WITH ALL FAULTS, AND DISCLAIMS ALL WARRANTIES, EXPRESS OR IMPLIED, INCLUDING, WITHOUT LIMITATION, ANY IMPLIED WARRANTIES OF MERCHANTABILITY, FITNESS FOR A PARTICULAR PURPOSE, OR NON-INFRINGEMENT OF THIRD PARTY INTELLECTUAL PROPERTY RIGHTS.

These resources are intended for developers skilled in the art designing with Renesas products. You are solely responsible for (1) selecting the appropriate products for your application, (2) designing, validating, and testing your application, and (3) ensuring your application meets applicable standards, and any other safety, security, or other requirements. These resources are subject to change without notice. Renesas grants you permission to use these resources only for development of an application that uses Renesas products. Other reproduction or use of these resources is strictly prohibited. No license is granted to any other Renesas intellectual property or to any third party intellectual property. Renesas disclaims responsibility for, and you will fully indemnify Renesas and its representatives against, any claims, damages, costs, losses, or liabilities arising out of your use of these resources. Renesas' products are provided only subject to Renesas' Terms and Conditions of Sale or other applicable terms agreed to in writing. No use of any Renesas resources expands or otherwise alters any applicable warranties or warranty disclaimers for these products.

(Disclaimer Rev.1.0 Mar 2020)

### Corporate Headquarters

TOYOSU FORESIA, 3-2-24 Toyosu,  
Koto-ku, Tokyo 135-0061, Japan  
[www.renesas.com](http://www.renesas.com)

### Contact Information

For further information on a product, technology, the most up-to-date version of a document, or your nearest sales office, please visit:  
[www.renesas.com/contact/](http://www.renesas.com/contact/)

### Trademarks

Renesas and the Renesas logo are trademarks of Renesas Electronics Corporation. All trademarks and registered trademarks are the property of their respective owners.