

# Mobile LPDDR3 SDRAM

MT52L256M32D1PF, MT52L512M32D2PF, \*MT52L1G32D4PG

## Features

- Ultra-low-voltage core and I/O power supplies
- Frequency range
  - 1066–10 MHz (data rate range: 2133–20 Mb/s/pin)
- 8n prefetch DDR architecture
- 8 internal banks for concurrent operation
- Multiplexed, double data rate, command/address inputs; commands entered on each CK<sub>t</sub>/CK<sub>c</sub> edge
- Bidirectional/differential data strobe per byte of data (DQS<sub>t</sub>/DQS<sub>c</sub>)
- Programmable READ and WRITE latencies (RL/WL)
- Burst length: 8
- Per-bank refresh for concurrent operation
- Temperature-compensated self refresh (TCSR)
- Partial-array self refresh (PASR)
- Deep power-down mode (DPD)
- Selectable output drive strength (DS)
- Clock-stop capability
- On-die termination (ODT)
- RoHS-compliant, “green” packaging

## Options

- V<sub>DD1</sub>/V<sub>DD2</sub>/V<sub>DDCA</sub>/V<sub>DDQ</sub>:  
1.8V/1.2V/1.2V/1.2V
- Array configuration
  - 256 Meg x 32 (SDP)
  - 512 Meg x 32 (DDP)
  - 1 Gig x 32 (QDP)
- Device configuration
  - 1 die in package
  - 2 die in package
  - 4 die in package
- 178-ball FBGA “green” package
  - 11mm x 11.5mm x 0.85mm MAX, 1 die, 2 die
  - 12mm x 11.5mm x 1.0mm MAX, 4 die
- Speed grade, cycle time
  - 938ps @ RL = 16
  - 1.071ns @ RL = 14
- Operating temperature range
  - From –30°C to +85°C

## Marking

- L
- 256M32
- 512M32
- 1G32
- D1
- D2
- D4
- PF
- PG
- 093
- 107
- WT
- :B

**Table 1: Key Timing Parameters**

Speed Grade	Clock Rate (MHz)	Data Rate (Mb/s/pin)	Write Latency (set A/set B)	Read Latency
–093	1066	2133	8/13	16
–107	933	1866	8/11	14

\* MT52L1G32D4PG :Support only for -107

**Table 2: Configuration Addressing**

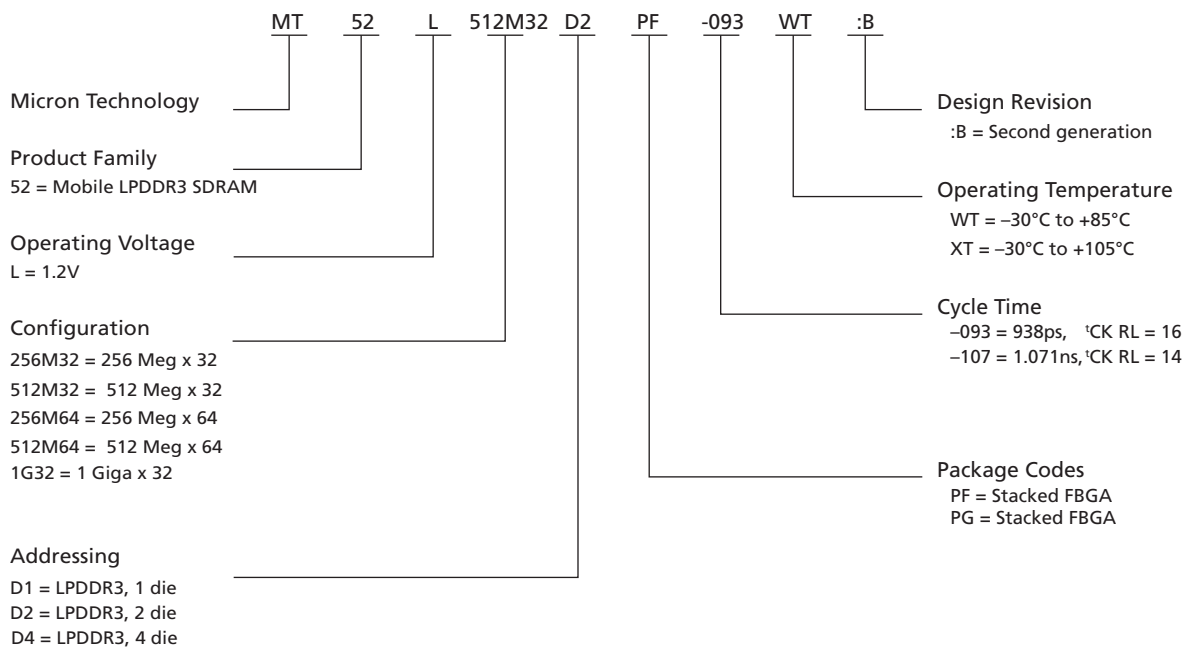
Architecture		1 Gig x 32	512 Meg x 32	256 Meg x 32
Density per package		32Gb	16Gb	8Gb
Die per package		4	2	1
Ranks (CS <sub>n</sub> ) per channel		2	2	1
Die per rank	CS0 <sub>n</sub>	2	1	1
	CS1 <sub>n</sub>	2	1	–

**Table 2: Configuration Addressing (Continued)**

Architecture		1 Gig x 32	512 Meg x 32	256 Meg x 32
Configuration per rank (CS_n)	CS0_n	64 Meg x 16 x 8 banks x 2 rank	32 Meg x 32 x 8 banks	32 Meg x 32 x 8 banks
	CS1_n	64 Meg x 16 x 8 banks x 2 rank	32 Meg x 32 x 8 banks	–
Row addressing		32K A[14:0]	32K A[14:0]	32K A[14:0]
Column addressing/CS_n		2K A[10:0]	1K A[9:0]	1K A[9:0]

## Part Number Ordering Information

**Figure 1: Part Number Chart**



## FBGA Part Marking Decoder

Due to space limitations, FBGA-packaged components have an abbreviated part marking that is different from the part number. Micron’s FBGA part marking decoder is available at [www.micron.com/decoder](http://www.micron.com/decoder).

In timing diagrams, “CMD” is used as an indicator only. Actual signals occur on CA[5:0].

V<sub>REF</sub> indicates V<sub>REFCA</sub> and V<sub>REFDQ</sub>.



## Contents

Ball Assignments .....	10
Ball Descriptions .....	12
Package Block Diagrams .....	14
Package Dimensions .....	17
MR0, MR5, MR6, MR8 Readout .....	19
I <sub>DD</sub> Specifications – Single Die .....	20
Pin Capacitance .....	24
LPDDR3 Array Configuration .....	25
General Notes .....	25
Functional Description .....	26
Simplified Bus Interface State Diagram .....	28
Power-Up and Initialization .....	30
Voltage Ramp and Device Initialization .....	30
Initialization After Reset (Without Voltage Ramp) .....	32
Power-Off Sequence .....	33
Uncontrolled Power-Off Sequence .....	33
Standard Mode Register Definition .....	34
Mode Register Assignments and Definitions .....	34
Commands and Timing .....	44
ACTIVATE Command .....	45
8-Bank Device Operation .....	45
Read and Write Access Modes .....	46
Burst READ Command .....	47
<sup>t</sup> DQSCK Delta Timing .....	49
Burst WRITE Command .....	53
Write Data Mask .....	57
PRECHARGE Command .....	58
Burst READ Operation Followed by PRECHARGE .....	59
Burst WRITE Followed by PRECHARGE .....	60
Auto Precharge .....	61
Burst READ with Auto Precharge .....	61
Burst WRITE with Auto Precharge .....	62
REFRESH Command .....	64
REFRESH Requirements .....	67
SELF REFRESH Operation .....	69
Partial-Array Self Refresh (PASR) – Bank Masking .....	70
Partial-Array Self Refresh – Segment Masking .....	70
MODE REGISTER READ .....	72
MRR Following Idle Power-Down State .....	73
Temperature Sensor .....	74
DQ Calibration .....	75
MODE REGISTER WRITE .....	77
MRW RESET Command .....	77
MRW ZQ Calibration Commands .....	78
ZQ External Resistor Value, Tolerance, and Capacitive Loading .....	81
MRW – CA Training Mode .....	81
MRW - Write Leveling Mode .....	83
On-Die Termination (ODT) .....	85
ODT Mode Register .....	85
Asynchronous ODT .....	85



## 178-Ball, Single-Channel Mobile LPDDR3 SDRAM Part Number Ordering Information

ODT During READ Operations (READ or MRR)	86
ODT During Power-Down	86
ODT During Self Refresh	86
ODT During Deep Power-Down	86
ODT During CA Training and Write Leveling	86
Power-Down	89
Deep Power-Down	95
Input Clock Frequency Changes and Stop Events	96
Input Clock Frequency Changes and Clock Stop with CKE LOW	96
Input Clock Frequency Changes and Clock Stop with CKE HIGH	97
NO OPERATION Command	97
Truth Tables	98
Absolute Maximum Ratings	105
Electrical Specifications – I <sub>DD</sub> Measurements and Conditions	106
I <sub>DD</sub> Specifications	108
AC and DC Operating Conditions	110
AC and DC Logic Input Measurement Levels for Single-Ended Signals	111
V <sub>REF</sub> Tolerances	112
Input Signal	113
AC and DC Logic Input Measurement Levels for Differential Signals	115
Single-Ended Requirements for Differential Signals	116
Differential Input Crosspoint Voltage	117
Input Slew Rate	118
Output Characteristics and Operating Conditions	120
Single-Ended Output Slew Rate	120
Differential Output Slew Rate	122
HSUL <sub>12</sub> Driver Output Timing Reference Load	124
Output Driver Impedance	125
Output Driver Impedance Characteristics with ZQ Calibration	126
Output Driver Temperature and Voltage Sensitivity	126
Output Impedance Characteristics Without ZQ Calibration	127
ODT Levels and I-V Characteristics	131
Clock Specification	132
<sup>t</sup> CK(abs), <sup>t</sup> CH(abs), and <sup>t</sup> CL(abs)	133
Clock Period Jitter	133
Clock Period Jitter Effects on Core Timing Parameters	133
Cycle Time Derating for Core Timing Parameters	134
Clock Cycle Derating for Core Timing Parameters	134
Clock Jitter Effects on Command/Address Timing Parameters	134
Clock Jitter Effects on Read Timing Parameters	134
Clock Jitter Effects on Write Timing Parameters	135
Refresh Requirements	136
AC Timing	137
CA and CS <sub>n</sub> Setup, Hold, and Derating	144
Data Setup, Hold, and Slew Rate Derating	151
Revision History	158
Rev. E – 5/2020	158
Rev. D – 4/16	158
Rev. C – 3/16	158
Rev. B – 9/15	158
Rev. A – 11/14	158

## List of Figures

Figure 1: Part Number Chart .....	2
Figure 2: 178-Ball Single-Channel FBGA – 1 x 8Gb Die .....	10
Figure 3: 178-Ball Single-Channel FBGA – 2 x 8Gb Die .....	11
Figure 4: 178-Ball Single-Channel FBGA – 4 x 8Gb Die .....	12
Figure 5: Single-Die, Single-Channel Package Block Diagram .....	14
Figure 6: Dual-Rank, Dual-Die, Single-Channel Package Block Diagram .....	15
Figure 7: Quad-Die, Single-Channel Package Block Diagram .....	16
Figure 8: 178-Ball FBGA (11mm x 11.5mm), MT52L256M32D1PF, MT52L512M32D2PF .....	17
Figure 9: 178-Ball FBGA (12.0mm x 11.5mm), MT52L1G32D4PG .....	18
Figure 10: Functional Block Diagram .....	27
Figure 11: Simplified State Diagram .....	29
Figure 12: Voltage Ramp and Initialization Sequence .....	32
Figure 13: Command and Input Setup and Hold .....	44
Figure 14: CKE Input Setup and Hold .....	44
Figure 15: ACTIVATE Command .....	45
Figure 16: <sup>t</sup> FAW Timing .....	46
Figure 17: READ Output Timing .....	47
Figure 18: Burst READ – RL = 12, BL = 8, <sup>t</sup> DQSCK > <sup>t</sup> CK .....	47
Figure 19: Burst READ – RL = 12, BL = 8, <sup>t</sup> DQSCK < <sup>t</sup> CK .....	48
Figure 20: Burst READ Followed by Burst WRITE – RL = 12, WL = 6, BL = 8 .....	48
Figure 21: Seamless Burst READ – RL = 6, BL = 8, <sup>t</sup> CCD = 4 .....	49
Figure 22: <sup>t</sup> DQSCKDL Timing .....	50
Figure 23: <sup>t</sup> DQSCKDM Timing .....	51
Figure 24: <sup>t</sup> DQSCKDS Timing .....	52
Figure 25: Data Input (WRITE) Timing .....	53
Figure 26: Burst WRITE .....	54
Figure 27: Method for Calculating <sup>t</sup> WPRE Transitions and Endpoints .....	54
Figure 28: Method for Calculating <sup>t</sup> WPST Transitions and Endpoints .....	55
Figure 29: Burst WRITE Followed by Burst READ .....	55
Figure 30: Seamless Burst WRITE – WL = 4, BL = 8, <sup>t</sup> CCD = 4 .....	56
Figure 31: Data Mask Timing .....	57
Figure 32: Write Data Mask – Second Data Bit Masked .....	57
Figure 33: Burst READ Followed by PRECHARGE – BL = 8, RU( <sup>t</sup> RTP(MIN)/ <sup>t</sup> CK) = 2 .....	59
Figure 34: Burst WRITE Followed by PRECHARGE – BL = 8 .....	60
Figure 35: LPDDR3 – Burst READ with Auto Precharge .....	61
Figure 36: Burst WRITE with Auto Precharge – BL = 8 .....	62
Figure 37: REFRESH Command Timing .....	66
Figure 38: Postponing REFRESH Commands .....	66
Figure 39: Pulling In REFRESH Commands .....	66
Figure 40: All-Bank REFRESH Operation .....	68
Figure 41: Per-Bank REFRESH Operation .....	68
Figure 42: SELF REFRESH Operation .....	70
Figure 43: MRR Timing .....	72
Figure 44: READ to MRR Timing .....	73
Figure 45: Burst WRITE Followed by MRR .....	73
Figure 46: MRR After Idle Power-Down Exit .....	74
Figure 47: Temperature Sensor Timing .....	75
Figure 48: MR32 and MR40 DQ Calibration Timing .....	76
Figure 49: MODE REGISTER WRITE Timing .....	77
Figure 50: MODE REGISTER WRITE Timing for MRW RESET .....	78



Figure 51: ZQ Timings .....	80
Figure 52: CA Training Timing .....	81
Figure 53: Write-Leveling Timing .....	84
Figure 54: Functional Representation of On-Die Termination .....	85
Figure 55: Asynchronous ODT Timing – RL = 12 .....	87
Figure 56: Automatic ODT Timing During READ Operation – RL = <i>m</i> .....	88
Figure 57: ODT Timing During Power-Down, Self Refresh, Deep Power-Down Entry/Exit .....	88
Figure 58: Power-Down Entry and Exit Timing .....	90
Figure 59: CKE Intensive Environment .....	90
Figure 60: REFRESH to REFRESH Timing in CKE Intensive Environments .....	91
Figure 61: READ to Power-Down Entry .....	91
Figure 62: READ with Auto Precharge to Power-Down Entry .....	92
Figure 63: WRITE to Power-Down Entry .....	92
Figure 64: WRITE with Auto Precharge to Power-Down Entry .....	93
Figure 65: REFRESH Command to Power-Down Entry .....	93
Figure 66: ACTIVATE Command to Power-Down Entry .....	94
Figure 67: PRECHARGE Command to Power-Down Entry .....	94
Figure 68: MRR Power-Down Entry .....	95
Figure 69: MRW Command to Power-Down Entry .....	95
Figure 70: Deep Power-Down Entry and Exit Timing .....	96
Figure 71: $V_{REF}$ DC Tolerance and $V_{REF}$ AC Noise Limits .....	112
Figure 72: LPDDR3-1600 to LPDDR3-1333 Input Signal .....	113
Figure 73: LPDDR3-2133 to LPDDR3-1866 Input Signal .....	114
Figure 74: Differential AC Swing Time and $t_{DVAC}$ .....	115
Figure 75: Single-Ended Requirements for Differential Signals .....	116
Figure 76: $V_{IX}$ Definition .....	118
Figure 77: Differential Input Slew Rate Definition for CK and DQS .....	119
Figure 78: Single-Ended Output Slew Rate Definition .....	121
Figure 79: Differential Output Slew Rate Definition .....	122
Figure 80: Overshoot and Undershoot Definition .....	123
Figure 81: HSUL_12 Driver Output Reference Load for Timing and Slew Rate .....	124
Figure 82: Output Driver .....	125
Figure 83: Output Impedance = 240Ω, I-V Curves After ZQRESET .....	129
Figure 84: Output Impedance = 240Ω, I-V Curves After Calibration .....	130
Figure 85: ODT Functional Block Diagram .....	131
Figure 86: Typical Slew Rate and $t_{VAC} - t_{IS}$ for CA and CS_n Relative to Clock .....	147
Figure 87: Typical Slew Rate – $t_{IH}$ for CA and CS_n Relative to Clock .....	148
Figure 88: Tangent Line – $t_{IS}$ for CA and CS_n Relative to Clock .....	149
Figure 89: Tangent Line – $t_{IH}$ for CA and CS_n Relative to Clock .....	150
Figure 90: Typical Slew Rate and $t_{VAC} - t_{DS}$ for DQ Relative to Strobe .....	154
Figure 91: Typical Slew Rate – $t_{DH}$ for DQ Relative to Strobe .....	155
Figure 92: Tangent Line – $t_{DS}$ for DQ with Respect to Strobe .....	156
Figure 93: Tangent Line – $t_{DH}$ for DQ with Respect to Strobe .....	157





## List of Tables

Table 1: Key Timing Parameters .....	1
Table 2: Configuration Addressing .....	1
Table 3: Ball/Pad Descriptions .....	13
Table 4: I <sub>DD</sub> Specifications .....	20
Table 5: I <sub>DD6</sub> Partial-Array Self Refresh Current at 25°C .....	23
Table 6: I <sub>DD6</sub> Partial-Array Self Refresh Current at 85°C .....	23
Table 7: Input/Output Capacitance .....	24
Table 8: Voltage Ramp Conditions .....	30
Table 9: Initialization Timing Parameters .....	32
Table 10: Power Supply Conditions .....	33
Table 11: Power-Off Timing .....	33
Table 12: Mode Register Assignments .....	34
Table 13: MR0 Device Feature 0 (MA[7:0] = 00h) .....	35
Table 14: MR0 Op-Code Bit Definitions .....	35
Table 15: MR1 Device Feature 1 (MA[7:0] = 01h) .....	36
Table 16: MR1 Op-Code Bit Definitions .....	36
Table 17: Burst Sequence .....	36
Table 18: MR2 Device Feature 2 (MA[7:0] = 02h) .....	36
Table 19: MR2 Op-Code Bit Definitions .....	37
Table 20: LPDDR3 READ and WRITE Latency .....	37
Table 21: MR3 I/O Configuration 1 (MA[7:0] = 03h) .....	38
Table 22: MR3 Op-Code Bit Definitions .....	38
Table 23: MR4 Device Temperature (MA[7:0] = 04h) .....	38
Table 24: MR4 Op-Code Bit Definitions .....	38
Table 25: MR5 Basic Configuration 1 (MA[7:0] = 05h) .....	39
Table 26: MR5 Op-Code Bit Definitions .....	39
Table 27: MR6 Basic Configuration 2 (MA[7:0] = 06h) .....	39
Table 28: MR6 Op-Code Bit Definitions .....	39
Table 29: MR7 Basic Configuration 3 (MA[7:0] = 07h) .....	39
Table 30: MR7 Op-Code Bit Definitions .....	40
Table 31: MR8 Basic Configuration 4 (MA[7:0] = 08h) .....	40
Table 32: MR8 Op-Code Bit Definitions .....	40
Table 33: MR9 Test Mode (MA[7:0] = 09h) .....	40
Table 34: MR10 Calibration (MA[7:0] = 0Ah) .....	40
Table 35: MR10 Op-Code Bit Definitions .....	41
Table 36: MR11 ODT Control (MA[7:0] = 0Bh) .....	41
Table 37: MR11 Op-Code Bit Definitions .....	41
Table 38: MR16 PASR Bank Mask (MA[7:0] = 010h) .....	41
Table 39: MR16 Op-Code Bit Definitions .....	42
Table 40: MR17 PASR Segment Mask (MA[7:0] = 011h) .....	42
Table 41: MR17 PASR Segment Mask Definitions .....	42
Table 42: MR17 PASR Row Address Ranges in Masked Segments .....	42
Table 43: MR63 RESET (MA[7:0] = 3Fh) – MRW Only .....	42
Table 44: Reserved Mode Registers .....	43
Table 45: Bank Selection for PRECHARGE by Address Bits .....	58
Table 46: PRECHARGE and Auto Precharge Clarification .....	63
Table 47: REFRESH Command Scheduling Separation Requirements .....	65
Table 48: Bank- and Segment-Masking Example .....	71
Table 49: Temperature Sensor Definitions and Operating Conditions .....	74
Table 50: Data Calibration Pattern Description .....	76



Table 51: Truth Table for MRR and MRW .....	78
Table 52: CA Training Mode Enable (MR41 (29H, 0010 1001b), OP = A4H (1010 0100b)) .....	82
Table 53: CA Training Mode Disable (MR42 (2AH, 0010 1010b), OP = A8H(1010 1000b)) .....	82
Table 54: CA to DQ Mapping (CA Training Mode Enabled with MR41) .....	82
Table 55: CA Training Mode Enable (MR48 (30H, 0011 0000b), OP = C0H (1100 0000b)) .....	83
Table 56: CA to DQ Mapping (CA Training Mode Enabled with MR48) .....	83
Table 57: DRAM Termination Function in Write-Leveling Mode .....	87
Table 58: ODT States Truth Table .....	87
Table 59: Command Truth Table .....	98
Table 60: CKE Truth Table .....	99
Table 61: Current State Bank <i>n</i> to Command to Bank <i>n</i> Truth Table .....	100
Table 62: Current State Bank <i>n</i> to Command to Bank <i>m</i> Truth Table .....	102
Table 63: DM Truth Table .....	105
Table 64: Absolute Maximum DC Ratings .....	105
Table 65: Switching for CA Input Signals .....	106
Table 66: Switching for I <sub>DD4R</sub> .....	106
Table 67: Switching for I <sub>DD4W</sub> .....	107
Table 68: I <sub>DD</sub> Specification Parameters and Operating Conditions .....	108
Table 69: Recommended DC Operating Conditions .....	110
Table 70: Input Leakage Current .....	110
Table 71: Operating Temperature Range .....	110
Table 72: Single-Ended AC and DC Input Levels for CA and CS <sub>n</sub> Inputs .....	111
Table 73: Single-Ended AC and DC Input Levels for CKE .....	111
Table 74: Single-Ended AC and DC Input Levels for DQ and DM .....	111
Table 75: Differential AC and DC Input Levels .....	115
Table 76: CK and DQS Time Requirements Before Ringback ( <sup>t</sup> DVAC) .....	116
Table 77: Single-Ended Levels for CK and DQS .....	117
Table 78: Crosspoint Voltage for Differential Input Signals (CK, CK <sub>c</sub> , DQS <sub>t</sub> , DQS <sub>c</sub> ) .....	118
Table 79: Differential Input Slew Rate Definition .....	118
Table 80: Single-Ended AC and DC Output Levels .....	120
Table 81: Differential AC and DC Output Levels .....	120
Table 82: Single-Ended Output Slew Rate Definition .....	120
Table 83: Single-Ended Output Slew Rate .....	121
Table 84: Differential Output Slew Rate Definition .....	122
Table 85: Differential Output Slew Rate .....	122
Table 86: AC Overshoot/Undershoot Specification .....	123
Table 87: Output Driver DC Electrical Characteristics with ZQ Calibration .....	126
Table 88: Output Driver Sensitivity Definition .....	126
Table 89: Output Driver Temperature and Voltage Sensitivity .....	127
Table 90: Output Driver DC Electrical Characteristics Without ZQ Calibration .....	127
Table 91: I-V Curves .....	127
Table 92: ODT DC Electrical Characteristics (R <sub>ZQ</sub> = 240Ω After Proper ZQ Calibration) .....	131
Table 93: Definitions and Calculations .....	132
Table 94: <sup>t</sup> CK(abs), <sup>t</sup> CH(abs), and <sup>t</sup> CL(abs) Definitions .....	133
Table 95: Refresh Requirement Parameters (Per Density) .....	136
Table 96: AC Timing .....	137
Table 97: CA Setup and Hold Base Values .....	144
Table 98: CS <sub>n</sub> Setup and Hold Base Values .....	145
Table 99: Derating Values for AC/DC-Based <sup>t</sup> IS/ <sup>t</sup> IH (AC150) .....	145
Table 100: Derating Values for AC/DC-Based <sup>t</sup> IS/ <sup>t</sup> IH (AC135) .....	145
Table 101: Required Time for Valid Transition – <sup>t</sup> VAC > V <sub>IH(AC)</sub> and < V <sub>IL(AC)</sub> .....	146
Table 102: Data Setup and Hold Base Values .....	152



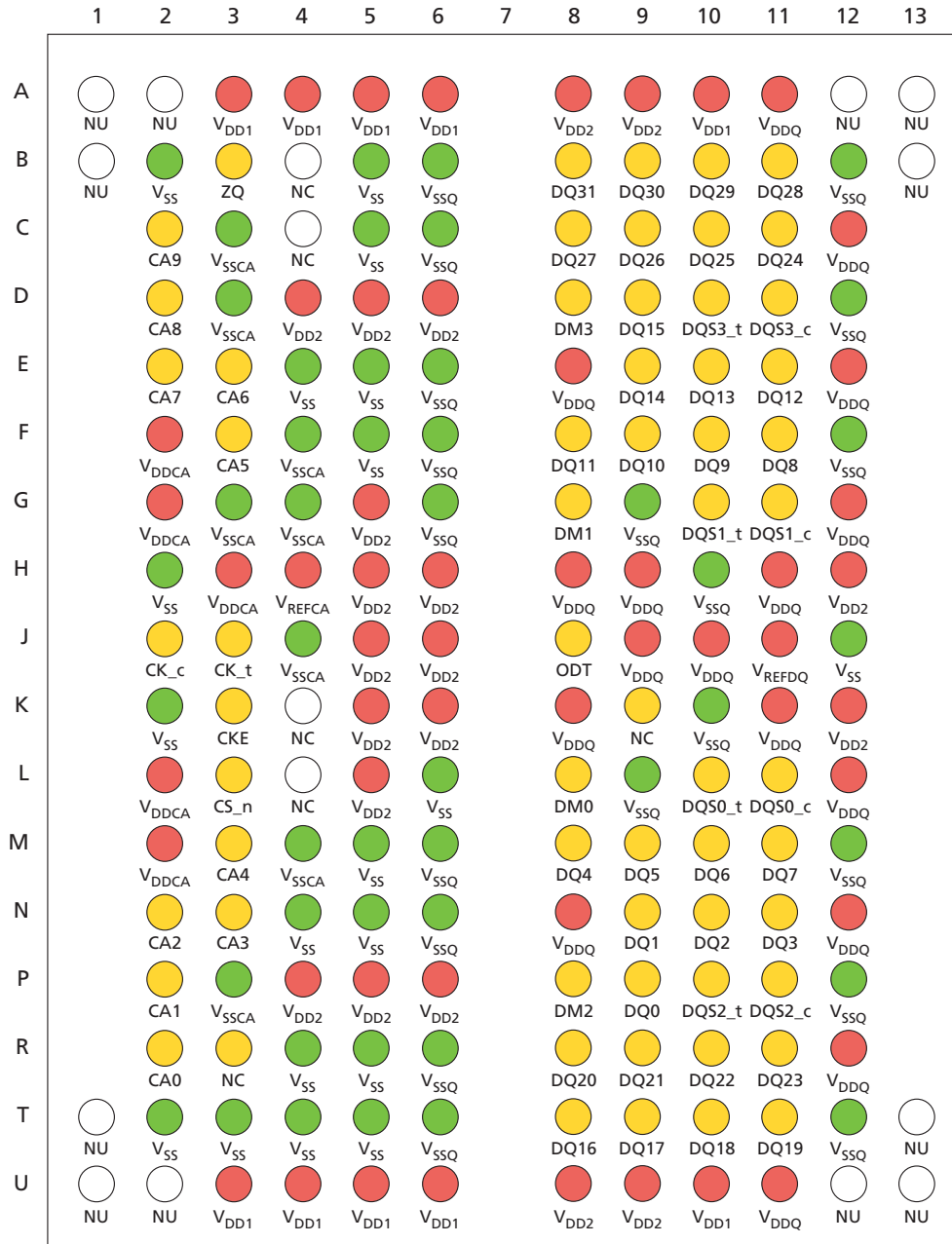


## 178-Ball, Single-Channel Mobile LPDDR3 SDRAM Part Number Ordering Information

Table 103: Derating Values for AC/DC-Based $t_{DS}/t_{DH}$ (AC150) .....	152
Table 104: Derating Values for AC/DC-Based $t_{DS}/t_{DH}$ (AC135) .....	152
Table 105: Required Time for Valid Transition – $t_{VAC} > V_{IH(AC)}$ OR $< V_{IL(AC)}$ .....	153

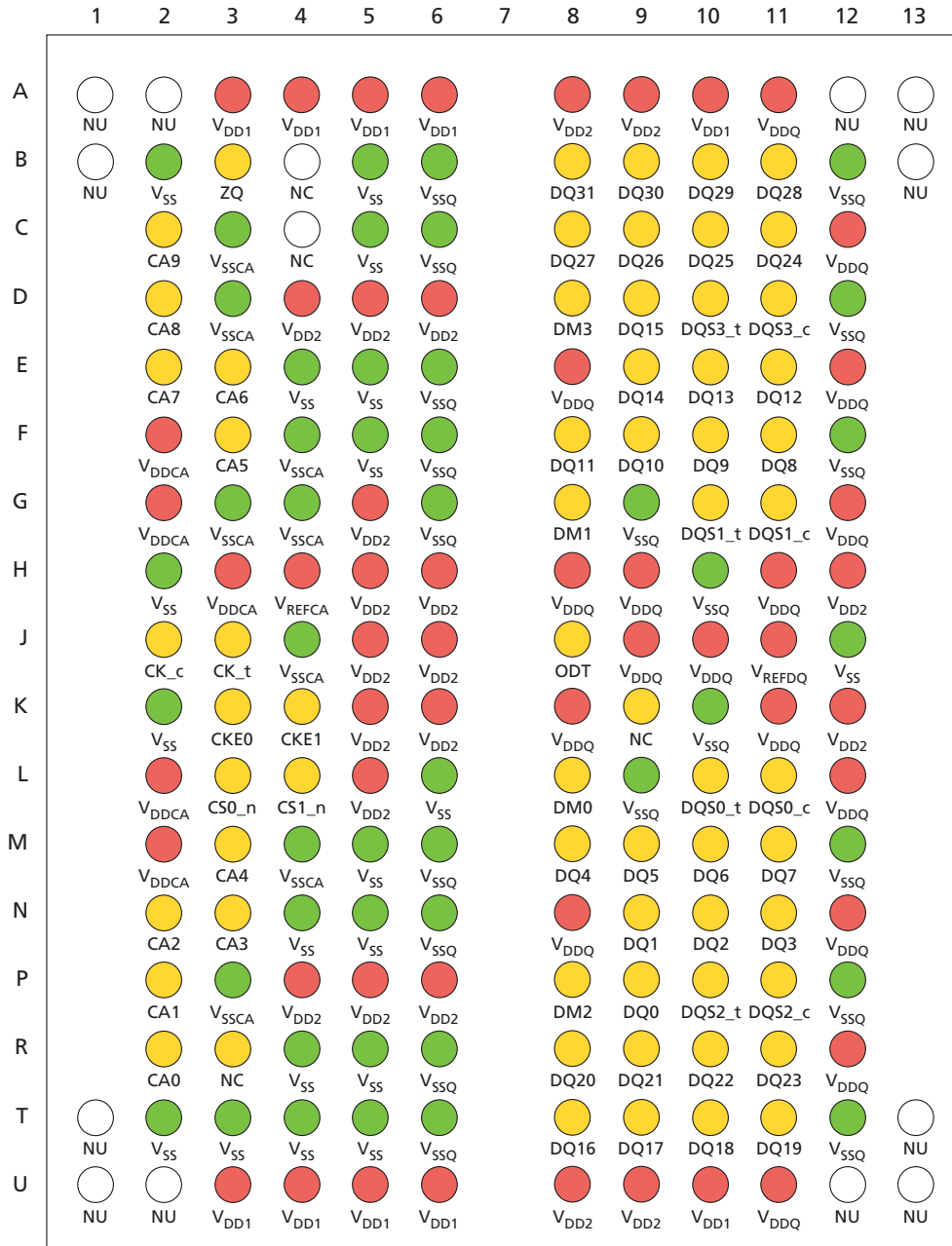
## Ball Assignments

Figure 2: 178-Ball Single-Channel FBGA – 1 x 8Gb Die



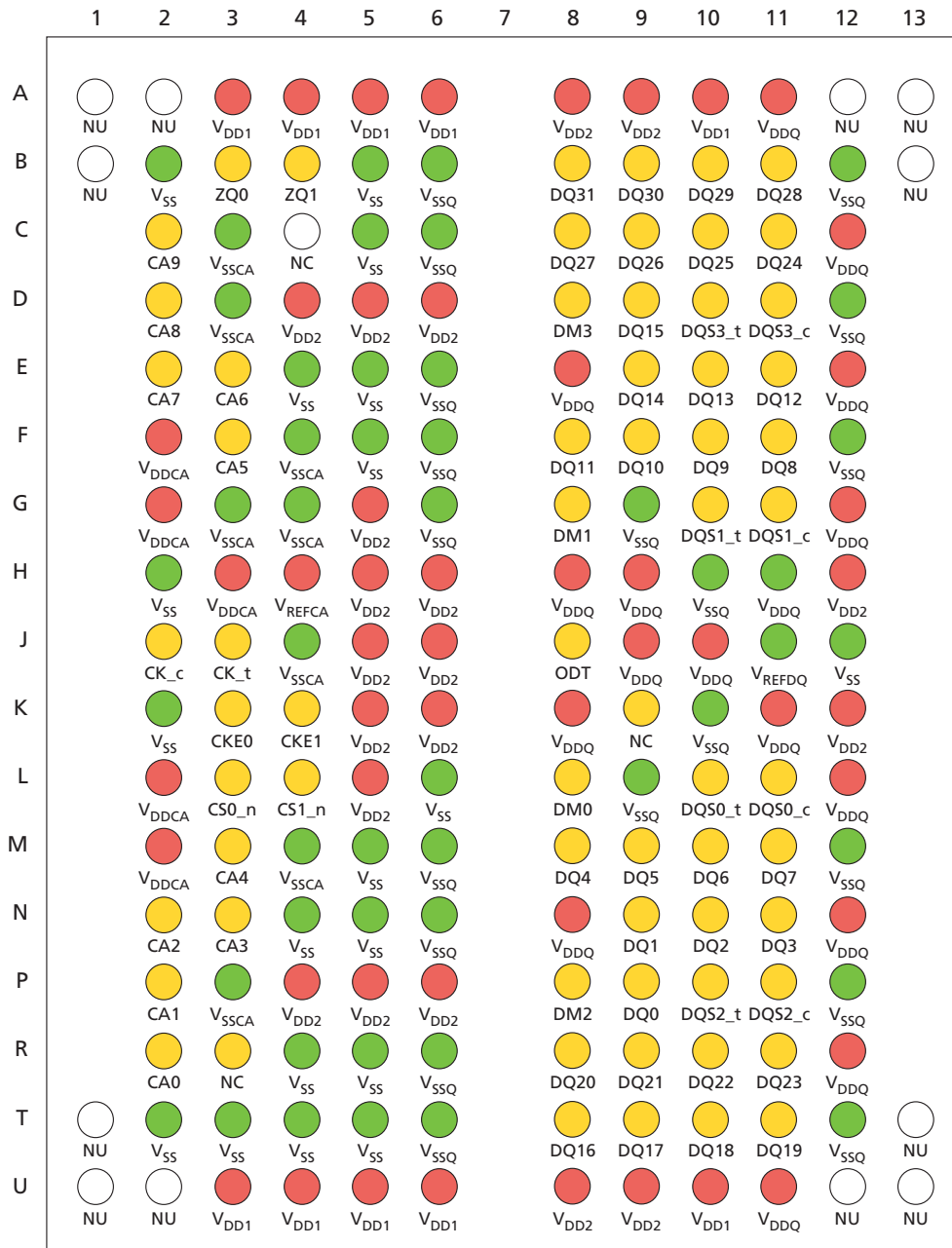
(Top view)

**Figure 3: 178-Ball Single-Channel FBGA – 2 x 8Gb Die**



(Top view)

**Figure 4: 178-Ball Single-Channel FBGA – 4 x 8Gb Die**



(Top view)

## Ball Descriptions

The ball/pad description table below is a comprehensive list of signals for the device family. All signals listed may not be supported on this device. See Ball Assignments for information specific to this device.

**Table 3: Ball/Pad Descriptions**

Symbol	Type	Description
CA[9:0]	Input	<b>Command/address inputs:</b> Provide the command and address inputs according to the command truth table.
CK_t, CK_c	Input	<b>Clock:</b> Differential clock inputs. All CA inputs are sampled on both rising and falling edges of CK. CS and CKE inputs are sampled at the rising edge of CK. AC timings are referenced to clock.
CKE[1:0]	Input	<b>Clock enable:</b> CKE HIGH activates and CKE LOW deactivates the internal clock signals, input buffers, and output drivers. Power-saving modes are entered and exited via CKE transitions. CKE is considered part of the command code. CKE is sampled on the rising edge of CK.
CS[1:0]_n	Input	<b>Chip select:</b> Considered part of the command code and is sampled on the rising edge of CK.
DM[3:0]	Input	<b>Input data mask:</b> Input mask signal for write data. Although DM balls are input-only, the DM loading is designed to match that of DQ and DQS balls. DM[3:0] is DM for each of the four data bytes, respectively.
ODT	Input	<b>On-die termination:</b> Enables and disables termination on the DRAM DQ bus according to the specified mode register settings. For packages that do not support ODT, the ODT signal may be grounded internally.
DQ[31:0]	I/O	<b>Data input/output:</b> Bidirectional data bus.
DQS[3:0]_t, DQS[3:0]_c	I/O	<b>Data strobe:</b> Bidirectional (used for read and write data) and complementary (DQS_t and DQS_c). It is edge-aligned output with read data and centered input with write data. DQS[3:0]_t/DQS[3:0]_c is DQS for each of the four data bytes, respectively.
V <sub>DDQ</sub>	Supply	<b>DQ power supply:</b> Isolated on the die for improved noise immunity.
V <sub>SSQ</sub>	Supply	<b>DQ ground:</b> Isolated on the die for improved noise immunity.
V <sub>DDCA</sub>	Supply	<b>Command/address power supply:</b> Command/address power supply.
V <sub>SSCA</sub>	Supply	<b>Command/address ground:</b> Isolated on the die for improved noise immunity.
V <sub>DD1</sub>	Supply	<b>Core power:</b> Supply 1.
V <sub>DD2</sub>	Supply	<b>Core power:</b> Supply 2.
V <sub>SS</sub>	Supply	<b>Common ground.</b>
V <sub>REFCA</sub> , V <sub>REFDQ</sub>	Supply	<b>Reference voltage:</b> V <sub>REFCA</sub> is reference for command/address input buffers, V <sub>REFDQ</sub> is reference for DQ input buffers.
ZQ[1:0]	Reference	<b>External reference ball for output drive calibration:</b> This ball is tied to an external 240Ω resistor (RZQ), which is tied to V <sub>SSQ</sub> .
NU	–	<b>Not usable:</b> Do not connect.
NC	–	<b>No connect:</b> Not internally connected.
(NC)	–	<b>No connect:</b> Balls indicated as (NC) are no connects; however, they could be connected together internally.

## Package Block Diagrams

Figure 5: Single-Die, Single-Channel Package Block Diagram

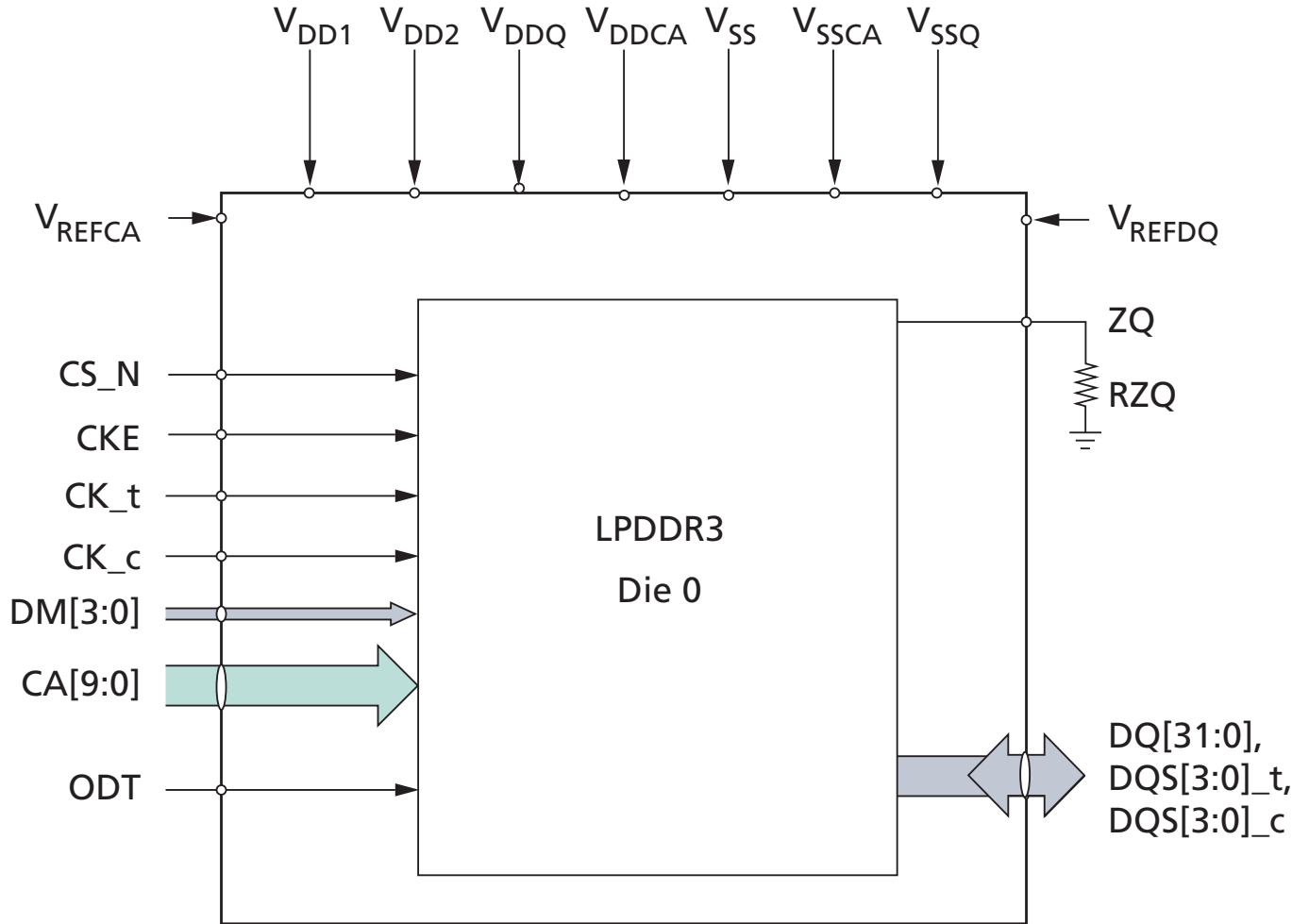




Figure 6: Dual-Rank, Dual-Die, Single-Channel Package Block Diagram

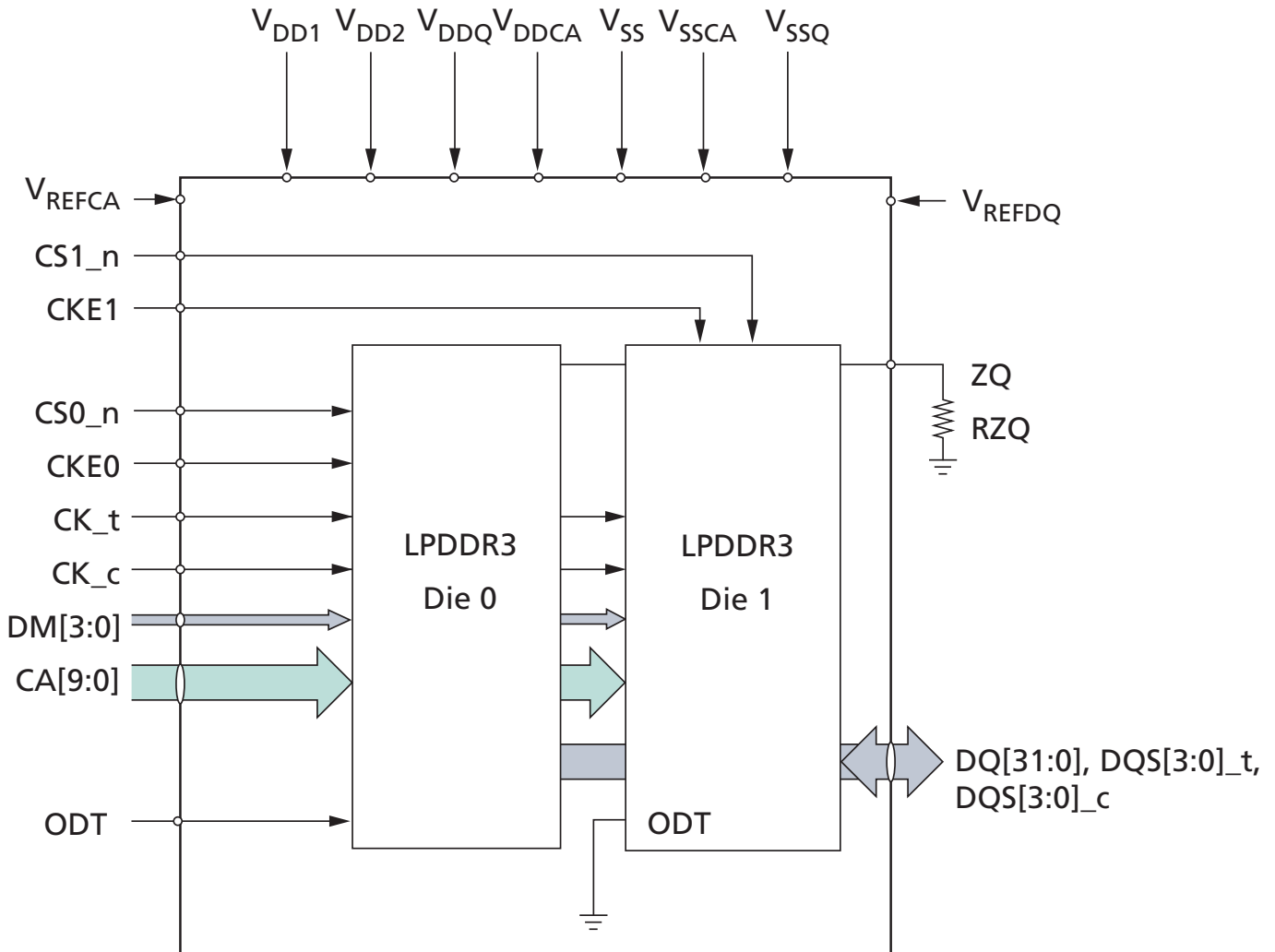
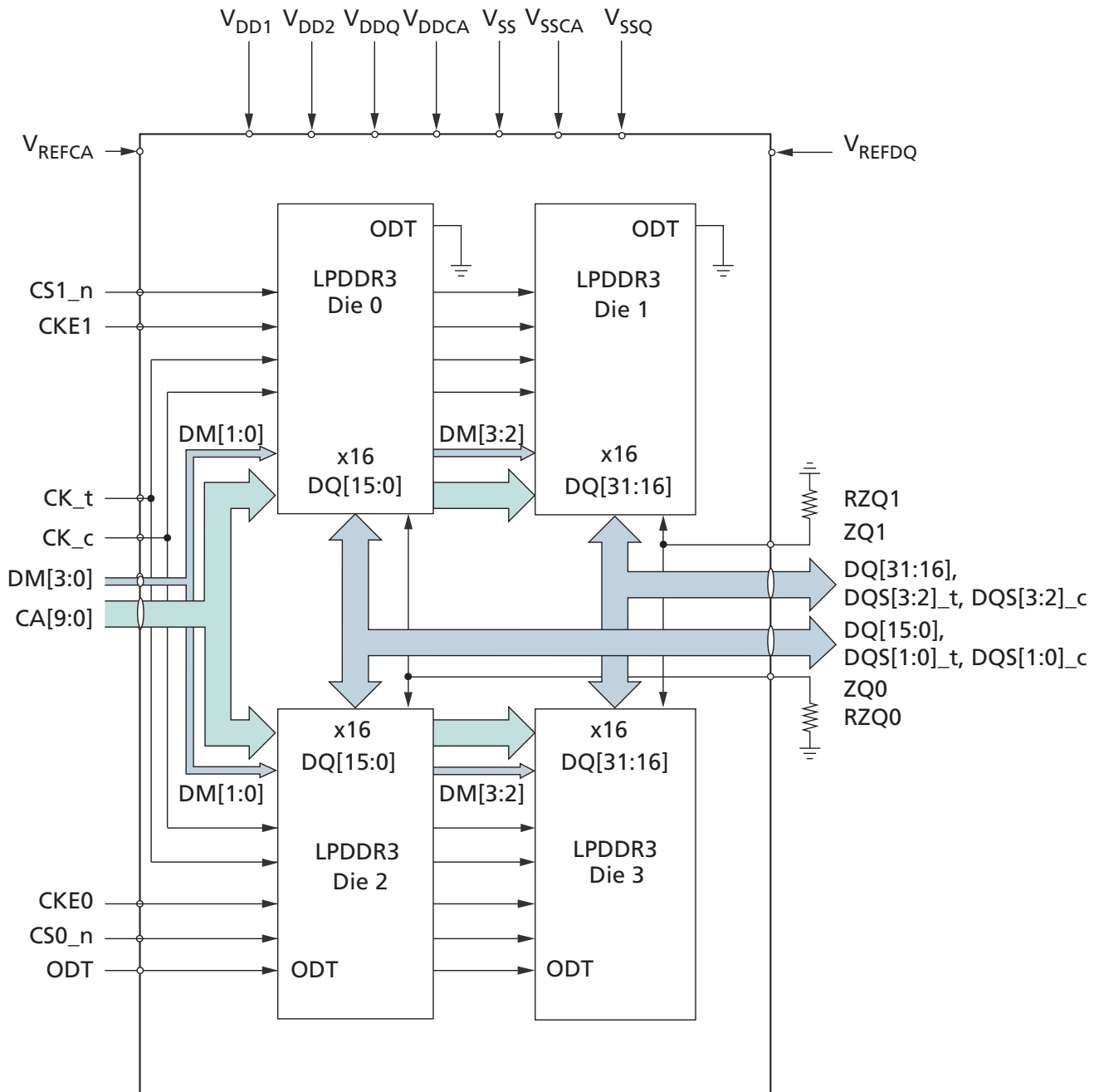
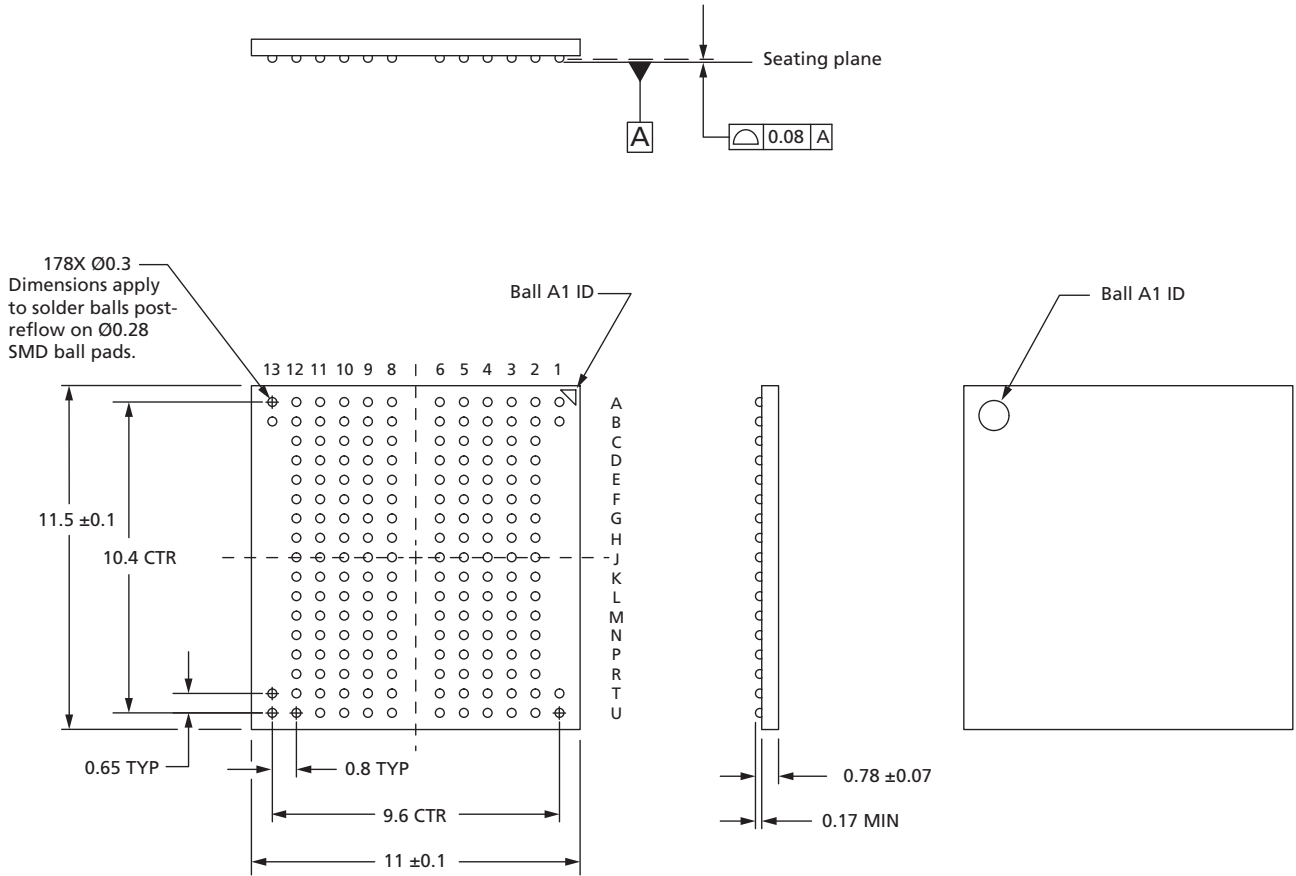


Figure 7: Quad-Die, Single-Channel Package Block Diagram



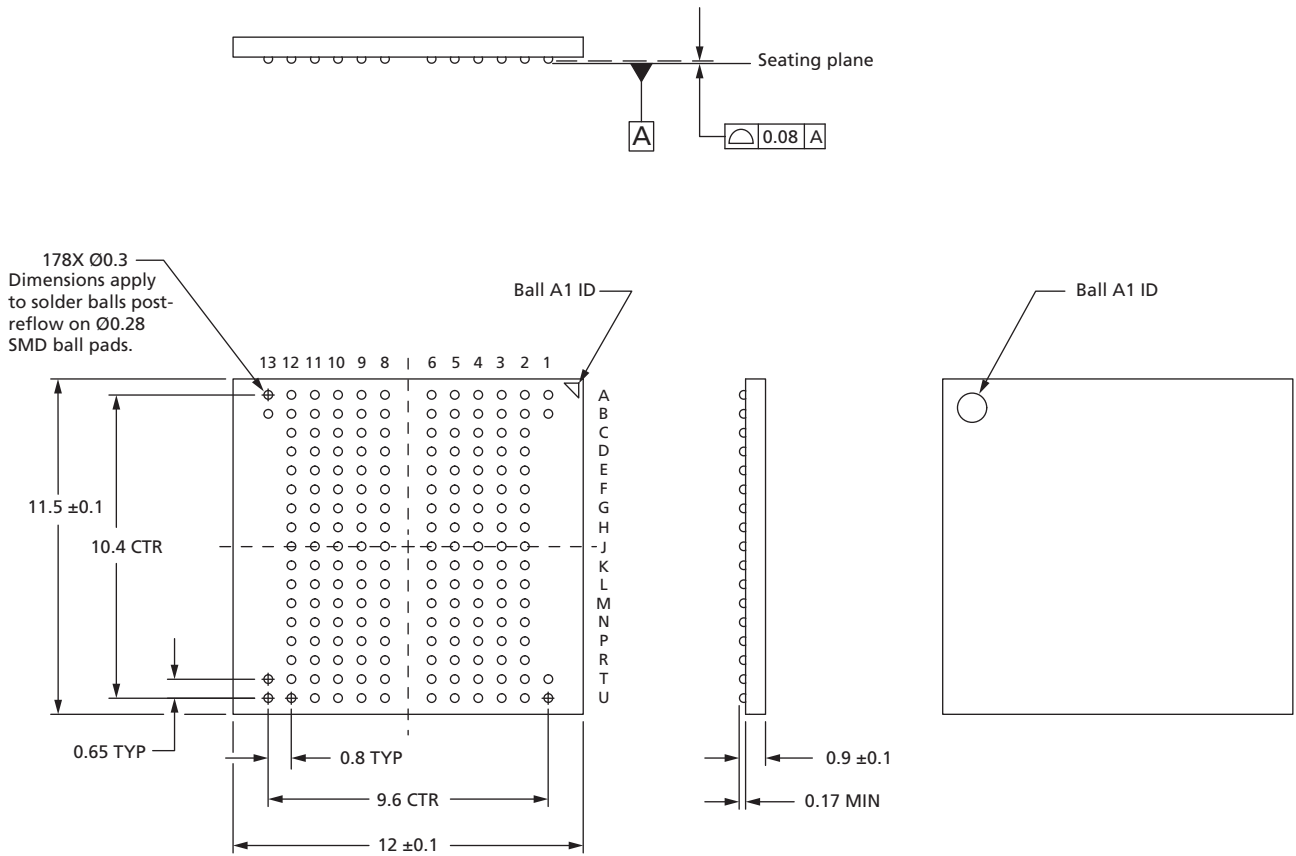
## Package Dimensions

**Figure 8: 178-Ball FBGA (11mm x 11.5mm), MT52L256M32D1PF, MT52L512M32D2PF**



Note: 1. All dimensions are in millimeters.

**Figure 9: 178-Ball FBGA (12.0mm x 11.5mm), MT52L1G32D4PG**



Note: 1. All dimensions are in millimeters.



**MR0, MR5, MR6, MR8 Readout**

Part Number	Total Density	OP7	OP6	OP5	OP4	OP3	OP2	OP1	OP0
<b>MR0</b>									
MT52L256M32D1PF	8Gb	OP6 = 1b indicates support for WL set B OP7 = 1b indicates that the option for RL3 is supported OP6 and OP7 =1b for this package							
MT52L512M32D2PF	16Gb								
MT52L1G32D4PG	32Gb								
<b>MR5</b>									
MT52L256M32D1PF	8Gb	Manufacturer ID = 1111 1111b							
MT52L512M32D2PF	16Gb								
MT52L1G32D4PG	32Gb								
<b>MR6</b>									
MT52L256M32D1PF	8Gb	Revision ID1 = 0000 00001b: Revision B							
MT52L512M32D2PF	16Gb								
MT52L1G32D4PG	32Gb								
<b>MR8</b>		<b>I/O Width/CS_n</b>		<b>Density</b>			<b>Type</b>		
		<b>CS0_n</b>	<b>CS1_n</b>						
MT52L256M32D1PF	8Gb	00b: x32	-	0111b: 8Gb			11b: S8		
MT52L512M32D2PF	16Gb	00b: x32	00b: x32						
MT52L1G32D4PG	32Gb	01b: x16	01b: x16						

## I<sub>DD</sub> Specifications – Single Die

**Table 4: I<sub>DD</sub> Specifications**
 $V_{DD2}, V_{DDQ}, V_{DDCA} = 1.14\text{--}1.30\text{V}; V_{DD1} = 1.70\text{--}1.95\text{V}; T_C = -30^\circ\text{C to } +85^\circ\text{C}$ 

Symbol	Supply	Speed				Unit	Parameter/Condition
		2133	1866	1600	1333		
I <sub>DD01</sub>	V <sub>DD1</sub>	8	8	8	8	mA	Operating one bank active-precharge current t <sub>CK</sub> = t <sub>CK</sub> (avg) MIN; t <sub>RC</sub> = t <sub>RC</sub> (MIN); CKE is HIGH; CS <sub>n</sub> is HIGH between valid commands; CA bus inputs are SWITCHING; Data bus inputs are STABLE; ODT disabled
I <sub>DD02</sub>	V <sub>DD2</sub>	43	41.5	40	40		
I <sub>DD0,in</sub>	V <sub>DDCA</sub> + V <sub>DDQ</sub>	6	6	6	6		
I <sub>DD2P1</sub>	V <sub>DD1</sub>	0.6	0.6	0.6	0.6	mA	Idle power-down standby current t <sub>CK</sub> = t <sub>CK</sub> (avg) MIN; CKE is LOW; CS <sub>n</sub> is HIGH; All banks idle; CA bus inputs are SWITCHING; Data bus inputs are STABLE; ODT disabled
I <sub>DD2P2</sub>	V <sub>DD2</sub>	1.3	1.3	1.3	1.3		
I <sub>DD2P,in</sub>	V <sub>DDCA</sub> + V <sub>DDQ</sub>	0.1	0.1	0.1	0.1		
I <sub>DD2PS1</sub>	V <sub>DD1</sub>	0.6	0.6	0.6	0.6	mA	Idle power-down standby current with clock stop CK <sub>t</sub> = LOW, CK <sub>c</sub> = HIGH; CKE is LOW; CS <sub>n</sub> is HIGH; All banks idle; CA bus inputs are STABLE; Data bus inputs are STABLE; ODT disabled
I <sub>DD2PS2</sub>	V <sub>DD2</sub>	1.3	1.3	1.3	1.3		
I <sub>DD2PS,in</sub>	V <sub>DDCA</sub> + V <sub>DDQ</sub>	0.1	0.1	0.1	0.1		
I <sub>DD2N1</sub>	V <sub>DD1</sub>	0.6	0.6	0.6	0.6	mA	Idle non power-down standby current t <sub>CK</sub> = t <sub>CK</sub> (avg) MIN; CKE is HIGH; CS <sub>n</sub> is HIGH; All banks idle; CA bus inputs are SWITCHING; Data bus inputs are STABLE; ODT disabled
I <sub>DD2N2</sub>	V <sub>DD2</sub>	22.5	21.5	20.5	20		
I <sub>DD2N,in</sub>	V <sub>DDCA</sub> + V <sub>DDQ</sub>	6	6	6	6		
I <sub>DD2NS1</sub>	V <sub>DD1</sub>	0.6	0.6	0.6	0.6	mA	Idle non power-down standby current with clock stop CK <sub>t</sub> = LOW, CK <sub>c</sub> = HIGH; CKE is HIGH; CS <sub>n</sub> is HIGH; All banks idle; CA bus inputs are STABLE; Data bus inputs are STABLE; ODT disabled
I <sub>DD2NS2</sub>	V <sub>DD2</sub>	18.5	18.5	18.5	18.5		
I <sub>DD2NS,in</sub>	V <sub>DDCA</sub> + V <sub>DDQ</sub>	6	6	6	6		
I <sub>DD3P1</sub>	V <sub>DD1</sub>	1	1	1	1	mA	Active power-down standby current t <sub>CK</sub> = t <sub>CK</sub> (avg) MIN; CKE is LOW; CS <sub>n</sub> is HIGH; One bank active; CA bus inputs are SWITCHING; Data bus inputs are STABLE; ODT disabled
I <sub>DD3P2</sub>	V <sub>DD2</sub>	7	7	7	7		
I <sub>DD3P,in</sub>	V <sub>DDCA</sub> + V <sub>DDQ</sub>	0.1	0.1	0.1	0.1		



**Table 4: I<sub>DD</sub> Specifications (Continued)**
 $V_{DD2}, V_{DDQ}, V_{DDCA} = 1.14\text{--}1.30\text{V}; V_{DD1} = 1.70\text{--}1.95\text{V}; T_C = -30^\circ\text{C to } +85^\circ\text{C}$ 

Symbol	Supply	Speed				Unit	Parameter/Condition
		2133	1866	1600	1333		
I <sub>DD3PS1</sub>	V <sub>DD1</sub>	1	1	1	1	mA	Active power-down standby current with clock stop CK <sub>t</sub> = LOW, CK <sub>c</sub> = HIGH; CKE is LOW; CS <sub>n</sub> is HIGH; One bank active; CA bus inputs are STABLE; Data bus inputs are STABLE; ODT disabled
I <sub>DD3PS2</sub>	V <sub>DD2</sub>	7	7	7	7		
I <sub>DD3PS,in</sub>	V <sub>DDCA</sub> + V <sub>DDQ</sub>	0.1	0.1	0.1	0.1		
I <sub>DD3N1</sub>	V <sub>DD1</sub>	1.3	1.3	1.3	1.3	mA	Active non power-down standby current t <sub>CK</sub> = t <sub>CK</sub> (avg) MIN; CKE is HIGH; CS <sub>n</sub> is HIGH; One bank active; CA bus inputs are SWITCHING; Data bus inputs are STABLE; ODT disabled
I <sub>DD3N2</sub>	V <sub>DD2</sub>	23	22	21	20.5		
I <sub>DD3N,in</sub>	V <sub>DDCA</sub> + V <sub>DDQ</sub>	6	6	6	6		
I <sub>DD3NS1</sub>	V <sub>DD1</sub>	1.3	1.3	1.3	1.3	mA	Active non power-down standby current with clock stop CK <sub>t</sub> = LOW, CK <sub>c</sub> = HIGH; CKE is HIGH; CS <sub>n</sub> is HIGH; One bank active; CA bus inputs are STABLE; Data bus inputs are STABLE; ODT disabled
I <sub>DD3NS2</sub>	V <sub>DD2</sub>	19	19	19	19		
I <sub>DD3NS,in</sub>	V <sub>DDCA</sub> + V <sub>DDQ</sub>	6	6	6	6		
I <sub>DD4R1</sub>	V <sub>DD1</sub>	2	2	2	2	mA	Operating burst read current t <sub>CK</sub> = t <sub>CK</sub> (avg) MIN; CS <sub>n</sub> is HIGH between valid commands; One bank active; BL = 8; RL = RL (MIN); CA bus inputs are SWITCHING; 50% data change each burst transfer; ODT disabled; Values in parenthesis are for x16 bits
I <sub>DD4R2</sub>	V <sub>DD2</sub>	330 (280)	290 (240)	250 (200)	220 (170)		
I <sub>DD4R,in</sub>	V <sub>DDCA</sub>	6	6	6	6		
I <sub>DD4W1</sub>	V <sub>DD1</sub>	2	2	2	2	mA	Operating burst write current t <sub>CK</sub> = t <sub>CK</sub> (avg) MIN; CS <sub>n</sub> is HIGH between valid commands; One bank active; BL = 8; WL = WL (MIN); CA bus inputs are SWITCHING; 50% data change each burst transfer; ODT disabled; Values in parenthesis are for x16 bits
I <sub>DD4W2</sub>	V <sub>DD2</sub>	325 (275)	285 (235)	245 (195)	215 (165)		
I <sub>DD4W,in</sub>	V <sub>DDCA</sub> + V <sub>DDQ</sub>	6	6	6	6		
I <sub>DD51</sub>	V <sub>DD1</sub>	30	30	30	30	mA	All bank auto-refresh burst current t <sub>CK</sub> = t <sub>CK</sub> (avg) MIN; CKE is HIGH between valid commands; t <sub>RC</sub> = t <sub>RFCab</sub> (MIN); Burst refresh; CA bus inputs are SWITCHING; Data bus inputs are STABLE; ODT disabled
I <sub>DD52</sub>	V <sub>DD2</sub>	150	150	150	150		
I <sub>DD5,in</sub>	V <sub>DDCA</sub> + V <sub>DDQ</sub>	6	6	6	6		

**Table 4: I<sub>DD</sub> Specifications (Continued)**

V<sub>DD2</sub>, V<sub>DDQ</sub>, V<sub>DDCA</sub> = 1.14–1.30V; V<sub>DD1</sub> = 1.70–1.95V; T<sub>C</sub> = –30°C to +85°C

Symbol	Supply	Speed				Unit	Parameter/Condition
		2133	1866	1600	1333		
I <sub>DD5AB1</sub>	V <sub>DD1</sub>	3	3	3	3	mA	All bank auto-refresh average current t <sub>CK</sub> = t <sub>CK(avg)</sub> MIN; CKE is HIGH between valid commands; t <sub>RC</sub> = t <sub>REFI</sub> ; CA bus inputs are SWITCHING; Data bus inputs are STABLE; ODT disabled
I <sub>DD5AB2</sub>	V <sub>DD2</sub>	23	22	21	20.5		
I <sub>DD5AB,in</sub>	V <sub>DDCA</sub> + V <sub>DDQ</sub>	6	6	6	6		
I <sub>DD5PB1</sub>	V <sub>DD1</sub>	3	3	3	3	mA	Per bank auto-refresh average current t <sub>CK</sub> = t <sub>CK(avg)</sub> MIN; CKE is HIGH between valid commands; t <sub>RC</sub> = t <sub>REFIpb</sub> ; CA bus inputs are SWITCHING; Data bus inputs are STABLE; ODT disabled
I <sub>DD5PB2</sub>	V <sub>DD2</sub>	23	22	21	20.5		
I <sub>DD5PB,in</sub>	V <sub>DDCA</sub> + V <sub>DDQ</sub>	6	6	6	6		
I <sub>DD81</sub>	V <sub>DD1</sub>	24	24	24	24	μA	Deep power-down current CK_t = LOW, CK_c = HIGH; CKE is LOW; CA bus inputs are STABLE; Data bus inputs are STABLE; ODT disabled
I <sub>DD82</sub>	V <sub>DD2</sub>	9	9	9	9		
I <sub>DD8,in</sub>	V <sub>DDCA</sub> + V <sub>DDQ</sub>	12	12	12	12		

- Notes:
1. Published I<sub>DD</sub> values are the maximum of the distribution of the arithmetic mean.
  2. I<sub>DD</sub> current specifications are tested after the device is properly initialized.

**Table 5: I<sub>DD6</sub> Partial-Array Self Refresh Current at 25°C**

V<sub>DD2</sub>, V<sub>DDQ</sub>, V<sub>DDCA</sub> = 1.14–1.30V; V<sub>DD1</sub> = 1.70–1.95V

PASR	Supply	Value	Unit	Parameter/Condition
Full array	V <sub>DD1</sub>	200 (550)	μA	Self refresh current CK <sub>t</sub> = LOW, CK <sub>c</sub> = HIGH; CKE is LOW; CA bus inputs are STABLE; Data bus inputs are STABLE; ODT is disabled  Values in parentheses are the maximum of the distribution of the arithmetic mean
	V <sub>DD2</sub>	1100 (1700)		
	V <sub>DDCA</sub> + V <sub>DDQ</sub>	10		
1/2 array	V <sub>DD1</sub>	140 (450)		
	V <sub>DD2</sub>	600 (1000)		
	V <sub>DDCA</sub> + V <sub>DDQ</sub>	10		
1/4 array	V <sub>DD1</sub>	110 (400)		
	V <sub>DD2</sub>	400 (750)		
	V <sub>DDCA</sub> + V <sub>DDQ</sub>	10		
1/8 array	V <sub>DD1</sub>	90 (370)		
	V <sub>DD2</sub>	300 (450)		
	V <sub>DDCA</sub> + V <sub>DDQ</sub>	10		

Note: 1. I<sub>DD6</sub> 25°C is the typical of the distribution of the arithmetic mean.

**Table 6: I<sub>DD6</sub> Partial-Array Self Refresh Current at 85°C**

V<sub>DD2</sub>, V<sub>DDQ</sub>, V<sub>DDCA</sub> = 1.14–1.30V; V<sub>DD1</sub> = 1.70–1.95V

PASR	Supply	Value	Unit	Parameter/Condition
Full array	V <sub>DD1</sub>	1000	μA	Self refresh current CK <sub>t</sub> = LOW, CK <sub>c</sub> = HIGH; CKE is LOW; CA bus inputs are STABLE; Data bus inputs are STABLE; ODT is disabled
	V <sub>DD2</sub>	7000		
	V <sub>DDCA</sub> + V <sub>DDQ</sub>	12		
1/2 array	V <sub>DD1</sub>	600		
	V <sub>DD2</sub>	4100		
	V <sub>DDCA</sub> + V <sub>DDQ</sub>	12		
1/4 array	V <sub>DD1</sub>	400		
	V <sub>DD2</sub>	2700		
	V <sub>DDCA</sub> + V <sub>DDQ</sub>	12		
1/8 array	V <sub>DD1</sub>	300		
	V <sub>DD2</sub>	2000		
	V <sub>DDCA</sub> + V <sub>DDQ</sub>	12		

Note: 1. I<sub>DD6</sub> 85°C is the typical of the distribution of the arithmetic mean.

## Pin Capacitance

**Table 7: Input/Output Capacitance**

Part Number	Density	Parameter	Symbol	Min	Max	Unit	Notes
MT52L256M32D1PF	8Gb	Input capacitance, CK_t and CK_c	C <sub>CK</sub>	0.5	1.5	pF	1, 2
		Input capacitance, all other input-only pins except CS_n, CKE, and ODT	C <sub>I1</sub>	0.5	2.0	pF	1, 2
		Input capacitance, CS_n, CKE, and ODT	C <sub>I2</sub>	0.5	2.0	pF	1, 2
		Input/output capacitance, DQ, DM, DQS_t, DQS_c	C <sub>IO</sub>	1.0	3.0	pF	1, 2, 3
		Input/output capacitance, ZQ	C <sub>ZQ</sub>	1.0	2.0	pF	1, 2, 3
Part Number	Density	Parameter	Symbol	Min	Max	Unit	Notes
MT52L512M32D2PF	16Gb	Input capacitance, CK_t and CK_c	C <sub>CK</sub>	1.0	2.5	pF	1, 2
		Input capacitance, all other input-only pins except CS_n, CKE, and ODT	C <sub>I1</sub>	1.0	2.5	pF	1, 2
		Input capacitance, CS_n, CKE, and ODT	C <sub>I2</sub>	0.5	2.0	pF	1, 2
		Input/output capacitance, DQ, DM, DQS_t, DQS_c	C <sub>IO</sub>	1.5	4.5	pF	1, 2, 3
		Input/output capacitance, ZQ	C <sub>ZQ</sub>	1.5	3.5	pF	1, 2, 3
Part Number	Density	Parameter	Symbol	Min	Max	Unit	Notes
MT52L1G32D4PG	32Gb	Input capacitance, CK_t and CK_c	C <sub>CK</sub>	2.0	4.0	pF	1, 2
		Input capacitance, all other input-only pins except CS_n, CKE, and ODT	C <sub>I1</sub>	2.0	4.5	pF	1, 2
		Input capacitance, CS_n, CKE, and ODT	C <sub>I2</sub>	1.0	3.0	pF	1, 2
		Input/output capacitance, DQ, DM, DQS_t, DQS_c	C <sub>IO</sub>	1.5	4.5	pF	1, 2, 3
		Input/output capacitance, ZQ	C <sub>ZQ</sub>	1.5	3.5	pF	1, 2, 3

- Notes:
1. This parameter is not subject to production testing. It is verified by design and characterization.
  2. These parameters are measured on  $f = 100$  MHz,  $V_{OUT} = V_{DDQ/2}$ ,  $T_A = +25$  °C.
  3. D<sub>OUT</sub> circuits are disabled.

## LPDDR3 Array Configuration

The 8Gb Mobile Low-Power DDR3 SDRAM (LPDDR3) is a high-speed CMOS, dynamic random-access memory containing 8,589,934,592-bits. The device is internally configured as an eight-bank DRAM. Each of the x16's 1,073,741,824-bit banks is organized as 32,768 rows by 2,048 columns by 16 bits. Each of the x32's 1,073,741,824-bit banks is organized as 32,768 rows by 1024 columns by 32 bits.

## General Notes

Throughout the data sheet, figures and text refer to DQs as "DQ." DQ should be interpreted as any or all DQ collectively, unless specifically stated otherwise.

"DQS" and "CK" should be interpreted as DQS\_t, DQS\_c and CK\_t, CK\_c, respectively, unless specifically stated otherwise. "BA" and "CA" include all BA and CA pins, respectively, used for a given density.

Complete functionality may be described throughout the entire document. Any page or diagram may have been simplified to convey a topic and may not be inclusive of all requirements.

Timing diagrams reflect a single-channel device.

In timing diagrams, "CMD" is used as an indicator only. Actual signals occur on CA[9:0].

$V_{REF}$  indicates  $V_{REFCA}$  and  $V_{REFDQ}$ .

Any specific requirement takes precedence over a general statement.

Any functionality not specifically stated herein is considered undefined, illegal, is not supported, and will result in unknown operation.

## Functional Description

Mobile LPDDR3 is a high-speed SDRAM internally configured as an 8-bank memory device. LPDDR3 uses a double data rate architecture on the command/address (CA) bus to reduce the number of input pins in the system. The 10-bit CA bus is used to transmit command, address, and bank information. Each command uses one clock cycle, during which command information is transferred on both the rising and falling edges of the clock.

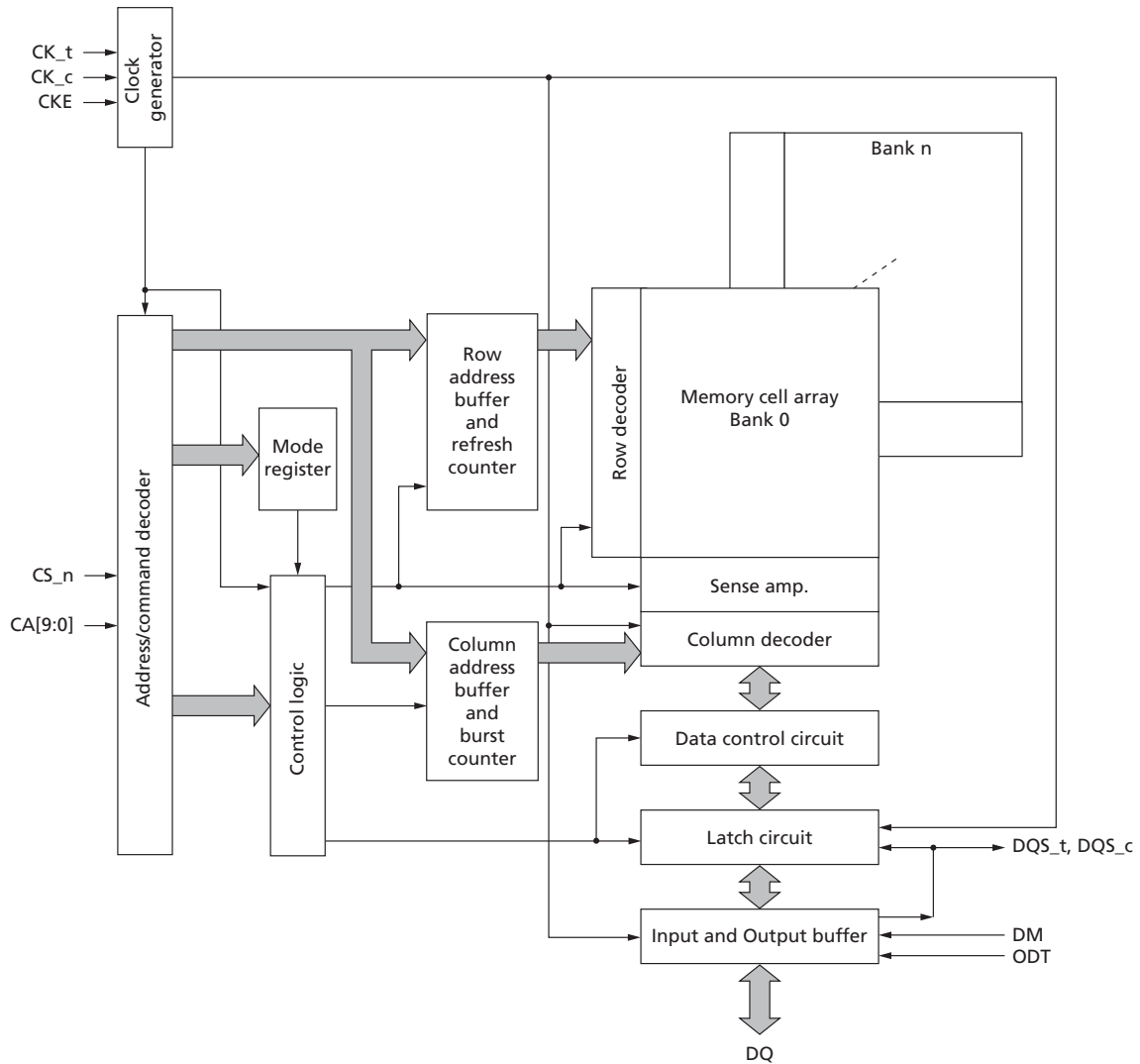
LPDDR3 uses a double data rate architecture on the DQ pins to achieve high-speed operation. The double data rate architecture is essentially an  $8n$  prefetch architecture with an interface designed to transfer two data bits per DQ every clock cycle at the I/O pins. A single read or write access for LPDDR3 effectively consists of a single  $8n$ -bit-wide, one-clock-cycle data transfer at the internal SDRAM core and eight corresponding  $n$ -bit-wide, one-half-clock-cycle data transfers at the I/O pins.

Read and write accesses to the device are burst oriented; accesses start at a selected location and continue for a programmed number of locations in a programmed sequence.

Accesses begin with the registration of an ACTIVATE command followed by a READ or WRITE command. The address and BA bits registered coincident with the ACTIVATE command are used to select the row and bank to be accessed. The address bits registered coincident with the READ or WRITE command are used to select the bank and the starting column location for the burst access.



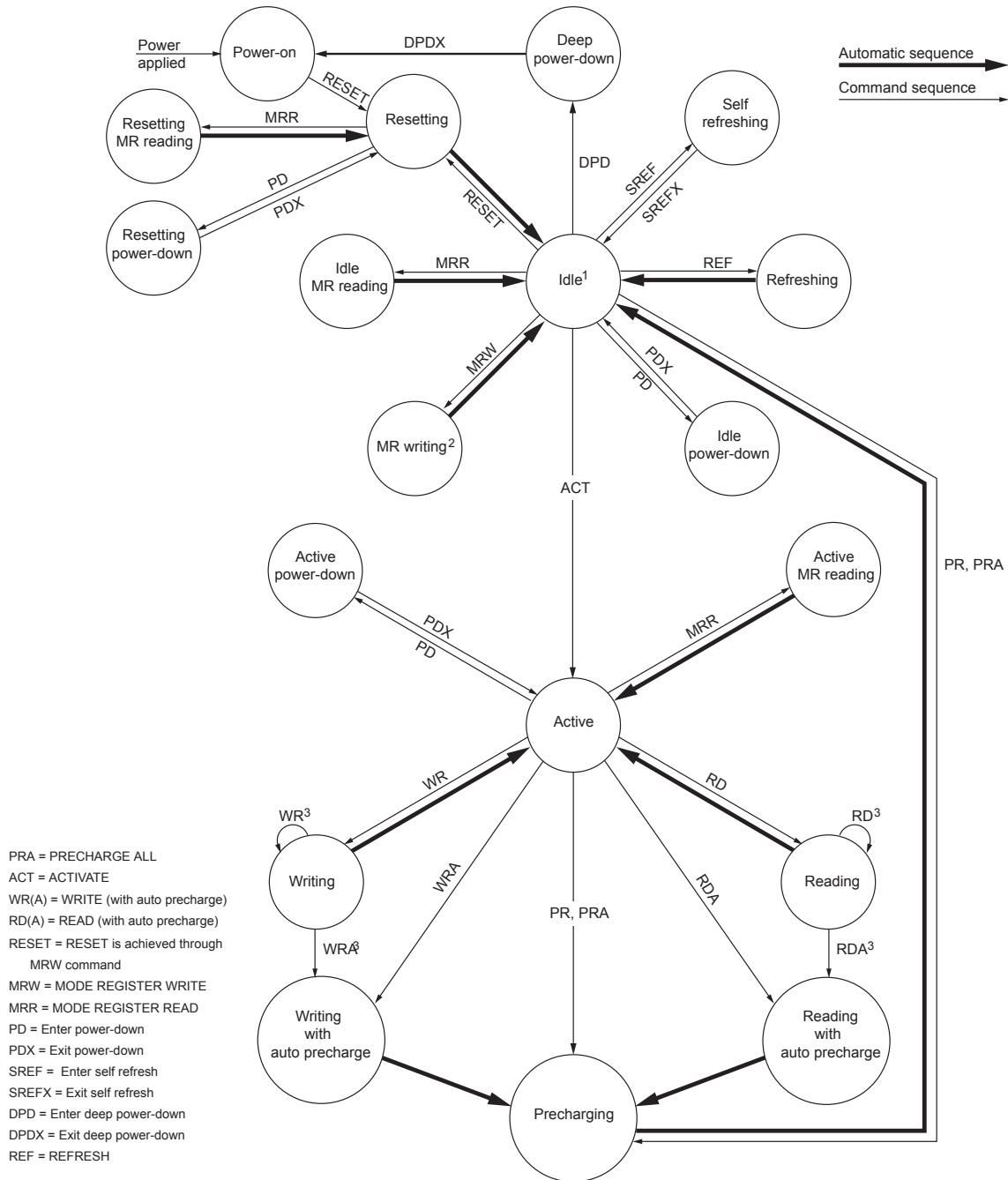
**Figure 10: Functional Block Diagram**



## Simplified Bus Interface State Diagram

The state diagram provides a simplified illustration of the bus interface, supported state transitions, and the commands that control them. For a complete description of device behavior, use the information provided in the state diagram with the truth tables and timing specifications. The truth tables describe device behavior and applicable restrictions when considering the actual state of all banks. For command descriptions, see the Commands and Timing section.

**Figure 11: Simplified State Diagram**



- Notes:**
1. All banks are precharged in the idle state.
  2. In the case of using MRW to enter CA training mode or write leveling mode, the state machine will not automatically return to the idle state. In these cases, an additional MRW command is required to exit either operating mode and return to the idle state. See the CA Training Mode or Write Leveling Mode sections.
  3. Terminated bursts are not allowed. For these state transitions, the burst operation must be completed before a transition can occur.

- The state diagram is intended to provide a floorplan of the possible state transitions and commands used to control them, but it is not comprehensive. In particular, situations involving more than one bank are not captured in full detail.

## Power-Up and Initialization

The device must be powered up and initialized in a predefined manner. Power-up and initialization by means other than those specified will result in undefined operation.

## Voltage Ramp and Device Initialization

The following sequence must be used to power up the device. Unless specified otherwise, this procedure is mandatory.

**1. Voltage Ramp:** While applying power (after  $T_a$ ), CKE must be held LOW, and all other inputs must be between  $V_{ILmin}$  and  $V_{IHmax}$ . The device outputs remain at High-Z while CKE is held LOW.

Following completion of the voltage ramp ( $T_b$ ), CKE must be held LOW. DQ, DM and DQS voltage levels must be between  $V_{SSQ}$  and  $V_{DDQ}$  during voltage ramp to avoid latch-up. CK, CS\_n, and CA input levels must be between  $V_{SSCA}$  and  $V_{DDCA}$  during voltage ramp to avoid latch-up. Voltage ramp power supply requirements are provided in the table below.

**Table 8: Voltage Ramp Conditions**

After	Applicable Conditions
Ta is reached	$V_{DD1}$ must be greater than $V_{DD2} - 200mV$
	$V_{DD1}$ and $V_{DD2}$ must be greater than $V_{DDCA} - 200mV$
	$V_{DD1}$ and $V_{DD2}$ must be greater than $V_{DDQ} - 200mV$
	$V_{REF}$ must always be less than all other supply voltages

- Notes:
- $T_a$  is the point when any power supply first reaches 300mV.
  - Noted conditions apply between  $T_a$  and power-down (controlled or uncontrolled).
  - $T_b$  is the point at which all supply and reference voltages are within their defined operating ranges.
  - For supply and reference voltage operating conditions, see the Recommended DC Operating Conditions table.
  - The voltage difference between any  $V_{SS}$ ,  $V_{SSQ}$ , and  $V_{SSCA}$  pins must not exceed 100mV.

Beginning at  $T_b$ , CKE must remain LOW for at least  $t_{INIT1}$ , after which CKE can be asserted HIGH. The clock must be stable at least  $t_{INIT2}$  prior to the first CKE LOW-to-HIGH transition ( $T_c$ ). CKE, CS\_n, and CA inputs must observe setup and hold requirements ( $t_{IS}$ ,  $t_{IH}$ ) with respect to the first rising clock edge and to subsequent falling and rising edges.

If any MRRs are issued, the clock period must be within the range defined for  $t_{CKb}$ . MRWs can be issued at normal clock frequencies as long as all AC timings are met. Some AC parameters (for example,  $t_{DQSCK}$ ) could have relaxed timings (such as  $t_{DQSCKb}$ ) before the system is appropriately configured. While keeping CKE HIGH, NOP commands must be issued for at least  $t_{INIT3}$  ( $T_d$ ). The ODT input signal may be in an undefined state until  $t_{IS}$  before CKE is registered HIGH. When CKE is registered

HIGH, the ODT input signal must be statically held either LOW or HIGH. The ODT input signal remains static until the power-up initialization sequence is finished, including the expiration of  $t_{ZQINIT}$ .

**2. RESET Command:** After  $t_{INIT3}$  is satisfied, the MRW RESET command must be issued ( $T_d$ ). An optional PRECHARGE ALL command can be issued prior to the MRW RESET command. Wait at least  $t_{INIT4}$  while keeping CKE asserted and issuing NOP commands. Only NOP commands are allowed during  $t_{INIT4}$ .

**3. MRRs and Device Auto Initialization (DAI) Polling:** After  $t_{INIT4}$  is satisfied ( $T_e$ ), only MRR commands and POWER-DOWN ENTRY/EXIT commands are supported, and CKE can go LOW in alignment with power-down entry and exit specifications (see Power-Down). MRR commands are valid at this time only when the CA bus does not need to be trained. CA training can begin only after time  $T_f$ .

The MRR command can be initiated to poll the DAI bit, which indicates whether device auto initialization is complete. When the bit indicates completion, the device is in an idle state. The device is also in an idle state after  $t_{INIT5}$  (MAX) has expired, regardless whether the DAI bit has been read by the MRR command. Because the memory output buffers are not properly configured by  $T_e$ , some AC parameters must use relaxed timing specifications before the system is appropriately configured.

After the DAI bit (MR0, DAI) is set to zero by the memory device (DAI complete), the device is in the idle state ( $T_f$ ). DAI status can be determined by issuing the MRR command to MR0. The device sets the DAI bit no later than  $t_{INIT5}$  after the RESET command. The controller must wait at least  $t_{INIT5}$  (MAX) or until the DAI bit is set before proceeding.

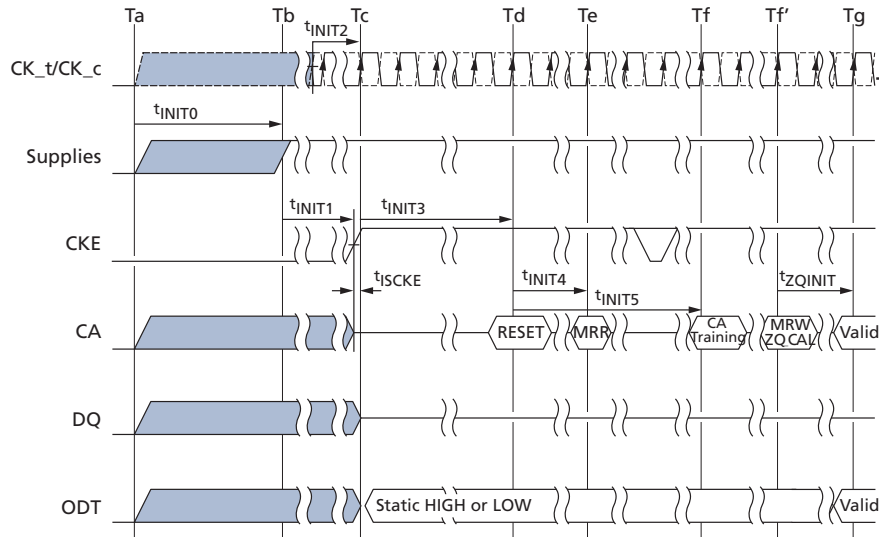
**4. ZQ Calibration:** If CA training is not required, the MRW INITIALIZATION CALIBRATION (ZQ\_CAL) command can be issued to the memory (MR10) after  $T_f$ . No other CA commands (other than RESET or NOP) may be issued prior to the completion of CA training. After the completion of CA training ( $T_f'$ ), the MRW INITIALIZATION CALIBRATION (ZQ\_CAL) command can be issued to the memory.

This command is used to calibrate output impedance over process, voltage, and temperature. In systems where more than one LPDDR3 device exists on the same bus, the controller must not overlap MRW ZQ\_CAL commands. The device is ready for normal operation after  $t_{ZQINIT}$ .

**5. Normal Operation:** After  $t_{ZQINIT}$  ( $T_g$ ), MRW commands must be used to properly configure the memory (for example, output buffer drive strength, latencies, and so on). Specifically, MR1, MR2, and MR3 must be set to configure the memory for the target frequency and memory configuration.

After the initialization sequence is complete, the device is ready for any valid command. After  $T_g$ , the clock frequency can be changed using the procedure described in the Input Clock Frequency Changes and Clock Stop Events section.

**Figure 12: Voltage Ramp and Initialization Sequence**



- Notes:
1. High-Z on the CA bus indicates a valid NOP.
  2. For  $t_{INIT}$  values, see the Initialization Timing Parameters table.
  3. After RESET command time (Tf),  $R_{TT}$  is disabled until ODT function is enabled by MRW to MR11 following Tg.
  4. CA training is optional.

**Table 9: Initialization Timing Parameters**

Parameter	Min	Max	Unit	Comment
$t_{INIT0}$	–	20	ms	Maximum voltage ramp time (Note 1)
$t_{INIT1}$	100	–	ns	Minimum CKE LOW time after completion of voltage ramp
$t_{INIT2}$	5	–	$t_{CK}$	Minimum stable clock before first CKE HIGH
$t_{INIT3}$	200	–	$\mu$ s	Minimum idle time after first CKE assertion
$t_{INIT4}$	1	–	$\mu$ s	Minimum idle time after RESET command
$t_{INIT5}$	–	10	$\mu$ s	Maximum duration of device auto initialization (Note 2)
$t_{ZQINIT}$	1	–	$\mu$ s	ZQ initial calibration
$t_{CKb}$	18	100	ns	Clock cycle time during boot

- Notes:
1. The  $t_{INIT0}$  maximum specification is not a tested limit and should be used as a general guideline. For voltage ramp times exceeding  $t_{INIT0}$  MAX, please contact the factory.
  2. If the DAI bit is not read via MRR, the device will be in the idle state after  $t_{INIT5}$  (MAX) has expired.

## Initialization After Reset (Without Voltage Ramp)

If the RESET command is issued before or after the power-up initialization sequence, the reinitialization procedure must begin at Td.

## Power-Off Sequence

The following procedure is required to power-off the device.

While powering off, CKE must be held LOW; all other inputs must be between  $V_{ILmin}$  and  $V_{IHmax}$ . The device outputs remain at High-Z while CKE is held LOW.

DQ, DM, and DQS voltage levels must be between  $V_{SSQ}$  and  $V_{DDQ}$  during the power-off sequence to avoid latch-up. CK, CS\_n, and CA input levels must be between  $V_{SSCA}$  and  $V_{DDCA}$  during the power-off sequence to avoid latch-up.

Tx is the point where any power supply drops below the minimum value specified in the Recommended DC Operating Conditions table.

Tz is the point where all power supplies are below 300mV. After Tz, the device is powered off.

**Table 10: Power Supply Conditions**

Between...	Applicable Conditions
Tx and Tz	$V_{DD1}$ must be greater than $V_{DD2} - 200mV$
	$V_{DD1}$ must be greater than $V_{DDCA} - 200mV$
	$V_{DD1}$ must be greater than $V_{DDQ} - 200mV$
	$V_{REF}$ must always be less than all other supply voltages

- Notes:
1. The voltage difference between any  $V_{SS}$ ,  $V_{SSQ}$ , and  $V_{SSCA}$  pins must not exceed 100mV.
  2. For supply and reference voltage operating conditions, see Recommended DC Operating Conditions table.

## Uncontrolled Power-Off Sequence

When an uncontrolled power-off occurs, the following conditions must be met.

- At Tx, when the power supply drops below the minimum values specified in the Recommended DC Operating Conditions table, all power supplies must be turned off and all power supply current capacity must be at zero, except for any static charge remaining in the system.
- After Tz (the point at which all power supplies first reach 300mV), the device must power-off. During this period, the relative voltage between power supplies is uncontrolled.  $V_{DD1}$  and  $V_{DD2}$  must decrease with a slope lower than  $0.5 V/\mu s$  between Tx and Tz.

An uncontrolled power-off sequence can occur a maximum of 400 times over the life of the device.

**Table 11: Power-Off Timing**

Parameter	Symbol	Min	Max	Unit
Maximum power-off ramp time	$t_{POFF}$	–	2	sec

## Standard Mode Register Definition

For LPDDR3, a set of mode registers is used for programming device operating parameters, reading device information and status, and for initiating special operations such as DQ calibration, ZQ calibration, and device reset.

## Mode Register Assignments and Definitions

Mode register definitions are provided in the Mode Register Assignments table. An "R" in the access column of the table indicates read-only; "W" indicates write-only; "R/W" indicates read- or write-capable or enabled. The MRR command is used to read from a register. The MRW command is used to write to a register.

**Table 12: Mode Register Assignments**

Notes 1–5 apply to entire table

MR#	MA[7:0]	Function	Access	OP7	OP6	OP5	OP4	OP3	OP2	OP1	OP0	Link
0	00h	Device info	R	RL3	WL-B	RFU	RZQI		RFU		DAI	Go to MR0
1	01h	Device feature 1	W	nWR (for AP)			RFU		BL			Go to MR1
2	02h	Device feature 2	W	WR Lev	WL Select	RFU	nWRE		RL and WL			Go to MR2
3	03h	I/O config-1	W	RFU					DS			Go to MR3
4	04h	SDRAM refresh rate	R	TUF	RFU				Refresh rate			Go to MR4
5	05h	Basic config-1	R	Manufacturer ID								Go to MR5
6	06h	Basic config-2	R	Revision ID1								Go to MR6
7	07h	Basic config-3	R	Revision ID2								Go to MR7
8	08h	Basic config-4	R	I/O width		Density			Type			Go to MR8
9	09h	Test mode	W	Vendor-specific test mode								Go to MR9
10	0Ah	I/O calibration	W	Calibration code								Go to MR10
11	0Bh	ODT	W	RFU				PD ctl	DQ ODT			Go to MR11
12–15	0Ch–0Fh	Reserved	–	RFU								Go to MR12
16	10h	PASR_Bank	W	PASR bank mask								Go to MR16
17	11h	PASR_Seg	W	PASR segment mask								Go to MR17
18–31	12h–1Fh	Reserved	–	RFU								Go to MR18–MR31
32	20h	DQ calibration pattern A	R	See Data Calibration Pattern Description								
33–39	21h–27h	Do not use	–									Go to MR33
40	28h	DQ calibration pattern B	R	See Data Calibration Pattern Description								
41	29h	CA training 1	W	See MRW - CA Training Mode								
42	2Ah	CA training 2	W	See MRW - CA Training Mode								
43–47	2Bh–2Fh	Do not use	–									Go to MR43
48	30h	CA training 3	W	See MRW - CA Training Mode								
49–62	31h–3Eh	Reserved	–	RFU								Go to MR49



**Table 12: Mode Register Assignments (Continued)**

Notes 1–5 apply to entire table

MR#	MA[7:0]	Function	Access	OP7	OP6	OP5	OP4	OP3	OP2	OP1	OP0	Link
63	3Fh	RESET	W					X				Go to MR63
64–255	40h–FFh	Reserved	–					RFU				Go to MR64

- Notes:
1. RFU bits must be set to 0 during MRW.
  2. RFU bits must be read as 0 during MRR.
  3. For Reads to a write-only or RFU register, DQS is toggled and undefined data is returned.
  4. RFU mode registers must not be written.
  5. Writes to read-only registers must have no impact on the functionality of the device.

**Table 13: MR0 Device Feature 0 (MA[7:0] = 00h)**

OP7	OP6	OP5	OP4	OP3	OP2	OP1	OP0
RL3	WL-B	RFU		RZQI		RFU	DAI

**Table 14: MR0 Op-Code Bit Definitions**

Register Information	Tag	Type	OP	Definition
Device auto initialization status	DAI	Read-only	OP0	0b: DAI complete 1b: DAI in progress
Built-in self-test for RZQ information	RZQI <sup>1</sup>	Read-only	OP[4:3]	00b: RZQ self-test not supported 01b: ZQ pin can connect to V <sub>DDCA</sub> or float 10b: ZQ pin can short to GND 11b: ZQ pin self-test completed, no error condition detected (ZQ pin must not float; connect to V <sub>DD</sub> or short to GND)
WL Set B support	WL-B	Read-only	OP[6]	0b: Device does not support WL Set B 1b: Device supports WL Set B
RL3 support	RL3	Read-only	OP[7]	0b: Device does not support RL = 3, nWR = 3, WL = 1 1b: Device supports RL = 3, nWR = 3, WL = 1 for frequencies ≤166 MHz

- Notes:
1. RZQI will be set upon completion of the MRW ZQ INITIALIZATION CALIBRATION command.
  2. If ZQ is connected to V<sub>DDCA</sub> to set default calibration, OP[4:3] must be set to 01. If ZQ is not connected to V<sub>DDCA</sub>, either OP[4:3] = 01 or OP[4:3] = 10 may indicate a ZQ pin assembly error.
  3. In the case of a possible assembly error, the device will default to factory trim settings for R<sub>ON</sub> and will ignore ZQ CALIBRATION commands. In either case, the system may not function as intended.
  4. If the ZQ self-test returns a value of 11b, it indicates that the device has detected a resistor connection to the ZQ pin. However, that result cannot be used to validate the ZQ resistor value or that the ZQ resistor tolerance meets the specified limit of 240Ω ±1%.

**Table 15: MR1 Device Feature 1 (MA[7:0] = 01h)**

OP7	OP6	OP5	OP4	OP3	OP2	OP1	OP0
nWR (for AP)			RFU		BL		

**Table 16: MR1 Op-Code Bit Definitions**

Feature	Type	OP	Definition	Notes
BL	Write-only	OP[2:0]	011b: BL8 (default) All others: Reserved	
nWR	Write-only	OP[7:5]	If nWR (MR2 OP[4]) = 0 001b: nWR = 3 100b: nWR = 6 110b: nWR = 8 111b: nWR = 9 If nWR (MR2 OP[4]) = 1 000b: nWR = 10 (default) 001b: nWR = 11 010b: nWR = 12 100b: nWR = 14 110b: nWR = 16 All others: Reserved	1, 2

- Notes:
1. The programmed value in the nWR register is the number of clock cycles that determine when to start the internal precharge operation for a WRITE burst with AP enabled. It is determined by  $RU \cdot (nWR / t_{CK})$ .
  2. The range of nWR is extended (MR2 OP[4] = 1) by using an extra bit (nWRE) in MR2.

**Table 17: Burst Sequence**

C2	C1	C0	BL	Burst Cycle Number and Burst Address Sequence							
				1	2	3	4	5	6	7	8
0b	0b	0b	8	0	1	2	3	4	5	6	7
0b	1b	0b		2	3	4	5	6	7	0	1
1b	0b	0b		4	5	6	7	0	1	2	3
1b	1b	0b		6	7	0	1	2	3	4	5

- Note:
1. C0 input is not present on CA bus; it is implied zero.

**Table 18: MR2 Device Feature 2 (MA[7:0] = 02h)**

OP7	OP6	OP5	OP4	OP3	OP2	OP1	OP0
WR Lev	WL Sel	RFU	nWRE	RL and WL			

**Table 19: MR2 Op-Code Bit Definitions**

Feature	Type	OP	Definition
RL and WL	Write-only	OP[3:0]	<p>If OP[6] = 0 (default, WL Set A)</p> <p>0001b: RL3/WL1 (<math>\leq 166</math> MHz)<sup>1</sup></p> <p>0100b: RL6/WL3 (<math>\leq 400</math> MHz)</p> <p>0110b: RL8/WL4 (<math>\leq 533</math> MHz)</p> <p>0111b: RL9/WL5 (<math>\leq 600</math> MHz)</p> <p>1000b: RL10/WL6 (<math>\leq 667</math> MHz, default)</p> <p>1001b: RL11/WL6 (<math>\leq 733</math> MHz)</p> <p>1010b: RL12/WL6 (<math>\leq 800</math> MHz)</p> <p>1100b: RL14/WL8 (<math>\leq 933</math> MHz)</p> <p>1110b: RL16/WL8 (<math>\leq 1066</math> MHz)</p> <p>All others: Reserved</p> <p>If OP[6] = 1 (WL Set B)</p> <p>0001b: RL3/WL1 (<math>\leq 166</math> MHz)<sup>1</sup></p> <p>0100b: RL6/WL3 (<math>\leq 400</math> MHz)</p> <p>0110b: RL8/WL4 (<math>\leq 533</math> MHz)</p> <p>0111b: RL9/WL5 (<math>\leq 600</math> MHz)</p> <p>1000b: RL10/WL8 (<math>\leq 667</math> MHz, default)</p> <p>1001b: RL11/WL9 (<math>\leq 733</math> MHz)</p> <p>1010b: RL12/WL9 (<math>\leq 800</math> MHz)</p> <p>1100b: RL14/WL11 (<math>\leq 933</math> MHz)</p> <p>1110b: RL16/WL13 (<math>\leq 1066</math> MHz)</p> <p>All others: Reserved</p>
nWRE	Write-only	OP[4]	0b: Enable nWRE programming $\leq 9$
			1b: Enable nWRE programming $>9$ (default)
WL select	Write-only	OP[6]	0b: Use WL Set A (default)
			1b: Use WL Set B <sup>2</sup>
WR Lev	Write-only	OP[7]	0b: Disable write leveling (default)
			1b: Enable write leveling

Notes: 1. See MR0 OP7.  
2. See MR0 OP6.

**Table 20: LPDDR3 READ and WRITE Latency**

Data Rate (Mb/p/s)	333	800	1066	1200	1333	1466	1600	1866	2133
t <sub>CK</sub> (ns)	6	2.5	1.875	1.67	1.5	1.36	1.25	1.071	0.938
RL	3	6	8	9	10	11	12	14	16
WL (Set A)	1	3	4	5	6	6	6	8	8
WL (Set B)	1	3	4	5	8	9	9	11	13

**Table 21: MR3 I/O Configuration 1 (MA[7:0] = 03h)**

OP7	OP6	OP5	OP4	OP3	OP2	OP1	OP0
RFU				DS			

**Table 22: MR3 Op-Code Bit Definitions**

Feature	Type	OP	Definition
DS	Write-only	OP[3:0]	0001b: 34.3Ω typical 0010b: 40Ω typical (default) 0011b: 48Ω typical 0100b: Reserved 0110b: Reserved 1001b: 34.3Ω pull-down, 40Ω pull-up 1010b: 40Ω pull-down, 48Ω pull-up 1011b: 34.3Ω pull-down, 48Ω pull-up All others: Reserved

**Table 23: MR4 Device Temperature (MA[7:0] = 04h)**

OP7	OP6	OP5	OP4	OP3	OP2	OP1	OP0
TUF	RFU				SDRAM refresh rate		

**Table 24: MR4 Op-Code Bit Definitions**

Notes 1–8 apply to entire table

Feature	Type	OP	Definition
SDRAM refresh rate	Read-only	OP[2:0]	000b: SDRAM low-temperature operating limit exceeded 001b: $4 \times t_{REFI}$ , $4 \times t_{REFIpb}$ , $4 \times t_{REFW}$ 010b: $2 \times t_{REFI}$ , $2 \times t_{REFIpb}$ , $2 \times t_{REFW}$ 011b: $1 \times t_{REFI}$ , $1 \times t_{REFIpb}$ , $1 \times t_{REFW}$ ( $\leq 85^\circ\text{C}$ ) 100b: $0.5 \times t_{REFI}$ , $0.5 \times t_{REFIpb}$ , $0.5 \times t_{REFW}$ , no AC timing derating 101b: $0.25 \times t_{REFI}$ , $0.25 \times t_{REFIpb}$ , $0.25 \times t_{REFW}$ , no AC timing derating 110b: $0.25 \times t_{REFI}$ , $0.25 \times t_{REFIpb}$ , $0.25 \times t_{REFW}$ , timing derating required 111b: SDRAM high-temperature operating limit exceeded
Temperature update flag (TUF)	Read-only	OP7	0b: OP[2:0] value has not changed since last read of MR4 1b: OP[2:0] value has changed since last read of MR4

- Notes:
1. A mode register read from MR4 will reset OP7 to 0.
  2. OP7 is reset to 0 at power-up.
  3. If OP2 = 1, the device temperature is greater than 85°C.
  4. OP7 is set to 1 if OP[2:0] has changed at any time since the last MR4 read.
  5. The device might not operate properly when OP[2:0] = 000b or 111b.
  6. For the specified operating temperature range and maximum operating temperature, refer to the Operating Temperature Range table.

7. LPDDR3 devices must be derated by adding 1.875ns to the following core timing parameters:  $t_{RCD}$ ,  $t_{RC}$ ,  $t_{RAS}$ ,  $t_{RP}$ , and  $t_{RRD}$ . The  $t_{DQSCK}$  parameter must be derated as specified in the AC Timing table. Prevailing clock frequency specifications and related setup and hold timings remain unchanged.
8. The recommended frequency for reading MR4 is provided in the Temperature Sensor section.

**Table 25: MR5 Basic Configuration 1 (MA[7:0] = 05h)**

OP7	OP6	OP5	OP4	OP3	OP2	OP1	OP0
Manufacturer ID							

**Table 26: MR5 Op-Code Bit Definitions**

Feature	Type	OP	Definition
Manufacturer ID	Read-only	OP[7:0]	0000 0011b: Micron
			1111 1111b: Micron
			All others: Reserved

**Table 27: MR6 Basic Configuration 2 (MA[7:0] = 06h)**

OP7	OP6	OP5	OP4	OP3	OP2	OP1	OP0
Revision ID1							

Note: 1. MR6 is vendor-specific.

**Table 28: MR6 Op-Code Bit Definitions**

Feature	Type	OP	Definition
Revision ID1	Read-only	OP[7:0]	0000 0000b: Revision A
			0000 0001b: Revision B
			0000 0010b: Revision C

**Table 29: MR7 Basic Configuration 3 (MA[7:0] = 07h)**

OP7	OP6	OP5	OP4	OP3	OP2	OP1	OP0
Revision ID2							

**Table 30: MR7 Op-Code Bit Definitions**

Feature	Type	OP	Definition
Revision ID2	Read-only	OP[7:0]	RFU

Note: 1. MR7 is vendor-specific.

**Table 31: MR8 Basic Configuration 4 (MA[7:0] = 08h)**

OP7	OP6	OP5	OP4	OP3	OP2	OP1	OP0
I/O width		Density				Type	

**Table 32: MR8 Op-Code Bit Definitions**

Feature	Type	OP	Definition
Type	Read-only	OP[1:0]	11b: LPDDR3 All other states reserved
Density	Read-only	OP[5:2]	0110b: 4Gb 1110b: 6Gb 0111b: 8Gb 1101b: 12Gb 1000b: 16Gb 1001b: 32Gb All others: Reserved
I/O width	Read-only	OP[7:6]	00b: x32 01b: x16 All others: Reserved

**Table 33: MR9 Test Mode (MA[7:0] = 09h)**

OP7	OP6	OP5	OP4	OP3	OP2	OP1	OP0
Vendor-specific test mode							

**Table 34: MR10 Calibration (MA[7:0] = 0Ah)**

OP7	OP6	OP5	OP4	OP3	OP2	OP1	OP0
Calibration code							

**Table 35: MR10 Op-Code Bit Definitions**

Notes 1–4 apply to entire table

Feature	Type	OP	Definition
Calibration code	Write-only	OP[7:0]	0xFF: CALIBRATION command after initialization 0xAB: Long calibration 0x56: Short calibration 0xC3: ZQ reset All others: Reserved

- Notes:
1. The device ignores calibration commands when a reserved value is written into MR10.
  2. See AC Timing table for the calibration latency.
  3. If ZQ is connected to  $V_{SSCA}$  through  $R_{ZQ}$ , either the ZQ calibration function (see MRW ZQ CALIBRATION Command) or default calibration (through the ZQ RESET command) is supported. If ZQ is connected to  $V_{DDCA}$ , the device operates with default calibration and ZQ CALIBRATION commands are ignored. In both cases, the ZQ connection must not change after power is supplied to the device.
  4. Devices that do not support calibration ignore the ZQ CALIBRATION command.

**Table 36: MR11 ODT Control (MA[7:0] = 0Bh)**

OP7	OP6	OP5	OP4	OP3	OP2	OP1	OP0
Reserved					PD CTL	DQ ODT	

**Table 37: MR11 Op-Code Bit Definitions**

Feature	Type	OP	Definition
DQ ODT	Write-only	OP[1:0]	00b: Disable (default) 01b: RZQ/4 (Note1) 10b: RZQ/2 11b: RZQ/1
PD control	Write-only	OP[2]	00b: ODT disabled by DRAM during power-down (default) 01b: ODT enabled by DRAM during power-down

- Note:
1. RZQ/4 is supported for LPDDR3-1866 and LPDDR3-2133 devices. RZQ/4 support is optional for LPDDR3-1333 and LPDDR3-1600 devices. Consult Micron specifications for RZQ/4 support for LPDDR3-1333 and LPDDR3-1600.

**Table 38: MR16 PASR Bank Mask (MA[7:0] = 010h)**

OP7	OP6	OP5	OP4	OP3	OP2	OP1	OP0
PASR bank mask							

**Table 39: MR16 Op-Code Bit Definitions**

Feature	Type	OP	Definition
Bank[7:0] mask	Write-only	OP[7:0]	0b: Refresh enable to the bank = unmasked (default) 1b: Refresh blocked = masked

**Table 40: MR17 PASR Segment Mask (MA[7:0] = 011h)**

OP7	OP6	OP5	OP4	OP3	OP2	OP1	OP0
PASR segment mask							

**Table 41: MR17 PASR Segment Mask Definitions**

Feature	Type	OP	Definition
Segment[7:0] mask	Write-only	OP[7:0]	0b: Refresh enable to the segment = unmasked (default) 1b: Refresh blocked = masked

**Table 42: MR17 PASR Row Address Ranges in Masked Segments**

Segment	OP	Segment Mask	4Gb	6Gb <sup>2</sup> , 8Gb, 12Gb <sup>2</sup> & 16Gb	32Gb
			R[13:11]	R[14:12]	TBD
0	0	XXXXXXXX1		000b	
1	1	XXXXXX1X		001b	
2	2	XXXXX1XX		010b	
3	3	XXXX1XXX		011b	
4	4	XXX1XXXX		100b	
5	5	XX1XXXXX		101b	
6	6	X1XXXXXX		110b	
7	7	1XXXXXXX		111b	

- Notes:
1. X = "Don't Care" for the designated segment.
  2. No memory present at addresses with R13 = R14 = HIGH. Segment masks 6 and 7 are ignored.

**Table 43: MR63 RESET (MA[7:0] = 3Fh) – MRW Only**

OP7	OP6	OP5	OP4	OP3	OP2	OP1	OP0
X or 0xFCh							

- Note:
1. For additional information on MRW RESET, see the Mode Register Write (MRW) section.



**Table 44: Reserved Mode Registers**

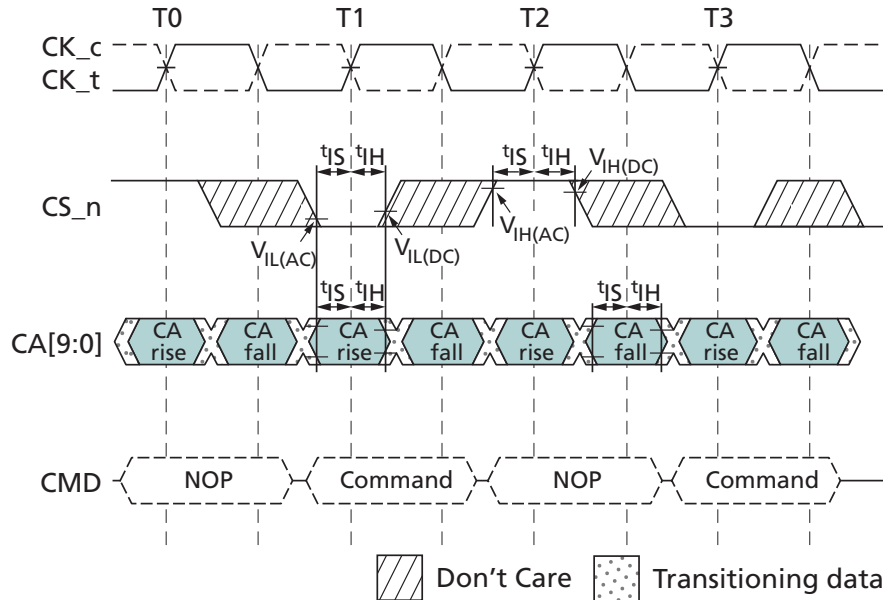
Mode Register	MA	Address	Restriction	OP7	OP6	OP5	OP4	OP3	OP2	OP1	OP0
MR[12:15]	MA[7:0]	0Ch-0Fh	Reserved	Reserved							
MR[18:31]		12h-1Fh	Reserved	Reserved							
MR[33:39]		21h-27h	DNU	DNU							
MR[43:47]		2Bh-2Fh	DNU	DNU							
MR[49:62]		31h-3Eh	Reserved	Reserved							
MR[64:255]		40h-FFh	Reserved	Reserved							

Note: 1. DNU = Do not use; RVU = Reserved for vendor use.

## Commands and Timing

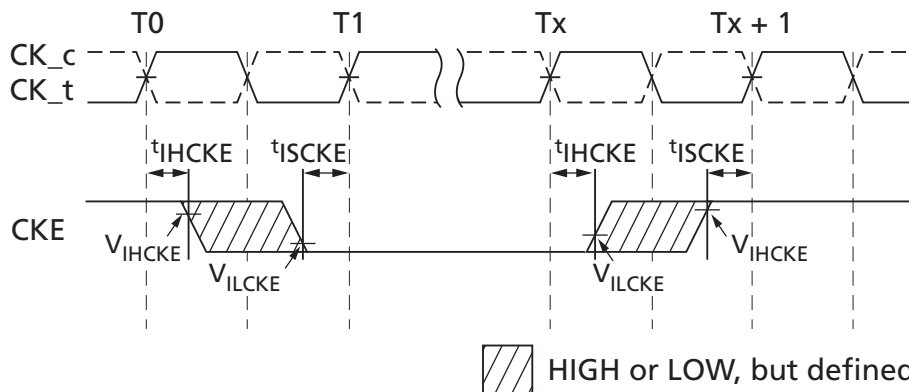
The setup and hold timings shown in the figures below apply for all commands.

**Figure 13: Command and Input Setup and Hold**



Note: 1. Setup and hold conditions also apply to the CKE pin. For timing diagrams related to the CKE pin, see the Power-Down section.

**Figure 14: CKE Input Setup and Hold**

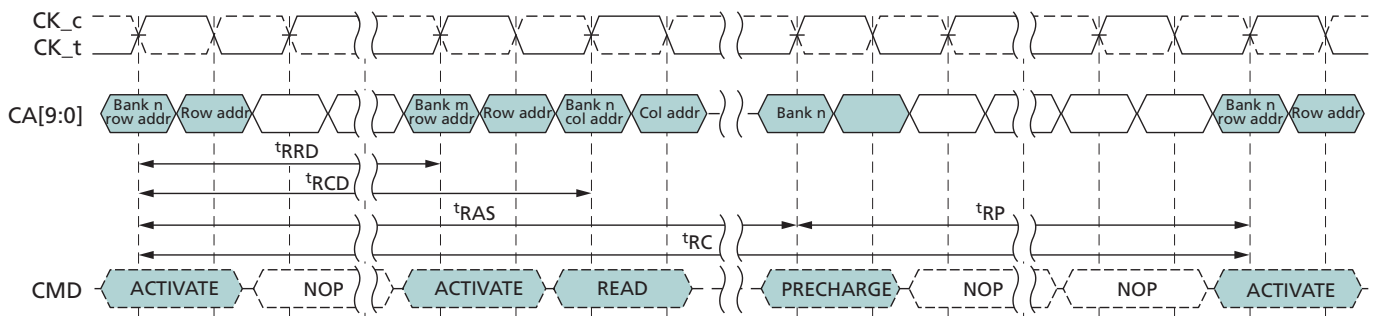


Notes: 1. After CKE is registered LOW, the CKE signal level is maintained below  $V_{ILCKE}$  for  $t_{CKE}$  specification (LOW pulse width).  
2. After CKE is registered HIGH, the CKE signal level is maintained above  $V_{IHCKE}$  for  $t_{CKE}$  specification (HIGH pulse width).

## ACTIVATE Command

The ACTIVATE command is issued by holding CS<sub>n</sub> LOW, CA0 LOW, and CA1 HIGH at the rising edge of the clock. The bank addresses BA[2:0] are used to select the desired bank. Row addresses are used to determine which row to activate in the selected bank. The ACTIVATE command must be applied before any READ or WRITE operation can be executed. The device can accept a READ or WRITE command at <sup>t</sup>RCD after the ACTIVATE command is issued. After a bank has been activated, it must be precharged before another ACTIVATE command can be applied to the same bank. The bank active and precharge times are defined as <sup>t</sup>RAS and <sup>t</sup>RP, respectively. The minimum time interval between successive ACTIVATE commands to the same bank is determined by the RAS cycle time of the device (<sup>t</sup>RC). The minimum time interval between ACTIVATE commands to different banks is <sup>t</sup>RRD.

Figure 15: ACTIVATE Command



Note: 1. A PRECHARGE ALL command uses <sup>t</sup>RPab timing, and a single-bank PRECHARGE command uses <sup>t</sup>RPpb timing. In this figure, <sup>t</sup>RP denotes either an all-bank PRECHARGE or a single-bank PRECHARGE.

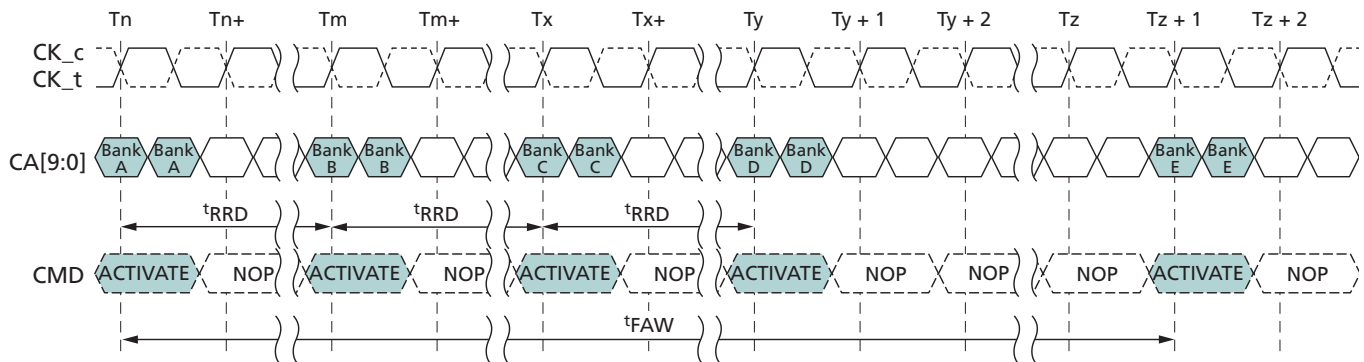
## 8-Bank Device Operation

Certain restrictions must be taken into consideration when operating 8-bank devices; one restricts the number of sequential ACTIVATE commands that can be issued and one provides additional RAS precharge time for a PRECHARGE ALL command.

**The 8-Bank Device Sequential Bank Activation Restriction:** No more than four banks can be activated (or refreshed, in the case of REFpb) in a rolling <sup>t</sup>FAW window. The number of clocks in a <sup>t</sup>FAW period depends on the clock frequency, which may vary. If the clock frequency is not changed over this period, convert to clocks by dividing <sup>t</sup>FAW[ns] by <sup>t</sup>CK[ns] and then rounding up to the next integer value. As an example of the rolling window, if RU(<sup>t</sup>FAW/<sup>t</sup>CK) is 10 clocks, and an ACTIVATE command is issued in clock *n*, no more than three further ACTIVATE commands can be issued at or between clock *n* + 1 and *n* + 9. REFpb also counts as bank activation for purposes of <sup>t</sup>FAW. If the clock is changed during the <sup>t</sup>FAW period, the rolling <sup>t</sup>FAW window may be calculated in clock cycles by adding together the time spent in each clock period. The <sup>t</sup>FAW requirement is met when the previous *n* clock cycles exceeds the <sup>t</sup>FAW time.

**The 8-Bank Device PRECHARGE ALL Provision:** <sup>t</sup>RP for a PRECHARGE ALL command must equal <sup>t</sup>RPab, which is greater than <sup>t</sup>RPpb.

**Figure 16:  $t_{FAW}$  Timing**



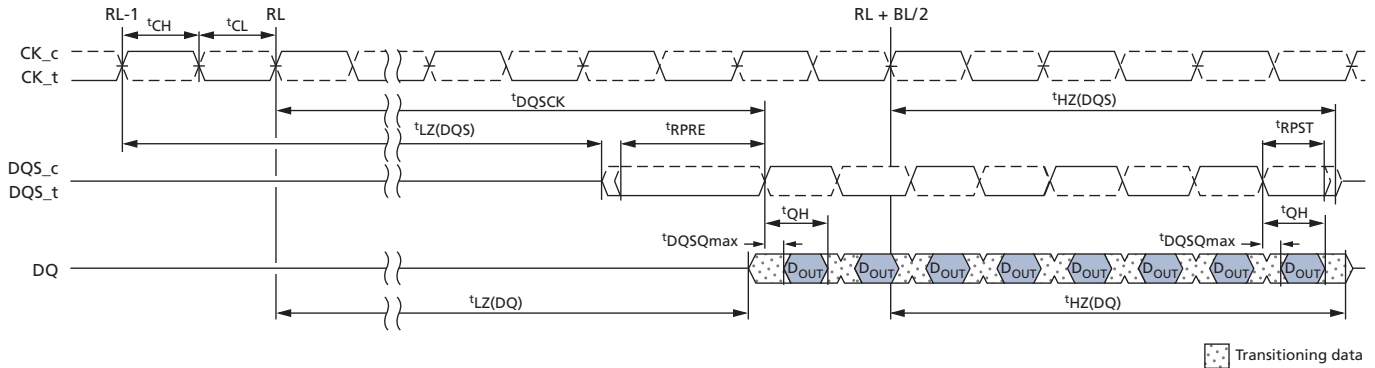
## Read and Write Access Modes

After a bank is activated, a READ or WRITE command can be issued with  $CS_n$  LOW,  $CA0$  HIGH, and  $CA1$  LOW at the rising edge of the clock.  $CA2$  must also be defined at this time to determine whether the access cycle is a READ operation ( $CA2$  HIGH) or a WRITE operation ( $CA2$  LOW). A single READ or WRITE command initiates a burst READ or burst WRITE operation on successive clock cycles. Burst interrupts are not allowed.

## Burst READ Command

The burst READ command is initiated with CS<sub>n</sub> LOW, CA0 HIGH, CA1 LOW, and CA2 HIGH at the rising edge of the clock. The command address bus inputs, CA5r–CA6r and CA1f–CA9f, determine the starting column address for the burst. The read latency (RL) is defined from the rising edge of the clock on which the READ command is issued to the rising edge of the clock from which the <sup>t</sup>DQSCK delay is measured. The first valid data is available  $RL \times ^tCK + ^tDQSCK + ^tDQSQ$  after the rising edge of the clock when the READ command is issued. The data strobe output is driven LOW <sup>t</sup>RPRE before the first valid rising strobe edge. The first bit of the burst is synchronized with the first rising edge of the data strobe. Each subsequent data-out appears on each DQ pin, edge-aligned with the data strobe. The RL is programmed in the mode registers. Pin input timings for the data strobe are measured relative to the crosspoint of DQS<sub>t</sub> and its complement, DQS<sub>c</sub>.

**Figure 17: READ Output Timing**



Note: 1. <sup>t</sup>DQSCK can span multiple clock periods.

**Figure 18: Burst READ – RL = 12, BL = 8, <sup>t</sup>DQSCK > <sup>t</sup>CK**

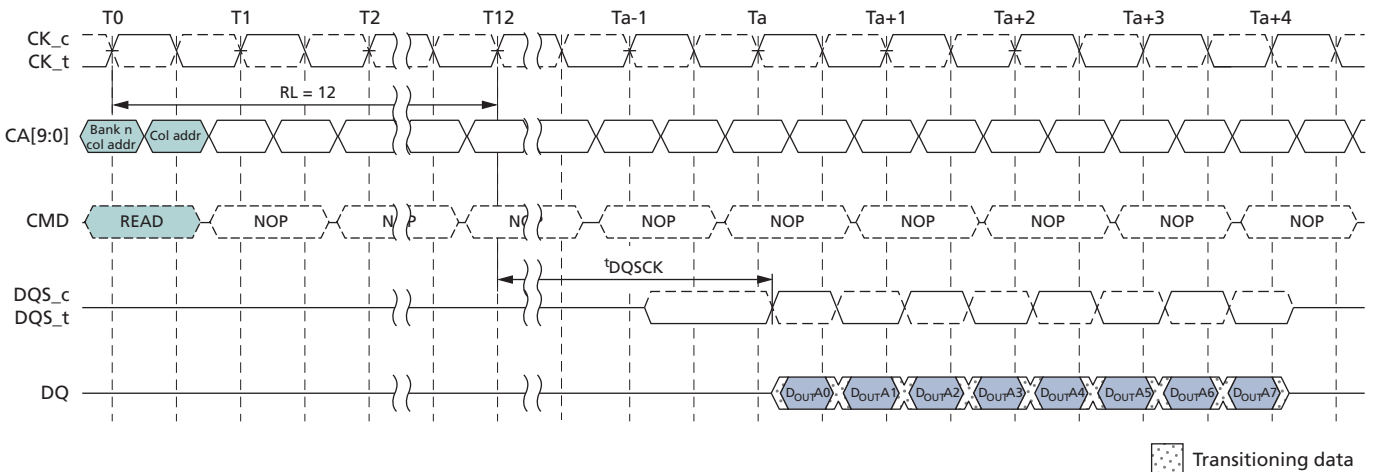


Figure 19: Burst READ – RL = 12, BL = 8,  $t_{DQSCk} < t_{CK}$

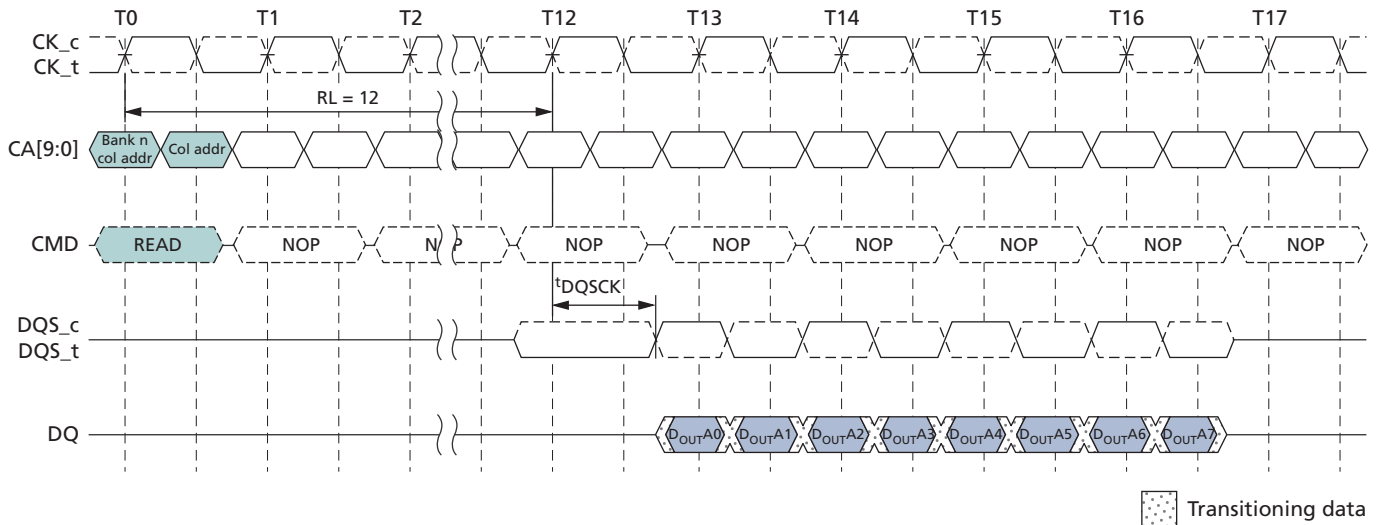
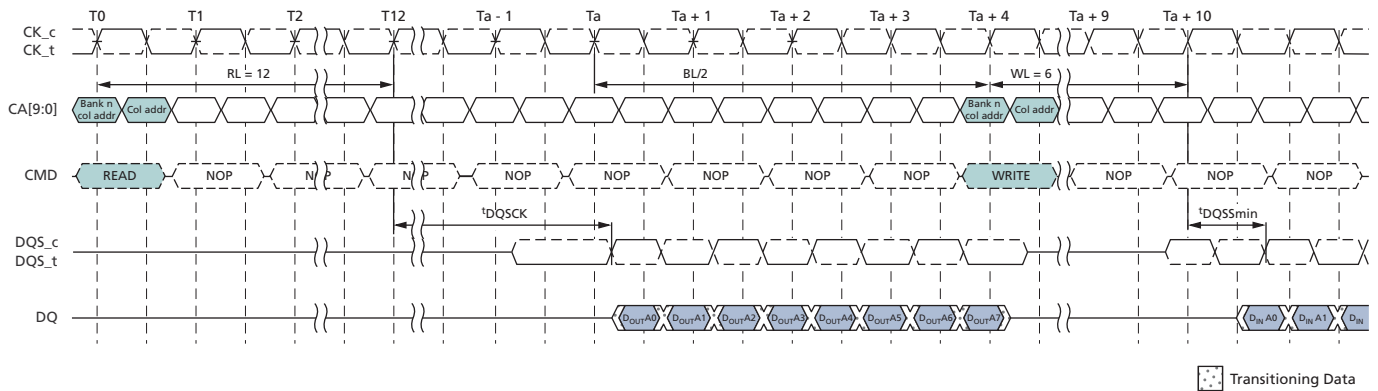
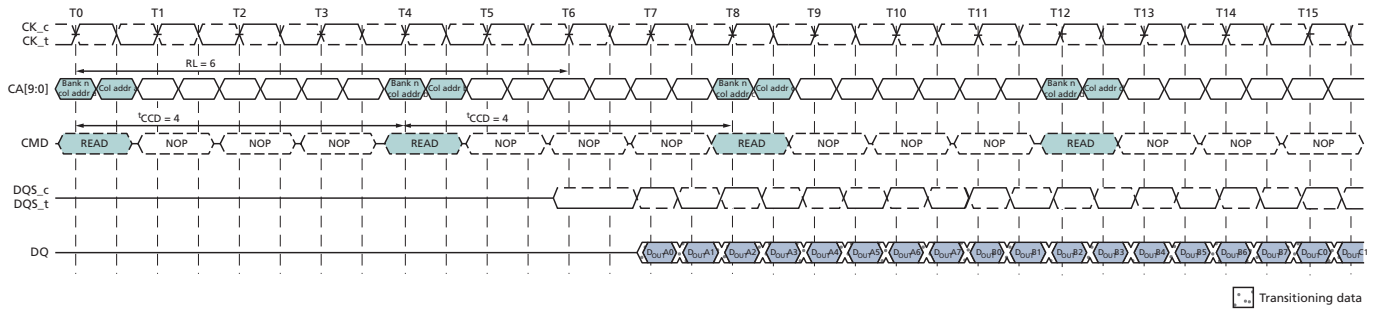


Figure 20: Burst READ Followed by Burst WRITE – RL = 12, WL = 6, BL = 8



The minimum time from the burst READ command to the burst WRITE command is defined by the read latency (RL) and the burst length (BL). Minimum READ-to-WRITE latency is  $RL + RU(t_{DQSCk}(MAX)/t_{CK}) + BL/2 + 1 - WL$  clock cycles.

**Figure 21: Seamless Burst READ – RL = 6, BL = 8,  $t_{CCD} = 4$**

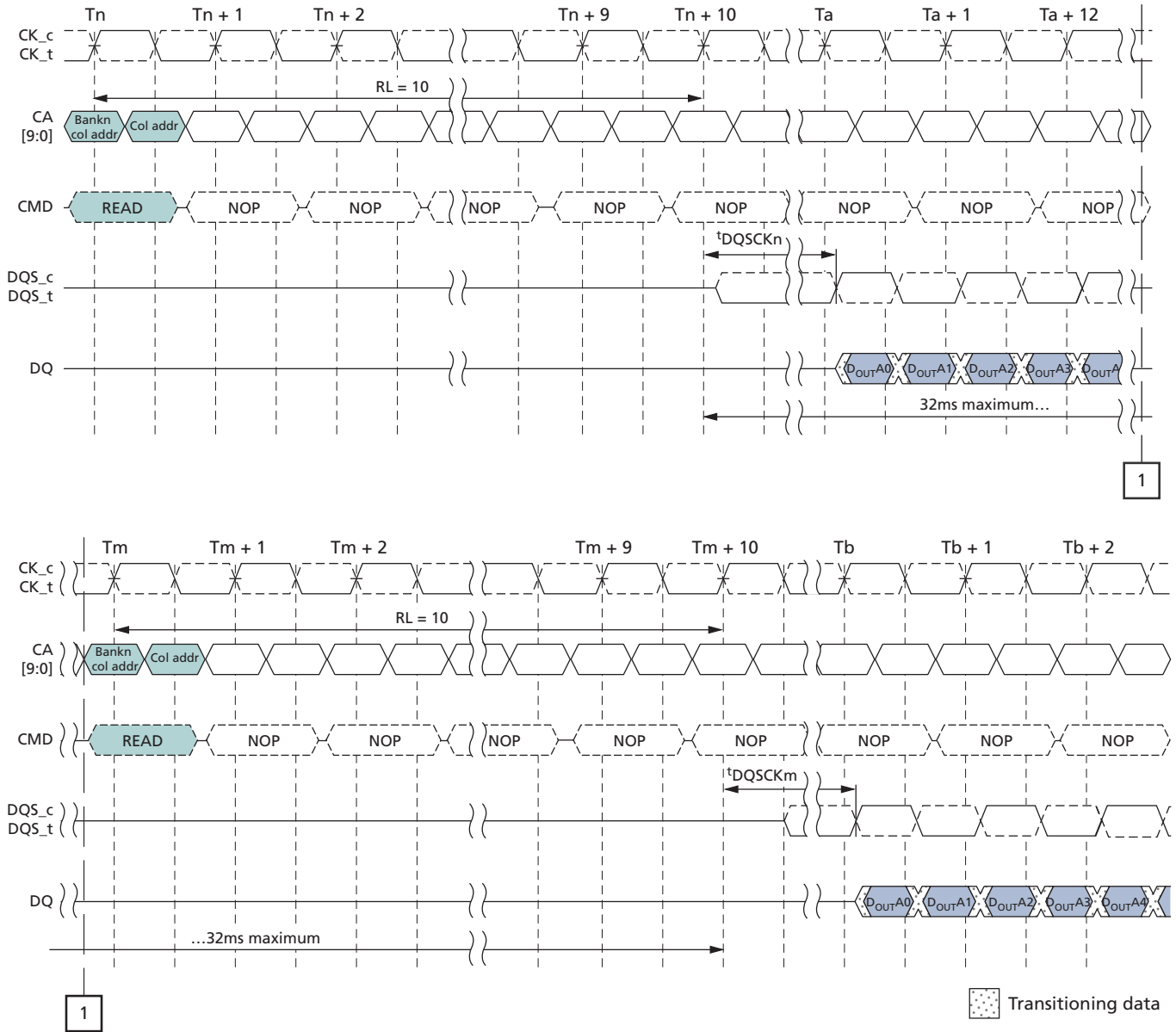


The seamless burst READ operation is supported by enabling a READ command at every fourth clock cycle for BL = 8 operation. This operation is supported as long as the banks are activated, whether the accesses read the same or different banks.

### $t_{DQSK}$ Delta Timing

To allow the system to track variations in  $t_{DQSK}$  output across multiple clock cycles, three parameters are provided:  $t_{DQSKDL}$  (delta long),  $t_{DQSKDM}$  (delta medium), and  $t_{DQSKDS}$  (delta short). Each of these parameters defines the change in  $t_{DQSK}$  over a short, medium, or long rolling window, respectively. The definition for each  $t_{DQSK}$ -delta parameter is shown in the figures below.

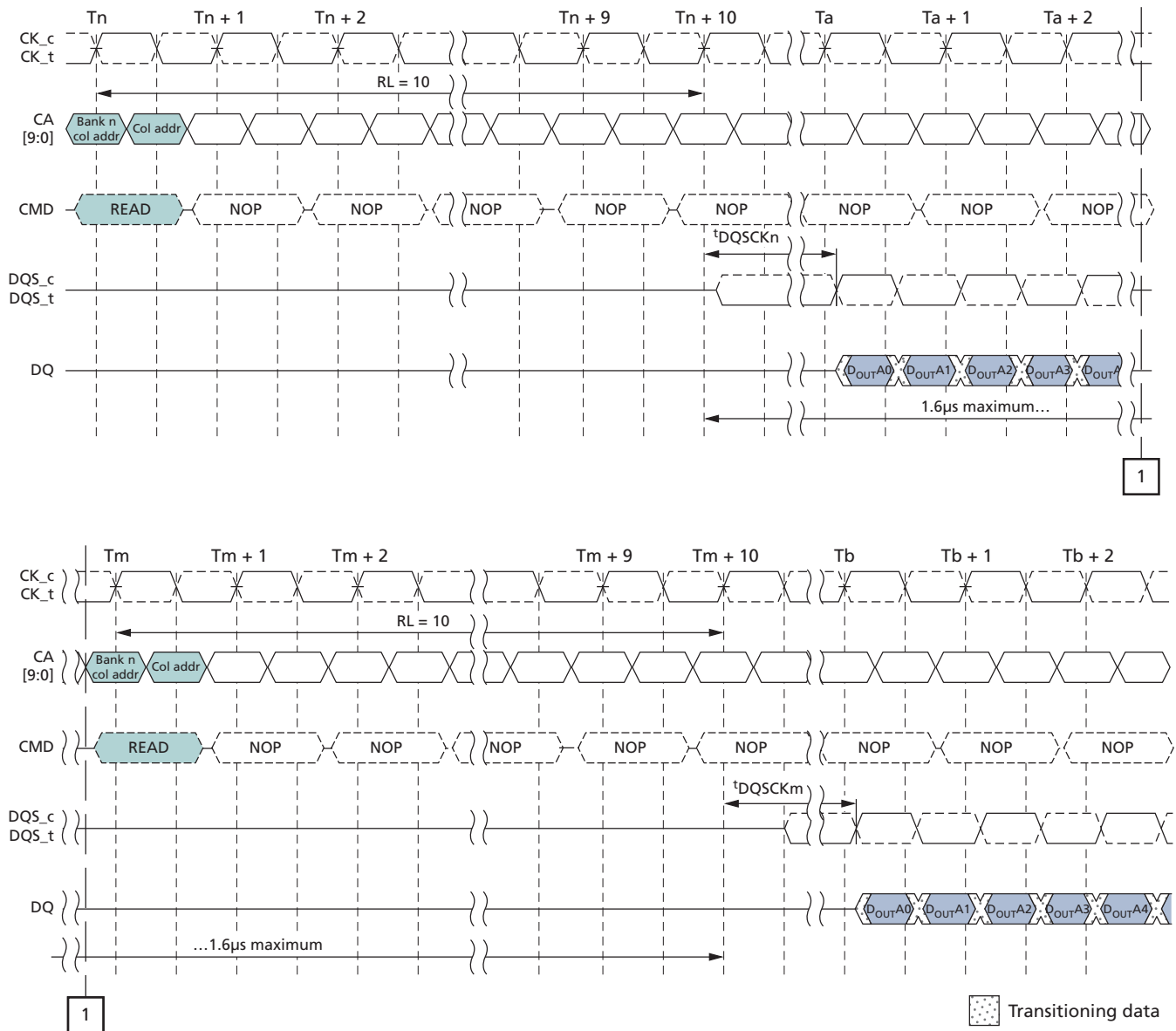
**Figure 22:  $t^{\text{DQ}}\text{SCKDL}$  Timing**



- Notes:
1.  $t^{\text{DQ}}\text{SCKDL} = (t^{\text{DQ}}\text{SCK}n - t^{\text{DQ}}\text{SCK}m)$ .
  2.  $t^{\text{DQ}}\text{SCKDL} (\text{MAX})$  is defined as the maximum of ABS ( $t^{\text{DQ}}\text{SCK}n - t^{\text{DQ}}\text{SCK}m$ ) for any ( $t^{\text{DQ}}\text{SCK}n, t^{\text{DQ}}\text{SCK}m$ ) pair within any 32ms rolling window.

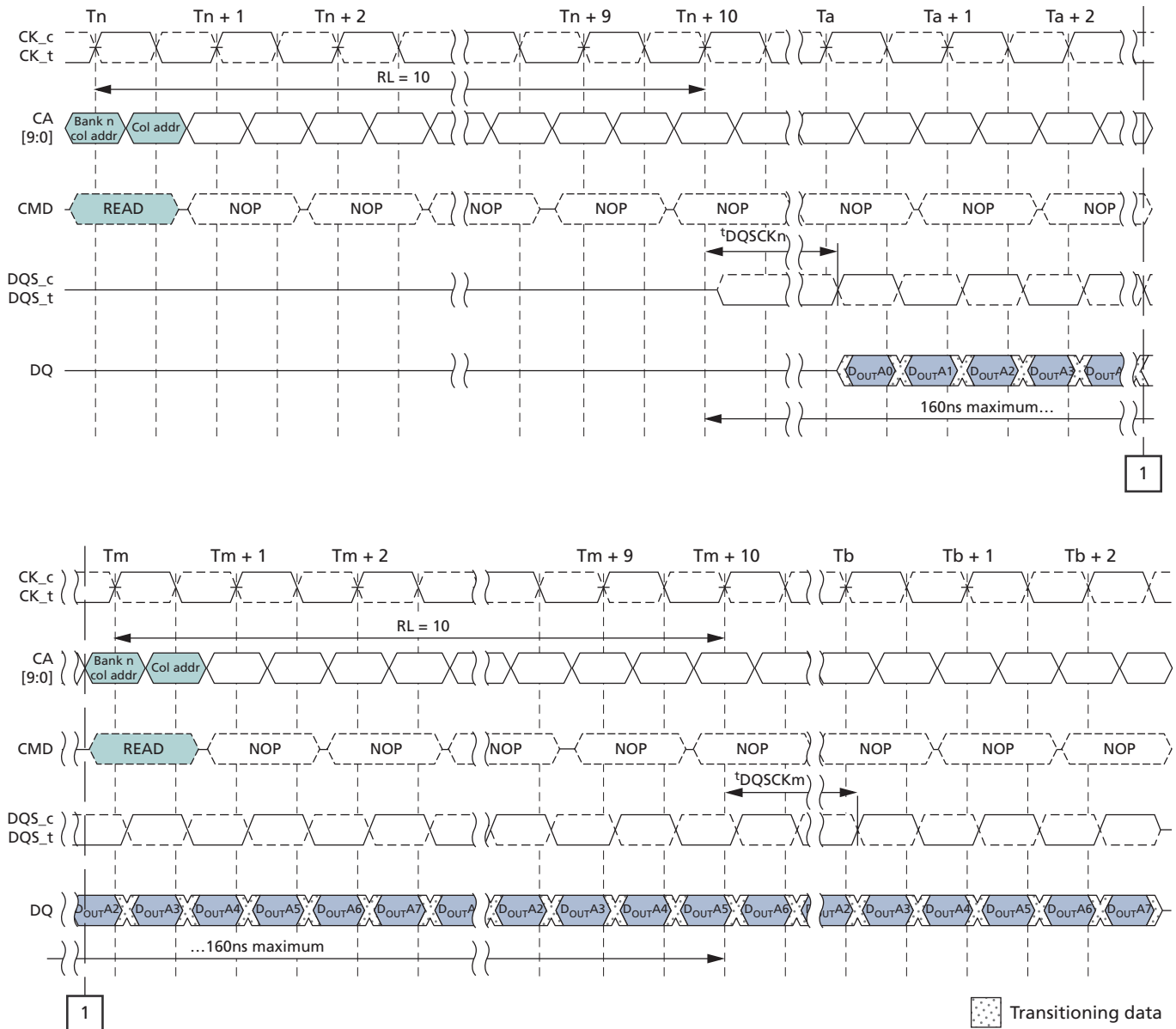


**Figure 23:  $t^{\text{DQSCDM}}$  Timing**



- Notes:
1.  $t^{\text{DQSCDM}} = (t^{\text{DQSC}n} - t^{\text{DQSC}m})$ .
  2.  $t^{\text{DQSCDM}} (\text{MAX})$  is defined as the maximum of ABS ( $t^{\text{DQSC}n} - t^{\text{DQSC}m}$ ) for any ( $t^{\text{DQSC}n}$ ,  $t^{\text{DQSC}m}$ ) pair within any  $1.6\mu\text{s}$  rolling window.

**Figure 24:  $t^{\text{DQSKDS}}$  Timing**

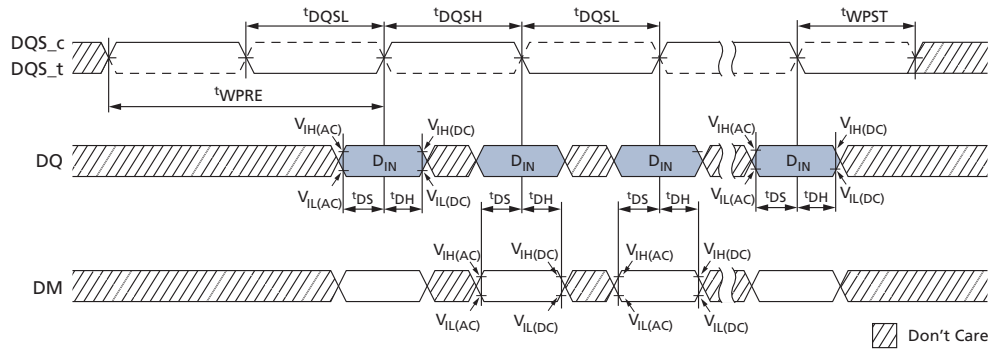


- Notes:
1.  $t^{\text{DQSKDS}} = (t^{\text{DQSK}n} - t^{\text{DQSK}m})$ .
  2.  $t^{\text{DQSKDS}}(\text{MAX})$  is defined as the maximum of ABS ( $t^{\text{DQSK}n} - t^{\text{DQSK}m}$ ) for any ( $t^{\text{DQSK}n}, t^{\text{DQSK}m}$ ) pair for READs within a consecutive burst, within any 160ns rolling window.

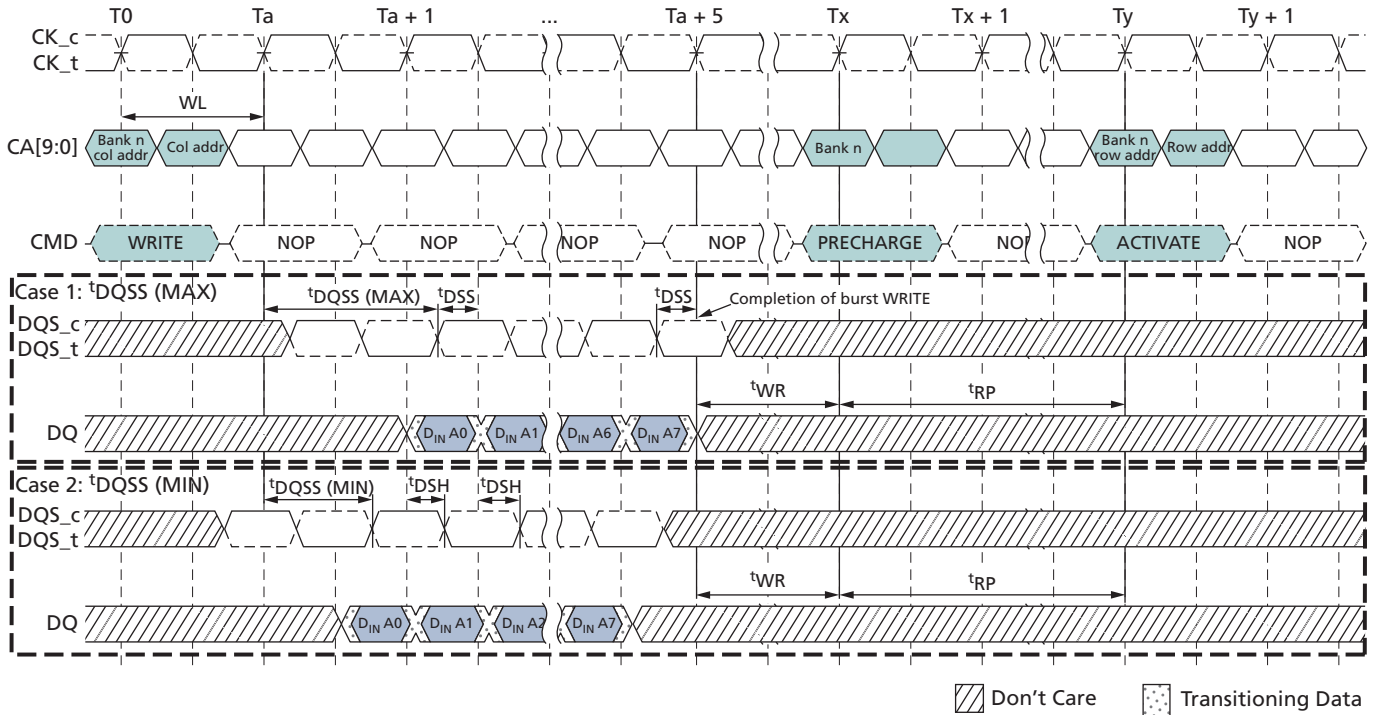
## Burst WRITE Command

The burst WRITE command is initiated with CS<sub>n</sub> LOW, CA0 HIGH, CA1 LOW, and CA2 LOW at the rising edge of the clock. The command address bus inputs, CA5<sub>r</sub>–CA6<sub>r</sub> and CA1<sub>f</sub>–CA9<sub>f</sub>, determine the starting column address for the burst. Write latency (WL) is defined from the rising edge of the clock on which the WRITE command is issued to the rising edge of the clock from which the <sup>t</sup>DQSS delay is measured. The first valid data must be driven  $WL \times {}^tCK + {}^tDQSS$  from the rising edge of the clock from which the WRITE command is issued. The data strobe signals (DQS) must be driven as shown in Figure 27 (page 54). The burst cycle data bits must be applied to the DQ pins <sup>t</sup>DS prior to the associated edge of the DQS and held valid until <sup>t</sup>DH after that edge. Burst data is sampled on successive edges of the DQS<sub>t</sub> until the burst length is completed. After a burst WRITE operation, <sup>t</sup>WR must be satisfied before a PRECHARGE command to the same bank can be issued. Pin input timings are measured relative to the crosspoint of DQS<sub>t</sub> and its complement, DQS<sub>c</sub>.

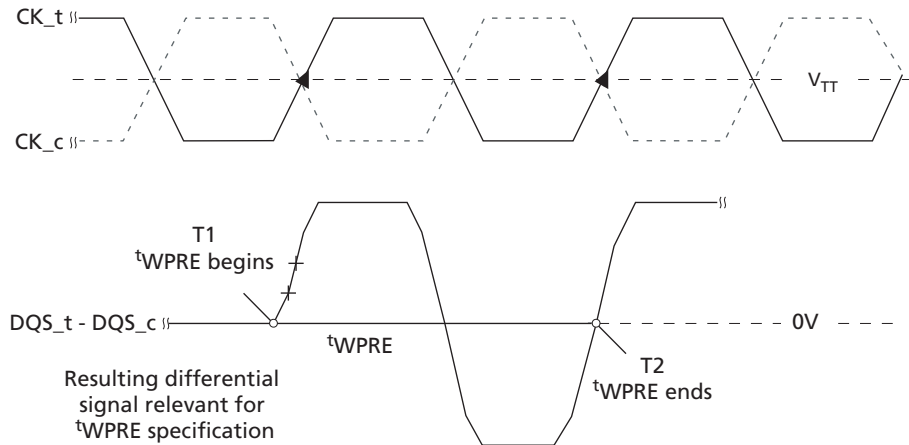
Figure 25: Data Input (WRITE) Timing



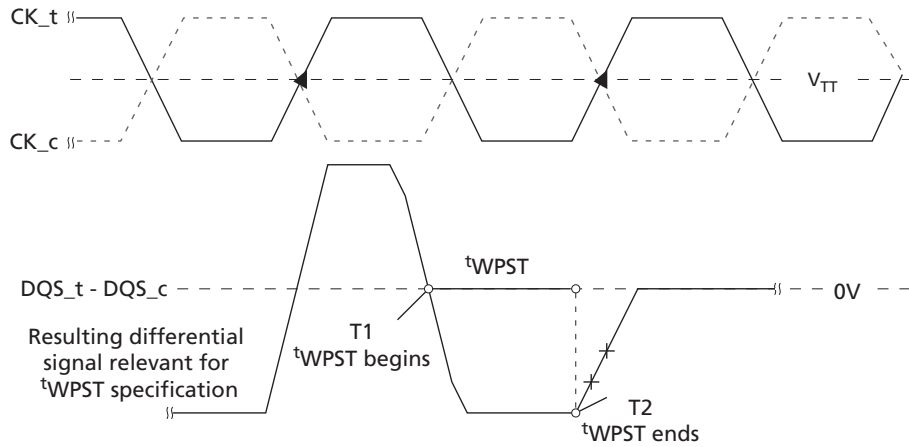
**Figure 26: Burst WRITE**



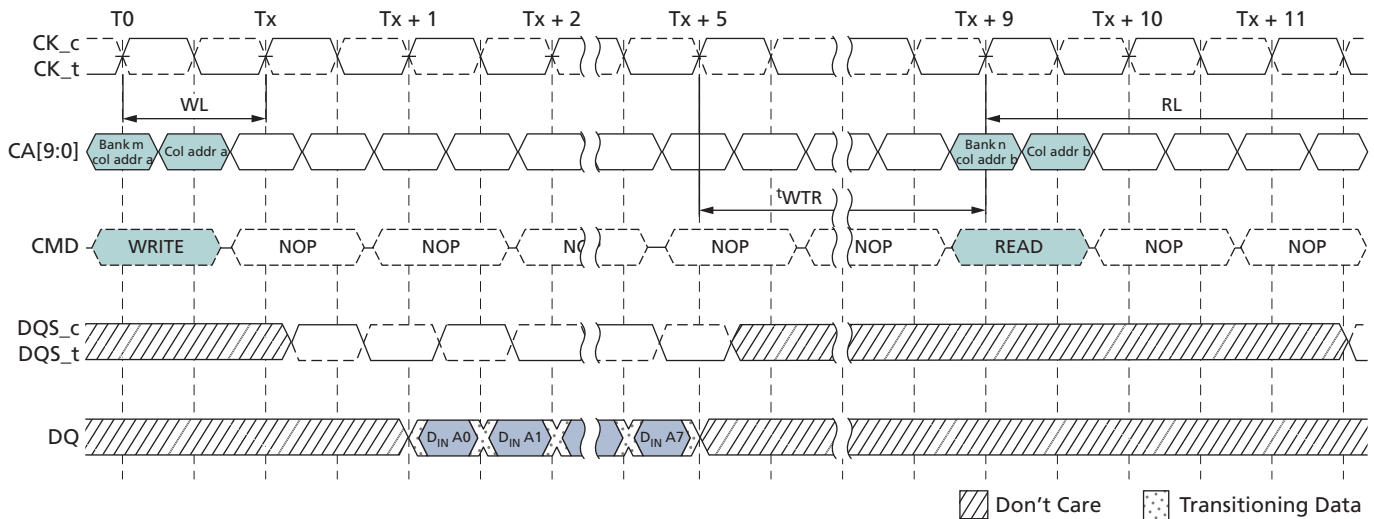
**Figure 27: Method for Calculating  $t_{WPRE}$  Transitions and Endpoints**



**Figure 28: Method for Calculating  $t_{WPST}$  Transitions and Endpoints**

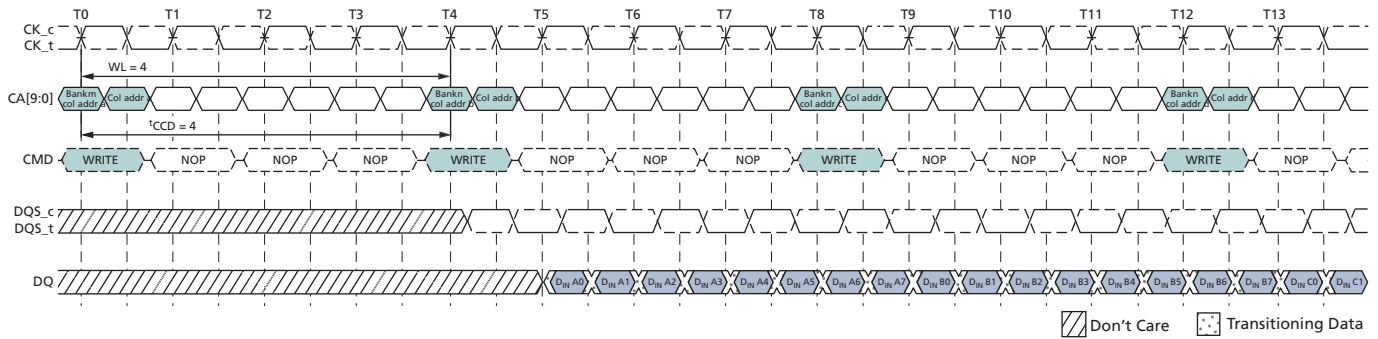


**Figure 29: Burst WRITE Followed by Burst READ**



- Notes:
1. The minimum number of clock cycles from the burst WRITE command to the burst READ command for any bank is  $[WL + 1 + BL/2 + RU(t_{WTR}/t_{CK})]$ .
  2.  $t_{WTR}$  starts at the rising edge of the clock after the last valid input data.

**Figure 30: Seamless Burst WRITE – WL = 4, BL = 8,  $t_{CCD} = 4$**



**Note:** 1. The seamless burst WRITE operation is supported by enabling a WRITE command every four clocks for  $BL = 8$  operation. This operation is supported for any activated bank.

## Write Data Mask

LPDDR3 devices support one write data mask (DM) pin for each data byte (DQ), which is consistent with LPDDR2 devices. Each DM can mask its respective DQ for any given cycle of the burst. Data mask timings match data bit timing, but are inputs only. Internal data mask loading is identical to data bit loading to ensure matched system timing.

Figure 31: Data Mask Timing

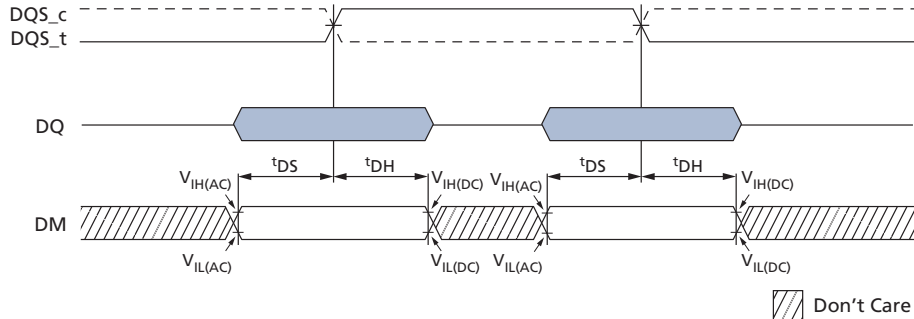
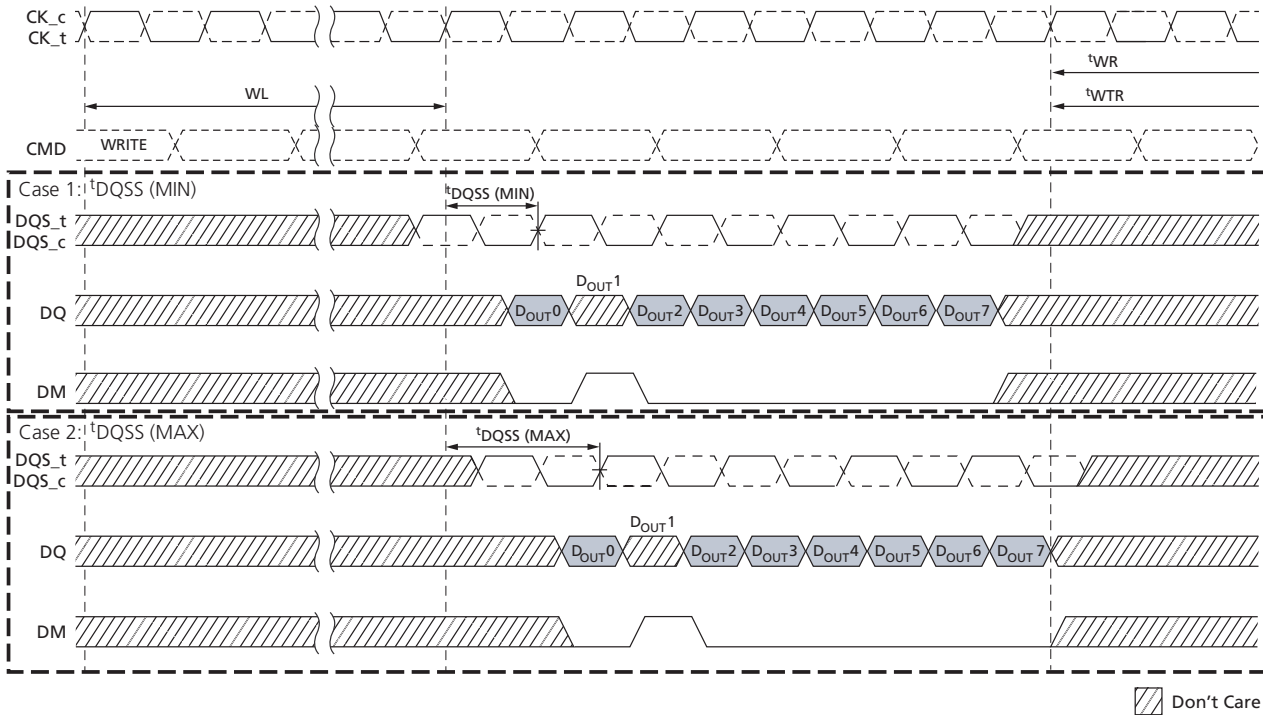


Figure 32: Write Data Mask – Second Data Bit Masked



## PRECHARGE Command

The PRECHARGE command is used to precharge or close a bank that has been activated. The PRECHARGE command is initiated with CS<sub>n</sub> LOW, CA0 HIGH, CA1 HIGH, CA2 LOW, and CA3 HIGH at the rising edge of the clock. The PRECHARGE command can be used to precharge each bank independently or all banks simultaneously. The AB flag and the bank address bits BA0, BA1, and BA2 are used to determine which bank(s) to precharge. The precharged bank(s) will be available for subsequent row access <sup>t</sup>RPab after an all-bank PRECHARGE command is issued, or <sup>t</sup>RPpb after a single-bank PRECHARGE command is issued.

To ensure that LPDDR3 devices can meet the instantaneous current demand required to operate, the row precharge time (<sup>t</sup>RP) for an all bank PRECHARGE (<sup>t</sup>RPab) will be longer than the row precharge time for a single-bank PRECHARGE (<sup>t</sup>RPpb). ACTIVATE to PRECHARGE timing is shown in the ACTIVATE Command figure.

**Table 45: Bank Selection for PRECHARGE by Address Bits**

AB (CA4r)	BA2 (CA9r)	BA1 (CA8r)	BA0 (CA7r)	Precharged Bank(s) 8-Bank Device
0	0	0	0	Bank 0 only
0	0	0	1	Bank 1 only
0	0	1	0	Bank 2 only
0	0	1	1	Bank 3 only
0	1	0	0	Bank 4 only
0	1	0	1	Bank 5 only
0	1	1	0	Bank 6 only
0	1	1	1	Bank 7 only
1	Don't Care	Don't Care	Don't Care	All banks

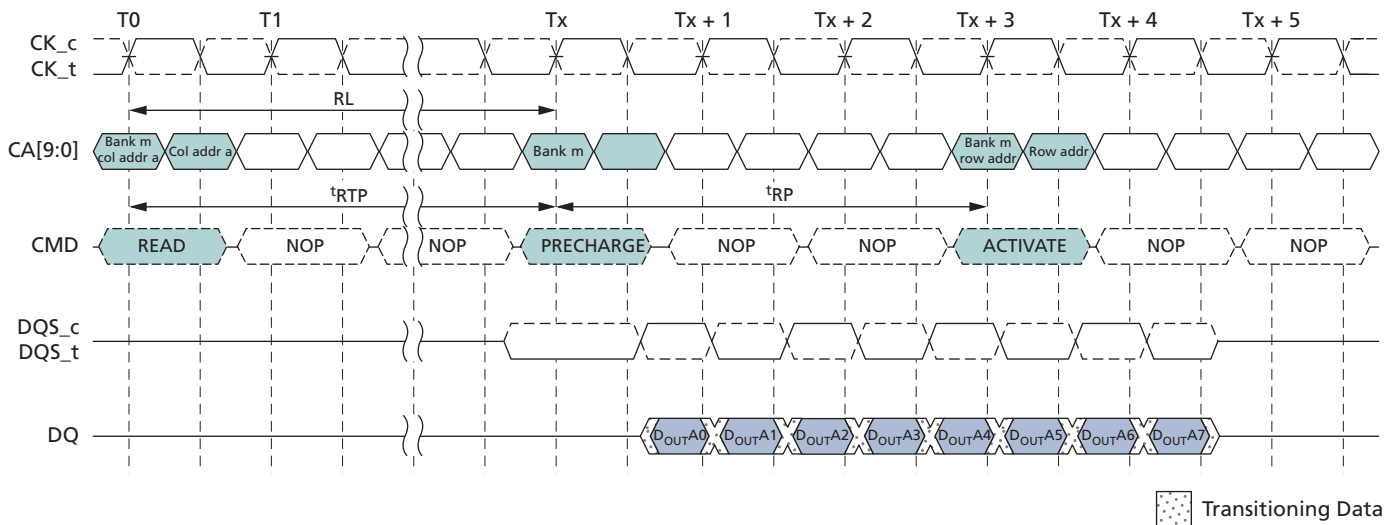


### Burst READ Operation Followed by PRECHARGE

For the earliest possible precharge, the PRECHARGE command can be issued  $BL/2$  clock cycles after a READ command. A new bank ACTIVATE command can be issued to the same bank after the row precharge time ( $t_{RP}$ ) has elapsed. A PRECHARGE command cannot be issued until after  $t_{RAS}$  is satisfied.

For LPDDR3 devices, the minimum READ-to-PRECHARGE time ( $t_{RTP}$ ) must also satisfy a minimum analog time from the rising clock edge that initiates the last 8-bit prefetch of a READ command.  $t_{RTP}$  begins  $BL/2 - 4$  clock cycles after the READ command. For LPDDR3 READ-to-PRECHARGE timings, see the PRECHARGE and Auto Precharge Clarification table.

Figure 33: Burst READ Followed by PRECHARGE –  $BL = 8, RU(t_{RTP}(MIN)/t_{CK}) = 2$



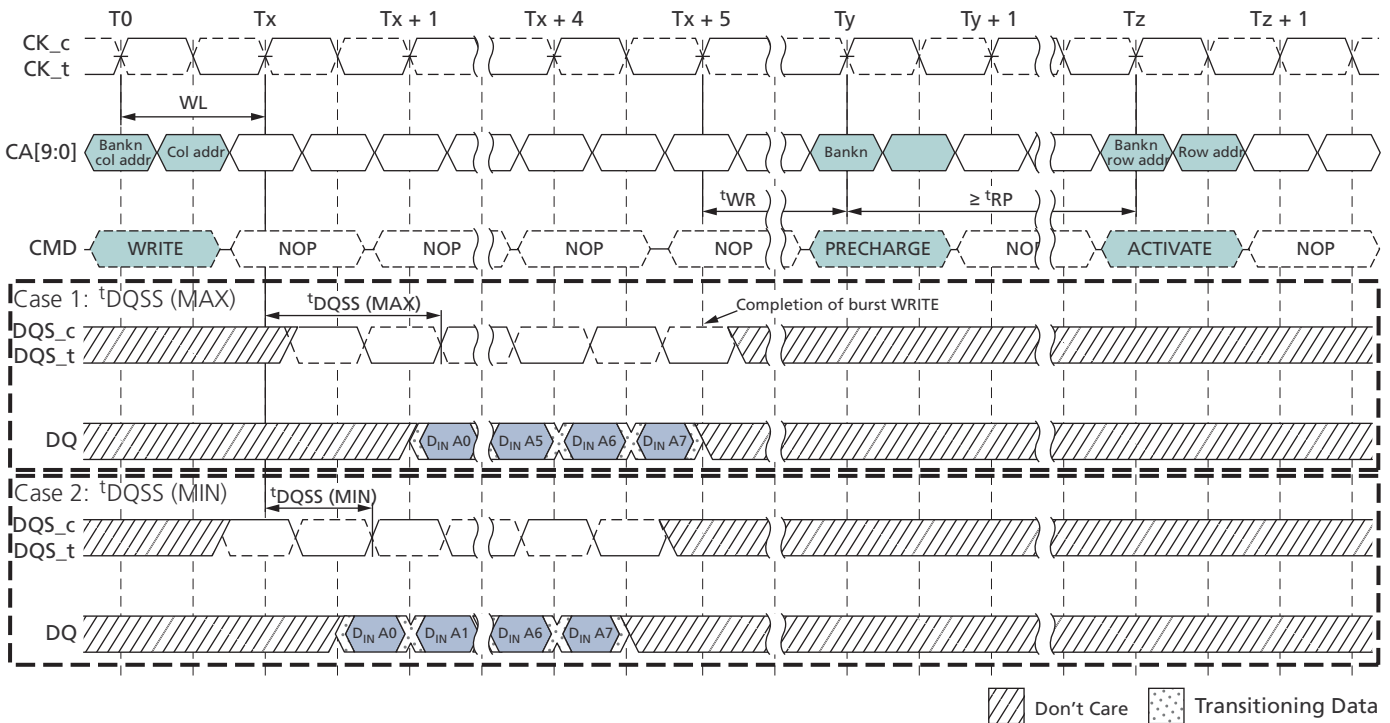
### Burst WRITE Followed by PRECHARGE

For WRITE cycles, a WRITE recovery time ( $t_{WR}$ ) must be provided before a PRECHARGE command can be issued. This delay is referenced from the last valid burst input data to the completion of the burst WRITE. The PRECHARGE command must not be issued prior to the  $t_{WR}$  delay. For LPDDR3 WRITE-to-PRECHARGE timings, see the PRECHARGE and Auto Precharge Clarification table.

LPDDR3 devices write data to the array in prefetch multiples (prefetch = 8). An internal WRITE operation can begin only after a prefetch group has been completely latched, so  $t_{WR}$  starts at prefetch boundaries.

The minimum WRITE-to-PRECHARGE time for commands to the same bank is  $WL + BL/2 + 1 + RU(t_{WR}/t_{CK})$  clock cycles.

**Figure 34: Burst WRITE Followed by PRECHARGE – BL = 8**



## Auto Precharge

Before a new row can be opened in an active bank, the active bank must be precharged using either the PRECHARGE command or the auto precharge function. When a READ or WRITE command is issued to the device, the AP bit (CA0f) can be set to enable the active bank to automatically begin precharge at the earliest possible moment during the burst READ or WRITE cycle.

If AP is LOW when the READ or WRITE command is issued, a normal READ or WRITE burst operation is executed and the bank remains active at the completion of the burst.

If AP is HIGH when the READ or WRITE command is issued, the auto precharge function is engaged. This feature enables the PRECHARGE operation to be partially or completely hidden during burst READ cycles (dependent upon READ or WRITE latency), thus improving system performance for random data access.

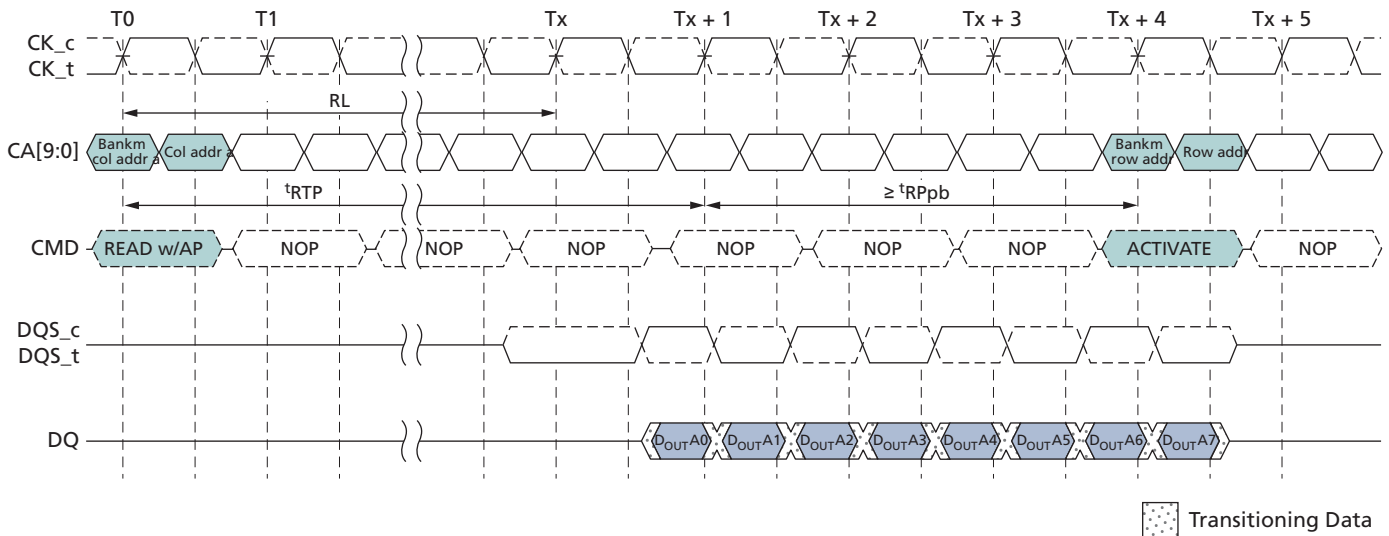
## Burst READ with Auto Precharge

If AP (CA0f) is HIGH when a READ command is issued, the READ with auto precharge function is engaged. The device starts an auto precharge on the rising edge of the clock, BL/2 or BL/2 - 4 + RU ( $t_{RTP}/t_{CK}$ ) clock cycles later than the READ with auto precharge command, whichever is greater. For LPDDR3 auto precharge calculations, see the PRECHARGE and Auto Precharge Clarification table.

Following an auto precharge operation, an ACTIVATE command can be issued to the same bank if the following two conditions are satisfied simultaneously:

- The RAS precharge time ( $t_{RP}$ ) has been satisfied from the clock at which the auto precharge begins.
- The RAS cycle time ( $t_{RC}$ ) from the previous bank activation has been satisfied.

**Figure 35: LPDDR3 – Burst READ with Auto Precharge**



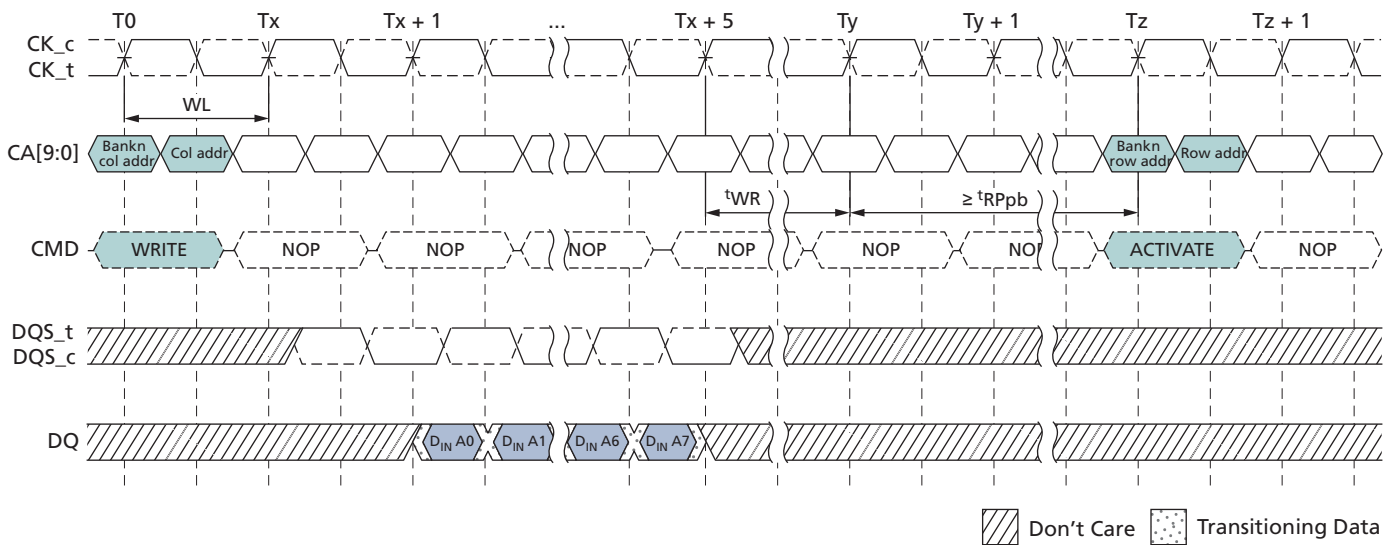
## Burst WRITE with Auto Precharge

If AP (CA0f) is HIGH when a WRITE command is issued, the WRITE with auto precharge function is engaged. The device starts an auto precharge at the clock rising edge  $t_{WR}$  cycles after the completion of the burst WRITE.

Following a WRITE with auto precharge, an ACTIVATE command can be issued to the same bank if the following two conditions are met:

- The RAS precharge time ( $t_{RP}$ ) has been satisfied from the clock at which the auto precharge begins.
- The RAS cycle time ( $t_{RC}$ ) from the previous bank activation has been satisfied.

**Figure 36: Burst WRITE with Auto Precharge – BL = 8**



**Table 46: PRECHARGE and Auto Precharge Clarification**

From Command	To Command	Minimum Delay Between Commands	Unit	Notes
READ	PRECHARGE to same bank as READ	$BL/2 + \text{MAX}(4, RU(t_{RTP}/t_{CK})) - 4$	CLK	1
	PRECHARGE ALL	$BL/2 + \text{MAX}(4, RU(t_{RTP}/t_{CK})) - 4$		1
READ w/AP	PRECHARGE to same bank as READ w/AP	$BL/2 + \text{MAX}(4, RU(t_{RTP}/t_{CK})) - 4$	CLK	1, 2
	PRECHARGE ALL	$BL/2 + \text{MAX}(4, RU(t_{RTP}/t_{CK})) - 4$		1
	ACTIVATE to same bank as READ w/AP	$BL/2 + \text{MAX}(4, RU(t_{RTP}/t_{CK})) - 4 + RU(t_{RPpb}/t_{CK})$		1
	WRITE or WRITE w/AP (same bank)	Illegal		3
	WRITE or WRITE w/AP (different bank)	$RL + BL/2 + RU(t_{DQSCKmax}/t_{CK}) - WL + 1$		3
	READ or READ w/AP (same bank)	Illegal		3
	READ or READ w/AP (different bank)	$BL/2$		3
WRITE	PRECHARGE to same bank as WRITE	$WL + BL/2 + RU(t_{WR}/t_{CK}) + 1$	CLK	1
	PRECHARGE ALL	$WL + BL/2 + RU(t_{WR}/t_{CK}) + 1$		1
WRITE w/AP	PRECHARGE to same bank as WRITE w/AP	$WL + BL/2 + RU(t_{WR}/t_{CK}) + 1$	CLK	1
	PRECHARGE ALL	$WL + BL/2 + RU(t_{WR}/t_{CK}) + 1$		1
	ACTIVATE to same bank as WRITE w/AP	$WL + BL/2 + RU(t_{WR}/t_{CK}) + 1 + RU(t_{RPpb}/t_{CK})$		1
	WRITE or WRITE w/AP (same bank)	Illegal		3
	WRITE or WRITE w/AP (different bank)	$BL/2$		3
	READ or READ w/AP (same bank)	Illegal		3
	READ or READ w/AP (different bank)	$WL + BL/2 + RU(t_{WTR}/t_{CK}) + 1$		3
PRECHARGE	PRECHARGE to same bank as PRECHARGE	1	CLK	1
	PRECHARGE ALL	1		1
PRECHARGE ALL	PRECHARGE	1	CLK	1
	PRECHARGE ALL	1		1

- Notes:
1. For a given bank, the PRECHARGE period should be counted from the latest PRECHARGE command, which will be either a one-bank PRECHARGE command or a PRECHARGE ALL command, issued to that bank. The PRECHARGE period is satisfied after  $t_{RP}$ , depending on the latest PRECHARGE command issued to that bank.
  2. Any command issued during the specified minimum delay time is illegal.
  3. After a READ with auto precharge command, seamless READ operations to different banks are supported. After a WRITE with auto precharge command, seamless WRITE operations to different banks are supported. READ with auto precharge and WRITE with auto precharge commands must not be interrupted or truncated.

## REFRESH Command

The REFRESH command is initiated with CS<sub>n</sub> LOW, CA0 LOW, CA1 LOW, and CA2 HIGH at the rising edge of the clock. Per-bank REFRESH is initiated with CA3 LOW at the rising edge of the clock. All-bank REFRESH is initiated with CA3 HIGH at the rising edge of the clock.

A per-bank REFRESH command (REFpb) performs a per-bank REFRESH operation to the bank scheduled by the bank counter in the memory device. The bank sequence for per-bank REFRESH is fixed to be a sequential round-robin: 0-1-2-3-4-5-6-7-0-1-.... The bank count is synchronized between the controller and the SDRAM by resetting the bank count to zero. Synchronization can occur upon issuing a RESET command or at every exit from self refresh.

A bank must be idle before it can be refreshed. The controller must track the bank being refreshed by the per-bank REFRESH command.

The REFpb command must not be issued to the device until the following conditions have been met (see the REFRESH Command Scheduling Separation Requirements table):

- $t_{RFCab}$  has been satisfied after the prior REFab command
- $t_{RFCpb}$  has been satisfied after the prior REFpb command
- $t_{RP}$  has been satisfied after the prior PRECHARGE command to that bank
- $t_{RRD}$  has been satisfied after the prior ACTIVATE command (if applicable, for example after activating a row in a different bank than the one affected by the REFpb command)

The target bank is inaccessible during per-bank REFRESH cycle time ( $t_{RFCpb}$ ); however, other banks within the device are accessible and can be addressed during the cycle. During the REFpb operation, any of the banks other than the one being refreshed can be maintained in an active state or accessed by a READ or WRITE command. When the per-bank REFRESH cycle has completed, the affected bank will be in the idle state.

After issuing REFpb, the following conditions must be met (see the REFRESH Command Scheduling Separation Requirements table):

- $t_{RFCpb}$  must be satisfied before issuing a REFab command
- $t_{RFCpb}$  must be satisfied before issuing an ACTIVATE command to the same bank
- $t_{RRD}$  must be satisfied before issuing an ACTIVATE command to a different bank
- $t_{RFCpb}$  must be satisfied before issuing another REFpb command

An all-bank REFRESH command (REFab) issues a REFRESH command to all banks. All banks must be idle when REFab is issued (for instance, by issuing a PRECHARGE ALL command prior to issuing an all-bank REFRESH command). REFab also synchronizes the bank count between the controller and the SDRAM to zero. The REFab command must not be issued to the device until the following conditions have been met (see the REFRESH Command Scheduling Separation Requirements table):

- $t_{RFCab}$  has been satisfied following the prior REFab command
- $t_{RFCpb}$  has been satisfied following the prior REFpb command
- $t_{RP}$  has been satisfied following the prior PRECHARGE commands

When an all-bank REFRESH cycle has completed, all banks will be idle. After issuing REFab:

- $t_{RFCab}$  latency must be satisfied before issuing an ACTIVATE command
- $t_{RFCab}$  latency must be satisfied before issuing a REFab or REFpb command

**Table 47: REFRESH Command Scheduling Separation Requirements**

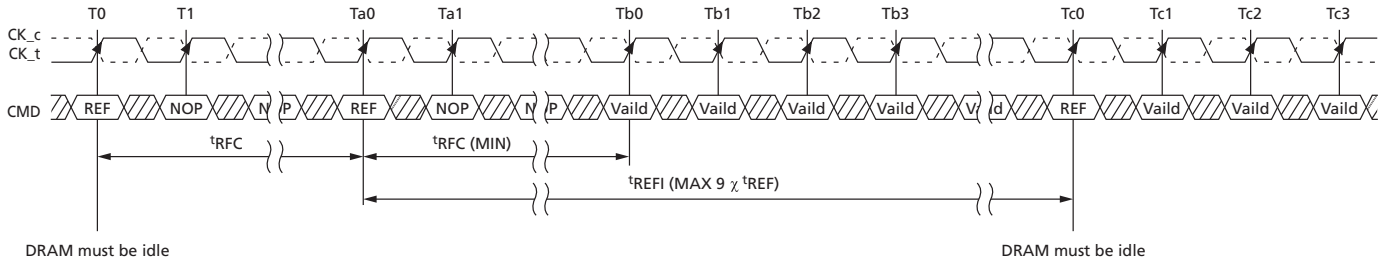
Symbol	Minimum Delay From	To	Notes
$t_{RFCab}$	REFab	REFab	
		ACTIVATE command to any bank	
		REFpb	
$t_{RFCpb}$	REFpb	REFab	
		ACTIVATE command to same bank as REFpb	
		REFpb	
$t_{RRD}$	REFpb	ACTIVATE command to a different bank than REFpb	
	ACTIVATE	REFpb	1
		ACTIVATE command to a different bank than the prior ACTIVATE command	

Note: 1. A bank must be in the idle state before it is refreshed, so following an ACTIVATE command REFab is prohibited. REFpb is supported only if it affects a bank that is in the idle state.

In general, an all bank REFRESH command needs to be issued to the device regularly every  $t_{REFI}$  interval. To allow for improved efficiency in scheduling and switching between tasks, some flexibility in the absolute refresh interval is provided for postponing and pulling in the refresh command. A maximum of eight REFRESH commands can be postponed during operation of the device, but at no point in time are more than a total of eight REFRESH commands allowed to be postponed. In the case where eight REFRESH commands are postponed in a row, the resulting maximum interval between the surrounding REFRESH commands is limited to  $9 \times t_{REFI}$ . A maximum of eight additional REFRESH commands can be issued in advance (pulled in), with each one reducing the number of regular REFRESH commands required later by one. Note that pulling in more than eight REFRESH commands in advance does not reduce the number of regular REFRESH commands required later; therefore, the resulting maximum interval between two surrounding REFRESH commands is limited to  $9 \times t_{REFI}$ . At any given time, a maximum of 16 REFRESH commands can be issued within  $2 \times t_{REFI}$ .

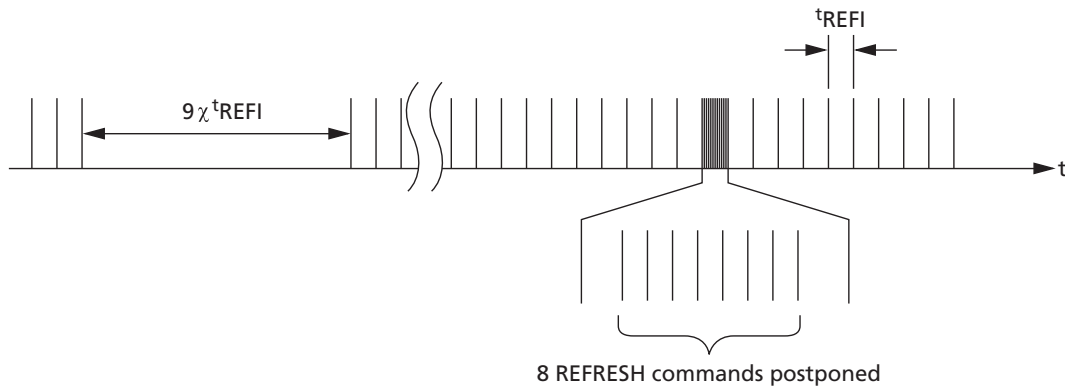
For per bank refresh, a maximum of  $8 \times 8$  per bank REFRESH commands can be postponed or pulled in for scheduling efficiency. At any given time, a maximum of  $2 \times 8 \times 8$  per bank REFRESH commands may be issued within  $2 \times t_{REFI}$ .

**Figure 37: REFRESH Command Timing**

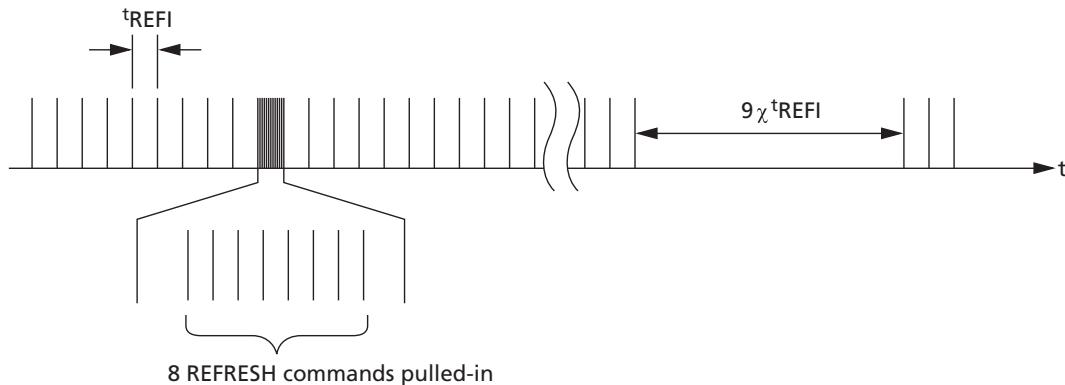


- Notes:
1. Only NOP commands are allowed after the REFRESH command is registered until  $t_{RFC}$  (MIN) expires.
  2. The time interval between two REFRESH commands may be extended to a maximum of  $9 \times t_{REFI}$ .

**Figure 38: Postponing REFRESH Commands**



**Figure 39: Pulling In REFRESH Commands**





## REFRESH Requirements

### Minimum REFRESH Commands

LPDDR3 requires a minimum number, R, of REFRESH (REFab) commands within any rolling refresh window ( $t_{REFW} = 32\text{ms}$  @  $MR4[2:0] = 011$  or  $T_C \leq 85^\circ\text{C}$ ). For actual values per density and the resulting average refresh interval ( $t_{REFI}$ ), see the Refresh Requirement Parameters (Per Density) table.

For  $t_{REFW}$  and  $t_{REFI}$  refresh multipliers at different MR4 settings, see the MR4 Device Temperature ( $MA[7:0] = 04h$ ) and the MR4 Op-Code Bit Definitions tables.

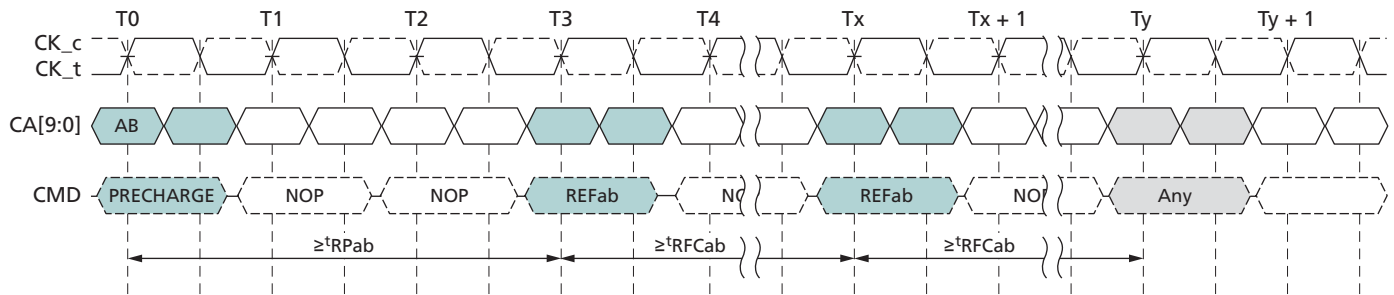
When using per-bank REFRESH, a REFab command can be replaced by a full cycle of eight REFpb commands.

### REFRESH Requirements and Self Refresh

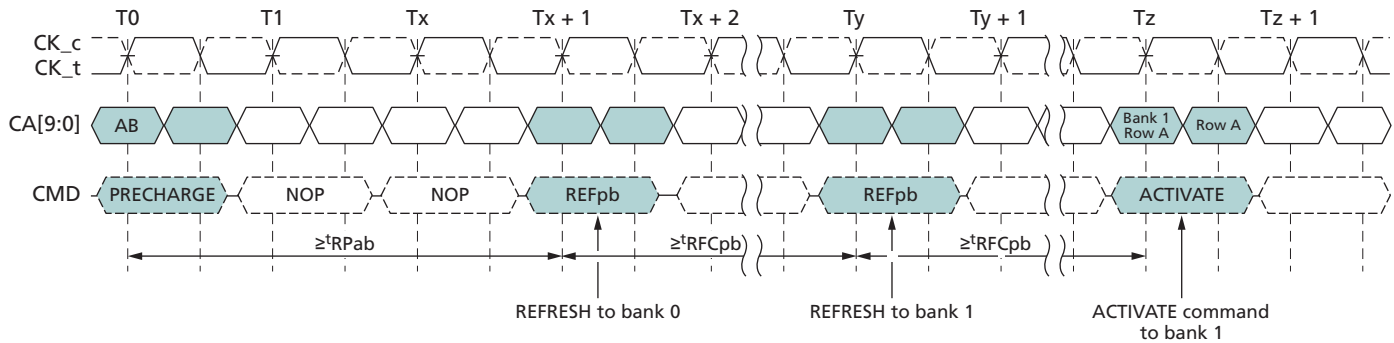
Self refresh mode may be entered with a maximum of eight REFRESH commands being postponed. After exiting self refresh mode with one or more REFRESH commands postponed, additional REFRESH commands may be postponed, but the total number of postponed refresh commands (before and after the self refresh) must never exceed eight. During self refresh mode, the number of postponed or pulled-in REFRESH commands does not change.

An internally timed refresh event can be missed when CKE is raised for exit from self refresh mode. After exiting self refresh, the device requires a minimum of one extra REFRESH command before it is put back into self refresh mode.

**Figure 40: All-Bank REFRESH Operation**



**Figure 41: Per-Bank REFRESH Operation**



- Notes:
1. In the beginning of this example, the REFpb bank counter points to bank 0.
  2. Operations to banks other than the bank being refreshed are supported during the  $t_{RFCpb}$  period.

## SELF REFRESH Operation

The SELF REFRESH command can be used to retain data in the array, even if the rest of the system is powered-down. When in the self refresh mode, the device retains data without external clocking. The device has a built-in timer to accommodate SELF REFRESH operation. The SELF REFRESH command is executed by taking CKE LOW, CS<sub>n</sub> LOW, CA0 LOW, CA1 LOW, and CA2 HIGH at the rising edge of the clock. CKE must be HIGH during the clock cycle preceding a SELF REFRESH command. CKE must not go LOW while MRR, MRW, READ, or WRITE operations are in progress.

To ensure that there is enough time to account for internal delay on the CKE signal path, two NOP commands are required after CKE is driven LOW; this timing period is defined as  $t_{CPDED}$ . CKE LOW will result in deactivation of input receivers after  $t_{CPDED}$  has expired. After the power-down command is registered, CKE must be held LOW to keep the device in self refresh mode.

Mobile LPDDR3 devices can operate in self refresh mode in both the standard and extended temperature ranges. These devices also manage self refresh power consumption when the operating temperature changes, resulting in the lowest possible power consumption across the operating temperature range. See the I<sub>DD</sub> Specification Parameters and Operating Conditions table for details.

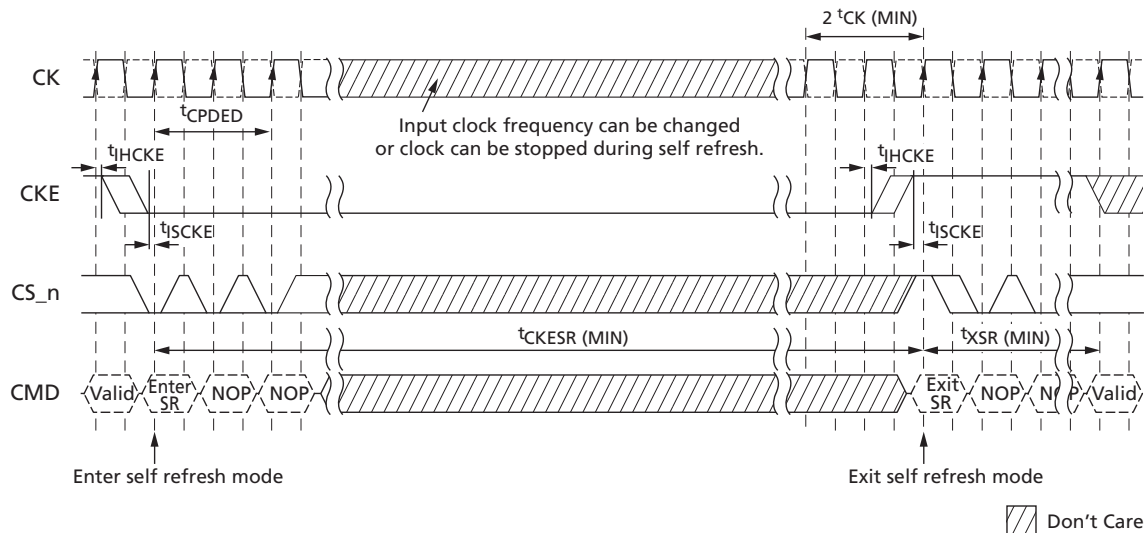
After the device has entered self refresh mode, all external signals other than CKE are “Don’t Care.” For proper SELF REFRESH operation, power supply pins ( $V_{DD1}$ ,  $V_{DD2}$ ,  $V_{DDQ}$ , and  $V_{DDCA}$ ) must be at valid levels.  $V_{DDQ}$  can be turned off during self refresh. If  $V_{DDQ}$  is turned off,  $V_{REFDQ}$  must also be turned off. Prior to exiting self refresh, both  $V_{DDQ}$  and  $V_{REFDQ}$  must be within their respective minimum/maximum operating ranges (see AC and DC Operating Conditions).  $V_{REFDQ}$  can be at any level between 0 and  $V_{DDQ}$ ;  $V_{REFCA}$  can be at any level between 0 and  $V_{DDCA}$  during self refresh.

Before exiting self refresh,  $V_{REFDQ}$  and  $V_{REFCA}$  must be within specified limits (see the AC and DC Logic Input Measurement Levels for Single-Ended Signals section). After entering self refresh mode, the device initiates at least one all-bank REFRESH command internally during  $t_{CKESR}$ . The clock is internally disabled during SELF REFRESH operation to save power. The device must remain in self refresh mode for at least  $t_{CKESR}$ . The user can change the external clock frequency or halt the external clock one clock after self refresh entry is registered; however, the clock must be restarted and stable before the device can exit SELF REFRESH operation.

Exiting self refresh requires a series of commands. First, the clock must be stable prior to CKE returning HIGH. After the self refresh exit is registered, a minimum delay, at least equal to the self refresh exit interval ( $t_{XSR}$ ), must be satisfied before a valid command can be issued to the device. This provides completion time for any internal refresh in progress. For proper operation, CKE must remain HIGH throughout  $t_{XSR}$ . NOP commands must be registered on each rising clock edge during  $t_{XSR}$ . For the description of ODT operation and specifications during self-refresh entry and exit, see “On Die Termination” section.

Using self refresh mode introduces the possibility that an internally timed refresh event could be missed when CKE is driven HIGH for exit from self refresh mode. Upon exiting self refresh, at least one REFRESH command (one all-bank command or eight per-bank commands) must be issued before issuing a subsequent SELF REFRESH command.

**Figure 42: SELF REFRESH Operation**



- Notes:
1. Input clock frequency can be changed or stopped during self refresh, provided that upon exiting self-refresh, a minimum of two cycles of stable clocks are provided, and the clock frequency is between the minimum and maximum frequencies for the particular speed grade.
  2. The device must be in the all-banks-idle state prior to entering self refresh mode.
  3.  $t_{XSR}$  begins at the rising edge of the clock after CKE is driven HIGH.
  4. A valid command can be issued only after  $t_{XSR}$  is satisfied. NOPs must be issued during  $t_{XSR}$ .

## Partial-Array Self Refresh (PASR) – Bank Masking

LPDDR3 SDRAMs comprise eight banks. Each bank can be configured independently whether or not a SELF REFRESH operation will occur in that bank. One 8-bit mode register (accessible via the MRW command) is assigned to program the bank-masking status of each bank up to eight banks. For bank-masking bit assignments, see the MR16 PASR Bank Mask (MA[7:0] = 010h) and MR16 Op-Code Bit Definitions tables.

The mask bit to the bank enables or disables a refresh operation of the entire memory space within the bank. If a bank is masked using the bank-mask register, a REFRESH operation to the entire bank is blocked, and bank data retention is not guaranteed in self refresh mode. To enable a REFRESH operation to a bank, the corresponding bank mask bit must be programmed as “unmasked.” When a bank mask bit is unmasked, the array space being refreshed within that bank is determined by the programmed status of the segment mask bits.

## Partial-Array Self Refresh – Segment Masking

Programming segment-mask bits is similar to programming bank-mask bits. Eight segments are used for masking (see the MR17 PASR Segment Mask (MA[7:0] = 011h) and MR17 PASR Segment Mask Definitions tables). A mode register is used for programming segment-mask bits up to eight bits.

When the mask bit to an address range (represented as a segment) is programmed as “masked,” a REFRESH operation to that segment is blocked. Conversely, when a segment mask bit to an address range is unmasked, refresh to that segment is enabled.

A segment-masking scheme can be used in place of or in combination with a bank-masking scheme. Each segment mask bit setting is applied across all banks. For segment-masking bit assignments, see the MR17 PASR Segment Mask (MA[7:0] = 011h) and MR17 PASR Segment Mask Definitions tables.

**Table 48: Bank- and Segment-Masking Example**

	Segment Mask (MR17)	Bank 0	Bank 1	Bank 2	Bank 3	Bank 4	Bank 5	Bank 6	Bank 7
<b>Bank Mask (MR16)</b>		<b>0</b>	<b>1</b>	<b>0</b>	<b>0</b>	<b>0</b>	<b>0</b>	<b>0</b>	<b>1</b>
Segment 0	0	–	M	–	–	–	–	–	M
Segment 1	0	–	M	–	–	–	–	–	M
Segment 2	1	M	M	M	M	M	M	M	M
Segment 3	0	–	M	–	–	–	–	–	M
Segment 4	0	–	M	–	–	–	–	–	M
Segment 5	0	–	M	–	–	–	–	–	M
Segment 6	0	–	M	–	–	–	–	–	M
Segment 7	1	M	M	M	M	M	M	M	M

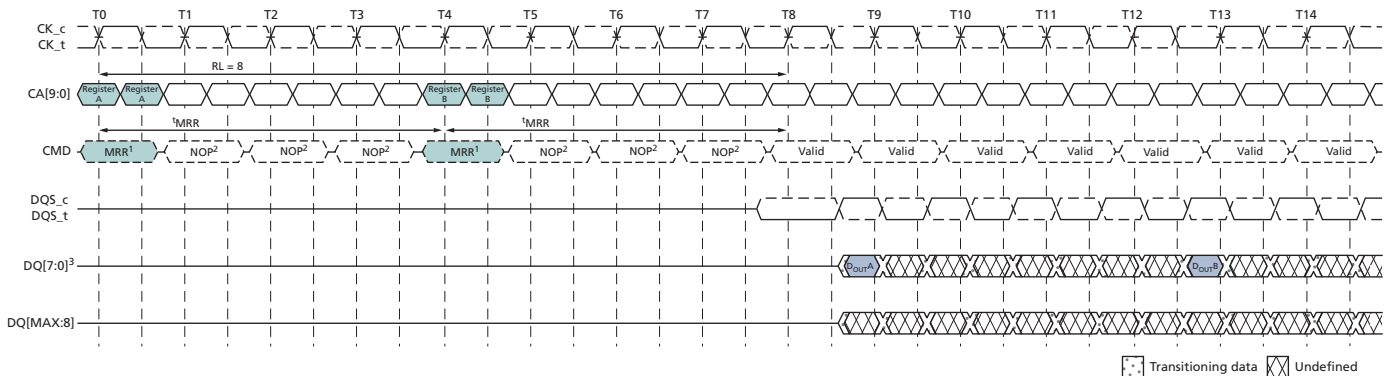
Note: 1. This table provides values for an eight-bank device with REFRESH operations masked to banks 1 and 7 and to segments 2 and 7.

## MODE REGISTER READ

The MODE REGISTER READ (MRR) command is used to read configuration and status data from SDRAM mode registers. The MRR command is initiated with CS<sub>n</sub> LOW, CA0 LOW, CA1 LOW, CA2 LOW, and CA3 HIGH at the rising edge of the clock. The mode register is selected by CA1f–CA0f and CA9r–CA4r. The mode register contents are available on the first data beat of DQ[7:0] after  $RL \times t_{CK} + t_{DQSCk} + t_{DQSQ}$  and following the rising edge of the clock where MRR is issued. Subsequent data beats contain valid but undefined content, except in the case of the DQ calibration function, where subsequent data beats contain valid content as described in the Data Calibration Pattern Description table. All DQS are toggled for the duration of the mode register READ burst.

The MRR command has a burst length of eight. MRR operation (consisting of the MRR command and the corresponding data traffic) must not be interrupted. The MRR command period is  $t_{MRR}$ .

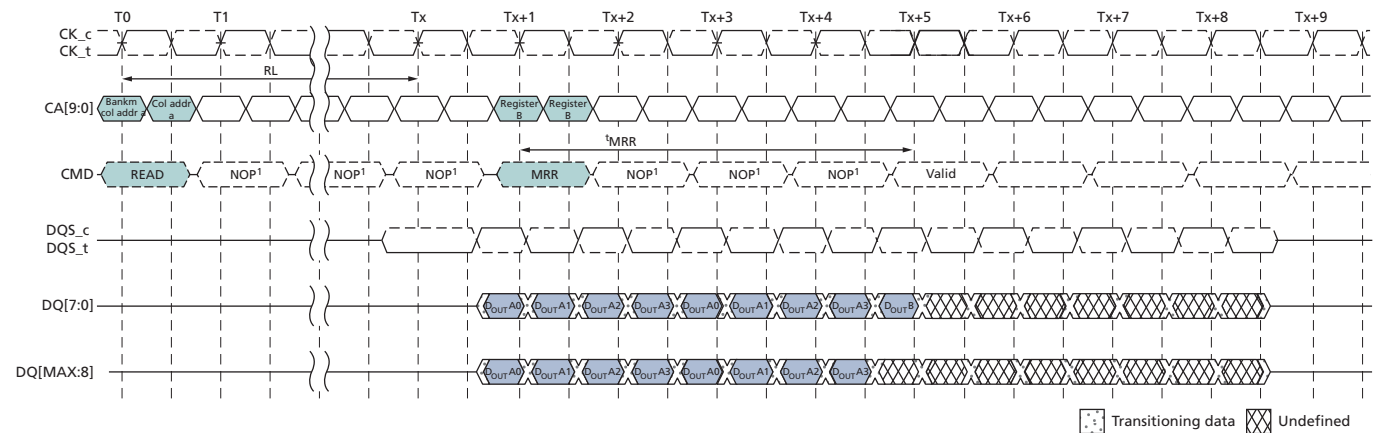
Figure 43: MRR Timing



- Notes:
1. MRRs to DQ calibration registers MR32 and MR40 are described in the DQ Calibration section.
  2. Only the NOP command is supported during  $t_{MRR}$ .
  3. Mode register data is valid only on DQ[7:0] on the first beat. Subsequent beats contain valid but undefined data. DQ[MAX:8] contain valid but undefined data for the duration of the MRR burst.
  4. Minimum MRR to write latency is  $RL + RU(t_{DQSCk} (MAX)/t_{CK}) + 8/2 + 1 - WL$  clock cycles.
  5. Minimum MRR to MRW latency is  $RL + RU(t_{DQSCk} (MAX)/t_{CK}) + 8/2 + 1$  clock cycles.
  6. In this example,  $RL = 8$  for illustration purposes only.

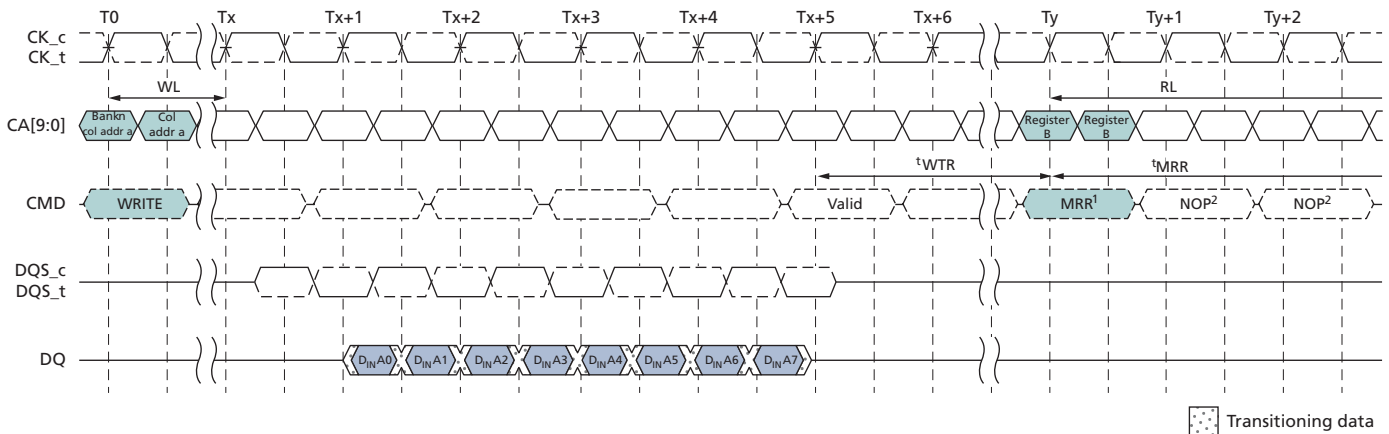
After a prior READ command, the MRR command must not be issued before  $BL/2$  clock cycles have completed. Following a WRITE command, the MRR command must not be issued before  $WL + 1 + BL/2 + RU(t_{WTR}/t_{CK})$  clock cycles have completed, as READ bursts and WRITE bursts must not be truncated by MRR.

**Figure 44: READ to MRR Timing**



- Notes:
1. The minimum number of clock cycles from the burst READ command to the MRR command is  $BL/2$ .
  2. Only the NOP command is supported during  $t^MRR$ .

**Figure 45: Burst WRITE Followed by MRR**

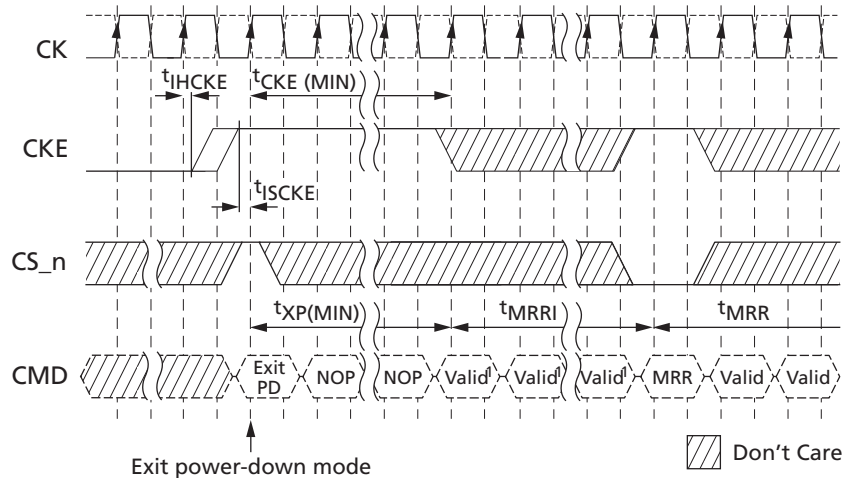


- Notes:
1. The minimum number of clock cycles from the burst WRITE command to the MRR command is  $[WL + 1 + BL/2 + RU(t^WTR/t^CK)]$ .
  2. Only the NOP command is supported during  $t^MRR$ .

## MRR Following Idle Power-Down State

Following the idle power-down state, an additional time,  $t^MRR1$ , is required prior to issuing the MODE REGISTER READ (MRR) command. This additional time (equivalent to  $t^RCD$ ) is required in order to maximize power-down current savings by allowing more power-up time for the MRR data path after exit from the idle power-down state.

Figure 46: MRR After Idle Power-Down Exit



Note: 1. Any valid command except MRR.

## Temperature Sensor

LPDDR3 devices feature a temperature sensor whose status can be read from MR4. This sensor can be used to determine an appropriate refresh rate, determine whether AC timing derating is required in the extended temperature range, and/or monitor the operating temperature. Either the temperature sensor or the device operating temperature can be used to determine whether operating temperature requirements are being met (see the Operating Temperature Range table).

Temperature sensor data can be read from MR4 using the mode register read protocol. Upon exiting self-refresh or power-down, the device temperature status bits will be no older than  $t_{TSI}$ .

When using the temperature sensor, the actual device case temperature may be higher than the operating temperature specification that applies for the standard or extended temperature ranges (see the Operating Temperature Range table). For example,  $T_{CASE}$  could be above 85°C when MR4[2:0] equals 011b.

To ensure proper operation using the temperature sensor, applications must accommodate the following table.

Table 49: Temperature Sensor Definitions and Operating Conditions

Parameter	Description	Symbol	Min/Max	Value	Unit
System temperature gradient	Maximum temperature gradient experienced by the memory device at the temperature of interest over a range of 2°C	TempGradient	MAX	System-dependent	°C/s
MR4 READ interval	Time period between MR4 READs from the system	ReadInterval	MAX	System-dependent	ms
Temperature sensor interval	Maximum delay between internal updates of MR4	$t_{TSI}$	MAX	32	ms
System response delay	Maximum response time from an MR4 READ to the system response	SysRespDelay	MAX	System-dependent	ms



**Table 49: Temperature Sensor Definitions and Operating Conditions (Continued)**

Parameter	Description	Symbol	Min/Max	Value	Unit
Device temperature margin	Margin above maximum temperature to support controller response	TempMargin	MAX	2	°C

These devices accommodate the temperature margin between the point at which the device temperature enters the extended temperature range and the point at which the controller reconfigures the system accordingly. To determine the required MR4 polling frequency, the system must use the maximum TempGradient and the maximum response time of the system according to the following equation:

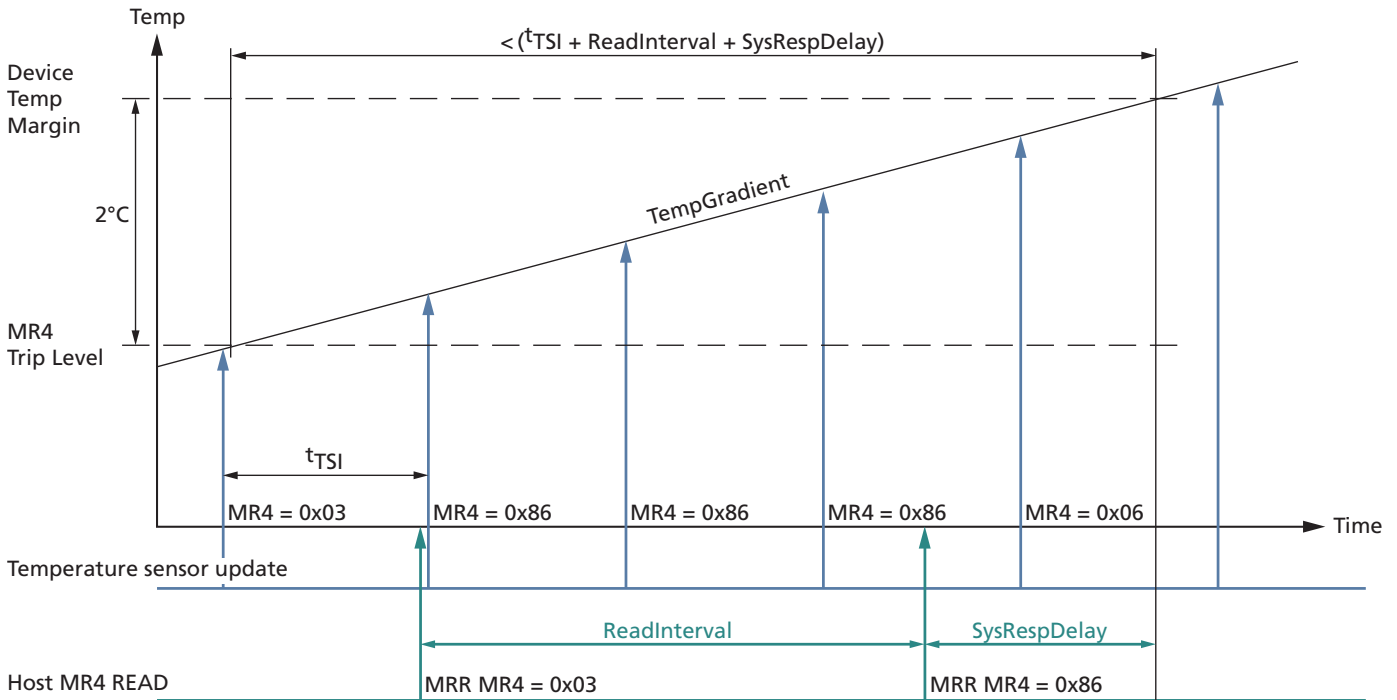
$$\text{TempGradient} \times (\text{ReadInterval} + t_{\text{TSI}} + \text{SysRespDelay}) \leq 2^{\circ}\text{C}$$

For example, if TempGradient is 10°C/s, and the SysRespDelay is 1ms:

$$\frac{10^{\circ}\text{C}}{\text{s}} \times (\text{ReadInterval} + 32\text{ms} + 1\text{ms}) \leq 2^{\circ}\text{C}$$

In this case, ReadInterval must not exceed 167ms.

**Figure 47: Temperature Sensor Timing**



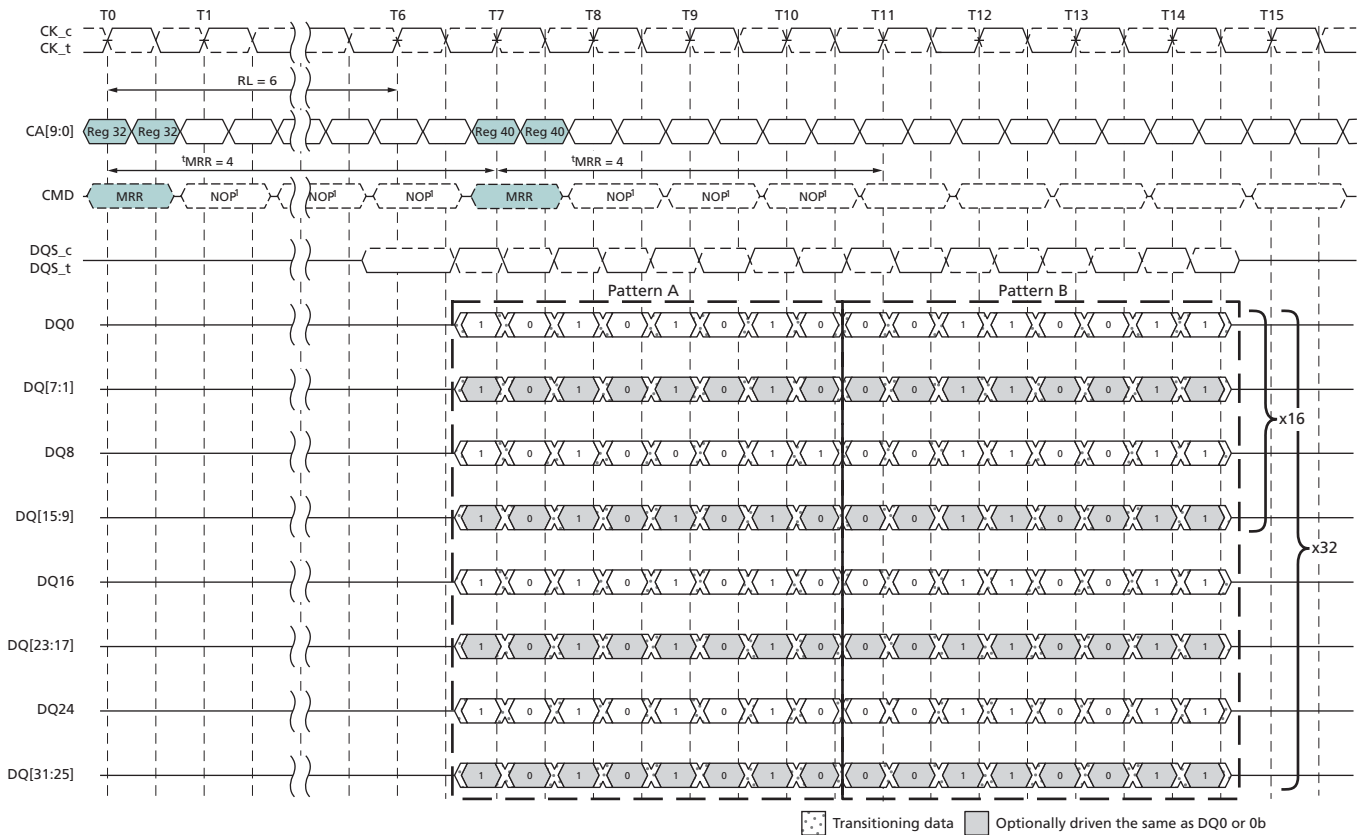
## DQ Calibration

LPDDR3 devices feature a DQ calibration function that outputs one of two predefined system timing calibration patterns. An MRR operation to MR32 (pattern A) or and MRR

operation to MR40 (pattern B) will return the specified pattern on DQ0 and DQ8—for x32 devices, on DQ0, DQ8, DQ16 and DQ24.

For x16 devices, DQ[7:1] and DQ[15:9] drive the same information as DQ0 during the MRR burst. For x32 devices, DQ[7:1], DQ[15:9], DQ[23:17], and DQ[31:25] drive the same information as DQ0 during the MRR burst. MRR DQ calibration commands can occur only in the idle state.

**Figure 48: MR32 and MR40 DQ Calibration Timing**



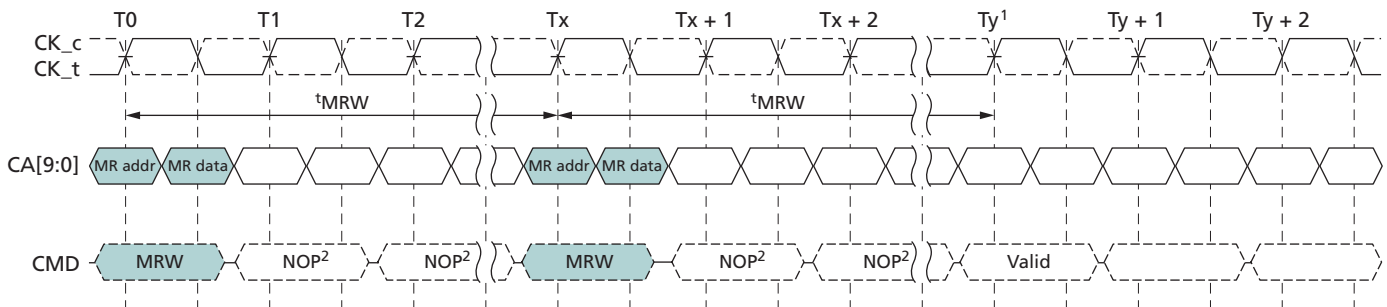
**Table 50: Data Calibration Pattern Description**

Pattern	MR#	Bit Time 0	Bit Time 1	Bit Time 2	Bit Time 3	Bit Time 4	Bit Time 5	Bit Time 6	Bit Time 7	
Pattern A	MR32	1	0	1	0	1	0	1	0	Reads to MR32 return DQ calibration pattern A
Pattern B	MR40	0	0	1	1	0	0	1	1	Reads to MR40 return DQ calibration pattern B

## MODE REGISTER WRITE

The MRW command is used to write configuration data to the mode registers. The MRW command is initiated with CS<sub>n</sub> LOW, CA0 LOW, CA1 LOW, CA2 LOW, and CA3 LOW at the rising edge of the clock. The mode register is selected by CA1f–CA0f, CA9r–CA4r. The data to be written to the mode register is contained in CA9f–CA2f. The MRW command period is defined by <sup>t</sup>MRW. Mode register writes to read-only registers have no impact on the functionality of the device.

Figure 49: MODE REGISTER WRITE Timing



- Notes:
1. At time  $T_y$ , the device is in the idle state.
  2. Only the NOP command is supported during <sup>t</sup>MRW.

MRW can be issued only when all banks are in the idle precharge state. One method of ensuring that the banks are in this state is to issue a PRECHARGE ALL command.

## MRW RESET Command

The MRW RESET command brings the device to the device auto initialization (resetting) state in the power-on initialization sequence (see the Voltage Ramp and Device Initialization section). The MRW RESET command can be issued from the idle state. This command resets all mode registers to their default values. After MRW RESET, boot timings must be observed until the device initialization sequence is complete, and the device is in the idle state. Array data is undefined after the MRW RESET command.

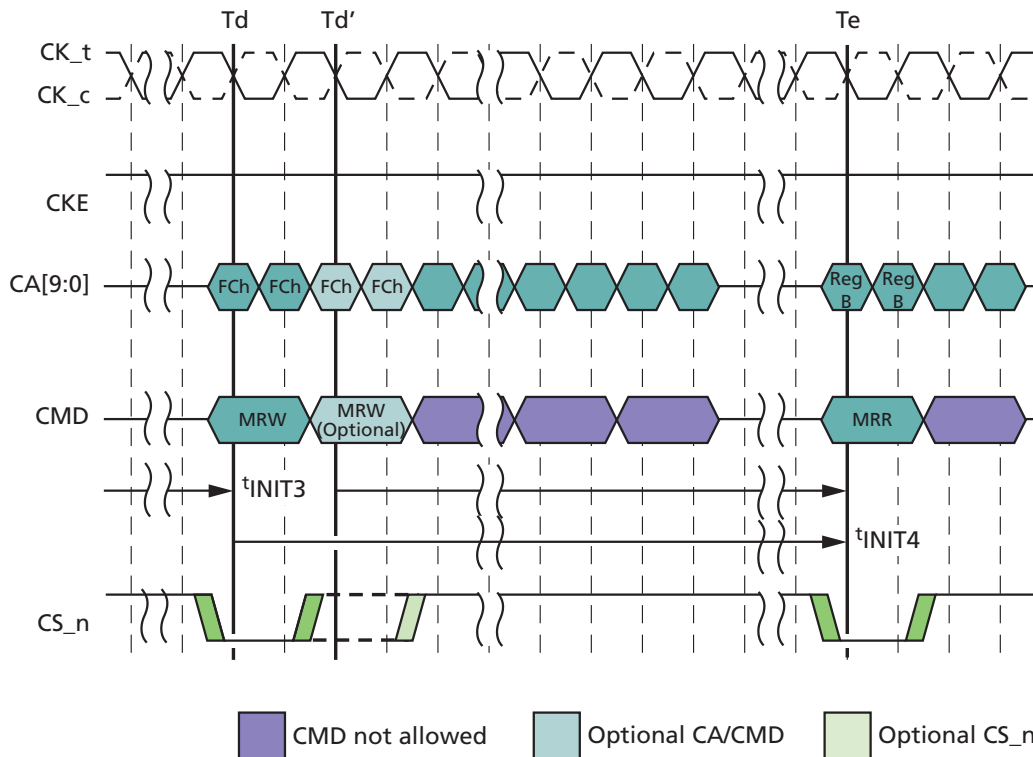
If the initialization is to be performed at-speed (greater than the recommended boot clock frequency), then CA training may be necessary to ensure setup and hold timings. As the MRW RESET command is required prior to CA Training, an alternate MRW RESET command with an op-code of 0xFCh should be used. This encoding ensures that no transitions occur on the CA bus. Prior to CA training, it is recommended to hold the CA bus stable for one cycle prior to, and one cycle after, the issuance of the MRW RESET command to ensure setup and hold timings on the CA bus.

For MRW RESET timing, see the figure below and see the Voltage Ramp and Initialization Sequence figure.

**Table 51: Truth Table for MRR and MRW**

Current State	Command	Intermediate State	Next State
All banks idle	MRR	Reading mode register, all banks idle	All banks idle
	MRW	Writing mode register, all banks idle	All banks idle
	MRW (RESET)	Resetting, device auto initialization	All banks idle
Bank(s) active	MRR	Reading mode register, bank(s) active	Bank(s) active
	MRW	Not allowed	Not allowed
	MRW (RESET)	Not allowed	Not allowed

**Figure 50: MODE REGISTER WRITE Timing for MRW RESET**



Note: 1. Optional MRW RESET command and optional CS<sub>n</sub> assertion are allowed. When the optional MRW RESET command is used, t<sub>INIT4</sub> starts at T<sub>d'</sub>.

### MRW ZQ Calibration Commands

The MRW command is used to initiate a ZQ calibration command that calibrates output driver impedance across process, temperature, and voltage. LPDDR3 devices support ZQ calibration.

There are four ZQ calibration commands and related timings: t<sub>ZQINIT</sub>, t<sub>ZQRESET</sub>, t<sub>ZQCL</sub>, and t<sub>ZQCS</sub>. t<sub>ZQINIT</sub> is used for initialization calibration; t<sub>ZQRESET</sub> is used for resetting ZQ to the default output impedance; t<sub>ZQCL</sub> is used for long calibration(s); and

$t^{\prime}$ ZQCS is used for short calibration(s). See the MR10 Calibration (MA[7:0] = 0Ah) table for ZQ calibration command code definitions.

The initialization ZQ calibration (ZQINIT) must be performed for LPDDR3. ZQINIT provides an output impedance accuracy of  $\pm 15\%$ . After initialization, the ZQ calibration long (ZQCL) can be used to recalibrate the system to an output impedance accuracy of  $\pm 15\%$ . A ZQ calibration short (ZQCS) can be used periodically to compensate for temperature and voltage drift in the system.

ZQRESET resets the output impedance calibration to a default accuracy of  $\pm 30\%$  across process, voltage, and temperature. This command is used to ensure output impedance accuracy to  $\pm 30\%$  when ZQCS and ZQCL commands are not used.

One ZQCS command can effectively correct at least 1.5% (ZQ correction) of output impedance errors within  $t^{\prime}$ ZQCS for all speed bins, assuming the maximum sensitivities specified in the Output Driver Sensitivity Definition and Output Driver Temperature and Voltage Sensitivity tables are met. The appropriate interval between ZQCS commands can be determined using these tables and system-specific parameters.

LPDDR3 devices are subject to temperature drift rate ( $T_{\text{driftrate}}$ ) and voltage drift rate ( $V_{\text{driftrate}}$ ) in various applications. To accommodate drift rates and calculate the necessary interval between ZQCS commands, apply the following formula:

$$\frac{ZQ_{\text{correction}}}{(T_{\text{sens}} \times T_{\text{driftrate}}) + (V_{\text{sens}} \times V_{\text{driftrate}})}$$

Where  $T_{\text{sens}} = \text{MAX}(dR_{\text{ON}}dT)$  and  $V_{\text{sens}} = \text{MAX}(dR_{\text{ON}}dV)$  define temperature and voltage sensitivities.

For example, if  $T_{\text{sens}} = 0.75\%/^{\circ}\text{C}$ ,  $V_{\text{sens}} = 0.20\%/mV$ ,  $T_{\text{driftrate}} = 1^{\circ}\text{C}/\text{sec}$ , and  $V_{\text{driftrate}} = 15 \text{ mV}/\text{sec}$ , then the interval between ZQCS commands is calculated as:

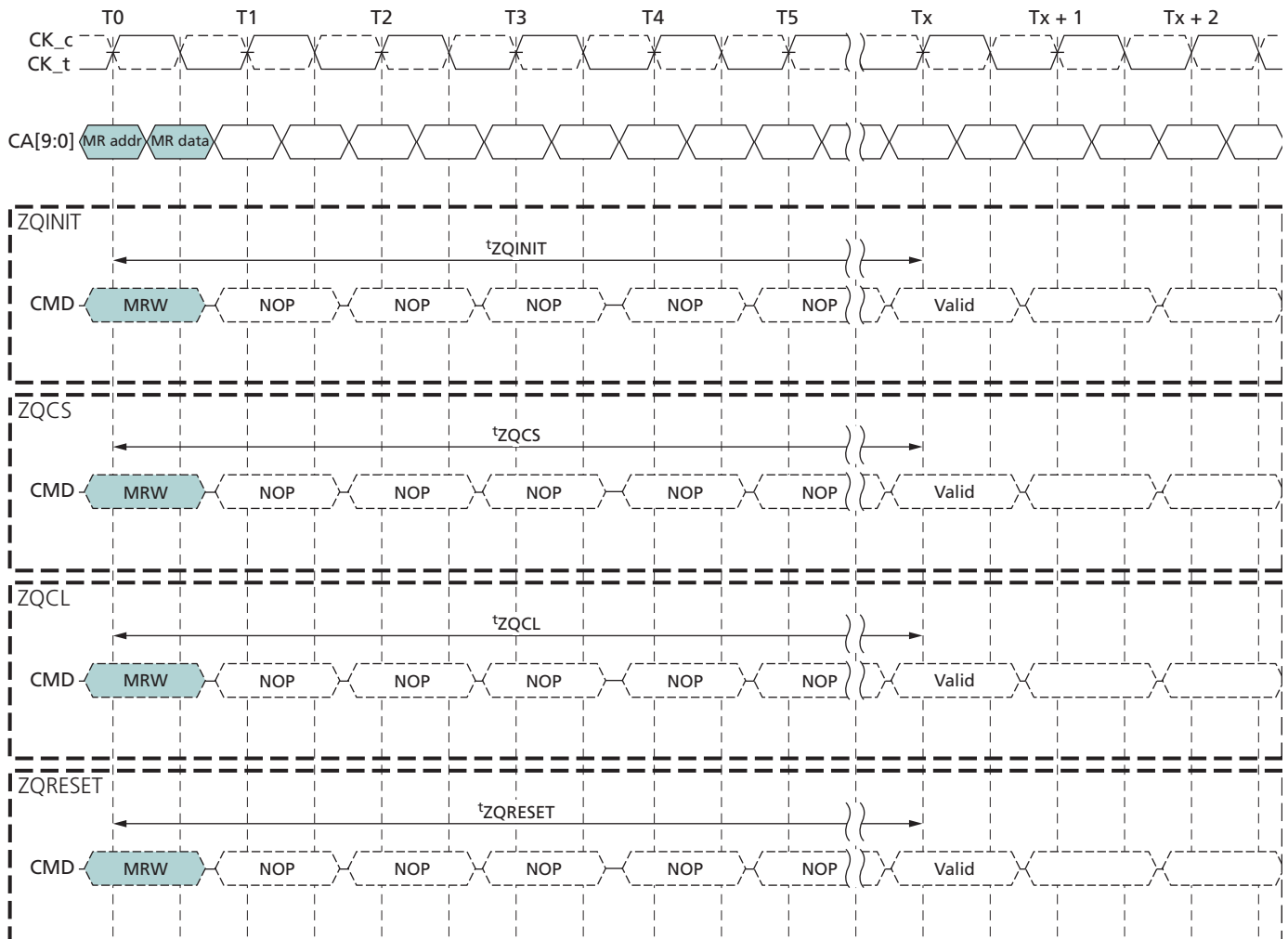
$$\frac{1.5}{(0.75 \times 1) + (0.20 \times 15)} = 0.4\text{s}$$

A ZQ calibration command can be issued only when the device is in the idle state with all banks precharged.

No other activities can be performed on the data bus during calibration periods ( $t^{\prime}$ ZQINIT,  $t^{\prime}$ ZQCL, or  $t^{\prime}$ ZQCS). The quiet time on the data bus helps to accurately calibrate output impedance. There is no required quiet time after the ZQRESET command. If multiple devices share a single ZQ resistor, only one device can be calibrating at any given time. After calibration is complete, the ZQ ball circuitry is disabled to reduce power consumption.

In systems sharing a ZQ resistor among devices, the controller must prevent  $t^{\prime}$ ZQINIT,  $t^{\prime}$ ZQCS, and  $t^{\prime}$ ZQCL overlap between the devices. ZQRESET overlap is acceptable. If the ZQ resistor is absent from the system, ZQ must be connected to  $V_{\text{DDCA}}$ . In this situation, the device must ignore ZQ calibration commands, and the device will use the default calibration settings.

**Figure 51: ZQ Timings**



- Notes:
1. Only the NOP command is supported during ZQ calibration.
  2. CKE must be registered HIGH continuously during the calibration period.
  3. All devices connected to the DQ bus should be High-Z during the calibration process.

## ZQ External Resistor Value, Tolerance, and Capacitive Loading

To use the ZQ calibration function, a 240Ω (±1% tolerance) external resistor must be connected between the ZQ pin and ground. A single resistor can be used for each device, or one resistor can be shared among multiple devices if the ZQ calibration timings for each device do not overlap. The total capacitive loading on the ZQ pin must be limited (see the Input/Output Capacitance table).

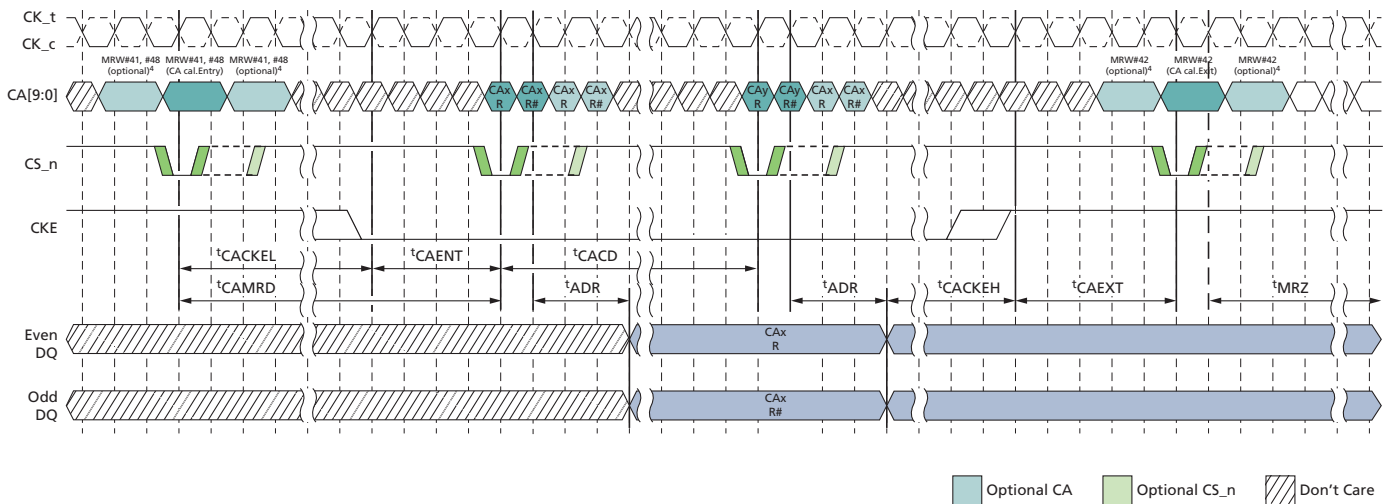
## MRW – CA Training Mode

Because CA inputs operate as double data rate, it may be difficult for the memory controller to satisfy CA input setup/hold timings at higher frequency. A CA training mechanism is provided.

### CA Training Sequence

1. CA training mode entry: MODE REGISTER WRITE command to MR41
2. CA training session: Calibrate CA0, CA1, CA2, CA3, CA5, CA6, CA7 and CA8 (see the CA Training Mode Enable [MR41] table)
3. CA to DQ mapping change: MODE REGISTER WRITE command to MR48
4. Additional CA training session: Calibrate remaining CA pins (CA4 and CA9) (see the CA Training Mode Enable [MR48] table)
5. CA training mode exit: MODE REGISTER WRITE command to MR42

Figure 52: CA Training Timing



- Notes:
1. Unused DQ must be valid HIGH or LOW during data output period. Unused DQ may transition at the same time as the active DQ. DQS must remain static and not transition.
  2. CA to DQ mapping change via MR 48 omitted here for clarity of the timing diagram. Both MR41 and MR48 training sequences must be completed before exiting the training mode (MR42). To enable a CA to DQ mapping change, CKE must be driven HIGH prior to issuance of the MRW 48 command. (See the steps in the CA Training Sequence section for details.)
  3. Because data-out control is asynchronous and will be an analog delay from when all the CA data is available,  $t_{ADR}$  and  $t_{MRZ}$  are defined from the falling edge of CK.

4. It is recommended to hold the CA bus stable for one cycle prior to and one cycle after the issuance of the MRW CA TRAINING ENTRY command to ensure setup and hold timings on the CA bus.
5. Optional MRW 41, 48, 42 commands and the CA CALIBRATION command are allowed. To complement these optional commands, optional CS<sub>n</sub> assertions are also allowed. All timing must comprehend these optional CS<sub>n</sub> assertions: a) <sup>t</sup>ADR starts at the falling clock edge after the last registered CS<sub>n</sub> assertion; b) <sup>t</sup>CACD, <sup>t</sup>CACKEL, and <sup>t</sup>CAMRD start with the rising clock edge of the last CS<sub>n</sub> assertion; c) <sup>t</sup>CAENT and <sup>t</sup>CAEXT need to be met by the first CS<sub>n</sub> assertion; and d) <sup>t</sup>MRZ will be met after the falling clock edge following the first CS<sub>n</sub> assertion with exit (MRW42) command.
6. Clock phase may be adjusted in CA training mode while CS<sub>n</sub> is HIGH and CKE is LOW, resulting in an irregular clock with shorter/longer periods and pulse widths.

The device may not properly recognize a MODE REGISTER WRITE command at normal operation frequency before CA training is finished. Special encodings are provided for CA training mode enable/disable.

MR41 and MR42 encodings are selected so that rising-edge and falling-edge values are the same. The device will recognize MR41 and MR42 at normal operation frequency even before CA timing adjustments have been made. Calibration data will be output through DQ pins. CA to DQ mapping is described in the CA to DQ mapping (CA training mode enabled with MR41) table.

After timing calibration with MR41 is finished, issue MRW to MR48 and calibrate the remaining CA pins (CA4 and CA9) using (DQ0/DQ1 and DQ8/DQ9) as calibration data output pins (see the CA to DQ mapping (CA training mode enabled with MR48) table).

**Table 52: CA Training Mode Enable (MR41 (29H, 0010 1001b), OP = A4H (1010 0100b))**

Clock Edge	CA0	CA1	CA2	CA3	CA4	CA5	CA6	CA7	CA8	CA9
CK rising edge	L	L	L	L	H	L	L	H	L	H
CK falling edge	L	L	L	L	H	L	L	H	L	H

**Table 53: CA Training Mode Disable (MR42 (2AH, 0010 1010b), OP = A8H(1010 1000b))**

Clock Edge	CA0	CA1	CA2	CA3	CA4	CA5	CA6	CA7	CA8	CA9
CK rising edge	L	L	L	L	L	H	L	H	L	H
CK falling edge	L	L	L	L	L	H	L	H	L	H

**Table 54: CA to DQ Mapping (CA Training Mode Enabled with MR41)**

Clock Edge	CA0	CA1	CA2	CA3	CA5	CA6	CA7	CA8
CK rising edge	DQ0	DQ2	DQ4	DQ6	DQ8	DQ10	DQ12	DQ14
CK falling edge	DQ1	DQ3	DQ5	DQ7	DQ9	DQ11	DQ13	DQ15

Note: 1. Other DQs must have valid output (either HIGH or LOW).



**Table 55: CA Training Mode Enable (MR48 (30H, 0011 0000b), OP = C0H (1100 0000b))**

Clock Edge	CA0	CA1	CA2	CA3	CA4	CA5	CA6	CA7	CA8	CA9
CK rising edge	L	L	L	L	L	L	L	L	H	H
CK falling edge	L	L	L	L	L	L	L	L	H	H

**Table 56: CA to DQ Mapping (CA Training Mode Enabled with MR48)**

Clock Edge	CA4	CA9
CK rising edge	DQ0	DQ8
CK falling edge	DQ1	DQ9

Note: 1. Other DQs must have valid output (either HIGH or LOW).

## MRW - Write Leveling Mode

To improve signal integrity performance, the device provides a write-leveling feature to compensate for timing skew, which affects timing parameters such as  $t_{DQSS}$ ,  $t_{DSS}$ , and  $t_{DSH}$ .

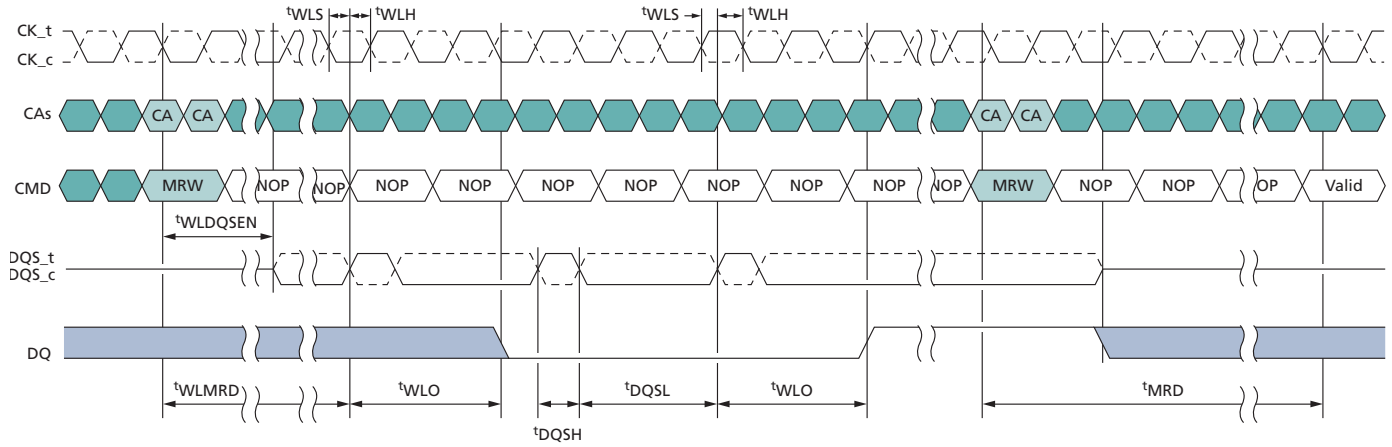
The memory controller uses the write-leveling feature to receive feedback from the device, enabling it to adjust the clock-to-data strobe signal relationship for each DQS signal pair. The memory controller performing the leveling must have an adjustable delay setting on the DQS signal pair to align the rising edge of DQS<sub>t</sub> signals with that of the clock signal at the DRAM pin. The device asynchronously feeds back CLK, sampled with the rising edge of DQS<sub>t</sub> signals. The controller repeatedly delays DQS<sub>t</sub> signals until a transition from 0 to 1 is detected. The DQS<sub>t</sub> signal delay established through this exercise ensures the  $t_{DQSS}$  specification can be met.

All data bits carry the leveling feedback to the controller (DQ[15:0] for x16 configuration, DQ[31:0] for x32 configuration). All DQS<sub>t</sub> signals must be leveled independently.

The device enters write-leveling mode when mode register MR2[7] is set HIGH. When entering write-leveling mode, the state of the DQ pins is undefined. During write-leveling mode, only NOP commands are allowed, or a MRW command to exit the write-leveling operation. Upon completion of the write-leveling operation, the device exits from write-leveling mode when MR2[7] is reset LOW.

The controller drives DQS<sub>t</sub> LOW and DQS<sub>c</sub> HIGH after a delay of  $t_{WLDQSEN}$ . After time  $t_{WLMRD}$ , the controller provides DQS<sub>t</sub> signal input, which is used by the DRAM to sample the clock signal driven from the controller. The delay time  $t_{WLMRD}$  (MAX) is controller-dependent. The DRAM samples the clock input with the rising edge of DQS<sub>t</sub> and provides asynchronous feedback on all the DQ bits after time  $t_{WLO}$ . The controller samples this information and either increments or decrements the DQS<sub>t</sub> and/or DQS<sub>c</sub> delay settings and launches the next DQS<sub>t</sub>/DQS<sub>c</sub> pulse. The sample time and trigger time are controller-dependent. After the following DQS<sub>t</sub>/DQS<sub>c</sub> transition is sampled, the controller locks the strobe delay settings, and write leveling is achieved for the device.

**Figure 53: Write-Leveling Timing**



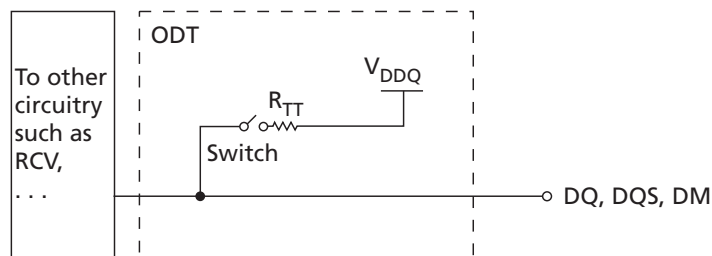
## On-Die Termination (ODT)

On-die termination (ODT) is a feature that enables the device to enable/disable and turn on/off termination resistance for each DQ, DQS, and DM signal via the ODT control pin. ODT is designed to improve signal integrity of the memory channel by enabling the DRAM controller to independently turn on/off the internal termination resistance for any or all DRAM devices. The ODT pin directly controls ODT operation and is not sampled by the clock.

ODT is turned off and not supported in self refresh and deep power-down modes. The device will also disable termination during READ operations. ODT operation can be enabled optionally during power-down mode via a mode register. Note that if ODT is enabled during power-down mode,  $V_{DDQ}$  may not be turned off during power down. The DRAM will also disable termination during READ operations.

A simple functional representation of the ODT feature is shown below.

**Figure 54: Functional Representation of On-Die Termination**



The switch is enabled by the internal ODT control logic, which uses the external ODT pin and other control information. The value of  $R_{TT}$  (ODT termination resistance value) is determined by the settings of several mode register bits. The ODT pin will be ignored if MR11 is programmed to disable ODT in self refresh, in deep power-down, in CKE power-down (mode register option), and during READ operations.

## ODT Mode Register

ODT mode is enabled if MR11[1:0] are non-zero. In this case, the value of  $R_{TT}$  is determined by the settings of those bits. ODT mode is disabled if MR11[1:0] are zero. MR11[2] determines whether ODT will operate during power-down mode if enabled through MR11[1:0].

## Asynchronous ODT

When enabled, the ODT feature is controlled asynchronously based on the status of the ODT pin. ODT is off under any of the following conditions:

- ODT is disabled through MR11[1:0]
- Device is performing a READ operation (READ or MRR)
- Device is in power-down mode and MR11[2] is zero
- Device is in self refresh or deep power-down mode
- Device is in CA training mode

In asynchronous ODT mode, the following timing parameters apply when ODT operation is controlled by the ODT pin  $t_{ODT\text{off}}$ ,  $t_{ODT\text{on}}$ .

Minimum  $R_{TT}$  turn-on time ( $t_{ODTon}$  [MIN]) is the point in time when the device termination circuit leaves High-Z state and ODT resistance begins to turn on. Maximum  $R_{TT}$  turn-on time ( $t_{ODTon,max}$ ) is the point in time when ODT resistance is fully on.  $t_{ODTon}$  (MIN) and  $t_{ODTon}$  (MAX) are measured from ODT pin HIGH.

Minimum  $R_{TT}$  turn-off time ( $t_{ODToff}$  [MIN]) is the point in time when the device termination circuit starts to turn off the ODT resistance. Maximum ODT turn off time ( $t_{ODToff}$  [MAX]) is the point in time when the on-die termination has reached High-Z.  $t_{ODToff,min}$  and  $t_{ODToff}$  (MAX) are measured from ODT pin LOW.

### **ODT During READ Operations (READ or MRR)**

During READ operations, the device will disable termination and disable ODT control through the ODT pin. After READ operations are completed, ODT control is resumed through the ODT pin (if ODT mode is enabled).

### **ODT During Power-Down**

When MR11[2] is zero, termination control through the ODT pin will be disabled when the DRAM enters power-down. After a power-down entry is registered, termination will be disabled within a time window specified by  $t_{ODTd}$  (MIN) (MAX). ODT pin control is resumed when power-down is exited (if ODT mode is enabled). Between the POWER-DOWN EXIT command and until  $t_{XP}$  is satisfied, termination will transition from disabled to control by the ODT pin. When  $t_{XP}$  is satisfied, the ODT pin is used to control termination.

Minimum  $R_{TT}$  disable time ( $t_{ODTd}$  [MIN]) is the point in time when the device termination circuit is no longer controlled by the ODT pin. Maximum ODT disable time ( $t_{ODTd}$  [MAX]) is the point in time when ODT will be in High-Z.

When MR11[2] is enabled and MR11[1:0] are non-zero, ODT operation is supported during CKE power-down with ODT control through the ODT pin.

### **ODT During Self Refresh**

The device disables the ODT function during self refresh. After a SELF REFRESH command is registered, termination will be disabled within a time window specified by  $t_{ODTd}$  (MIN) (MAX). During self refresh exit, ODT control through the ODT pin is resumed (if ODT mode is enabled). Between the SELF REFRESH EXIT command and until  $t_{XSR}$  is satisfied, termination will transition from disabled to control by the ODT pin. When  $t_{XSR}$  is satisfied, the ODT pin is used to control termination.

### **ODT During Deep Power-Down**

The device disables the ODT function during deep power-down. After a DEEP POWER-DOWN command is registered, termination will be disabled within a time window specified by  $t_{ODTd}$  (MIN) (MAX).

### **ODT During CA Training and Write Leveling**

During CA training mode, the device will disable ODT and ignore the state of the ODT control pin. For ODT operation during write leveling mode, refer to the DRAM Termination Function in Write-Leveling Mode table for termination activation and deactivation for DQ and DQS<sub>t</sub>/DQS<sub>c</sub>. If ODT is enabled, the ODT pin must be HIGH in write leveling mode.

**Table 57: DRAM Termination Function in Write-Leveling Mode**

ODT Pin	DQS Termination	DQ Termination
De-asserted	OFF	OFF
Asserted	ON	OFF

**Table 58: ODT States Truth Table**

	Write	Read/DQ Calibration	ZQ Calibration	CA Training	Write Leveling
DQ termination	Enabled	Disabled	Disabled	Disabled	Disabled
DQS termination	Enabled	Disabled	Disabled	Disabled	Enabled

**Figure 55: Asynchronous ODT Timing – RL = 12**

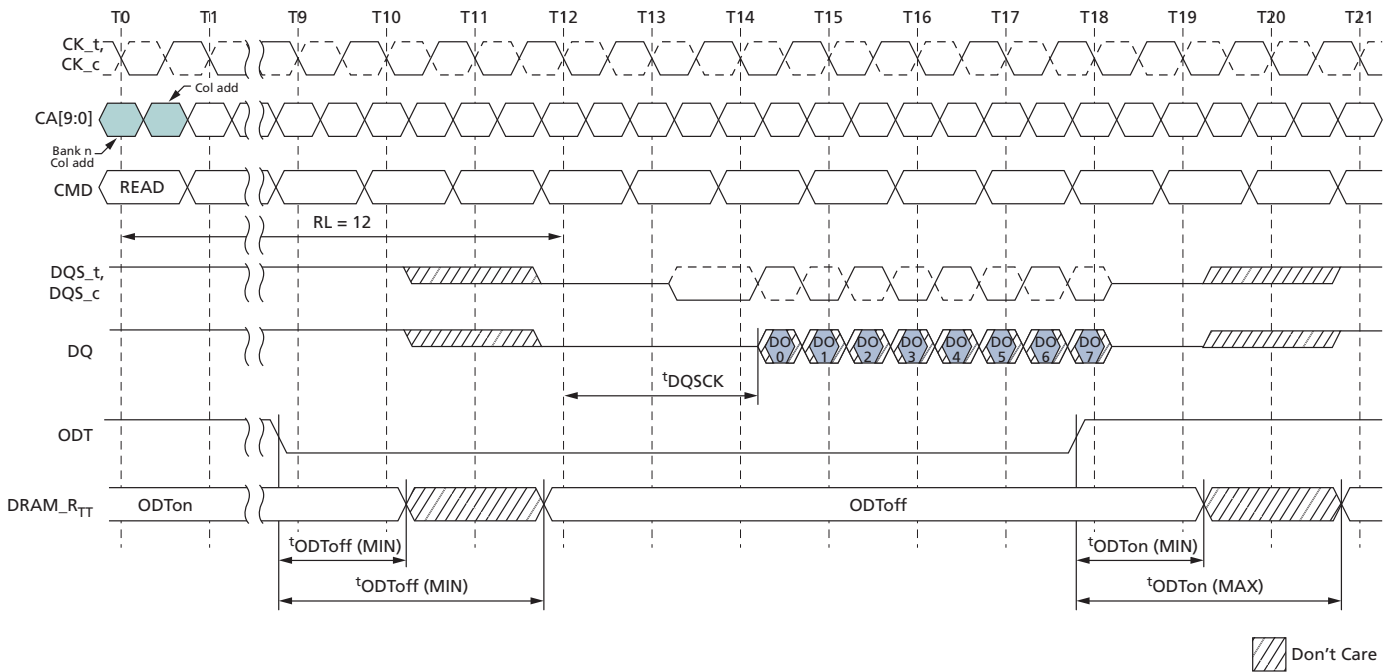
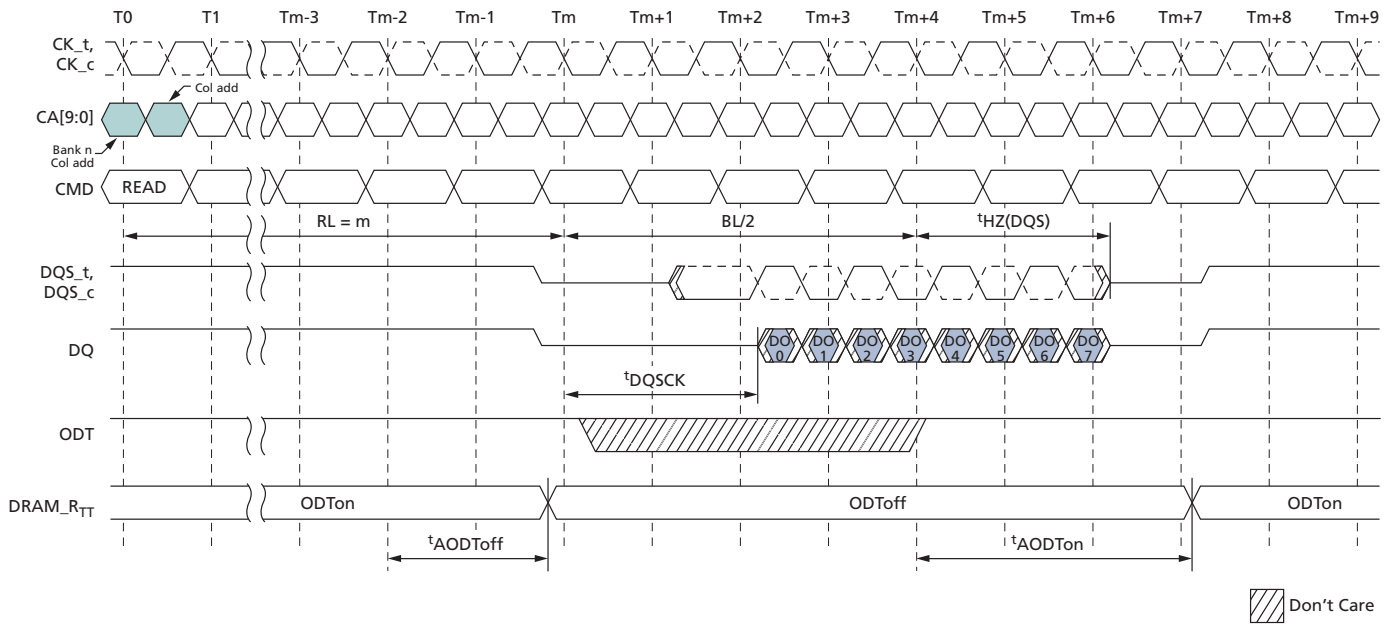
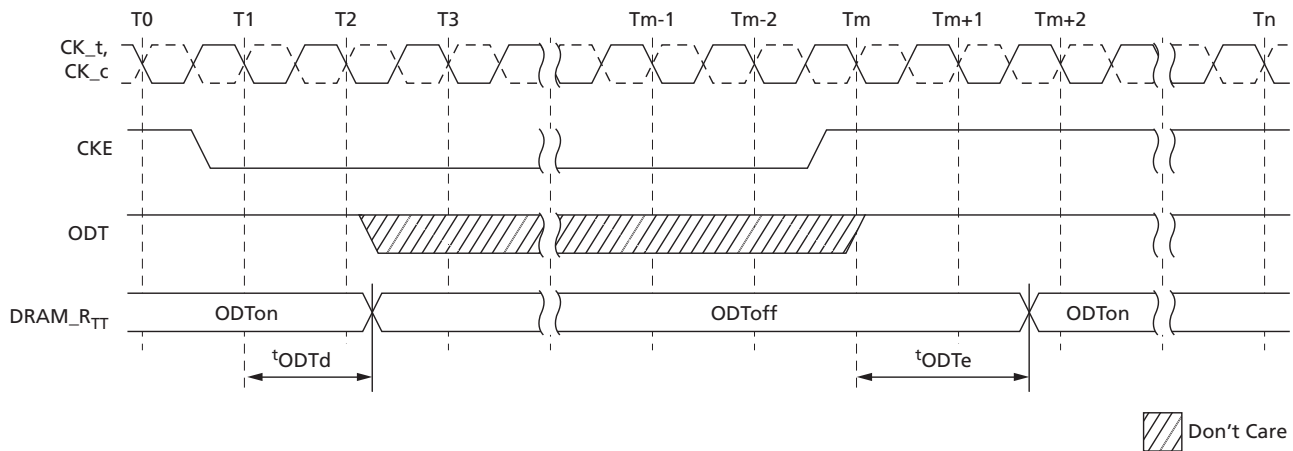


Figure 56: Automatic ODT Timing During READ Operation – RL = m



- Notes:
1. The automatic  $R_{TT}$  turn-off delay,  $t_{AODToff}$ , is referenced from the rising edge of RL - 2 clock at  $T_{m-2}$ .
  2. The automatic  $R_{TT}$  turn-on delay,  $t_{AODTon}$ , is referenced from the rising edge of RL + BL/2 clock at  $T_{m+4}$ .

Figure 57: ODT Timing During Power-Down, Self Refresh, Deep Power-Down Entry/Exit



- Note:
1. Upon exiting of deep power-down mode, a complete power-up initialization sequence is required.

## Power-Down

Power-down is entered synchronously when CKE is registered LOW and CS<sub>n</sub> is HIGH at the rising edge of clock. A NOP command must be driven in the clock cycle following the POWER-DOWN command. CKE must not go LOW while MRR, MRW, READ, or WRITE operations are in progress. CKE can go LOW while any other operations, such as ROW ACTIVATION, PRECHARGE, AUTO PRECHARGE, or REFRESH are in progress, but the power-down I<sub>DD</sub> specification is not applied until such operations are complete.

Entering power-down deactivates the input and output buffers, excluding CKE. To ensure enough time to account for internal delay on the CKE signal path, two NOP commands are required after CKE is driven LOW. This timing period is defined as t<sub>CPDED</sub>. CKE LOW results in deactivation of input receivers after t<sub>CPDED</sub> has expired. In power-down mode, CKE must be held LOW; all other input signals are “Don’t Care.” CKE LOW must be maintained until t<sub>CKE</sub> is satisfied, and V<sub>REFCA</sub> must be maintained at a valid level during power-down.

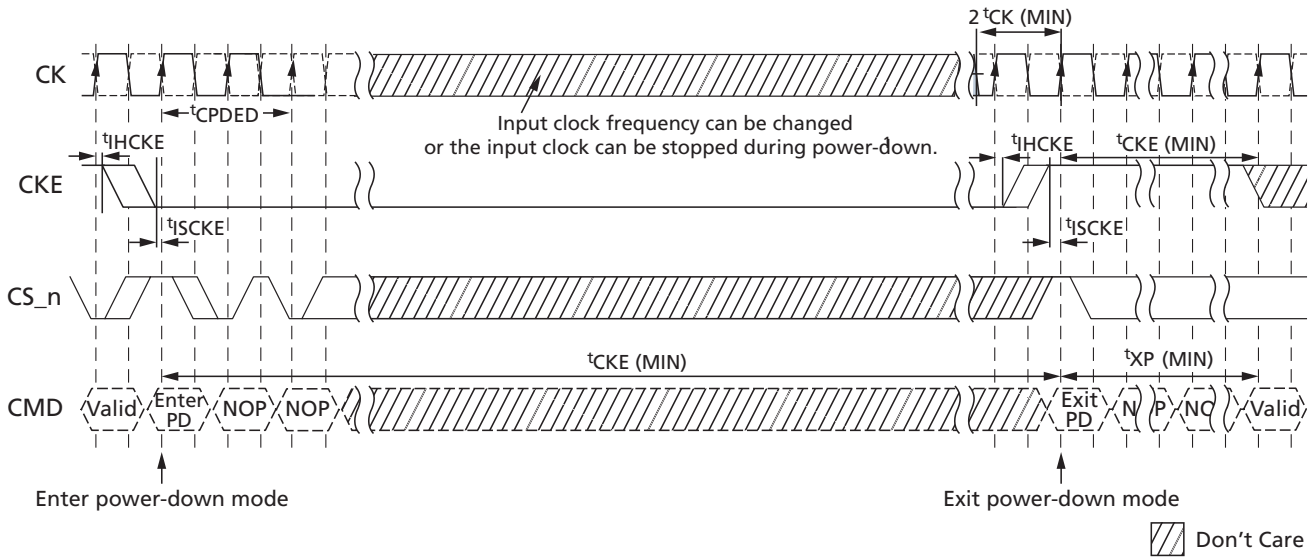
V<sub>DDQ</sub> can be turned off during power-down. If V<sub>DDQ</sub> is turned off, V<sub>REFDQ</sub> must also be turned off. Prior to exiting power-down, both V<sub>DDQ</sub> and V<sub>REFDQ</sub> must be within their respective minimum/maximum operating ranges (see the AC and DC Operating Conditions section).

No refresh operations are performed in power-down mode. The maximum duration in power-down mode is only limited by the refresh requirements outlined in the REFRESH Command section.

The power-down state is exited when CKE is registered HIGH. The controller must drive CS<sub>n</sub> HIGH in conjunction with CKE HIGH when exiting the power-down state. CKE HIGH must be maintained until t<sub>CKE</sub> is satisfied. A valid, executable command can be applied with power-down exit latency t<sub>XP</sub> after CKE goes HIGH. Power-down exit latency is defined in the AC Timing table.

If power-down occurs when all banks are idle, this mode is referred to as idle power-down; if power-down occurs when a row is active in any bank, this mode is referred to as active power-down. For the description of ODT operation and specifications during power-down entry and exit, see the On-Die Termination section.

Figure 58: Power-Down Entry and Exit Timing



Note: 1. Input clock frequency can be changed during power-down, provided that the clock frequency is between the minimum and maximum specified frequencies for the speed grade in use and that prior to power-down exit, a minimum of two stable clocks complete.

Figure 59: CKE Intensive Environment

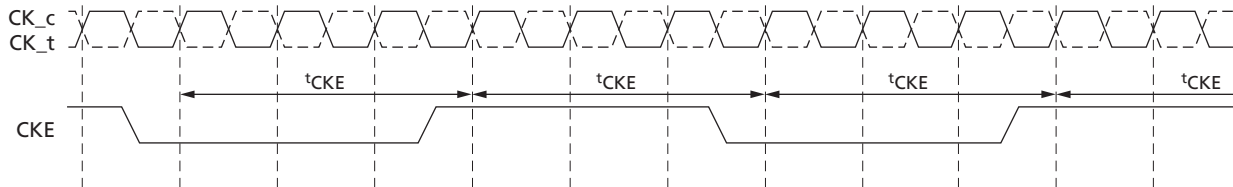
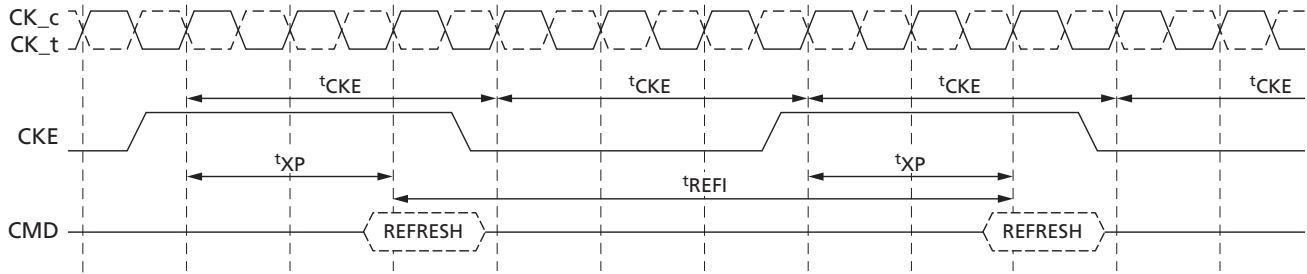


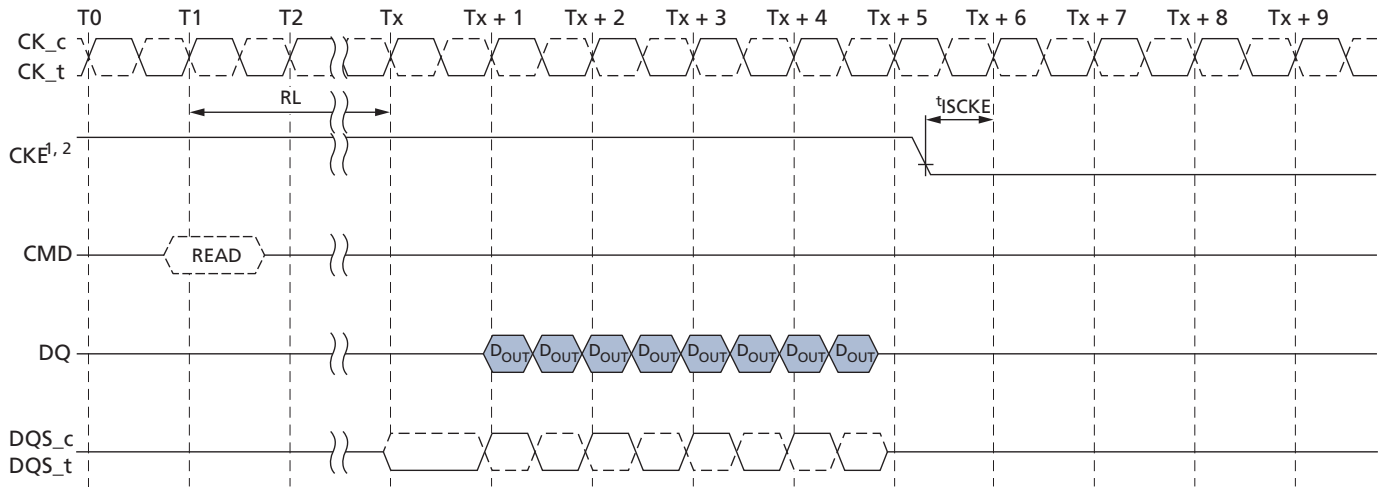


Figure 60: REFRESH to REFRESH Timing in CKE Intensive Environments



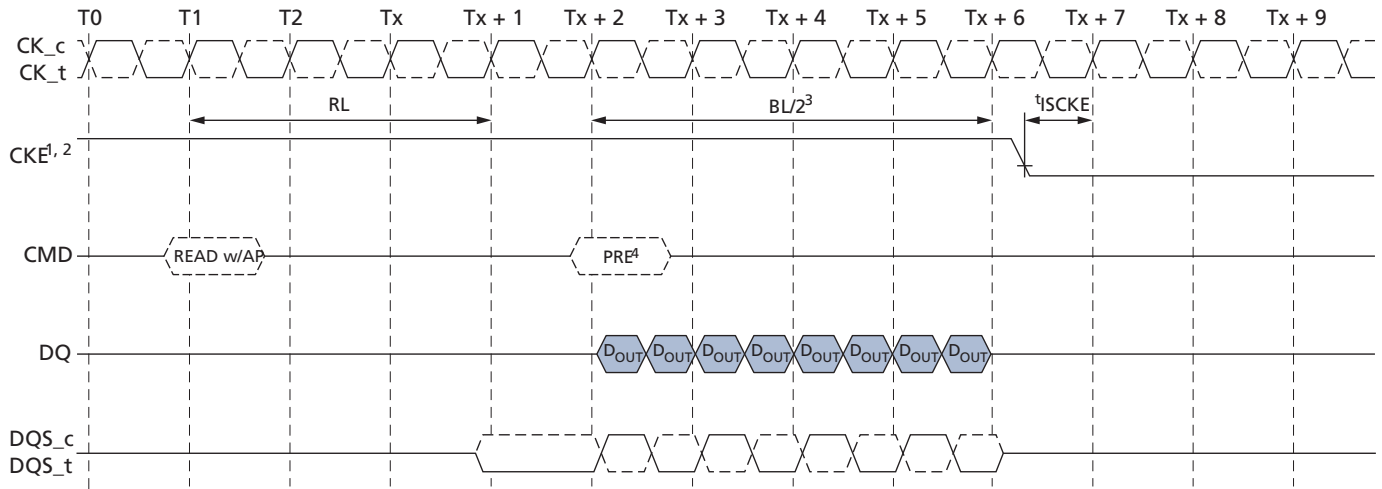
Note: 1. The pattern shown can repeat over an extended period of time. With this pattern, all AC and DC timing and voltage specifications with temperature and voltage drift are ensured.

Figure 61: READ to Power-Down Entry



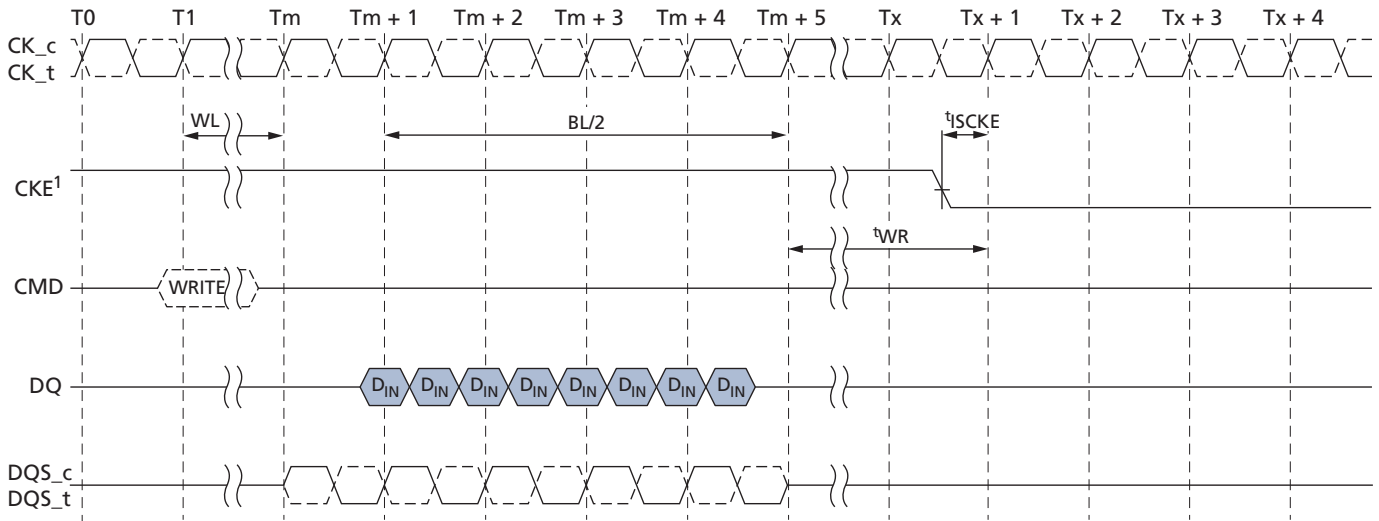
Notes: 1. CKE must be held HIGH until the end of the burst operation.  
2. CKE can be registered LOW at  $\{RL + RU[t_{DQSCK}(MAX)/t_{CK}] + BL/2 + 1\}$  clock cycles after the clock on which the READ command is registered.

**Figure 62: READ with Auto Precharge to Power-Down Entry**



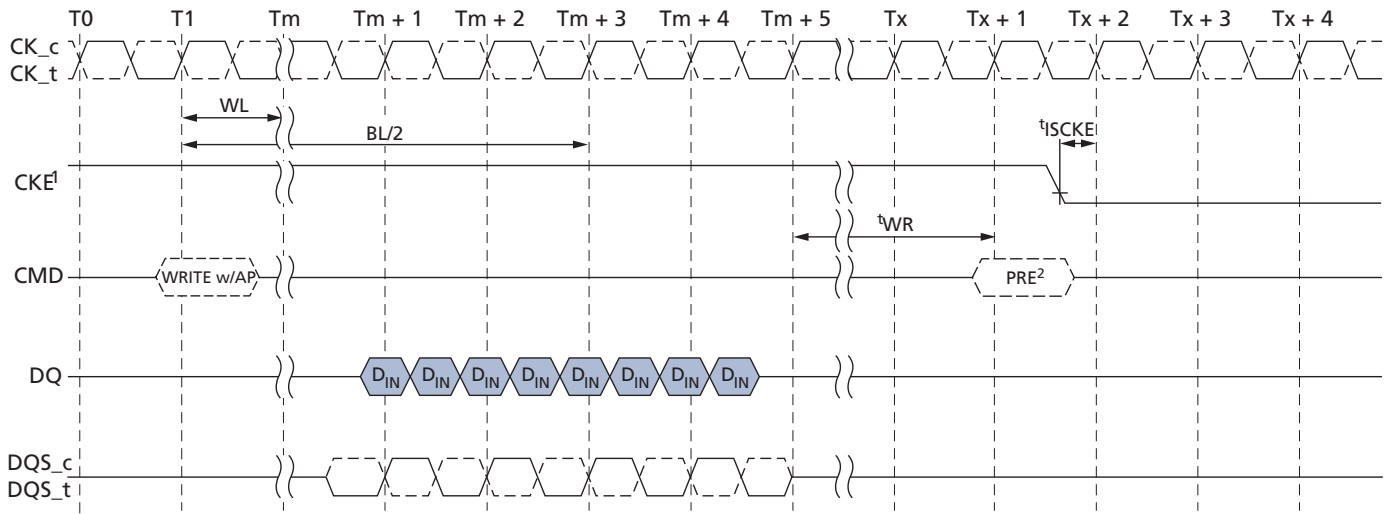
- Notes:
1. CKE must be held HIGH until the end of the burst operation.
  2. CKE can be registered LOW at  $[RL + RU(t_{DQ\text{SCK}}/t_{CK}) + BL/2 + 1]$  clock cycles after the clock on which the READ command is registered.
  3. BL/2 with  $t_{RTP} = 7.5\text{ns}$  and  $t_{RAS}(\text{MIN})$  is satisfied.
  4. Start internal PRECHARGE.

**Figure 63: WRITE to Power-Down Entry**



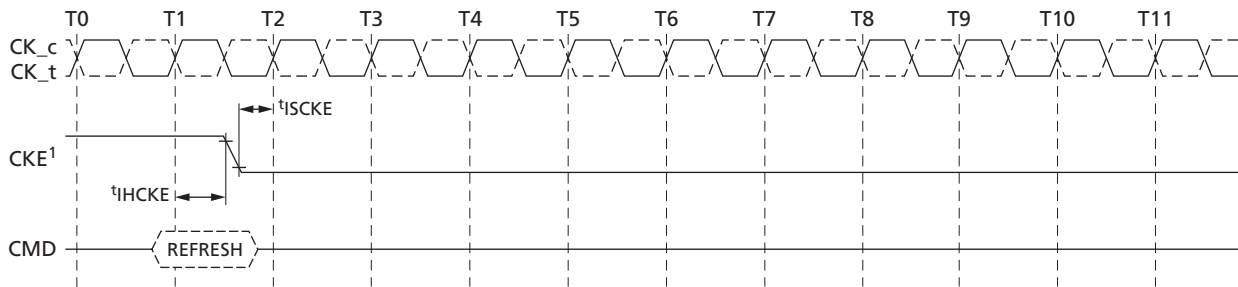
- Note:
1. CKE can be registered LOW at  $[WL + 1 + BL/2 + RU(t_{WR}/t_{CK})]$  clock cycles after the clock on which the WRITE command is registered.

**Figure 64: WRITE with Auto Precharge to Power-Down Entry**



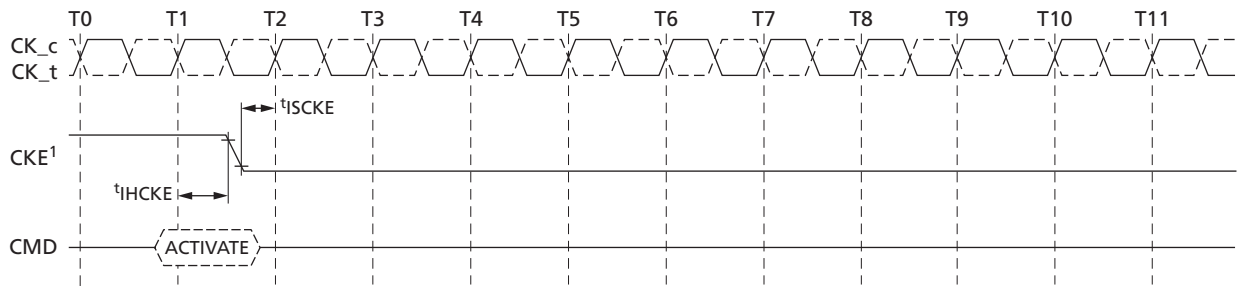
- Notes:
1. CKE can be registered LOW at  $[WL + 1 + BL/2 + RU(t_{WR}/t_{CK}) + 1]$  clock cycles after the WRITE command is registered.
  2. Start internal PRECHARGE.

**Figure 65: REFRESH Command to Power-Down Entry**



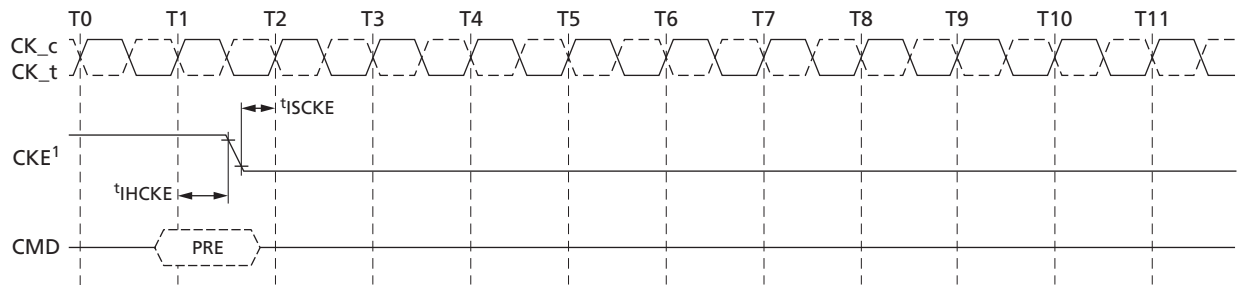
- Note:
1. CKE can go LOW  $t_{IHCKE}$  after the clock on which the REFRESH command is registered.

**Figure 66: ACTIVATE Command to Power-Down Entry**



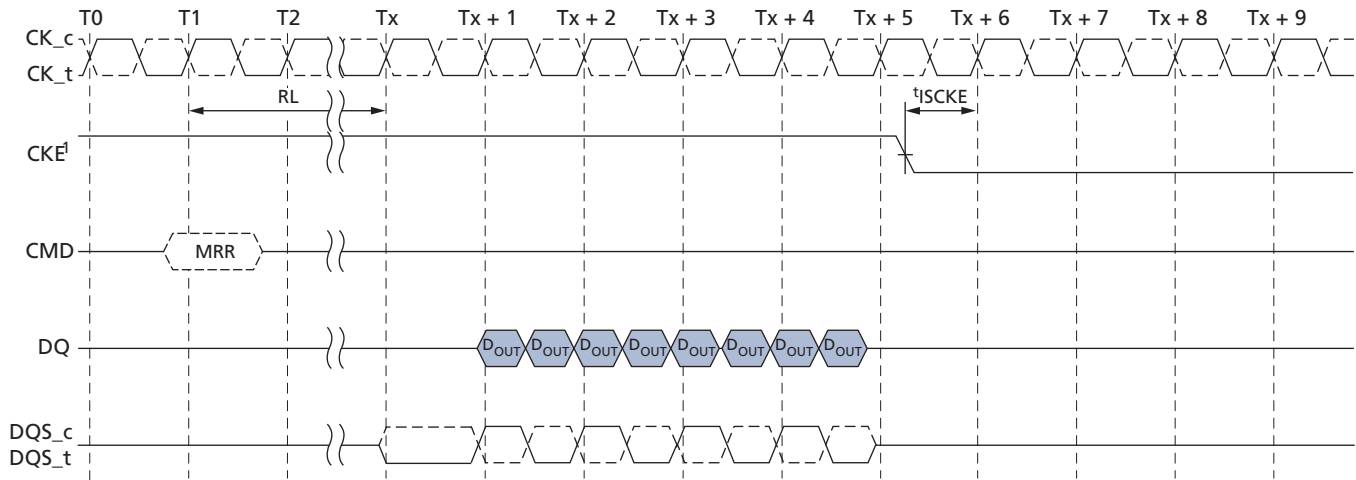
Note: 1. CKE can go LOW at  $t^1IHCKE$  after the clock on which the ACTIVATE command is registered.

**Figure 67: PRECHARGE Command to Power-Down Entry**



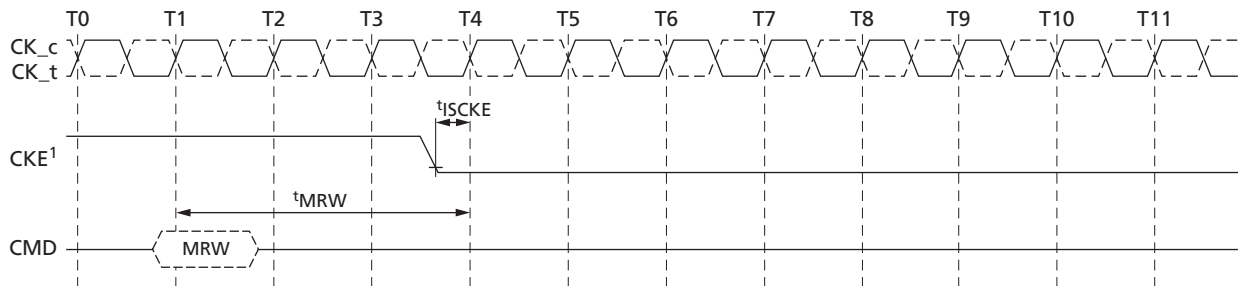
Note: 1. CKE can go LOW  $t^1IHCKE$  after the clock on which the PRECHARGE command is registered.

Figure 68: MRR Power-Down Entry



Note: 1. CKE can be registered LOW at  $[RL + RU(t_{DQSK}/t_{CK}) + BL/2 + 1]$  clock cycles after the clock on which the MRR command is registered.

Figure 69: MRW Command to Power-Down Entry



Note: 1. CKE can be registered LOW t<sub>MRW</sub> after the clock on which the MRW command is registered.

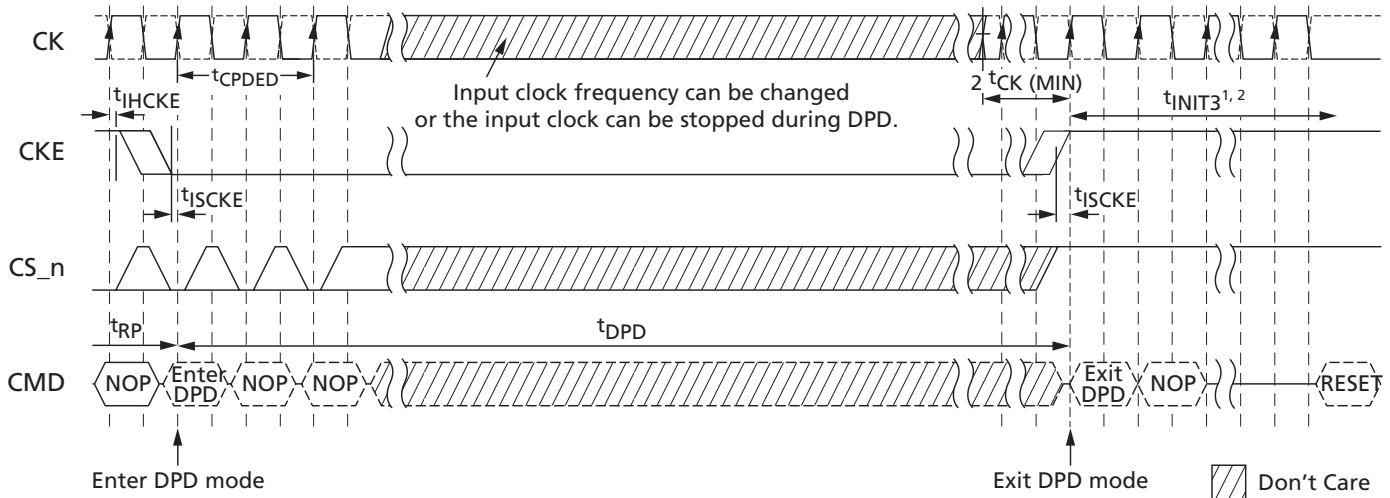
## Deep Power-Down

Deep power-down (DPD) is entered when CKE is registered LOW with CS<sub>n</sub> LOW, CA0 HIGH, CA1 HIGH, and CA2 LOW at the rising edge of the clock. All banks must be in the idle state with no activity on the data bus prior to entering DPD mode. During DPD, CKE must be held LOW. The contents of the device will be lost upon entering DPD mode.

In DPD mode, all input buffers except CKE, all output buffers, and the power supply to internal circuitry are disabled within the device. To ensure that there is enough time to account for internal delay on the CKE signal path, two NOP commands are required after CKE is driven LOW; this timing period is defined as t<sub>CPDED</sub>. CKE LOW will result in deactivation of command and address receivers after t<sub>CPDED</sub> has expired. V<sub>REFDQ</sub> can be at any level between 0 and V<sub>DDQ</sub>, and V<sub>REFCA</sub> can be at any level between 0 and V<sub>DDCA</sub> during DPD. All power supplies, including V<sub>REF</sub>, must be within the specified limits prior to exiting DPD (see AC and DC Operating Conditions).

DPD mode is exited when CKE is registered HIGH while meeting  $t_{\text{ISCKE}}$ , and the clock must be stable. The device must be fully reinitialized using the power-up initialization sequence. For a description of ODT operation and specifications during DPD entry and exit, see the ODT During Deep Power-Down section.

**Figure 70: Deep Power-Down Entry and Exit Timing**



- Notes:
1. The initialization sequence can start at any time after  $T_x + 1$ .
  2.  $t_{\text{INIT3}}$  and  $T_x + 1$  refer to timings in the initialization sequence. For details, see the Mode Register Definition section.

## Input Clock Frequency Changes and Stop Events

### Input Clock Frequency Changes and Clock Stop with CKE LOW

During CKE LOW, the device supports input clock frequency changes and clock stop under the following conditions:

- Refresh requirements are met
- Only REFab or REFpb commands can be in process
- Any ACTIVATE or PRECHARGE commands have completed prior to changing the frequency
- Related timing conditions,  $t_{\text{RCD}}$  and  $t_{\text{RP}}$ , have been met prior to changing the frequency
- The initial clock frequency must be maintained for a minimum of two clock cycles after CKE goes LOW
- The clock satisfies  $t_{\text{CH(abs)}}$  and  $t_{\text{CL(abs)}}$  for a minimum of two clock cycles prior to CKE going HIGH

For input clock frequency changes,  $t_{\text{CK (MIN)}}$  and  $t_{\text{CK (MAX)}}$  must be met for each clock cycle.

After the input clock frequency changes and CKE is held HIGH, additional MRW commands may be required to set the WR, RL, and so on. These settings may require adjustment to meet minimum timing requirements at the target clock frequency.

For clock stop, CK<sub>t</sub> is held LOW and CK<sub>c</sub> is held HIGH.

## Input Clock Frequency Changes and Clock Stop with CKE HIGH

During CKE HIGH, the device supports input clock frequency changes and clock stop under the following conditions:

- Refresh requirements are met
- Any ACTIVATE, READ, WRITE, PRECHARGE, MRW, or MRR commands have completed, including any associated data bursts, prior to changing the frequency
- Related timing conditions,  $t_{RCD}$ ,  $t_{WR}$ ,  $t_{WRA}$ ,  $t_{RP}$ ,  $t_{MRW}$ ,  $t_{MRR}$ , and so on, are met
- CS<sub>n</sub> must be held HIGH
- Only REFab or REFpb commands can be in process

The device is ready for normal operation after the clock satisfies  $t_{CH(ABS)}$  and  $t_{CL(ABS)}$  for a minimum of  $2 \times t_{CK} + t_{XP}$ .

After the input clock frequency changes,  $t_{CK}(\text{MIN})$  and  $t_{CK}(\text{MAX})$  must be met for each clock cycle.

After the input clock frequency changes, additional MRW commands may be required to set the WR, RL, and so on. These settings may require adjustment to meet minimum timing requirements at the target clock frequency.

For clock stop, CK<sub>t</sub> is held LOW and CK<sub>c</sub> is held HIGH.

## NO OPERATION Command

The NO OPERATION (NOP) command prevents the device from registering any unwanted commands issued between operations. A NOP command can be issued only at clock cycle  $n$  when the CKE level is constant for clock cycle  $n - 1$  and clock cycle  $n$ . A NOP command has two possible encodings:

1. CS<sub>n</sub> HIGH at the clock rising edge  $n$ .
2. CS<sub>n</sub> LOW with CA0, CA1, CA2 HIGH at the clock rising edge  $n$ .

The NOP command does not terminate a previous operation that is still in process, such as a READ burst or WRITE burst cycle.

## Truth Tables

Truth tables provide complementary information to the state diagram. They also clarify device behavior and applicable restrictions when considering the actual state of the banks.

Unspecified operations and timings are illegal. To ensure proper operation after an illegal event, the device must be powered down and then restarted using the specified initialization sequence before normal operation can continue.

**Table 59: Command Truth Table**

Notes 1–13 apply to entire table

Command	Command Pins			CA Pins										CK Edge
	CKE		CS <sub>n</sub>	CA0	CA1	CA2	CA3	CA4	CA5	CA6	CA7	CA8	CA9	
	CK(n-1)	CK(n)												
MRW	H	H	L	L	L	L	L	MA0	MA1	MA2	MA3	MA4	MA5	
			X	MA6	MA7	OP0	OP1	OP2	OP3	OP4	OP5	OP6	OP7	
MRR	H	H	L	L	L	L	H	MA0	MA1	MA2	MA3	MA4	MA5	
			X	MA6	MA7	X								
REFRESH (per bank)	H	H	L	L	L	H	L	X						
			X	X										
REFRESH (all banks)	H	H	L	L	L	H	H	X						
			X	X										
Enter self refresh	H	L	L	L	L	H	X							
			X	X										
ACTIVATE (bank)	H	H	L	L	H	R8	R9	R10	R11	R12	BA0	BA1	BA2	
			X	R0	R1	R2	R3	R4	R5	R6	R7	R13	R14	
WRITE (bank)	H	H	L	H	L	L	RFU	RFU	C1	C2	BA0	BA1	BA2	
			X	AP	C3	C4	C5	C6	C7	C8	C9	C10	C11	
READ (bank)	H	H	L	H	L	H	RFU	RFU	C1	C2	BA0	BA1	BA2	
			X	AP	C3	C4	C5	C6	C7	C8	C9	C10	C11	
PRECHARGE (per bank, all banks)	H	H	L	H	H	L	H	AB	X	X	BA0	BA1	BA2	
			X	X										
ENTER DPD	H	L	L	H	H	L	X							
			X	X										
NOP	H	H	L	H	H	H	X							
			X	X										
MAINTAIN PD, SREF, DPD (NOP)	L	L	L	H	H	H	X							
			X	X										
NOP	H	H	H	X										
			X	X										



**Table 59: Command Truth Table (Continued)**

Notes 1–13 apply to entire table

Command	Command Pins			CA Pins									CK Edge	
	CKE		CS <sub>n</sub>	CA0	CA1	CA2	CA3	CA4	CA5	CA6	CA7	CA8		CA9
	CK(n-1)	CK(n)												
MAINTAIN PD, SREF, DPD	L	L	X	X										
			X	X										
ENTER POWER-DOWN	H	L	H	X										
	X		X	X										
Exit PD, SREF, DPD	L	H	H	X										
	X		X	X										

- Notes:
- All commands are defined by the current state of CS<sub>n</sub>, CA0, CA1, CA2, CA3, and CKE at the rising edge of the clock.
  - Bank addresses (BA) determine which bank will be operated upon.
  - AP HIGH during a READ or WRITE command indicates that an auto precharge will occur to the bank associated with the READ or WRITE command.
  - X indicates a "Don't Care" state, with a defined logic level, either HIGH (H) or LOW (L). For PD, SREF and DPD, CS<sub>n</sub>, CK can be floated after t<sup>CPDED</sup> has been met and until the required exit procedure is initiated as described in their respective entry/exit procedures.
  - Self refresh exit and DPD exit are asynchronous.
  - V<sub>REF</sub> must be between 0 and V<sub>DDQ</sub> during SREF and DPD operation.
  - CAXr refers to command/address bit "x" on the rising edge of clock.
  - CAXf refers to command/address bit "x" on the falling edge of clock.
  - CS<sub>n</sub> and CKE are sampled on the rising edge of the clock.
  - The least significant column address C0 is not transmitted on the CA bus, and is inferred to be zero.
  - AB HIGH during a PRECHARGE command indicates that an all-bank precharge will occur. In this case, bank address is a "Don't Care."
  - RFU needs to input H or L (defined logic level).
  - When CS<sub>n</sub> is HIGH, the CA bus can be floated.

**Table 60: CKE Truth Table**

Notes 1–5 apply to entire table; L = LOW; H = HIGH; X = "Don't Care"

Current State	CKEn-1	CKEn	CS <sub>n</sub>	Command n	Operation n	Next State	Notes
Active power-down	L	L	X	X	Maintain active power-down	Active power-down	
	L	H	H	NOP	Exit active power-down	Active	6, 7
Idle power-down	L	L	X	X	Maintain idle power-down	Idle power-down	
	L	H	H	NOP	Exit idle power-down	Idle	6, 7
Resetting idle power-down	L	L	X	X	Maintain resetting power-down	Resetting power-down	
	L	H	H	NOP	Exit resetting power-down	Idle or resetting	6, 7, 8

**Table 60: CKE Truth Table (Continued)**

Notes 1–5 apply to entire table; L = LOW; H = HIGH; X = “Don’t Care”

Current State	CKEn-1	CKEn	CS_n	Command n	Operation n	Next State	Notes	
Deep power-down	L	L	X	X	Maintain deep power-down	Deep power-down		
	L	H	H	NOP	Exit deep power-down	Power-on	9	
Self refresh	L	L	X	X	Maintain self refresh	Self refresh		
	L	H	H	NOP	Exit self refresh	Idle	10, 11	
Bank(s) active	H	L	H	NOP	Enter active power-down	Active power-down		
All banks idle	H	L	H	NOP	Enter idle power-down	Idle power-down	12	
	H	L	L	ENTER SELF REFRESH	Enter self refresh	Self refresh	12	
	H	L	L	DPD	Enter deep power-down	Deep power-down	12	
Resetting	H	L	H	NOP	Enter resetting power-down	Resetting power-down		
Other states	H	H	Refer to the command truth table					

- Notes:
1. Current state is the state of the device immediately prior to clock edge *n*.
  2. All states and sequences not shown are illegal or reserved unless explicitly described elsewhere in this document.
  3. CKEn is the logic state of CKE at clock rising edge *n*; CKEn-1 was the state of CKE at the previous clock edge.
  4. CS\_n is the logic state of CS\_n at the clock rising edge *n*.
  5. Command *n* is the command registered at clock edge *n*, and operation *n* is a result of command *n*.
  6. Power-down exit time (<sup>t</sup>XP) must elapse before any command other than NOP is issued.
  7. The clock must toggle at least twice prior to the <sup>t</sup>XP period.
  8. Upon exiting the resetting power-down state, the device will return to the idle state if <sup>t</sup>INIT5 has expired.
  9. The DPD exit procedure must be followed as described in Deep Power-Down.
  10. Self refresh exit time (<sup>t</sup>XSR) must elapse before any command other than NOP is issued.
  11. The clock must toggle at least twice prior to the <sup>t</sup>XSR time.
  12. In the case of ODT disabled, all DQ output must be High-Z. In the case of ODT enabled, all DQ must be terminated to V<sub>DDQ</sub>.

**Table 61: Current State Bank *n* to Command to Bank *n* Truth Table**

Notes 1–5 apply to entire table

Current State	Command	Operation	Next State	Notes
Any	NOP	Continue previous operation	Current state	

**Table 61: Current State Bank *n* to Command to Bank *n* Truth Table (Continued)**

Notes 1–5 apply to entire table

Current State	Command	Operation	Next State	Notes
Idle	ACTIVATE	Select and activate row	Active	
	REFRESH (per bank)	Begin to refresh	Refreshing (per bank)	6
	REFRESH (all banks)	Begin to refresh	Refreshing (all banks)	7
	MRW	Load value to mode register	MR writing	7
	MRR	Read value from mode register	Idle, MR reading	
	RESET	Begin device auto initialization	Resetting	7, 8
	PRECHARGE	Deactivate row(s) in bank or banks	Precharging	9, 10
Row active	READ	Select column and start read burst	Reading	
	WRITE	Select column and start write burst	Writing	
	MRR	Read value from mode register	Active MR reading	
	PRECHARGE	Deactivate row(s) in bank or banks	Precharging	9
Reading	READ	Select column and start new read burst	Reading	11, 12
	WRITE	Select column and start write burst	Writing	11, 12, 13
Writing	WRITE	Select column and start new write burst	Writing	11, 12
	READ	Select column and start read burst	Reading	11, 12, 14
Power-on	MRW RESET	Begin device auto initialization	Resetting	7, 9
Resetting	MRR	Read value from mode register	Resetting MR reading	

- Notes:
- Values in this table apply when both  $CKEn -1$  and  $CKEn$  are HIGH, and after  $t^XSR$  or  $t^XP$  has been met, if the previous state was power-down.
  - All states and sequences not shown are illegal or reserved.
  - Current state definitions:

State	Definition
Idle	The bank or banks have been precharged, and $t^RP$ has been met.
Active	A row in the bank has been activated, and $t^RCD$ has been met. No data bursts or accesses, and no register accesses, are in progress.
Reading	A READ burst has been initiated with auto precharge disabled, and has not yet terminated.
Writing	A WRITE burst has been initiated with auto precharge disabled, and has not yet terminated.

- The states listed below must not be interrupted by a command issued to the same bank. NOP commands or supported commands to the other bank should be issued on any clock edge occurring during these states. Supported commands to the other banks are determined by that bank's current state, and the definitions given in the table: Current State Bank *n* to Command to Bank *m*.

State	Starts with...	Ends when...	Notes
Precharging	Registration of a PRE-CHARGE command	$t^RP$ is met	After $t^RP$ is met, the bank is in the idle state.
Row activating	Registration of an ACTIVATE command	$t^RCD$ is met	After $t^RCD$ is met, the bank is in the active state.

State	Starts with...	Ends when...	Notes
READ with AP enabled	Registration of a READ command with auto precharge enabled	$t_{RP}$ is met	After $t_{RP}$ is met, the bank is in the idle state.
WRITE with AP enabled	Registration of a WRITE command with auto pre-charge enabled	$t_{RP}$ is met	After $t_{RP}$ is met, the bank is in the idle state.

5. The states listed below must not be interrupted by any executable command. NOP commands must be applied to each positive clock edge during these states.

State	Starts with...	Ends when...	Notes
Refreshing (per bank)	Registration of a REFRESH (per bank) command	$t_{RFCpb}$ is met	After $t_{RFCpb}$ is met, the bank is in the idle state.
Refreshing (all banks)	Registration of a REFRESH (all banks) command	$t_{RFCab}$ is met	After $t_{RFCab}$ is met, the device is in the all banks idle state.
Idle MR reading	Registration of the MRR command	$t_{MRR}$ is met	After $t_{MRR}$ is met, the device is in the all banks idle state.
Resetting MR reading	Registration of the MRR command	$t_{MRR}$ is met	After $t_{MRR}$ is met, the device is in the all banks idle state.
Active MR reading	Registration of the MRR command	$t_{MRR}$ is met	After $t_{MRR}$ is met, the bank is in the active state.
MR writing	Registration of the MRW command	$t_{MRW}$ is met	After $t_{MRW}$ is met, the device is in the all banks idle state.
Precharging all	Registration of a PRE-CHARGE ALL command	$t_{RP}$ is met	After $t_{RP}$ is met, the device is in the all banks idle state.

6. Bank-specific; requires that the bank is idle and no bursts are in progress.
7. Not bank-specific; requires that all banks are idle and no bursts are in progress.
8. Not bank-specific.
9. This command may or may not be bank-specific. If all banks are being precharged, they must be in a valid state for precharging.
10. If a PRECHARGE command is issued to a bank in the idle state,  $t_{RP}$  still applies.
11. A command other than NOP should not be issued to the same bank while a READ or WRITE with auto precharge is enabled.
12. The new READ or WRITE command could be auto precharge enabled or auto precharge disabled.
13. A WRITE command can be issued only after the completion of the READ burst.
14. A READ command can be issued only after completion of the WRITE burst.

**Table 62: Current State Bank *n* to Command to Bank *m* Truth Table**

Notes 1–6 apply to entire table

Current State of Bank <i>n</i>	Command to Bank <i>m</i>	Operation	Next State for Bank <i>m</i>	Notes
Any	NOP	Continue previous operation	Current state of bank <i>m</i>	

**Table 62: Current State Bank *n* to Command to Bank *m* Truth Table (Continued)**

Notes 1–6 apply to entire table

Current State of Bank <i>n</i>	Command to Bank <i>m</i>	Operation	Next State for Bank <i>m</i>	Notes
Idle	Any	Any command supported to bank <i>m</i>	–	
Row activating, active, or pre-charging	ACTIVATE	Select and activate row in bank <i>m</i>	Active	6
	READ	Select column and start READ burst from bank <i>m</i>	Reading	7
	WRITE	Select column and start WRITE burst to bank <i>m</i>	Writing	7
	PRECHARGE	Deactivate row(s) in bank or banks	Precharging	8
	MRR	READ value from mode register	Idle MR reading or active MR reading	9, 10, 11
Reading (auto precharge disabled)	READ	Select column and start READ burst from bank <i>m</i>	Reading	7
	WRITE	Select column and start WRITE burst to bank <i>m</i>	Writing	7, 12
	ACTIVATE	Select and activate row in bank <i>m</i>	Active	
	PRECHARGE	Deactivate row(s) in bank or banks	Precharging	8
Writing (auto precharge disabled)	READ	Select column and start READ burst from bank <i>m</i>	Reading	7, 13
	WRITE	Select column and start WRITE burst to bank <i>m</i>	Writing	7
	ACTIVATE	Select and activate row in bank <i>m</i>	Active	
	PRECHARGE	Deactivate row(s) in bank or banks	Precharging	8
Reading with auto precharge	READ	Select column and start READ burst from bank <i>m</i>	Reading	7, 14
	WRITE	Select column and start WRITE burst to bank <i>m</i>	Writing	7, 12, 14
	ACTIVATE	Select and activate row in bank <i>m</i>	Active	
	PRECHARGE	Deactivate row(s) in bank or banks	Precharging	8
Writing with auto precharge	READ	Select column and start READ burst from bank <i>m</i>	Reading	7, 13, 14
	WRITE	Select column and start WRITE burst to bank <i>m</i>	Writing	7, 14
	ACTIVATE	Select and activate row in bank <i>m</i>	Active	
	PRECHARGE	Deactivate row(s) in bank or banks	Precharging	8
Power-on	MRW RESET	Begin device auto initialization	Resetting	15, 16
Resetting	MRR	Read value from mode register	Resetting MR reading	

Notes: 1. This table applies when:

- The previous state was self refresh or power-down;
- After <sup>t</sup>XSR or <sup>t</sup>XP has been met; and

- When both  $CKEn - 1$  and  $CKEn$  are HIGH.
- 2. All states and sequences not shown are illegal or reserved.
- 3. Current state definitions:

State	Condition	And...	And...
Idle	The bank has been pre-charged	$t_{RP}$ is met	
Active	A row in the bank has been activated	$t_{RCD}$ is met	No data bursts/accesses and no register accesses are in progress.
Reading	A READ burst has been initiated with auto precharge disabled	The READ has not yet terminated	
Writing	A WRITE burst has been initiated with auto precharge disabled	The WRITE has not yet terminated	

- 4. Refresh, self refresh, and MRW commands can only be issued when all banks are idle.
- 5. The states listed below must not be interrupted by any executable command. NOP commands must be applied during each clock cycle while in these states:

State	Starts with...	Ends when...	Notes
Idle MR reading	Registration of the MRR command	$t_{MRR}$ is met	After $t_{MRR}$ is met, the device is in the all banks idle state.
Resetting MR reading	Registration of the MRR command	$t_{MRR}$ is met	After $t_{MRR}$ is met, the device is in the all banks reset state.
Active MR reading	Registration of the MRR command	$t_{MRR}$ is met	After $t_{MRR}$ is met, the bank is in the active state.
MR writing	Registration of the MRW command	$t_{MRW}$ is met	After $t_{MRW}$ is met, the device is in the all banks idle state.

- 6.  $t_{RRD}$  must be met between the ACTIVATE command to bank  $n$  and any subsequent ACTIVATE command to bank  $m$ .
- 7. READs or WRITEs listed in the command column include READs and WRITEs with or without auto precharge enabled.
- 8. This command may or may not be bank-specific. If all banks are being precharged, they must be in a valid state for precharging.
- 9. MRR is supported in the row-activating state.
- 10. MRR is supported in the precharging state.
- 11. The next state for bank  $m$  depends on the current state of bank  $m$  (idle, row-activating, precharging, or active).
- 12. A WRITE command can be issued only after the completion of the READ burst.
- 13. A READ command can be issued only after the completion of the WRITE burst.
- 14. A READ with auto precharge enabled or a WRITE with auto precharge enabled can be followed by any valid command to other banks, provided that the timing restrictions in the PRECHARGE and Auto Precharge Clarification table are met.
- 15. Not bank-specific; requires that all banks are idle and no bursts are in progress.
- 16. RESET command is achieved through the MODE REGISTER WRITE command.

**Table 63: DM Truth Table**

Functional Name	DM	DQ	Notes
Write enable	L	Valid	1
Write inhibit	H	X	1

Note: 1. Used to mask write data; provided simultaneously with the corresponding input data.

## Absolute Maximum Ratings

Stresses greater than those listed may cause permanent damage to the device. This is a stress rating only, and functional operation of the device at these conditions, or any other conditions outside those indicated in the operational sections of this document, is not implied. Exposure to absolute maximum rating conditions for extended periods may adversely affect reliability.

**Table 64: Absolute Maximum DC Ratings**

Parameter	Symbol	Min	Max	Unit	Notes
V <sub>DD1</sub> supply voltage relative to V <sub>SS</sub>	V <sub>DD1</sub>	-0.4	2.3	V	1
V <sub>DD2</sub> supply voltage relative to V <sub>SS</sub>	V <sub>DD2</sub>	-0.4	1.6	V	1
V <sub>DDCA</sub> supply voltage relative to V <sub>SSCA</sub>	V <sub>DDCA</sub>	-0.4	1.6	V	1, 2
V <sub>DDQ</sub> supply voltage relative to V <sub>SSQ</sub>	V <sub>DDQ</sub>	-0.4	1.6	V	1, 3
Voltage on any ball relative to V <sub>SS</sub>	V <sub>IN</sub> , V <sub>OUT</sub>	-0.4	1.6	V	
Storage temperature	T <sub>STG</sub>	-55	125	°C	4

- Notes:
1. For information about relationships between power supplies, see the Power-Up and Initialization section.
  2.  $V_{REFCA} \leq 0.6 \times V_{DDCA}$ ; however,  $V_{REFCA}$  may be  $\geq V_{DDCA}$ , provided that  $V_{REFCA} \leq 300\text{mV}$ .
  3.  $V_{REFDQ} \leq 0.7 \times V_{DDQ}$ ; however,  $V_{REFDQ}$  may be  $\geq V_{DDQ}$ , provided that  $V_{REFDQ} \leq 300\text{mV}$ .
  4. Storage temperature is the case surface temperature on the center/top side of the device. For measurement conditions, refer to the JESD51-2 standard.

## Electrical Specifications – I<sub>DD</sub> Measurements and Conditions

The following definitions and conditions are used in the I<sub>DD</sub> measurement tables unless stated otherwise:

- LOW:  $V_{IN} \leq V_{IL(DC)max}$
- HIGH:  $V_{IN} \geq V_{IH(DC)min}$
- STABLE: Inputs are stable at a HIGH or LOW level
- SWITCHING: See the following three tables

**Table 65: Switching for CA Input Signals**

	CK_t (Rising)/ CK_c (Falling)	CK_t (Falling)/ CK_c (Rising)	CK_t (Rising)/ CK_c (Falling)	CK_t (Falling)/ CK_c (Rising)	CK_t (Rising)/ CK_c (Falling)	CK_t (Falling)/ CK_c (Rising)	CK_t (Rising)/ CK_c (Falling)	CK_t (Falling)/ CK_c (Rising)
Cycle	N		N + 1		N + 2		N + 3	
CS_n	HIGH		HIGH		HIGH		HIGH	
CA0	H	L	L	L	L	H	H	H
CA1	H	H	H	L	L	L	L	H
CA2	H	L	L	L	L	H	H	H
CA3	H	H	H	L	L	L	L	H
CA4	H	L	L	L	L	H	H	H
CA5	H	H	H	L	L	L	L	H
CA6	H	L	L	L	L	H	H	H
CA7	H	H	H	L	L	L	L	H
CA8	H	L	L	L	L	H	H	H
CA9	H	H	H	L	L	L	L	H

- Notes:
1. CS\_n must always be driven HIGH.
  2. For each clock cycle, 50% of the CA bus is changing between HIGH and LOW.
  3. The noted pattern (N, N + 1, N + 2, N + 3...) is used continuously during I<sub>DD</sub> measurement for I<sub>DD</sub> values that require switching on the CA bus.

**Table 66: Switching for I<sub>DD4R</sub>**

Clock	CKE	CS_n	Clock Cycle Number	Command	CA[2:0]	CA[9:3]	All DQ
Rising	H	L	N	Read_Rising	HLH	LHLHLHL	L
Falling	H	L	N	Read_Falling	LLL	LLLLLLL	L
Rising	H	H	N + 1	NOP	LLL	LLLLLLL	H
Falling	H	H	N + 1	NOP	LLL	LLLLLLL	L
Rising	H	H	N + 2	NOP	LLL	LLLLLLL	H
Falling	H	H	N + 2	NOP	LLL	LLLLLLL	H
Rising	H	H	N + 3	NOP	LLL	LLLLLLL	H
Falling	H	H	N + 3	NOP	HLH	LHLLHLH	L





**Table 66: Switching for I<sub>DD4R</sub> (Continued)**

Clock	CKE	CS_n	Clock Cycle Number	Command	CA[2:0]	CA[9:3]	All DQ
Rising	H	L	N + 4	Read_Rising	HLH	LHLLHLH	H
Falling	H	L	N + 4	Read_Falling	HHL	HHHHHHH	H
Rising	H	H	N + 5	NOP	HHH	HHHHHHH	H
Falling	H	H	N + 5	NOP	HHH	HHHHHHH	L
Rising	H	H	N + 6	NOP	HHH	HHHHHHH	L
Falling	H	H	N + 6	NOP	HHH	HHHHHHH	L
Rising	H	H	N + 7	NOP	HHH	HHHHHHH	H
Falling	H	H	N + 7	NOP	HLH	LHLHLHL	L

- Notes: 1. Data strobe (DQS\_t) is changing between HIGH and LOW with every clock cycle.  
2. The noted pattern (N, N + 1...) is used continuously during I<sub>DD</sub> measurement for I<sub>DD4R</sub>.

**Table 67: Switching for I<sub>DD4W</sub>**

Clock	CKE	CS_n	Clock Cycle Number	Command	CA[2:0]	CA[9:3]	All DQ
Rising	H	L	N	Write_Rising	LLH	LHLHLHL	L
Falling	H	L	N	Write_Falling	LLL	LLLLLLL	L
Rising	H	H	N + 1	NOP	LLL	LLLLLLL	H
Falling	H	H	N + 1	NOP	LLL	LLLLLLL	L
Rising	H	H	N + 2	NOP	LLL	LLLLLLL	H
Falling	H	H	N + 2	NOP	LLL	LLLLLLL	H
Rising	H	H	N + 3	NOP	LLL	LLLLLLL	H
Falling	H	H	N + 3	NOP	LLH	LHLLHLH	L
Rising	H	L	N + 4	Write_Rising	LLH	LHLLHLH	H
Falling	H	L	N + 4	Write_Falling	HHL	HHHHHHH	H
Rising	H	H	N + 5	NOP	HHH	HHHHHHH	H
Falling	H	H	N + 5	NOP	HHH	HHHHHHH	L
Rising	H	H	N + 6	NOP	HHH	HHHHHHH	L
Falling	H	H	N + 6	NOP	HHH	HHHHHHH	L
Rising	H	H	N + 7	NOP	HHH	HHHHHHH	H
Falling	H	H	N + 7	NOP	LLH	LHLHLHL	L

- Notes: 1. Data strobe (DQS\_t) is changing between HIGH and LOW with every clock cycle.  
2. Data masking (DM) must always be driven LOW.  
3. The noted pattern (N, N + 1...) is used continuously during I<sub>DD</sub> measurement for I<sub>DD4W</sub>.



# 178-Ball, Single-Channel Mobile LPDDR3 SDRAM Electrical Specifications – I<sub>DD</sub> Measurements and Conditions

## I<sub>DD</sub> Specifications

I<sub>DD</sub> values are for the entire operating voltage range, and all of them are for the entire standard range, with the exception of I<sub>DD6ET</sub>, which is for the entire extended temperature range.

**Table 68: I<sub>DD</sub> Specification Parameters and Operating Conditions**

V<sub>DD2</sub>, V<sub>DDQ</sub>, V<sub>DDCA</sub> = 1.14–1.30V; V<sub>DD1</sub> = 1.70–1.95V  
Notes 1, 2, 3, and 5 apply to entire table; Note 4 applies to all "in" values

Parameter/Condition	Symbol	Power Supply	Notes
<b>Operating one bank active-precharge current:</b> $t_{CK} = t_{CK}$ (MIN); $t_{RC} = t_{RC}$ (MIN); CKE is HIGH; CS <sub>n</sub> is HIGH between valid commands; CA bus inputs are switching; Data bus inputs are stable; ODT is disabled	I <sub>DD01</sub>	V <sub>DD1</sub>	
	I <sub>DD02</sub>	V <sub>DD2</sub>	
	I <sub>DD0,in</sub>	V <sub>DDCA</sub> , V <sub>DDQ</sub>	2
<b>Idle power-down standby current:</b> $t_{CK} = t_{CK}$ (MIN); CKE is LOW; CS <sub>n</sub> is HIGH; All banks are idle; CA bus inputs are switching; Data bus inputs are stable; ODT is disabled	I <sub>DD2P1</sub>	V <sub>DD1</sub>	
	I <sub>DD2P2</sub>	V <sub>DD2</sub>	
	I <sub>DD2P,in</sub>	V <sub>DDCA</sub> , V <sub>DDQ</sub>	2
<b>Idle power-down standby current with clock stop:</b> CK <sub>t</sub> = LOW, CK <sub>c</sub> = HIGH; CKE is LOW; CS <sub>n</sub> is HIGH; All banks are idle; CA bus inputs are stable; Data bus inputs are stable; ODT is disabled	I <sub>DD2PS1</sub>	V <sub>DD1</sub>	
	I <sub>DD2PS2</sub>	V <sub>DD2</sub>	
	I <sub>DD2PS,in</sub>	V <sub>DDCA</sub> , V <sub>DDQ</sub>	2
<b>Idle non-power-down standby current:</b> $t_{CK} = t_{CK}$ (MIN); CKE is HIGH; CS <sub>n</sub> is HIGH; All banks are idle; CA bus inputs are switching; Data bus inputs are stable; ODT is disabled	I <sub>DD2N1</sub>	V <sub>DD1</sub>	
	I <sub>DD2N2</sub>	V <sub>DD2</sub>	
	I <sub>DD2N,in</sub>	V <sub>DDCA</sub> , V <sub>DDQ</sub>	2
<b>Idle non-power-down standby current with clock stopped:</b> CK <sub>t</sub> = LOW; CK <sub>c</sub> = HIGH; CKE is HIGH; CS <sub>n</sub> is HIGH; All banks are idle; CA bus inputs are stable; Data bus inputs are stable; ODT is disabled	I <sub>DD2NS1</sub>	V <sub>DD1</sub>	
	I <sub>DD2NS2</sub>	V <sub>DD2</sub>	
	I <sub>DD2NS,in</sub>	V <sub>DDCA</sub> , V <sub>DDQ</sub>	2
<b>Active power-down standby current:</b> $t_{CK} = t_{CK}$ (MIN); CKE is LOW; CS <sub>n</sub> is HIGH; One bank is active; CA bus inputs are switching; Data bus inputs are stable; ODT is disabled	I <sub>DD3P1</sub>	V <sub>DD1</sub>	
	I <sub>DD3P2</sub>	V <sub>DD2</sub>	
	I <sub>DD3P,in</sub>	V <sub>DDCA</sub> , V <sub>DDQ</sub>	2
<b>Active power-down standby current with clock stop:</b> CK <sub>t</sub> = LOW, CK <sub>c</sub> = HIGH; CKE is LOW; CS <sub>n</sub> is HIGH; One bank is active; CA bus inputs are stable; Data bus inputs are stable; ODT is disabled	I <sub>DD3PS1</sub>	V <sub>DD1</sub>	
	I <sub>DD3PS2</sub>	V <sub>DD2</sub>	
	I <sub>DD3PS,in</sub>	V <sub>DDCA</sub> , V <sub>DDQ</sub>	3
<b>Active non-power-down standby current:</b> $t_{CK} = t_{CK}$ (MIN); CKE is HIGH; CS <sub>n</sub> is HIGH; One bank is active; CA bus inputs are switching; Data bus inputs are stable; ODT is disabled	I <sub>DD3N1</sub>	V <sub>DD1</sub>	
	I <sub>DD3N2</sub>	V <sub>DD2</sub>	
	I <sub>DD3N,in</sub>	V <sub>DDCA</sub> , V <sub>DDQ</sub>	3
<b>Active non-power-down standby current with clock stopped:</b> CK <sub>t</sub> = LOW, CK <sub>c</sub> = HIGH; CKE is HIGH; CS <sub>n</sub> is HIGH; One bank is active; CA bus inputs are stable; Data bus inputs are stable; ODT is disabled	I <sub>DD3NS1</sub>	V <sub>DD1</sub>	
	I <sub>DD3NS2</sub>	V <sub>DD2</sub>	
	I <sub>DD3NS,in</sub>	V <sub>DDCA</sub> , V <sub>DDQ</sub>	3



# 178-Ball, Single-Channel Mobile LPDDR3 SDRAM Electrical Specifications – I<sub>DD</sub> Measurements and Conditions

**Table 68: I<sub>DD</sub> Specification Parameters and Operating Conditions (Continued)**

V<sub>DD2</sub>, V<sub>DDQ</sub>, V<sub>DDCA</sub> = 1.14–1.30V; V<sub>DD1</sub> = 1.70–1.95V  
Notes 1, 2, 3, and 5 apply to entire table; Note 4 applies to all "in" values

Parameter/Condition	Symbol	Power Supply	Notes
<b>Operating burst READ current:</b> t <sub>CK</sub> = t <sub>CK</sub> (MIN); CS <sub>n</sub> is HIGH between valid commands; One bank is active; BL = 8; RL = RL (MIN); CA bus inputs are switching; 50% data change each burst transfer; ODT is disabled	I <sub>DD4R1</sub>	V <sub>DD1</sub>	
	I <sub>DD4R2</sub>	V <sub>DD2</sub>	
	I <sub>DD4R,in</sub>	V <sub>DDCA</sub>	
<b>Operating burst WRITE current:</b> t <sub>CK</sub> = t <sub>CK</sub> (MIN); CS <sub>n</sub> is HIGH between valid commands; One bank is active; BL = 8; WL = WL (MIN); CA bus inputs are switching; 50% data change each burst transfer; ODT is disabled	I <sub>DD4W1</sub>	V <sub>DD1</sub>	
	I <sub>DD4W2</sub>	V <sub>DD2</sub>	
	I <sub>DD4W,in</sub>	V <sub>DDCA</sub> , V <sub>DDQ</sub>	3
<b>All-bank REFRESH burst current:</b> t <sub>CK</sub> = t <sub>CK</sub> (MIN); CKE is HIGH between valid commands; t <sub>RC</sub> = t <sub>RFCab</sub> (MIN); Burst refresh; CA bus inputs are switching; Data bus inputs are stable; ODT is disabled	I <sub>DD51</sub>	V <sub>DD1</sub>	
	I <sub>DD52</sub>	V <sub>DD2</sub>	
	I <sub>DD5,in</sub>	V <sub>DDCA</sub> , V <sub>DDQ</sub>	3
<b>All-bank REFRESH average current:</b> t <sub>CK</sub> = t <sub>CK</sub> (MIN); CKE is HIGH between valid commands; t <sub>RC</sub> = t <sub>REFI</sub> ; CA bus inputs are switching; Data bus inputs are stable; ODT is disabled	I <sub>DD5AB1</sub>	V <sub>DD1</sub>	
	I <sub>DD5AB2</sub>	V <sub>DD2</sub>	
	I <sub>DD5AB,in</sub>	V <sub>DDCA</sub> , V <sub>DDQ</sub>	3
<b>Per-bank REFRESH average current:</b> t <sub>CK</sub> = t <sub>CK</sub> (MIN); CKE is HIGH between valid commands; t <sub>RC</sub> = t <sub>REFI</sub> /8; CA bus inputs are switching; Data bus inputs are stable; ODT is disabled	I <sub>DD5PB1</sub>	V <sub>DD1</sub>	
	I <sub>DD5PB2</sub>	V <sub>DD2</sub>	
	I <sub>DD5PB,in</sub>	V <sub>DDCA</sub> , V <sub>DDQ</sub>	3
<b>Self refresh current (–30°C to +85°C):</b> CK <sub>t</sub> = LOW, CK <sub>c</sub> = HIGH; CKE is LOW; CA bus inputs are stable; Data bus inputs are stable; Maximum 1x self refresh rate; ODT is disabled	I <sub>DD61</sub>	V <sub>DD1</sub>	4, 5
	I <sub>DD62</sub>	V <sub>DD2</sub>	4, 5
	I <sub>DD6,in</sub>	V <sub>DDCA</sub> , V <sub>DDQ</sub>	3, 4
<b>Self refresh current (+85°C to +105°C):</b> CK <sub>t</sub> = LOW, CK <sub>c</sub> = HIGH; CKE is LOW; CA bus inputs are stable; Data bus inputs are stable; ODT is disabled	I <sub>DD6ET1</sub>	V <sub>DD1</sub>	5, 6
	I <sub>DD6ET2</sub>	V <sub>DD2</sub>	5, 6
	I <sub>DD6ET,in</sub>	V <sub>DDCA</sub> , V <sub>DDQ</sub>	3, 5, 6
<b>Deep power-down current:</b> CK <sub>t</sub> = LOW, CK <sub>c</sub> = HIGH; CKE is LOW; CA bus inputs are stable; Data bus inputs are stable; ODT is disabled	I <sub>DD81</sub>	V <sub>DD1</sub>	
	I <sub>DD82</sub>	V <sub>DD2</sub>	
	I <sub>DD8,in</sub>	V <sub>DDCA</sub> , V <sub>DDQ</sub>	3

- Notes:
1. ODT disabled: MR11[2:0] = 000b.
  2. I<sub>DD</sub> current specifications are tested after the device is properly initialized.
  3. Measured currents are the summation of V<sub>DDQ</sub> and V<sub>DDCA</sub>.
  4. The 1x self refresh rate is the rate at which the device is refreshed internally during self refresh before going into the elevated temperature range.
  5. This is the general definition that applies to full-array self-refresh.
  6. I<sub>DD6ET</sub> is a typical value, is sampled only, and is not tested.
  7. For all I<sub>DD</sub> measurements, V<sub>IHCKE</sub> = 0.8 × V<sub>DDCA</sub>; V<sub>ILCKE</sub> = 0.2 × V<sub>DDCA</sub>.

## AC and DC Operating Conditions

Operation or timing that is not specified is illegal. To ensure proper operation, the device must be initialized properly.

**Table 69: Recommended DC Operating Conditions**

Note 1 applies to entire table

Symbol	Min	Typ	Max	DRAM	Unit	Notes
$V_{DD1}$	1.70	1.80	1.95	Core power 1	V	2
$V_{DD2}$	1.14	1.20	1.30	Core power 2	V	
$V_{DDCA}$	1.14	1.20	1.30	Input buffer power	V	
$V_{DDQ}$	1.14	1.20	1.30	I/O buffer power	V	

- Notes:
1. The voltage range is for DC voltage only. DC is defined as the voltage supplied at the DRAM and is inclusive of all noise up to 1 MHz at the DRAM package ball.
  2.  $V_{DD1}$  uses significantly less power than  $V_{DD2}$ .

**Table 70: Input Leakage Current**

Parameter/Condition	Symbol	Min	Max	Unit	Notes
<b>Input leakage current:</b> For CA, CKE, CS_n, CK; Any input $0V \leq V_{IN} \leq V_{DDCA}$ ; (All other pins not under test = 0V)	$I_I$	-2	2	$\mu A$	1
<b><math>V_{REF}</math> supply leakage current:</b> $V_{REFDQ} = V_{DDQ}/2$ , or $V_{REF-CA} = V_{DDCA}/2$ ; (All other pins not under test = 0V)	$I_{VREF}$	-1	1	$\mu A$	2

- Notes:
1. Although DM is for input only, the DM leakage must match the DQ and DQS output leakage specification.
  2. The minimum limit requirement is for testing purposes. The leakage current on  $V_{REFCA}$  and  $V_{REFDQ}$  pins should be minimal.

**Table 71: Operating Temperature Range**

Notes 1 and 2 apply to entire table

Parameter/Condition	Symbol	Min	Max	Unit
Standard (WT) temperature range	$T_{CASE}^1$	-30	85	$^{\circ}C$
Wide temperature range		-30	105	$^{\circ}C$

- Notes:
1. Operating temperature is the case surface temperature at the center of the top side of the device. For measurement conditions, refer to the JESD51-2 standard.
  2. Either the device operating temperature or the temperature sensor can be used to set an appropriate refresh rate, determine the need for AC timing derating, and/or monitor the operating temperature (see Temperature Sensor). When using the temperature sensor, the actual device case temperature may be higher than the  $T_{CASE}$  rating that applies for the operating temperature range. For example,  $T_{CASE}$  could be above +85 $^{\circ}C$  when the temperature sensor indicates a temperature of less than +85 $^{\circ}C$ .



## AC and DC Logic Input Measurement Levels for Single-Ended Signals

**Table 72: Single-Ended AC and DC Input Levels for CA and CS<sub>n</sub> Inputs**

Parameter	Symbol	1333/1600		1866/2133		Unit	Notes
		Min	Max	Min	Max		
AC input logic HIGH	V <sub>IHCA(AC)</sub>	V <sub>REF</sub> + 0.150	Note 2	V <sub>REF</sub> + 0.135	Note 2	V	1, 2
AC input logic LOW	V <sub>ILCA(AC)</sub>	Note 2	V <sub>REF</sub> - 0.150	Note 2	V <sub>REF</sub> - 0.135	V	1, 2
DC input logic HIGH	V <sub>IHCA(DC)</sub>	V <sub>REF</sub> + 0.100	V <sub>DDCA</sub>	V <sub>REF</sub> + 0.100	V <sub>DDCA</sub>	V	1
DC input logic LOW	V <sub>ILCA(DC)</sub>	V <sub>SSCA</sub>	V <sub>REF</sub> - 0.100	V <sub>SSCA</sub>	V <sub>REF</sub> - 0.100	V	1
Reference voltage for CA and CS <sub>n</sub> inputs	V <sub>REFCA(DC)</sub>	0.49 × V <sub>DDCA</sub>	0.51 × V <sub>DDCA</sub>	0.49 × V <sub>DDCA</sub>	0.51 × V <sub>DDCA</sub>	V	3, 4

- Notes:
1. For CA and CS<sub>n</sub> input-only pins. V<sub>REF</sub> = V<sub>REFCA(DC)</sub>.
  2. See figure: Overshoot and Undershoot Definition.
  3. The AC peak noise on V<sub>REFCA</sub> could prevent V<sub>REFCA</sub> from deviating more than ±1% V<sub>DDCA</sub> from V<sub>REFCA(DC)</sub> (for reference, approximately ±12mV).
  4. For reference, approximately V<sub>DDCA</sub>/2 ±12mV.

**Table 73: Single-Ended AC and DC Input Levels for CKE**

Parameter	Symbol	Min	Max	Unit	Notes
CKE input HIGH level	V <sub>IHCKE</sub>	0.65 × V <sub>DDCA</sub>	Note 1	V	1
CKE input LOW level	V <sub>ILCKE</sub>	Note 1	0.35 × V <sub>DDCA</sub>	V	1

- Note:
1. See figure: Overshoot and Undershoot Definition.

**Table 74: Single-Ended AC and DC Input Levels for DQ and DM**

Parameter	Symbol	1333/1600		1866/2133		Unit	Notes
		Min	Max	Min	Max		
AC input logic HIGH	V <sub>IHDQ(AC)</sub>	V <sub>REF</sub> + 0.150	Note 2	V <sub>REF</sub> + 0.135	Note 2	V	1, 2, 5
AC input logic LOW	V <sub>ILDQ(AC)</sub>	Note 2	V <sub>REF</sub> - 0.150	Note 2	V <sub>REF</sub> - 0.135	V	1, 2, 5
DC input logic HIGH	V <sub>IHDQ(DC)</sub>	V <sub>REF</sub> + 0.100	V <sub>DDQ</sub>	V <sub>REF</sub> + 0.100	V <sub>DDQ</sub>	V	1
DC input logic LOW	V <sub>ILDQ(DC)</sub>	V <sub>SSQ</sub>	V <sub>REF</sub> - 0.100	V <sub>SSQ</sub>	V <sub>REF</sub> - 0.100	V	1
Reference voltage for DQ and DM inputs	V <sub>REFDQ(DC)</sub>	0.49 × V <sub>DDQ</sub>	0.51 × V <sub>DDQ</sub>	0.49 × V <sub>DDQ</sub>	0.51 × V <sub>DDQ</sub>	V	3, 4
Reference voltage for DQ and DM inputs (DQ ODT enabled)	V <sub>REFDQ(DC)</sub> DQODT <sub>enabled</sub>	V <sub>ODTR</sub> /2 - 0.01 × V <sub>DDQ</sub>	V <sub>ODTR</sub> /2 + 0.01 × V <sub>DDQ</sub>	V <sub>ODTR</sub> /2 - 0.01 × V <sub>DDQ</sub>	V <sub>ODTR</sub> /2 + 0.01 × V <sub>DDQ</sub>	V	3, 5, 6

- Notes:
1. For DQ input-only pins. V<sub>REF</sub> = V<sub>REFDQ(DC)</sub>.
  2. See figure: Overshoot and Undershoot Definition.
  3. The AC peak noise on V<sub>REFDQ</sub> could prevent V<sub>REFDQ</sub> from deviating more than ±1% V<sub>DDQ</sub> from V<sub>REFDQ(DC)</sub> (for reference, approximately ±12mV).

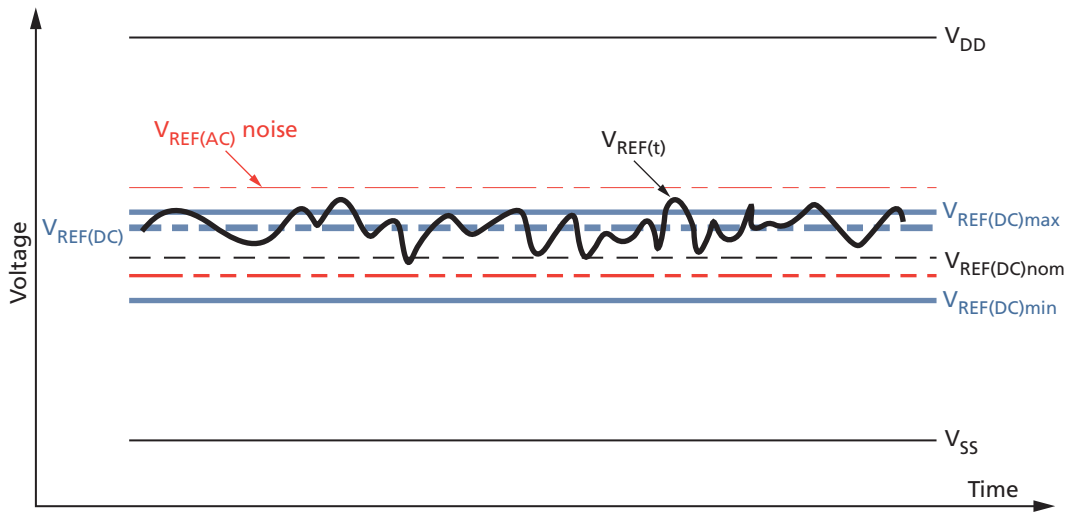
4. For reference, approximately  $V_{DDQ}/2 \pm 12\text{mV}$ .
5. For reference, approximately  $V_{ODTR}/2 \pm 12\text{mV}$ .
6. The nominal mode register programmed values for  $R_{ODT}$  and the nominal controller output impedance  $R_{ON}$  are used for the calculation of  $V_{ODTR}$ . For testing purposes, a controller  $R_{ON}$  value of  $50\Omega$  is used.

$$V_{ODTR} = \frac{2R_{ON} + R_{TT}}{R_{ON} + R_{TT}} \times V_{DDQ}$$

### $V_{REF}$ Tolerances

The DC tolerance limits and AC noise limits for the reference voltages  $V_{REFCA}$  and  $V_{REFDQ}$  are shown below. This figure shows a valid reference voltage  $V_{REF}(t)$  as a function of time.  $V_{DD}$  is used in place of  $V_{DDCA}$  for  $V_{REFCA}$ , and  $V_{DDQ}$  for  $V_{REFDQ}$ .  $V_{REF(DC)}$  is the linear average of  $V_{REF}(t)$  over a very long period of time (for example, 1 second), and is specified as a fraction of the linear average of  $V_{DDQ}$  or  $V_{DDCA}$ , also over a very long period of time (for example, 1 second). This average must meet the MIN/MAX requirements in the table: Single-Ended AC and DC Input Levels for CA and CS\_n Inputs. Additionally,  $V_{REF}(t)$  can temporarily deviate from  $V_{REF(DC)}$  by no more than  $\pm 1\% V_{DD}$ .  $V_{REF}(t)$  cannot track noise on  $V_{DDQ}$  or  $V_{DDCA}$  if doing so would force  $V_{REF}$  outside these specifications.

**Figure 71:  $V_{REF}$  DC Tolerance and  $V_{REF}$  AC Noise Limits**



The voltage levels for setup and hold time measurements  $V_{IH(AC)}$ ,  $V_{IH(DC)}$ ,  $V_{IL(AC)}$ , and  $V_{IL(DC)}$  are dependent on  $V_{REF}$ .  $V_{REF}$  shall be understood as  $V_{REF(DC)}$ , as defined in the Single-Ended Requirements for Differential Signals figure.

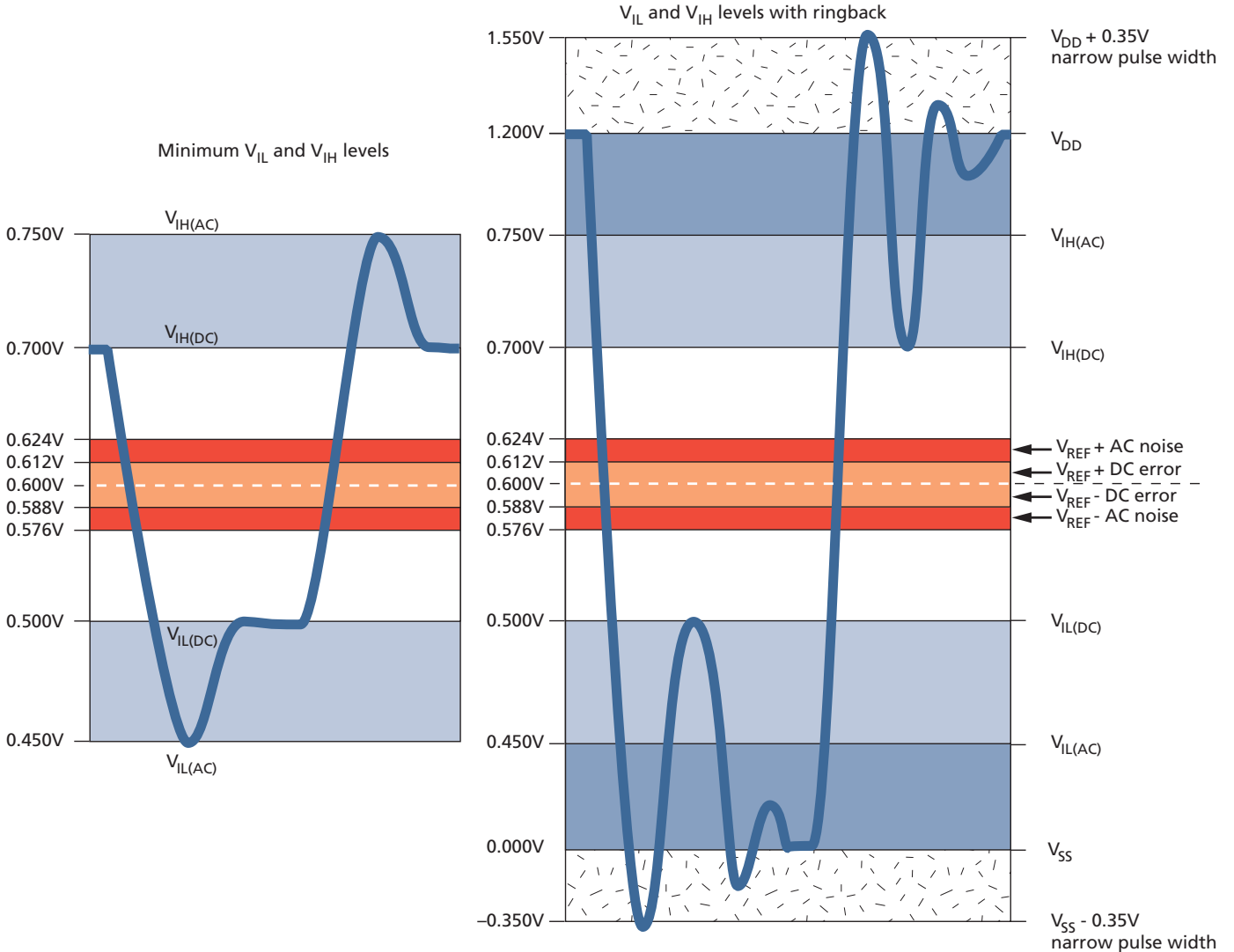
$V_{REF}$  DC variations affect the absolute voltage a signal must reach to achieve a valid HIGH or LOW, as well as the time from which setup and hold times are measured.

System timing and voltage budgets must account for  $V_{REF}$  deviations outside this range.

The setup/hold specification and derating values must include time and voltage associated with  $V_{REF}$  AC noise. Timing and voltage effects due to AC noise on  $V_{REF}$  up to the specified limit ( $\pm 1\% V_{DD}$ ) are included in device timings and associated deratings.

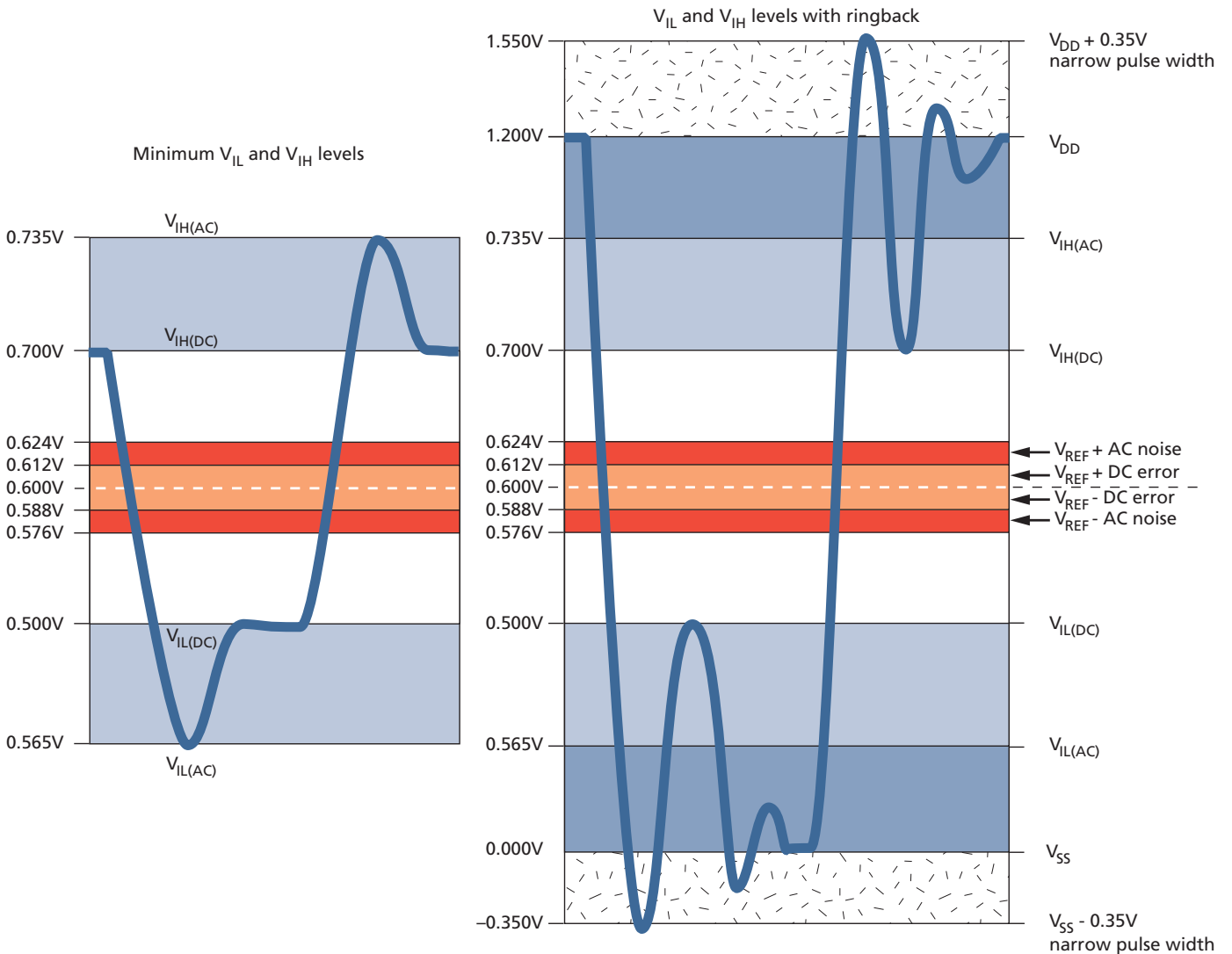
## Input Signal

Figure 72: LPDDR3-1600 to LPDDR3-1333 Input Signal



- Notes:
1. Numbers reflect typical values.
  2. For CA[9:0], CK, and CS\_n,  $V_{DD}$  stands for  $V_{DDCA}$ . For DQ, DM, DQS, and ODT,  $V_{DD}$  stands for  $V_{DDQ}$ .
  3. For CA[9:0], CK, and CS\_n,  $V_{SS}$  stands for  $V_{SSCA}$ . For DQ, DM, DQS, and ODT,  $V_{SS}$  stands for  $V_{SSQ}$ .

**Figure 73: LPDDR3-2133 to LPDDR3-1866 Input Signal**



- Notes:
1. Numbers reflect typical values.
  2. For CA[9:0], CK, and CS\_n,  $V_{DD}$  stands for  $V_{DDCA}$ . For DQ, DM, DQS, and ODT,  $V_{DD}$  stands for  $V_{DDQ}$ .
  3. For CA[9:0], CK, and CS\_n,  $V_{SS}$  stands for  $V_{SSCA}$ . For DQ, DM, DQS, and ODT,  $V_{SS}$  stands for  $V_{SSQ}$ .



## AC and DC Logic Input Measurement Levels for Differential Signals

Figure 74: Differential AC Swing Time and  $t_{DVAC}$

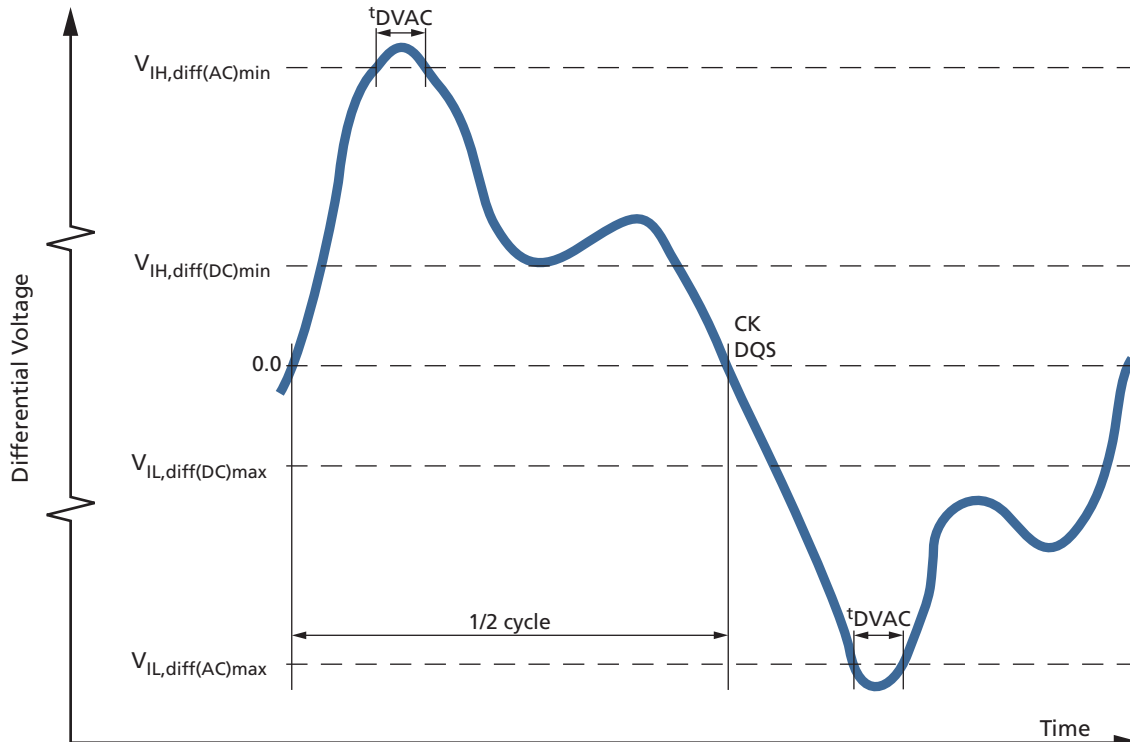


Table 75: Differential AC and DC Input Levels

For CK,  $V_{REF} = V_{REFCA(DC)}$ ; For DQS,  $V_{REF} = V_{REFDQ(DC)}$

Parameter	Symbol	LPDDR3		Unit	Notes
		Min	Max		
Differential input HIGH AC	$V_{IH,diff(AC)}$	$2 \times (V_{IH(AC)} - V_{REF})$	Note 1	V	2
Differential input LOW AC	$V_{IL,diff(AC)}$	Note 1	$2 \times (V_{IL(AC)} - V_{REF})$	V	2
Differential input HIGH DC	$V_{IH,diff(DC)}$	$2 \times (V_{IH(DC)} - V_{REF})$	Note 1	V	3
Differential input LOW DC	$V_{IL,diff(DC)}$	Note 1	$2 \times (V_{IL(DC)} - V_{REF})$	V	3

- Notes:
1. These values are not defined; however, the single-ended signals CK and DQS must be within the respective limits ( $V_{IH(DC)max}$ ,  $V_{IL(DC)min}$ ) for single-ended signals, and must comply with the specified limitations for overshoot and undershoot (see figure: Overshoot and Undershoot Definition).
  2. For CK, use  $V_{IH}/V_{IL(AC)}$  of CA and  $V_{REFCA}$ ; for DQS, use  $V_{IH}/V_{IL(AC)}$  of DQ and  $V_{REFDQ}$ . If a reduced AC HIGH or AC LOW is used for a signal group, the reduced voltage level also applies.
  3. Used to define a differential signal slew rate.

**Table 76: CK and DQS Time Requirements Before Ringback ( $t_{DVAC}$ )**

Slew Rate (V/ns)	$t_{DVAC}$ (ps) @ $V_{IH}/V_{IL,diff(AC)} = 300mV1333$ Mb/s		$t_{DVAC}$ (ps) @ $V_{IH}/V_{IL,diff(AC)} = 300mV1600$ Mb/s		$t_{DVAC}$ (ps) @ $V_{IH}/V_{IL,diff(AC)} = 270mV1866$ Mb/s		$t_{DVAC}$ (ps) @ $V_{IH}/V_{IL,diff(AC)} = 270mV2133$ Mb/s	
	Min	Max	Min	Max	Min	Max	Min	Max
>8.0	58	–	48	–	40	–	34	–
8.0	58	–	48	–	40	–	34	–
7.0	56	–	46	–	39	–	33	–
6.0	53	–	43	–	36	–	30	–
5.0	50	–	40	–	33	–	27	–
4.0	45	–	35	–	29	–	23	–
3.0	37	–	27	–	21	–	15	–
<3.0	37	–	27	–	21	–	15	–

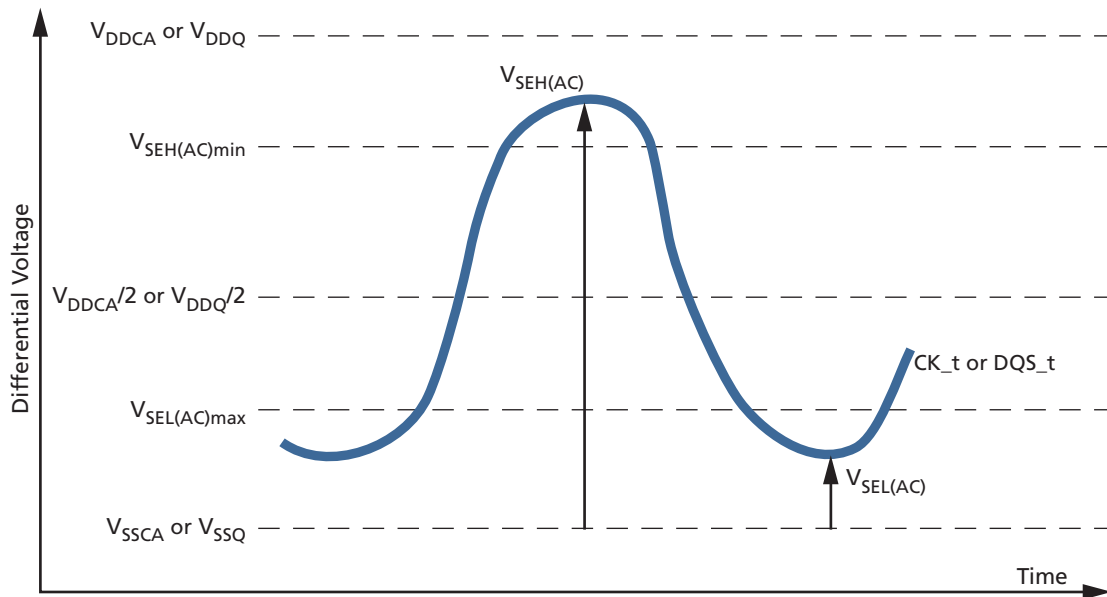
**Single-Ended Requirements for Differential Signals**

Each individual component of a differential signal (CK and DQS) must also comply with certain requirements for single-ended signals.

CK must meet  $V_{SEH(AC)min}/V_{SEL(AC)max}$  in every half cycle. DQS must meet  $V_{SEH(AC)min}/V_{SEL(AC)max}$  in every half cycle preceding and following a valid transition.

The applicable AC levels for CA and DQ differ by speed bin.

**Figure 75: Single-Ended Requirements for Differential Signals**



**Note:** While CA and DQ signal requirements are referenced to  $V_{REF}$ , the single-ended components of differential signals also have a requirement with respect to  $V_{DDQ}/2$  for DQS, and  $V_{DDCA}/2$  for CK.



# 178-Ball, Single-Channel Mobile LPDDR3 SDRAM AC and DC Logic Input Measurement Levels for Differential Signals

The transition of single-ended signals through the AC levels is used to measure setup time. For single-ended components of differential signals, the requirement to reach  $V_{SEL(AC)max}$  or  $V_{SEH(AC)min}$  has no bearing on timing; however, this requirement adds a restriction on the common mode characteristics of these signals (see tables: Single-Ended AC and DC Input Levels for CA and CS\_n Inputs; Single-Ended AC and DC Input Levels for DQ and DM).

**Table 77: Single-Ended Levels for CK and DQS**

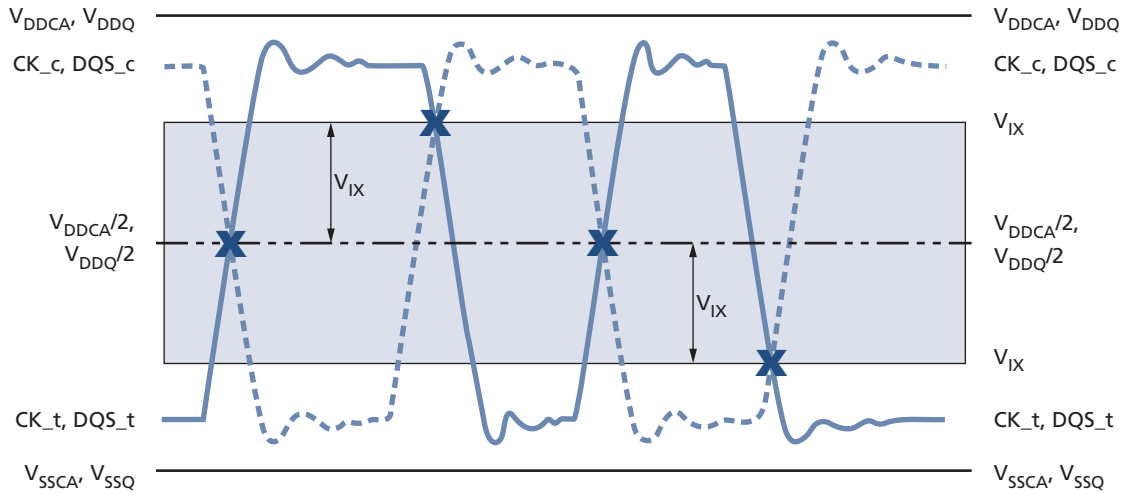
Parameter	Symbol	Value		Unit	Notes
		Min	Max		
Single-ended HIGH level for strobes	$V_{SEH(AC150)}$	$(V_{DDQ}/2) + 0.150$	Note 1	V	2, 3
Single-ended HIGH level for CK		$(V_{DDCA}/2) + 0.150$	Note 1	V	2, 3
Single-ended LOW level for strobes	$V_{SEL(AC150)}$	Note 1	$(V_{DDQ}/2) - 0.150$	V	2, 3
Single-ended LOW level for CK		Note 1	$(V_{DDCA}/2) - 0.150$	V	2, 3
Single-ended HIGH level for strobes	$V_{SEH(AC135)}$	$(V_{DDQ}/2) + 0.135$	Note 1	V	2, 3
Single-ended HIGH level for CK		$(V_{DDCA}/2) + 0.135$	Note 1	V	2, 3
Single-ended LOW level for strobes	$V_{SEL(AC135)}$	Note 1	$(V_{DDQ}/2) + 0.135$	V	2, 3
Single-ended LOW level for CK		Note 1	$(V_{DDCA}/2) + 0.135$	V	2, 3

- Notes:
1. These values are not defined; however, the single-ended signals CK and DQS[3:0] must be within the respective limits ( $V_{IH(DC)max}$ ,  $V_{IL(DC)min}$ ) for single-ended signals, and must comply with the specified limitations for overshoot and undershoot (see figure: Overshoot and Undershoot Definition).
  2. For CK, use  $V_{SEH}/V_{SEL(AC)}$  of CA; for strobes (DQS[3:0]), use  $V_{IH}/V_{IL(AC)}$  of DQ.
  3.  $V_{IH(AC)}$  and  $V_{IL(AC)}$  for DQ are based on  $V_{REFDQ}$ ;  $V_{SEH(AC)}$  and  $V_{SEL(AC)}$  for CA are based on  $V_{REFCA}$ . If a reduced AC HIGH or AC LOW is used for a signal group, the reduced level applies.

## Differential Input Crosspoint Voltage

To ensure tight setup and hold times, as well as output skew parameters with respect to clock and strobe, each crosspoint voltage of differential input signals (CK, CK\_c, DQS\_t, and DQS\_c) must meet the specifications in the table above. The differential input crosspoint voltage ( $V_{IX}$ ) is measured from the actual crosspoint of the true signal and its and complement to the midlevel between  $V_{DD}$  and  $V_{SS}$ .

**Figure 76:  $V_{IX}$  Definition**



**Table 78: Crosspoint Voltage for Differential Input Signals (CK, CK\_c, DQS\_t, DQS\_c)**

Parameter	Symbol	Min	Max	Unit	Notes
Differential input crosspoint voltage relative to $V_{DDCA}/2$ for CK	$V_{IXCA(AC)}$	-120	120	mV	1, 2
Differential input crosspoint voltage relative to $V_{DDQ}/2$ for DQS	$V_{IXDQ(AC)}$	-120	120	mV	1, 2

- Notes:
1. The typical value of  $V_{IX(AC)}$  is expected to be about  $0.5 \times V_{DD}$  of the transmitting device, and it is expected to track variations in  $V_{DD}$ .  $V_{IX(AC)}$  indicates the voltage at which differential input signals must cross.
  2. For CK,  $V_{REF} = V_{REFCA(DC)}$ . For DQS,  $V_{REF} = V_{REFDQ(DC)}$ .

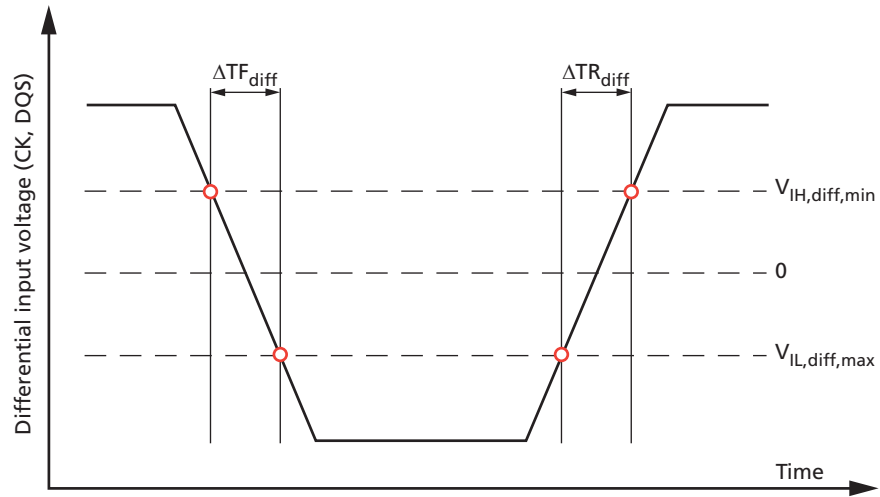
## Input Slew Rate

**Table 79: Differential Input Slew Rate Definition**

Description	Measured <sup>1</sup>		Defined By
	From	To	
Differential input slew rate for rising edge (CK and DQS)	$V_{IL,diff,max}$	$V_{IH,diff,min}$	$(V_{IH,diff,min} - V_{IL,diff,max}) / \Delta T_{R,diff}$
Differential input slew rate for falling edge (CK and DQS)	$V_{IH,diff,min}$	$V_{IL,diff,max}$	$(V_{IH,diff,min} - V_{IL,diff,max}) / \Delta T_{F,diff}$

- Note:
1. The differential signals (CK and DQS) must be linear between these thresholds.

**Figure 77: Differential Input Slew Rate Definition for CK and DQS**



## Output Characteristics and Operating Conditions

**Table 80: Single-Ended AC and DC Output Levels**

Parameter	Symbol	Value	Unit	Notes
AC output HIGH measurement level (for output slew rate)	$V_{OH(AC)}$	$V_{REF} + 0.12$	V	
AC output LOW measurement level (for output slew rate)	$V_{OL(AC)}$	$V_{REF} - 0.12$	V	
DC output HIGH measurement level (for I-V curve linearity)	$V_{OH(DC)}$	$0.9 \times V_{DDQ}$	V	1
DC output LOW measurement level (for I-V curve linearity)	$V_{OL(DC)}$	$0.1 \times V_{DDQ}$	V	2
DC output LOW measurement level (for I-V curve linearity); ODT enabled DQS_t	$V_{OL(DC)ODT,enabled}$	$V_{DDQ} \times \{0.1 + 0.9 \times [R_{ON} / (R_{TT} + R_{ON})]\}$	V	3
Output leakage current (DQ, DM, DQS); DQ, DQS are disabled; $0V \leq V_{OUT} \leq V_{DDQ}$	$I_{OZ}$	-5 (MIN)	$\mu A$	
		5 (MAX)		
Delta output impedance between pull-up and pull-down for DQ/DM	$MM_{PUPD}$	-15 (MIN)	%	
		15 (MAX)		

- Notes:
- $I_{OH} = -0.1mA$ .
  - $I_{OL} = 0.1mA$ .
  - The minimum value is derived when using  $R_{TT,min}$  and  $R_{ON,max}$  ( $\pm 30\%$  uncalibrated,  $\pm 15\%$  calibrated).

**Table 81: Differential AC and DC Output Levels**

Parameter	Symbol	Value	Unit	Notes
AC differential output HIGH measurement level (for output SR)	$V_{OH,diff(AC)}$	$0.2 \times V_{DDQ}$	V	1
AC differential output LOW measurement level (for output SR)	$V_{OL,diff(AC)}$	$-0.2 \times V_{DDQ}$	V	2

- Notes:
- $I_{OH} = -0.1mA$ .
  - $I_{OL} = 0.1mA$ .

### Single-Ended Output Slew Rate

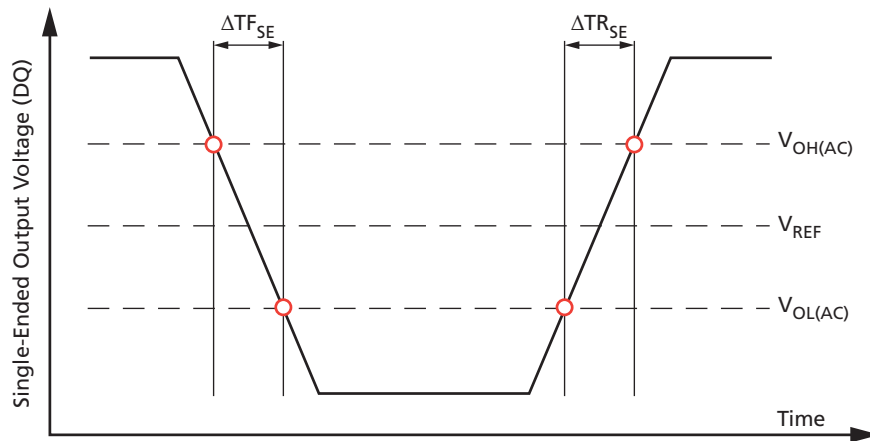
With the reference load for timing measurements, the output slew rate for falling and rising edges is defined and measured between  $V_{OL(AC)}$  and  $V_{OH(AC)}$  for single-ended signals.

**Table 82: Single-Ended Output Slew Rate Definition**

Description	Measured		Defined by
	From	To	
Single-ended output slew rate for rising edge	$V_{OL(AC)}$	$V_{OH(AC)}$	$[V_{OH(AC)} - V_{OL(AC)}] / \Delta TR_{SE}$
Single-ended output slew rate for falling edge	$V_{OH(AC)}$	$V_{OL(AC)}$	$[V_{OH(AC)} - V_{OL(AC)}] / \Delta TF_{SE}$

- Note:
- Output slew rate is verified by design and characterization and may not be subject to production testing.

**Figure 78: Single-Ended Output Slew Rate Definition**



**Table 83: Single-Ended Output Slew Rate**

Notes 1–5 apply to entire table

Parameter	Symbol	Value		Unit
		Min	Max	
Single-ended output slew rate (output impedance = 40Ω ±30%)	SRQ <sub>SE</sub>	1.5	4.0	V/ns
Output slew-rate-matching ratio (pull-up to pull-down)	–	0.7	1.4	–

- Notes:
1. Definitions: SR = Slew rate; Q = Query output (similar to DQ = Data-in, query output); SE = Single-ended signals.
  2. Measured with output reference load.
  3. The ratio of pull-up to pull-down slew rate is specified for the same temperature and voltage over the entire temperature and voltage range. For a given output, the ratio represents the maximum difference between pull-up and pull-down drivers due to process variation.
  4. The output slew rate for falling and rising edges is defined and measured between V<sub>OL(AC)</sub> and V<sub>OH(AC)</sub>.
  5. Slew rates are measured under typical simultaneous switching output (SSO) conditions, with one half of DQ signals per data byte driving HIGH and one half of DQ signals per data byte driving LOW.

## Differential Output Slew Rate

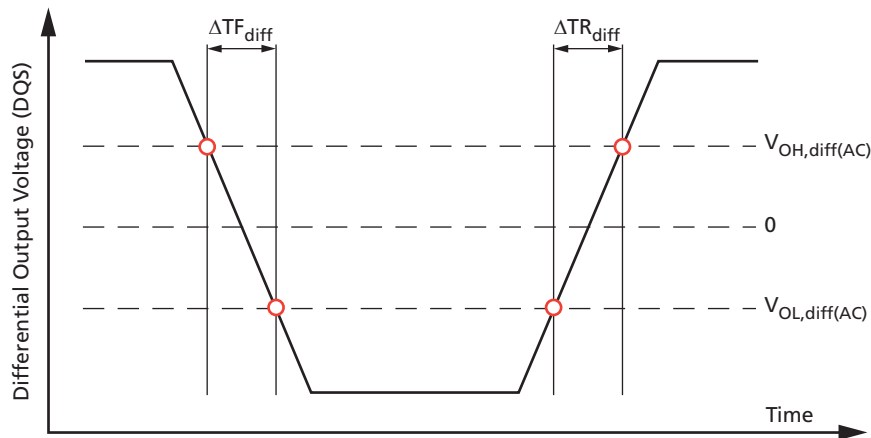
With the reference load for timing measurements, the output slew rate for falling and rising edges is defined and measured between  $V_{OL,diff(AC)}$  and  $V_{OH,diff(AC)}$  for differential signals.

**Table 84: Differential Output Slew Rate Definition**

Description	Measured		Defined by
	From	To	
Differential output slew rate for rising edge	$V_{OL,diff(AC)}$	$V_{OH,diff(AC)}$	$[V_{OH,diff(AC)} - V_{OL,diff(AC)}] / \Delta TR_{diff}$
Differential output slew rate for falling edge	$V_{OH,diff(AC)}$	$V_{OL,diff(AC)}$	$[V_{OH,diff(AC)} - V_{OL,diff(AC)}] / \Delta TF_{diff}$

Note: 1. Output slew rate is verified by design and characterization and may not be subject to production testing.

**Figure 79: Differential Output Slew Rate Definition**



**Table 85: Differential Output Slew Rate**

Parameter	Symbol	Min	Max	Unit
Differential output slew rate (output impedance = $40\Omega \pm 30\%$ )	$SRQ_{diff}$	3.0	8.0	V/ns

- Notes:
- Definitions: SR = Slew rate; Q = Query output (similar to DQ = Data-in, query output); diff = Differential signals.
  - Measured with output reference load.
  - The output slew rate for falling and rising edges is defined and measured between  $V_{OL(AC)}$  and  $V_{OH(AC)}$ .
  - Slew rates are measured under typical simultaneous switching output (SSO) conditions, with one half of the DQ signals per data byte driving HIGH and one half of the DQ signals per data byte driving LOW.

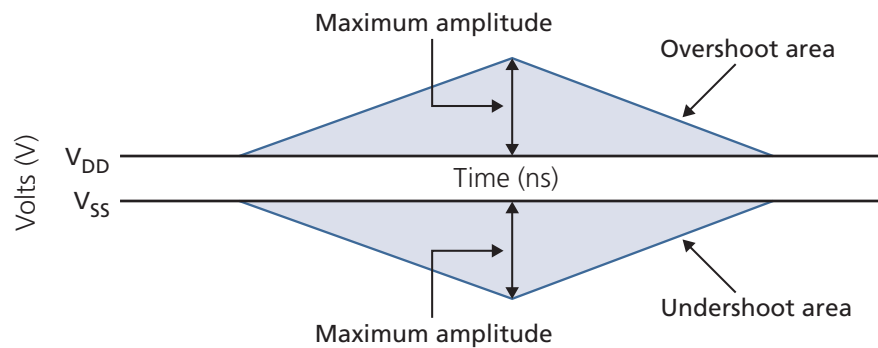


**Table 86: AC Overshoot/Undershoot Specification**

Parameter	2133	1866	1600	1333	Unit	Notes
Maximum peak amplitude provided for overshoot area	0.35	0.35	0.35	0.35	V	
Maximum peak amplitude provided for undershoot area	0.35	0.35	0.35	0.35	V	
Maximum area above $V_{DD}$	0.10	0.10	0.10	0.12	V-ns	1
Maximum area below $V_{SS}$	0.10	0.10	0.10	0.12	V-ns	2

- Notes:
1.  $V_{DD} = V_{DDCA}$  for CA[9:0], CK, CS\_n, and CKE.  $V_{DD}$  stands for  $V_{DDQ}$  for DQ, DM, DQS, and ODT.
  2.  $V_{SS} = V_{SSCA}$  for CA[9:0], CK, CS\_n, and CKE.  $V_{SS}$  stands for  $V_{SSQ}$  for DQ, DM, DQS, and ODT.
  3. Maximum peak amplitude values are referenced from actual  $V_{DD}$  and  $V_{SS}$  values.
  4. Maximum area values are referenced from maximum operating  $V_{DD}$  and  $V_{SS}$  values.

**Figure 80: Overshoot and Undershoot Definition**

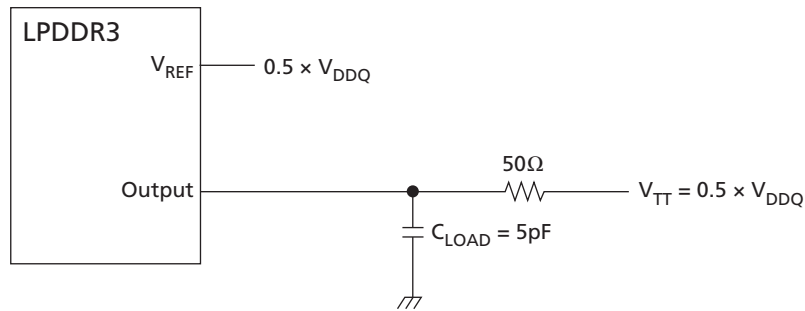


- Notes:
1.  $V_{DD} = V_{DDCA}$  for CA[9:0], CK, CS\_n, and CKE.  $V_{DD} = V_{DDQ}$  for DQ, DM, DQS, and ODT.
  2.  $V_{SS} = V_{SSCA}$  for CA[9:0], CK, CS\_n, and CKE.  $V_{SS} = V_{SSQ}$  for DQ, DM, DQS, and ODT.
  3. Maximum peak amplitude values are referenced from actual  $V_{DD}$  and  $V_{SS}$  values.
  4. Maximum area values are referenced from maximum operating  $V_{DD}$  and  $V_{SS}$  values.

## HSUL\_12 Driver Output Timing Reference Load

The timing reference loads are not a precise representation of any particular system environment or a depiction of the actual load presented by a production tester. System designers should use IBIS or other simulation tools to correlate the timing reference load to a system environment. Manufacturers correlate to their production test conditions, generally with one or more coaxial transmission lines terminated at the tester electronics.

**Figure 81: HSUL\_12 Driver Output Reference Load for Timing and Slew Rate**



Note: 1. All output timing parameter values ( $t_{DQSCK}$ ,  $t_{DQSQ}$ ,  $t_{HZ}$ ,  $t_{RPRE}$ , etc.) are reported with respect to this reference load. This reference load is also used to report slew rate.

## Output Driver Impedance

Output driver impedance is selected by a mode register during initialization. The selected value is able to maintain the tight tolerances specified if proper ZQ calibration is performed. Output specifications refer to the default output drive unless specifically stated otherwise. The output driver impedance  $R_{ON}$  is defined by the value of the external reference resistor  $R_{ZQ}$  as follows:

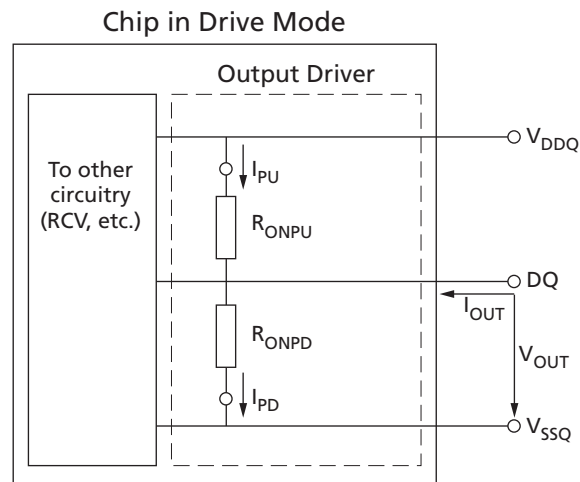
$$R_{ONPU} = \frac{V_{DDQ} - V_{OUT}}{ABS(I_{OUT})}$$

When  $R_{ONPD}$  is turned off.

$$R_{ONPD} = \frac{V_{OUT}}{ABS(I_{OUT})}$$

When  $R_{ONPU}$  is turned off.

Figure 82: Output Driver



## Output Driver Impedance Characteristics with ZQ Calibration

Output driver impedance is defined by the value of the external reference resistor  $R_{ZQ}$ . Typical  $R_{ZQ}$  is 240Ω.

**Table 87: Output Driver DC Electrical Characteristics with ZQ Calibration**

Notes 1–4 apply to entire table

$R_{ONnom}$	Resistor	$V_{OUT}$	Min	Typ	Max	Unit	Notes
34.3Ω	$R_{ON34PD}$	$0.5 \times V_{DDQ}$	0.85	1.00	1.15	$R_{ZQ}/7$	
	$R_{ON34PU}$	$0.5 \times V_{DDQ}$	0.85	1.00	1.15	$R_{ZQ}/7$	
40.0Ω	$R_{ON40PD}$	$0.5 \times V_{DDQ}$	0.85	1.00	1.15	$R_{ZQ}/6$	
	$R_{ON40PU}$	$0.5 \times V_{DDQ}$	0.85	1.00	1.15	$R_{ZQ}/6$	
48.0Ω	$R_{ON48PD}$	$0.5 \times V_{DDQ}$	0.85	1.00	1.15	$R_{ZQ}/5$	
	$R_{ON48PU}$	$0.5 \times V_{DDQ}$	0.85	1.00	1.15	$R_{ZQ}/5$	
Mismatch between pull-up and pull-down	$MM_{PUPD}$	–	–15.00	–	15.00	%	5

- Notes:
1. Applies across entire operating temperature range after calibration.
  2.  $R_{ZQ} = 240\Omega$ .
  3. The tolerance limits are specified after calibration, with fixed voltage and temperature. For behavior of the tolerance limits if temperature or voltage changes after calibration, see Output Driver Temperature and Voltage Sensitivity.
  4. Pull-down and pull-up output driver impedances should be calibrated at  $0.5 \times V_{DDQ}$ .
  5. Measurement definition for mismatch between pull-up and pull-down,  $MM_{PUPD}$ : Measure  $R_{ONPU}$  and  $R_{ONPD}$ , both at  $0.5 \times V_{DDQ}$ :

$$MM_{PUPD} = \frac{R_{ONPU} - R_{ONPD}}{R_{ON,nom}} \times 100$$

For example, with  $MM_{PUPD} (MAX) = 15\%$  and  $R_{ONPD} = 0.85$ ,  $R_{ONPU}$  must be less than 1.0.

## Output Driver Temperature and Voltage Sensitivity

If temperature and/or voltage change after calibration, the tolerance limits widen.

**Table 88: Output Driver Sensitivity Definition**

Notes 1 and 2 apply to entire table

Resistor	$V_{OUT}$	Min	Max	Unit
$R_{ONPD}$	$0.5 \times V_{DDQ}$	$85 - (dR_{ONdT} \times  \Delta T ) - (dR_{ONdV} \times  \Delta V )$	$115 + (dR_{ONdT} \times  \Delta T ) + (dR_{ONdV} \times  \Delta V )$	%
$R_{ONPU}$				
$R_{TT}$	$0.5 \times V_{DDQ}$	$85 - (dR_{TTdT} \times  \Delta T ) - (dR_{TTdV} \times  \Delta V )$	$115 + (dR_{TTdT} \times  \Delta T ) + (dR_{TTdV} \times  \Delta V )$	%

- Notes:
1.  $\Delta T = T - T$  (at calibration).  $\Delta V = V - V$  (at calibration).
  2.  $dR_{ONdT}$  and  $dR_{ONdV}$ , and  $dR_{TTdT}$  and  $dR_{TTdV}$  are not subject to production testing; they are verified by design and characterization.

**Table 89: Output Driver Temperature and Voltage Sensitivity**

Symbol	Parameter	Min	Max	Unit
dR <sub>ONdT</sub>	R <sub>ON</sub> temperature sensitivity	0	0.75	%/°C
dR <sub>ONdV</sub>	R <sub>ON</sub> voltage sensitivity	0	0.20	%/mV
dR <sub>TTdT</sub>	R <sub>TT</sub> temperature sensitivity	0	0.75	%/°C
dR <sub>TTdV</sub>	R <sub>TT</sub> voltage sensitivity	0	0.20	%/mV

## Output Impedance Characteristics Without ZQ Calibration

Output driver impedance is defined by design and characterization as the default setting.

**Table 90: Output Driver DC Electrical Characteristics Without ZQ Calibration**

Notes 1 and 2 apply to entire table

R <sub>ON,nom</sub>	Resistor	V <sub>OUT</sub>	Min	Typ	Max	Unit
34.3Ω	R <sub>ON34PD</sub>	0.5 × V <sub>DDQ</sub>	0.70	1.00	1.30	R <sub>ZQ</sub> /7
	R <sub>ON34PU</sub>	0.5 × V <sub>DDQ</sub>	0.70	1.00	1.30	R <sub>ZQ</sub> /7
40.0Ω	R <sub>ON40PD</sub>	0.5 × V <sub>DDQ</sub>	0.70	1.00	1.30	R <sub>ZQ</sub> /6
	R <sub>ON40PU</sub>	0.5 × V <sub>DDQ</sub>	0.70	1.00	1.30	R <sub>ZQ</sub> /6
48.0Ω	R <sub>ON48PD</sub>	0.5 × V <sub>DDQ</sub>	0.70	1.00	1.30	R <sub>ZQ</sub> /5
	R <sub>ON48PU</sub>	0.5 × V <sub>DDQ</sub>	0.70	1.00	1.30	R <sub>ZQ</sub> /5

- Notes: 1. Applies across entire operating temperature range without calibration.  
2. R<sub>ZQ</sub> = 240Ω.

**Table 91: I-V Curves**

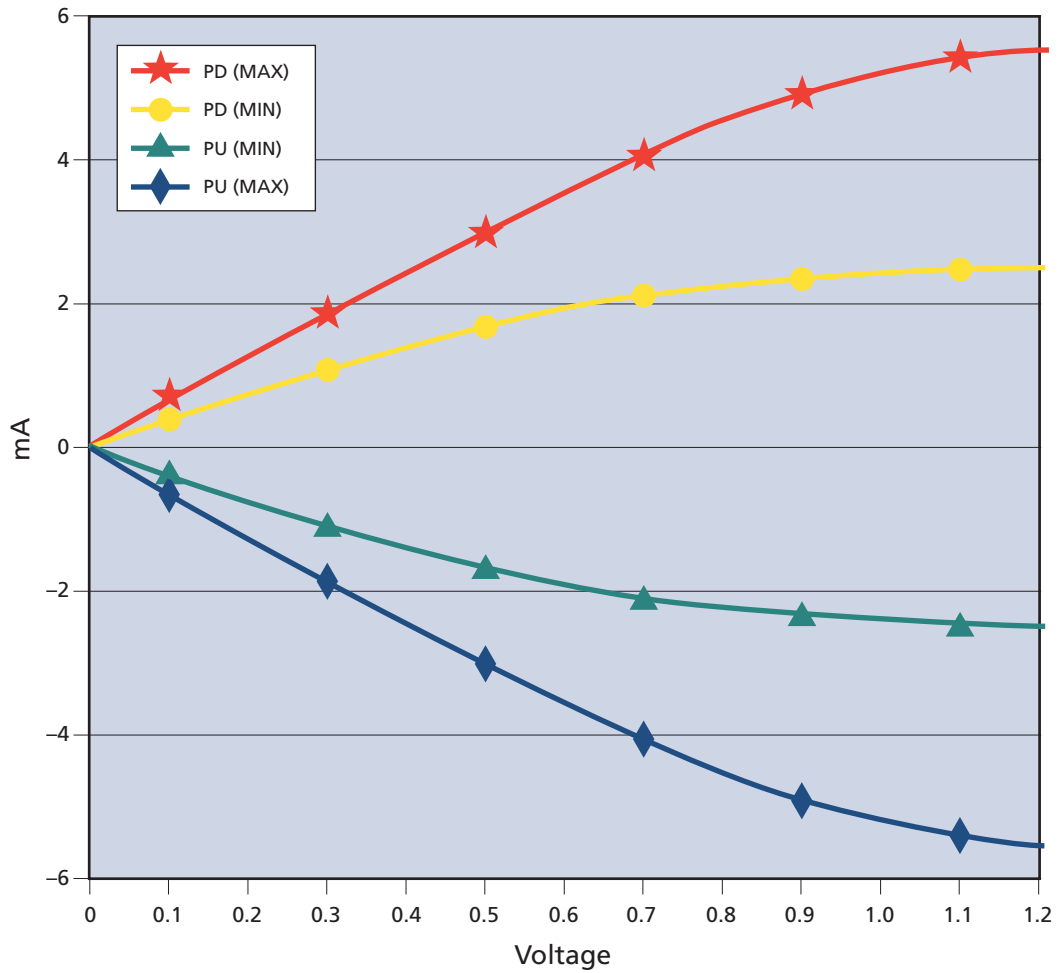
Voltage (V)	R <sub>ON</sub> = 240Ω (R <sub>ZQ</sub> )							
	Pull-Down				Pull-Up			
	Current (mA) / R <sub>ON</sub> (Ω)				Current (mA) / R <sub>ON</sub> (Ω)			
	Default Value after ZQRESET		With Calibration		Default Value after ZQRESET		With Calibration	
	Min (mA)	Max (mA)	Min (mA)	Max (mA)	Min (mA)	Max (mA)	Min (mA)	Max (mA)
0.00	0.00	0.00	N/A	N/A	0.00	0.00	N/A	N/A
0.05	0.17	0.35	N/A	N/A	-0.17	-0.35	N/A	N/A
0.10	0.34	0.70	N/A	N/A	-0.34	-0.70	N/A	N/A
0.15	0.50	1.03	N/A	N/A	-0.50	-1.03	N/A	N/A
0.20	0.67	1.39	N/A	N/A	-0.67	-1.39	N/A	N/A
0.25	0.83	1.73	N/A	N/A	-0.83	-1.73	N/A	N/A
0.30	0.97	2.05	N/A	N/A	-0.97	-2.05	N/A	N/A
0.35	1.13	2.39	N/A	N/A	-1.13	-2.39	N/A	N/A
0.40	1.26	2.71	N/A	N/A	-1.26	-2.71	N/A	N/A



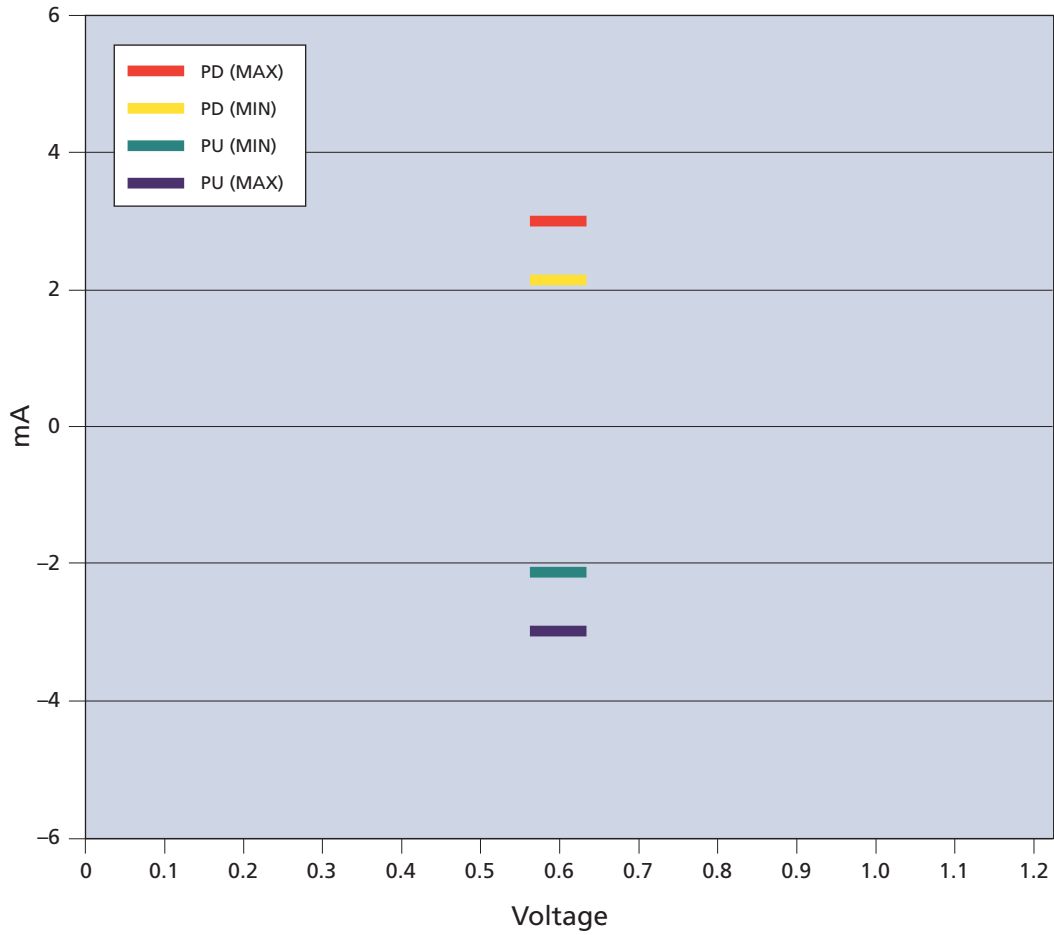
Table 91: I-V Curves (Continued)

Voltage (V)	$R_{ON} = 240\Omega (R_{ZQ})$							
	Pull-Down				Pull-Up			
	Current (mA) / $R_{ON} (\Omega)$				Current (mA) / $R_{ON} (\Omega)$			
	Default Value after ZQRESET		With Calibration		Default Value after ZQRESET		With Calibration	
	Min (mA)	Max (mA)	Min (mA)	Max (mA)	Min (mA)	Max (mA)	Min (mA)	Max (mA)
0.45	1.39	3.01	N/A	N/A	-1.39	-3.01	N/A	N/A
0.50	1.51	3.32	N/A	N/A	-1.51	-3.32	N/A	N/A
0.55	1.63	3.63	N/A	N/A	-1.63	-3.63	N/A	N/A
0.60	1.73	3.93	2.17	2.94	-1.73	-3.93	-2.17	-2.94
0.65	1.82	4.21	N/A	N/A	-1.82	-4.21	N/A	N/A
0.70	1.90	4.49	N/A	N/A	-1.90	-4.49	N/A	N/A
0.75	1.97	4.74	N/A	N/A	-1.97	-4.74	N/A	N/A
0.80	2.03	4.99	N/A	N/A	-2.03	-4.99	N/A	N/A
0.85	2.07	5.21	N/A	N/A	-2.07	-5.21	N/A	N/A
0.90	2.11	5.41	N/A	N/A	-2.11	-5.41	N/A	N/A
0.95	2.13	5.59	N/A	N/A	-2.13	-5.59	N/A	N/A
1.00	2.17	5.72	N/A	N/A	-2.17	-5.72	N/A	N/A
1.05	2.19	5.84	N/A	N/A	-2.19	-5.84	N/A	N/A
1.10	2.21	5.95	N/A	N/A	-2.21	-5.95	N/A	N/A
1.15	2.23	6.03	N/A	N/A	-2.23	-6.03	N/A	N/A
1.20	2.25	6.11	N/A	N/A	-2.25	-6.11	N/A	N/A

Figure 83: Output Impedance = 240Ω, I-V Curves After ZQRESET



**Figure 84: Output Impedance = 240Ω, I-V Curves After Calibration**

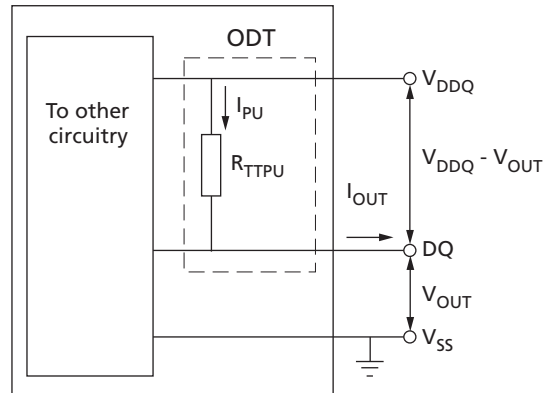




## ODT Levels and I-V Characteristics

ODT effective resistance,  $R_{TT}$ , is defined by mode register MR11[1:0]. ODT is applied to the DQ, DM, and DQS pins. A functional block diagram of the on-die termination is shown in the figure below.  $R_{TT}$  is defined by the following formula:  $R_{TT} = (V_{DDQ} - V_{OUT}) / |I_{OUT}|$

**Figure 85: ODT Functional Block Diagram**



**Table 92: ODT DC Electrical Characteristics ( $R_{ZQ} = 240\Omega$  After Proper ZQ Calibration)**

$R_{TT}$ ( $\Omega$ )	$V_{OUT}$	$I_{out}$	
		Min (mA)	Max (mA)
$R_{ZQ}/1$	0.6	-2.17	-2.94
$R_{ZQ}/2$	0.6	-4.34	-5.88
$R_{ZQ}/4$	0.6	-8.68	-11.76

## Clock Specification

The specified clock jitter is a random jitter with Gaussian distribution. Input clocks violating minimum or maximum values may result in device malfunction.

**Table 93: Definitions and Calculations**

Symbol	Description	Calculation	Notes
$t_{CK(avg)}$ and $nCK$	<p>The average clock period across any consecutive 200-cycle window. Each clock period is calculated from rising clock edge to rising clock edge.</p> <p>Unit <math>t_{CK(avg)}</math> represents the actual clock average <math>t_{CK(avg)}</math> of the input clock under operation. Unit <math>nCK</math> represents one clock cycle of the input clock, counting from actual clock edge to actual clock edge.</p> <p><math>t_{CK(avg)}</math> can change no more than <math>\pm 1\%</math> within a 100-clock-cycle window, provided that all jitter and timing specifications are met.</p>	$t_{CK(avg)} = \left( \sum_{j=1}^N t_{CK_j} \right) / N$ <p>Where <math>N = 200</math></p>	
$t_{CK(abs)}$	The absolute clock period, as measured from one rising clock edge to the next consecutive rising clock edge.		1
$t_{CH(avg)}$	The average HIGH pulse width, as calculated across any 200 consecutive HIGH pulses.	$t_{CH(avg)} = \left( \sum_{j=1}^N t_{CH_j} \right) / (N \times t_{CK(avg)})$ <p>Where <math>N = 200</math></p>	
$t_{CL(avg)}$	The average LOW pulse width, as calculated across any 200 consecutive LOW pulses.	$t_{CL(avg)} = \left( \sum_{j=1}^N t_{CL_j} \right) / (N \times t_{CK(avg)})$ <p>Where <math>N = 200</math></p>	
$t_{JIT(per)}$	The single-period jitter defined as the largest deviation of any signal $t_{CK}$ from $t_{CK(avg)}$ .	$t_{JIT(per)} = \min/\max \text{ of } \left\{ t_{CK_i} - t_{CK(avg)} \right\}$ <p>Where <math>i = 1</math> to 200</p>	1
$t_{JIT(per),act}$	The actual clock jitter for a given system.		
$t_{JIT(per),allowed}$	The specified clock period jitter allowance.		
$t_{JIT(cc)}$	The absolute difference in clock periods between two consecutive clock cycles. $t_{JIT(cc)}$ defines the cycle-to-cycle jitter.	$t_{JIT(cc)} = \max \text{ of } \left\{ t_{CK_{i+1}} - t_{CK_i} \right\}$	1
$t_{ERR(nper)}$	The cumulative error across $n$ multiple consecutive cycles from $t_{CK(avg)}$ .	$t_{ERR(nper)} = \left( \sum_{j=i}^{i+n-1} t_{CK_j} \right) - (n \times t_{CK(avg)})$	1
$t_{ERR(nper),act}$	The actual cumulative error over $n$ cycles for a given system.		
$t_{ERR(nper),allowed}$	The specified cumulative error allowance over $n$ cycles.		
$t_{ERR(nper),min}$	The minimum $t_{ERR(nper)}$ .	$t_{ERR(nper),min} = (1 + 0.68LN(n)) \times t_{JIT(per),min}$	2

**Table 93: Definitions and Calculations (Continued)**

Symbol	Description	Calculation	Notes
$t_{ERR(nper),max}$	The maximum $t_{ERR(nper)}$ .	$t_{ERR(nper),max} = (1 + 0.68LN(n)) \times t_{JIT(per),max}$	2
$t_{JIT(duty)}$	Defined with absolute and average specifications for $t_{CH}$ and $t_{CL}$ , respectively.	$t_{JIT(duty),min} =$ $MIN((t_{CH(ABS),min} - t_{CH(avg),min}),$ $(t_{CL(ABS),min} - t_{CL(avg),min})) \times t_{CK(avg)}$  $t_{JIT(duty),max} =$ $MAX((t_{CH(ABS),max} - t_{CH(avg),max}),$ $(t_{CL(ABS),max} - t_{CL(avg),max})) \times t_{CK(avg)}$	

- Notes: 1. Not subject to production testing.  
2. Using these equations,  $t_{ERR(nper)}$  tables can be generated for each  $t_{JIT(per),act}$  value.

### $t_{CK(ABS)}$ , $t_{CH(ABS)}$ , and $t_{CL(ABS)}$

These parameters are specified with their average values; however, the relationship between the average timing and the absolute instantaneous timing (defined in the following table) is applicable at all times.

**Table 94:  $t_{CK(ABS)}$ ,  $t_{CH(ABS)}$ , and  $t_{CL(ABS)}$  Definitions**

Parameter	Symbol	Minimum	Unit
Absolute clock period	$t_{CK(ABS)}$	$t_{CK(avg),min} + t_{JIT(per),min}$	ps <sup>1</sup>
Absolute clock HIGH pulse width	$t_{CH(ABS)}$	$t_{CH(avg),min} + t_{JIT(duty),min}^2/t_{CK(avg),min}$	$t_{CK(avg)}$
Absolute clock LOW pulse width	$t_{CL(ABS)}$	$t_{CL(avg),min} + t_{JIT(duty),min}^2/t_{CK(avg),min}$	$t_{CK(avg)}$

- Notes: 1.  $t_{CK(avg),min}$  is expressed in ps for this table.  
2.  $t_{JIT(duty),min}$  is a negative value.

## Clock Period Jitter

LPDDR3 devices can tolerate some clock period jitter without core timing parameter derating. This section describes device timing requirements with clock period jitter ( $t_{JIT(per)}$ ) in excess of the values found in the AC Timing table. Calculating cycle time derating and clock cycle derating are also described.

### Clock Period Jitter Effects on Core Timing Parameters

Core timing parameters ( $t_{RCD}$ ,  $t_{RP}$ ,  $t_{RTP}$ ,  $t_{WR}$ ,  $t_{WRA}$ ,  $t_{WTR}$ ,  $t_{RC}$ ,  $t_{RAS}$ ,  $t_{RRD}$ ,  $t_{FAW}$ ) extend across multiple clock cycles. Clock period jitter impacts these parameters when measured in numbers of clock cycles. Within the specification limits, the device is characterized and verified to support  $n_{PARAM} = RU[t_{PARAM}/t_{CK(avg)}]$ . During device operation where clock jitter is outside specification limits, the number of clocks, or  $t_{CK(avg)}$ , may need to be increased based on the values for each core timing parameter.

## Cycle Time Derating for Core Timing Parameters

For a given number of clocks ( $t_{nPARAM}$ ), when  $t_{CK(avg)}$  and  $t_{ERR}(t_{nPARAM},act)$  exceed  $t_{ERR}(t_{nPARAM},allowed)$ , cycle time derating may be required for core timing parameters.

$$\text{CycleTimeDerating} = \max\left\{\left\{\frac{t_{PARAM} + t_{ERR}(t_{nPARAM},act) - t_{ERR}(t_{nPARAM},allowed)}{t_{nPARAM}} - t_{CK(avg)}\right\}, 0\right\}$$

Cycle time derating analysis should be conducted for each core timing parameter. The amount of cycle time derating required is the maximum of the cycle time deratings determined for each individual core timing parameter.

## Clock Cycle Derating for Core Timing Parameters

For each core timing parameter and a given number of clocks ( $t_{nPARAM}$ ), clock cycle derating should be specified with  $t_{JIT(per)}$ .

For a given number of clocks ( $t_{nPARAM}$ ), when  $t_{CK(avg)}$  plus  $t_{ERR}(t_{nPARAM},act)$  exceed the supported cumulative  $t_{ERR}(t_{nPARAM},allowed)$ , derating is required. If the equation below results in a positive value for a core timing parameter ( $t_{CORE}$ ), the required clock cycle derating will be that positive value (in clocks).

$$\text{ClockCycleDerating} = RU \left\{ \frac{t_{PARAM} + t_{ERR}(t_{nPARAM},act) - t_{ERR}(t_{nPARAM},allowed)}{t_{CK(avg)}} \right\} - t_{nPARAM}$$

Cycle-time derating analysis should be conducted for each core timing parameter.

## Clock Jitter Effects on Command/Address Timing Parameters

Command/address timing parameters ( $t_{IS}$ ,  $t_{IH}$ ,  $t_{ISCKE}$ ,  $t_{IHCKE}$ ,  $t_{ISb}$ ,  $t_{IHb}$ ,  $t_{ISCKEb}$ ,  $t_{IHCKEb}$ ) are measured from a command/address signal (CKE, CS, or CA[9:0]) transition edge to its respective clock signal (CK<sub>t</sub>/CK<sub>c</sub>) crossing. The specification values are not affected by the  $t_{JIT(per)}$  applied, because the setup and hold times are relative to the clock signal crossing that latches the command/address. Regardless of clock jitter values, these values must be met.

## Clock Jitter Effects on Read Timing Parameters

### $t_{RPRE}$ Parameter

When the device is operated with input clock jitter,  $t_{RPRE}$  must be derated by the  $t_{JIT(per),act,max}$  of the input clock that exceeds  $t_{JIT(per),allowed,max}$ . Output deratings are relative to the input clock:

$$t_{RPRE}(min,derated) = 0.9 - \left( \frac{t_{JIT(per),act,max} - t_{JIT(per),allowed,max}}{t_{CK(avg)}} \right)$$

For example, if the measured jitter into a LPDDR3-1600 device has  $t_{CK(avg)} = 1250ps$ ,  $t_{JIT(per),act,min} = -92ps$ , and  $t_{JIT(per),act,max} = +134ps$ , then  $t_{RPRE,min,derated} = 0.9 - (t_{JIT(per),act,max} - t_{JIT(per),allowed,max}) / t_{CK(avg)} = 0.9 - (134 - 100) / 1250 = 0.8728 t_{CK(avg)}$ .

## <sup>t</sup>LZ(DQ), <sup>t</sup>HZ(DQ), <sup>t</sup>DQSCK, <sup>t</sup>LZ(DQS), <sup>t</sup>HZ(DQS) Parameters

These parameters are measured from a specific clock edge to a data signal transition (DM<sub>n</sub> or DQ<sub>m</sub>, where:  $n = 0, 1, 2, \text{ or } 3$ ; and  $m = \text{DQ}[31:0]$ ), and specified timings must be met with respect to that clock edge. Therefore, they are not affected by <sup>t</sup>JIT(per).

## <sup>t</sup>QSH, <sup>t</sup>QSL Parameters

These parameters are affected by duty cycle jitter, represented by <sup>t</sup>CH(abs)min and <sup>t</sup>CL(abs)min. These parameters determine the absolute data-valid window at the device pin. The absolute minimum data-valid window at the device pin =  $\min [(\sup{t}QSH(\text{abs})\text{min} \times \sup{t}CK(\text{avg})\text{min} - \sup{t}DQSQ\text{max} - \sup{t}QHS\text{max}), (\sup{t}QSL(\text{abs})\text{min} \times \sup{t}CK(\text{avg})\text{min} - \sup{t}DQSQ\text{max} - \sup{t}QHS\text{max})]$ . This minimum data valid window must be met at the target frequency regardless of clock jitter.

## <sup>t</sup>RPST Parameter

<sup>t</sup>RPST is affected by duty cycle jitter, represented by <sup>t</sup>CL(abs). Therefore, <sup>t</sup>RPST(abs)min can be specified by <sup>t</sup>CL(abs)min.  $\sup{t}RPST(\text{abs})\text{min} = \sup{t}CL(\text{abs})\text{min} - 0.05 = \sup{t}QSL(\text{abs})\text{min}$ .

## Clock Jitter Effects on Write Timing Parameters

### <sup>t</sup>DS, <sup>t</sup>DH Parameters

These parameters are measured from a data signal (DM<sub>n</sub> or DQ<sub>m</sub>, where  $n = 0, 1, 2, 3$ ; and  $m = \text{DQ}[31:0]$ ) transition edge to its respective data strobe signal crossing (DQS<sub>n\_t</sub>, DQS<sub>n\_c</sub>;  $n = 0, 1, 2, 3$ ). The specification values are not affected by the amount of <sup>t</sup>JIT(per) applied, because the setup and hold times are relative to the clock signal crossing that latches the command/address. Regardless of clock jitter values, these values must be met.

### <sup>t</sup>DSS, <sup>t</sup>DSH Parameters

These parameters are measured from a data strobe signal crossing (DQS<sub>x\_t</sub>, DQS<sub>x\_c</sub>) to its clock signal crossing (CK<sub>t</sub>/CK<sub>c</sub>). The specification values are not affected by the amount of <sup>t</sup>JIT(per) applied, because the setup and hold times are relative to the clock signal crossing that latches the command/address. Regardless of clock jitter values, these values must be met.

### <sup>t</sup>DQSS Parameter

<sup>t</sup>DQSS is measured from the clock signal crossing (CK<sub>t</sub>/CK<sub>c</sub>) to the first latching data strobe signal crossing (DQS<sub>x\_t</sub>, DQS<sub>x\_c</sub>). When the device is operated with input clock jitter, this parameter must be derated by the actual <sup>t</sup>JIT(per)<sub>act</sub> of the input clock in excess of <sup>t</sup>JIT(per)<sub>allowed</sub>.

$$\sup{t}DQSS(\text{min,derated}) = 0.75 - \left( \frac{\sup{t}JIT(\text{per})_{\text{act,min}} - \sup{t}JIT(\text{per})_{\text{allowed,min}}}{\sup{t}CK(\text{avg})} \right)$$

$$\sup{t}DQSS(\text{max,derated}) = 1.25 - \left( \frac{\sup{t}JIT(\text{per})_{\text{act,max}} - \sup{t}JIT(\text{per})_{\text{allowed,max}}}{\sup{t}CK(\text{avg})} \right)$$

For example, if the measured jitter into an LPDDR3-1600 device has <sup>t</sup>CK(avg) = 1250ps, <sup>t</sup>JIT(per)<sub>act,min</sub> = -93ps, and <sup>t</sup>JIT(per)<sub>act,max</sub> = +134ps, then:

$$\sup{t}DQSS(\text{min,derated}) = 0.75 - (\sup{t}JIT(\text{per})_{\text{act,min}} - \sup{t}JIT(\text{per})_{\text{allowed,min}}) / \sup{t}CK(\text{avg}) = 0.75 - (-93 + 100) / 1250 = 0.7444 \sup{t}CK(\text{avg}), \text{ and}$$

$$\sup{t}DQSS(\text{max,derated}) = 1.25 - (\sup{t}JIT(\text{per})_{\text{act,max}} - \sup{t}JIT(\text{per})_{\text{allowed,max}}) / \sup{t}CK(\text{avg}) =$$



$$1.25 - (134 - 100) / 1250 = 1.2228 \text{ } ^t\text{CK}(\text{avg}).$$

## Refresh Requirements

**Table 95: Refresh Requirement Parameters (Per Density)**

Parameter	Symbol	4Gb	6Gb	8Gb	16Gb	32Gb	Unit
Number of banks	–	8			TBD		
Refresh window: $T_{\text{CASE}} \leq 85^\circ$	${}^t\text{REFW}$	32			TBD		ms
Refresh window: 1/2 rate	${}^t\text{REFW}$	16			TBD		ms
Refresh window: 1/4 rate	${}^t\text{REFW}$	8			TBD		ms
Required number of REFRESH commands (MIN)	R	8192			TBD		
Average time between REFRESH commands (for reference only) $T_{\text{CASE}} \leq 85^\circ\text{C}$	REFab	${}^t\text{REFI}$	3.9			TBD	$\mu\text{s}$
	REFpb	${}^t\text{REFIpb}$	0.4875			TBD	$\mu\text{s}$
Refresh cycle time	${}^t\text{RFCab}$	130	210		TBD	TBD	ns
Per-bank REFRESH cycle time	${}^t\text{RFCpb}$	60	90		TBD	TBD	ns

## AC Timing

**Table 96: AC Timing**

Notes 1–3 apply to all parameters and conditions

Parameter	Symbol	Min/Max	Data Rate				Unit	Notes
			1333	1600	1866	2133		
Maximum frequency	–	–	667	800	933	1066	MHz	
<b>Clock Timing</b>								
Average clock period	$t_{CK(avg)}$	MIN	1.5	1.25	1.071	0.938	ns	
		MAX	100					
Average HIGH pulse width	$t_{CH(avg)}$	MIN	0.45				$t_{CK(avg)}$	
		MAX	0.55					
Average LOW pulse width	$t_{CL(avg)}$	MIN	0.45				$t_{CK(avg)}$	
		MAX	0.55					
Absolute clock period	$t_{CK(abs)}$	MIN	$t_{CK(avg)} \text{ MIN} + t_{JIT(per)} \text{ MIN}$				ns	
Absolute clock HIGH pulse width	$t_{CH(abs)}$	MIN	0.43				$t_{CK(avg)}$	
		MAX	0.57					
Absolute clock LOW pulse width	$t_{CL(abs)}$	MIN	0.43				$t_{CK(avg)}$	
		MAX	0.57					
Clock period jitter (with supported jitter)	$t_{JIT(per)}$ , allowed	MIN	–80	–70	–60	–50	ps	
		MAX	80	70	60	50		
Maximum clock jitter between two consecutive clock cycles (with allowed jitter)	$t_{JIT(cc)}$ , allowed	MAX	160	140	120	100	ps	
Duty cycle jitter (with supported jitter)	$t_{JIT(duty)}$ , allowed	MIN	$\min((t_{CH(abs),min} - t_{CH(avg),min}), (t_{CL(abs),min} - t_{CL(avg),min})) \times t_{CK(avg)}$				ps	
		MAX	$\max((t_{CH(abs),max} - t_{CH(avg),max}), (t_{CL(abs),max} - t_{CL(avg),max})) \times t_{CK(avg)}$					
Cumulative errors across 2 cycles	$t_{ERR(2per)}$ , allowed	MIN	–118	–103	–88	–74	ps	
		MAX	118	103	88	74		
Cumulative errors across 3 cycles	$t_{ERR(3per)}$ , allowed	MIN	–140	–122	–105	–87	ps	
		MAX	140	122	105	87		
Cumulative errors across 4 cycles	$t_{ERR(4per)}$ , allowed	MIN	–155	–136	–117	–97	ps	
		MAX	155	136	117	97		
Cumulative errors across 5 cycles	$t_{ERR(5per)}$ , allowed	MIN	–168	–147	–126	–105	ps	
		MAX	168	147	126	105		
Cumulative errors across 6 cycles	$t_{ERR(6per)}$ , allowed	MIN	–177	–155	–133	–111	ps	
		MAX	177	155	133	111		
Cumulative errors across 7 cycles	$t_{ERR(7per)}$ , allowed	MIN	–186	–163	–139	–116	ps	
		MAX	186	163	139	116		
Cumulative errors across 8 cycles	$t_{ERR(8per)}$ , allowed	MIN	–193	–169	–145	–121	ps	
		MAX	193	169	145	121		

**Table 96: AC Timing (Continued)**

Notes 1–3 apply to all parameters and conditions

Parameter	Symbol	Min/Max	Data Rate				Unit	Notes
			1333	1600	1866	2133		
Cumulative errors across 9 cycles	$t^{ERR(9per)}$ , allowed	MIN	-200	-175	-150	-125	ps	
		MAX	200	175	150	125		
Cumulative errors across 10 cycles	$t^{ERR(10per)}$ , allowed	MIN	-205	-180	-154	-128	ps	
		MAX	205	180	154	128		
Cumulative errors across 11 cycles	$t^{ERR(11per)}$ , allowed	MIN	-210	-184	-158	-132	ps	
		MAX	210	184	158	132		
Cumulative errors across 12 cycles	$t^{ERR(12per)}$ , allowed	MIN	-215	-188	-161	-134	ps	
		MAX	215	188	161	134		
Cumulative errors across n = 13, 14, 15..., 19, 20 cycles	$t^{ERR(nper)}$ , allowed	MIN	$t^{ERR(nper)}$ , allowed MIN = $(1 + 0.68\ln(n)) \times t^{JIT(per)}$ , allowed MIN				ps	
		MAX	$t^{ERR(nper)}$ , allowed MAX = $(1 + 0.68\ln(n)) \times t^{JIT(per)}$ , allowed MAX					
<b>ZQ Calibration Parameters</b>								
Initialization calibration time	$t^{ZQINIT}$	MIN	1				µs	
Long calibration time	$t^{ZQCL}$	MIN	360				ns	
Short calibration time	$t^{ZQCS}$	MIN	90				ns	
Calibration RESET time	$t^{ZQRESET}$	MIN	MAX (50ns, 3nCK)				ns	
<b>READ Parameters<sup>4</sup></b>								
DQS output access time from CK	$t^{DQSCK}$	MIN	2500				ps	
		MAX	5500					
DQSCK delta short	$t^{DQSCKDS}$	MAX	265	220	190	165	ps	5
DQSCK delta medium	$t^{DQSCKDM}$	MAX	593	511	435	380	ps	6
DQSCK delta long	$t^{DQSCKDL}$	MAX	733	614	525	460	ps	7
DQS-DQ skew	$t^{DQSQ}$	MAX	165	135	115	100	ps	
DQS output HIGH pulse width	$t^{QSH}$	MIN	$t^{CH(abs)} - 0.05$				$t^{CK(avg)}$	
DQS output LOW pulse width	$t^{QSL}$	MIN	$t^{CL(abs)} - 0.05$				$t^{CK(avg)}$	
DQ/DQS output hold time from DQS	$t^{QH}$	MIN	MIN ( $t^{QSH}$ , $t^{QSL}$ )				ps	
READ preamble	$t^{RPRE}$	MIN	0.9				$t^{CK(avg)}$	8, 9
READ postamble	$t^{RPST}$	MIN	0.3				$t^{CK(avg)}$	8, 10
DQS Low-Z from clock	$t^{LZ(DQS)}$	MIN	$t^{DQSCK} (MIN) - 300$				ps	8
DQ Low-Z from clock	$t^{LZ(DQ)}$	MIN	$t^{DQSCK} (MIN) - 300$				ps	8
DQS High-Z from clock	$t^{HZ(DQS)}$	MAX	$t^{DQSCK} (MAX) - 100$				ps	8
DQ High-Z from clock	$t^{HZ(DQ)}$	MAX	$t^{DQSCK} (MAX) + (1.4 \times t^{DQSQ} (MAX))$				ps	8
<b>WRITE Parameters<sup>4</sup></b>								



**Table 96: AC Timing (Continued)**

Notes 1–3 apply to all parameters and conditions

Parameter	Symbol	Min/Max	Data Rate				Unit	Notes
			1333	1600	1866	2133		
DQ and DM input hold time (V <sub>REF</sub> based)	<sup>t</sup> DH	MIN	175	150	130	115	ps	
DQ and DM input setup time (V <sub>REF</sub> based)	<sup>t</sup> DS	MIN	175	150	130	115	ps	
DQ and DM input pulse width	<sup>t</sup> DIPW	MIN	0.35				<sup>t</sup> CK(avg)	
Write command to first DQS latching transition	<sup>t</sup> DQSS	MIN	0.75				<sup>t</sup> CK(avg)	
		MAX	1.25					
DQS input high-level width	<sup>t</sup> DQSH	MIN	0.4				<sup>t</sup> CK(avg)	
DQS input low-level width	<sup>t</sup> DQSL	MIN	0.4				<sup>t</sup> CK(avg)	
DQS rising edge to CK falling edge and DQS falling edge to CK rising edge setup time	<sup>t</sup> DSS	MIN	0.2				<sup>t</sup> CK(avg)	
CK rising edge to DQS falling edge and CK falling edge to DQS rising edge hold time	<sup>t</sup> DSH	MIN	0.2				<sup>t</sup> CK(avg)	
Write postamble	<sup>t</sup> WPST	MIN	0.4				<sup>t</sup> CK(avg)	
Write preamble	<sup>t</sup> WPRE	MIN	0.8				<sup>t</sup> CK(avg)	
<b>CKE Input Parameters</b>								
CKE minimum pulse width (HIGH and LOW pulse width)	<sup>t</sup> CKE	MIN	MAX (7.5ns, 3nCK)				<sup>t</sup> CK(avg)	
CKE input setup time	<sup>t</sup> ISCKE	MIN	0.25				<sup>t</sup> CK(avg)	11
CKE input hold time	<sup>t</sup> IHCKE	MIN	0.25				<sup>t</sup> CK(avg)	12
Command path disable delay	<sup>t</sup> CPDED	MIN	2				<sup>t</sup> CK(avg)	
<b>Command Address Input Parameters<sup>4</sup></b>								
Address and control input setup time	<sup>t</sup> ISCA	MIN	175	150	130	115	ps	13
Address and control input hold time	<sup>t</sup> IHCA	MIN	175	150	130	115	ps	13
CS <sub>n</sub> input setup time	<sup>t</sup> ISCS	MIN	290	270	230	205	ps	13
CS <sub>n</sub> input hold time	<sup>t</sup> IHCS	MIN	290	270	230	205	ps	13
Address and control input pulse width	<sup>t</sup> IPWCA	MIN	0.35				<sup>t</sup> CK(avg)	
CS <sub>n</sub> input pulse width	<sup>t</sup> IPWCS	MIN	0.7				<sup>t</sup> CK(avg)	
<b>Boot Parameters (10–55 MHz)<sup>14, 15, 16</sup></b>								
Clock cycle time	<sup>t</sup> CKb	MAX	100				ns	
		MIN	18					
CKE input setup time	<sup>t</sup> ISCKEb	MIN	2.5				ns	
CKE input hold time	<sup>t</sup> IHCKEb	MIN	2.5				ns	

**Table 96: AC Timing (Continued)**

Notes 1–3 apply to all parameters and conditions

Parameter	Symbol	Min/Max	Data Rate				Unit	Notes
			1333	1600	1866	2133		
Address and control input setup time	$t_{ISb}$	MIN	1150				ps	
Address and control input hold time	$t_{IHb}$	MIN	1150				ps	
DQS output data access time from CK	$t_{DQSCKb}$	MIN	2				ns	
		MAX	10					
Data strobe edge to output data edge	$t_{DQSQb}$	MAX	1.2				ns	
<b>Mode Register Parameters</b>								
MODE REGISTER WRITE command period (MRW command to MRW command interval)	$t_{MRW}$	MIN	10				$t_{CK(avg)}$	
MODE REGISTER SET command delay (MRW command to non-MRW command interval)	$t_{MRD}$	MIN	MAX (14nx, 10nCK)				ns	
MODE REGISTER READ command period	$t_{MRR}$	MIN	4				$t_{CK(avg)}$	
Additional time after $t_{XP}$ has expired until MRR command may be issued	$t_{MRRi}$	MIN	$t_{RCD} (MIN)$				ns	
<b>Core Parameters<sup>17</sup></b>								
READ latency	RL	MIN	10	12	14	16	$t_{CK(avg)}$	
WRITE latency (set A)	WL	MIN	6	6	8	8	$t_{CK(avg)}$	
WRITE latency (set B)	WL	MIN	8	9	11	13	$t_{CK(avg)}$	
ACTIVATE-to- ACTIVATE command period	$t_{RC}$	MIN	$t_{RAS} + t_{RPab}$ (with all-bank precharge) $t_{RAS} + t_{RPpb}$ (with per-bank precharge)				ns	18
CKE minimum pulse width during SELF REFRESH (low pulse width during SELF REFRESH)	$t_{CKESR}$	MIN	MAX (15ns, 3nCK)				ns	
SELF REFRESH exit to next valid command delay	$t_{XSR}$	MIN	MAX ( $t_{RFCab} + 10ns, 2nCK$ )				ns	
Exit power-down to next valid command delay	$t_{XP}$	MIN	MAX (7.5ns, 2nCK)				ns	
CAS-to-CAS delay	$t_{CCD}$	MIN	4				$t_{CK(avg)}$	
Internal READ to PRE-CHARGE command delay	$t_{RTP}$	MIN	MAX (7.5ns, 4nCK)				ns	
RAS-to-CAS delay	$t_{RCD}$	MIN	MAX (18ns, 3nCK)				ns	

**Table 96: AC Timing (Continued)**

Notes 1–3 apply to all parameters and conditions

Parameter	Symbol	Min/Max	Data Rate				Unit	Notes
			1333	1600	1866	2133		
Row precharge time (single bank)	$t_{RPpb}$	MIN	MAX (18ns, 3nCK)				ns	
Row precharge time (all banks)	$t_{RPpab}$	MIN	MAX (21ns, 3nCK)				ns	
Row active time	$t_{RAS}$	MIN	MAX (42ns, 3nCK)				ns	
		MAX	70				$\mu$ s	
WRITE recovery time	$t_{WR}$	MIN	MAX (15ns, 3nCK)				ns	
Internal WRITE-to- READ command delay	$t_{WTR}$	MIN	MAX (7.5ns, 4nCK)				ns	
Active bank A to active bank B	$t_{RRD}$	MIN	MAX (10ns, 2nCK)				ns	
Four-bank ACTIVATE window	$t_{FAW}$	MIN	MAX (50ns, 8nCK)				ns	
Minimum deep power-down time	$t_{DPD}$	MIN	500				$\mu$ s	
<b>ODT Parameters</b>								
Asynchronous $R_{TT}$ turn-on delay from ODT input	$t_{ODTon}$	MIN	1.75				ns	
		MAX	3.5					
Asynchronous $R_{TT}$ turn-off delay from ODT input	$t_{ODToff}$	MIN	1.75				ns	
		MAX	3.5					
Automatic $R_{TT}$ turn-on delay after READ data	$t_{AODTon}$	MAX	$t_{DQSCK} + 1.4 \times t_{DQSQmax} + t_{CK}(avg,min)$				ps	
Automatic $R_{TT}$ turn-off delay after READ data	$t_{AODToff}$	MIN	$t_{DQSCKmin} - 300$				ps	
$R_{TT}$ disable delay from power-down, self refresh, and deep power-down entry	$t_{ODTd}$	MAX	12				ns	
$R_{TT}$ enable delay from power-down and self refresh exit	$t_{ODTe}$	MAX	12				ns	
<b>CA Training Parameters</b>								
First CA calibration command following CA training entry	$t_{CAMRD}$	MIN	20				$t_{CK}(avg)$	
First CA calibration command following CKE LOW	$t_{CAENT}$	MIN	10				$t_{CK}(avg)$	
CA calibration exit command following CKE HIGH	$t_{CAEXT}$	MIN	10				$t_{CK}(avg)$	
CKE LOW following CA calibration mode entry	$t_{CACKEL}$	MIN	10				$t_{CK}(avg)$	
CKE HIGH following last CA calibration results	$t_{CACKEH}$	MIN	10				$t_{CK}(avg)$	

**Table 96: AC Timing (Continued)**

Notes 1–3 apply to all parameters and conditions

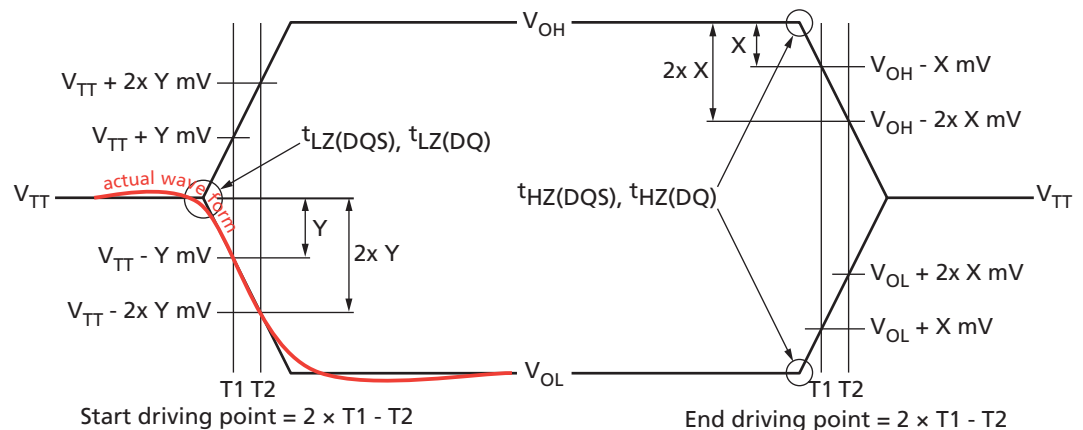
Parameter	Symbol	Min/Max	Data Rate				Unit	Notes
			1333	1600	1866	2133		
Data out delay after CA training calibration command entry	$t^{\text{ADR}}$	MAX	20				ns	
MRW CA exit command to DQ tri-state	$t^{\text{MRZ}}$	MIN	3				ns	
CA calibration command to CA calibration command delay	$t^{\text{CACD}}$	MIN	$RU(t^{\text{ADR}}/t^{\text{CK}}) + 2$				$t^{\text{CK}}(\text{avg})$	
<b>Write Leveling Parameters</b>								
DQS delay after write leveling mode is programmed	$t^{\text{WLDQSEN}}$	MIN	25				ns	
		MAX	–					
First DQS edge after write leveling mode is programmed	$t^{\text{WLMRD}}$	MIN	40				ns	
		MAX	–					
Write leveling output delay	$t^{\text{WLO}}$	MIN	0				ns	
		MAX	20					
Write leveling hold time	$t^{\text{WLH}}$	MIN	205	175	150	135	ps	
Write leveling setup time	$t^{\text{WLS}}$	MIN	205	175	150	135	ps	
<b>Temperature Derating Parameters</b>								
DQS output access time from CK (derated)	$t^{\text{DQSK}}$	MAX	5620				ps	
RAS-to-CAS delay (derated)	$t^{\text{RCD}}$	MIN	$t^{\text{RCD}} + 1.875$				ns	
ACTIVATE-to- ACTIVATE command period (derated)	$t^{\text{RC}}$	MIN	$t^{\text{RC}} + 1.875$				ns	
Row active time (derated)	$t^{\text{RAS}}$	MIN	$t^{\text{RAS}} + 1.875$				ns	
Row precharge time (derated)	$t^{\text{RP}}$	MIN	$t^{\text{RP}} + 1.875$				ns	
Active bank A to active bank B (derated)	$t^{\text{RRD}}$	MIN	$t^{\text{RRD}} + 1.875$				ns	

- Notes:
1. Frequency values are for reference only. Clock cycle time ( $t^{\text{CK}}$ ) is used to determine device capabilities.
  2. All AC timings assume an input slew rate of 2 V/ns.
  3. Measured with 4 V/ns differential  $CK\_t/CK\_c$  slew rate and nominal VIX.
  4. READ, WRITE, and input setup and hold values are referenced to  $V_{\text{REF}}$ .
  5.  $t^{\text{DQSKDS}}$  is the absolute value of the difference between any two  $t^{\text{DQSK}}$  measurements (in a byte lane) within a contiguous sequence of bursts in a 160ns rolling window.  $t^{\text{DQSKDS}}$  is not tested and is guaranteed by design. Temperature drift in the system is  $<10^{\circ}\text{C/s}$ . Values do not include clock jitter.
  6.  $t^{\text{DQSKDM}}$  is the absolute value of the difference between any two  $t^{\text{DQSK}}$  measurements (in a byte lane) within a 1.6 $\mu\text{s}$  rolling window.  $t^{\text{DQSKDM}}$  is not tested and is

guaranteed by design. Temperature drift in the system is  $<10^{\circ}\text{C/s}$ . Values do not include clock jitter.

7.  $t^{\text{DQ}}\text{SCKDL}$  is the absolute value of the difference between any two  $t^{\text{DQ}}\text{SCK}$  measurements (in a byte lane) within a 32ms rolling window.  $t^{\text{DQ}}\text{SCKDL}$  is not tested and is guaranteed by design. Temperature drift in the system is  $<10^{\circ}\text{C/s}$ . Values do not include clock jitter.
8. For LOW-to-HIGH and HIGH-to-LOW transitions, the timing reference is at the point when the signal crosses the transition threshold ( $V_{\text{TT}}$ ).  $t^{\text{HZ}}$  and  $t^{\text{LZ}}$  transitions occur in the same access time (with respect to clock) as valid data transitions. These parameters are not referenced to a specific voltage level but to the time when the device output is no longer driving (for  $t^{\text{RPST}}$ ,  $t^{\text{HZ}}(\text{DQS})$  and  $t^{\text{HZ}}(\text{DQ})$ ), or begins driving (for  $t^{\text{RPRE}}$ ,  $t^{\text{LZ}}(\text{DQS})$  and  $t^{\text{LZ}}(\text{DQ})$ ). The figure below shows a method to calculate the point when the device is no longer driving  $t^{\text{HZ}}(\text{DQS})$  and  $t^{\text{HZ}}(\text{DQ})$  or begins driving  $t^{\text{LZ}}(\text{DQS})$  and  $t^{\text{LZ}}(\text{DQ})$  by measuring the signal at two different voltages. The actual voltage measurement points are not critical as long as the calculation is consistent. The parameters  $t^{\text{LZ}}(\text{DQS})$ ,  $t^{\text{LZ}}(\text{DQ})$ ,  $t^{\text{HZ}}(\text{DQS})$ , and  $t^{\text{HZ}}(\text{DQ})$  are defined as single-ended. The timing parameters  $t^{\text{RPRE}}$  and  $t^{\text{RPST}}$  are determined from the differential signal DQS.

### Output Transition Timing



9. Measured from the point when DQS begins driving the signal, to the point when DQS begins driving the first rising strobe edge.
10. Measured from the last falling strobe edge of DQS to the point when DQS finishes driving the signal.
11. CK input setup time is measured from CK reaching a HIGH/LOW voltage level to CK crossing.
12. CK input hold time is measured from CK crossing to CK reaching a HIGH/LOW voltage level.
13. Input setup/hold time for signal (CA[9:0], CS\_n).
14. To ensure device operation before the device is configured, a number of AC boot timing parameters are defined in this table. Boot parameter symbols have the letter b appended (for example,  $t^{\text{CK}}$  during boot is  $t^{\text{CKb}}$ ).
15. Mobile LPDDR3 devices set some mode register default values upon receiving a RESET (MRW) command, as specified in Mode Register Definition.
16. The output skew parameters are measured with default output impedance settings using the reference load.
17. The minimum  $t^{\text{CK}}$  column applies only when  $t^{\text{CK}}$  is greater than 6ns.
18. DRAM devices should be evenly addressed when being accessed. Disproportionate accesses to a particular row address may result in a reduction of REFRESH characteristics or product lifetime.

## CA and CS<sub>n</sub> Setup, Hold, and Derating

For all input signals (CA and CS<sub>n</sub>), the total required setup time ( $t^1S$ ) and hold time ( $t^1H$ ) is calculated by adding the data sheet  $t^1S$  (base) and  $t^1H$  (base) values to the  $\Delta t^1S$  and  $\Delta t^1H$  derating values, respectively. Example:  $t^1S$  (total setup time) =  $t^1S$ (base) +  $\Delta t^1S$ . (See the series of tables following this section.)

The typical setup slew rate ( $t^1S$ ) for a rising signal is defined as the slew rate between the last crossing of  $V_{REF(DC)}$  and the first crossing of  $V_{IH(AC)min}$ . The typical setup slew rate for a falling signal is defined as the slew rate between the last crossing of  $V_{REF(DC)}$  and the first crossing of  $V_{IL(AC)max}$ . If the actual signal is consistently earlier than the typical slew rate line between the shaded  $V_{REF(DC)}$ -to-(AC) region, use the typical slew rate for the derating value (see the Typical Slew Rate and  $t^1VAC - t^1S$  for CA and CS<sub>n</sub> Relative to Clock figure). If the actual signal is later than the typical slew rate line anywhere between the shaded  $V_{REF(DC)}$ -to-AC region, the slew rate of a tangent line to the actual signal from the AC level to the DC level is used for the derating value (see the Tangent Line -  $t^1S$  for CA and CS<sub>n</sub> Relative to Clock figure).

The hold ( $t^1H$ ) typical slew rate for a rising signal is defined as the slew rate between the last crossing of  $V_{IL(DC)max}$  and the first crossing of  $V_{REF(DC)}$ . The hold ( $t^1H$ ) typical slew rate for a falling signal is defined as the slew rate between the last crossing of  $V_{IH(DC)min}$  and the first crossing of  $V_{REF(DC)}$ . If the actual signal is consistently later than the typical slew rate line between the shaded DC-to- $V_{REF(DC)}$  region, use the typical slew rate for the derating value (see the Typical Slew Rate -  $t^1H$  for CA and CS<sub>n</sub> Relative to Clock figure). If the actual signal is earlier than the typical slew rate line anywhere between the shaded DC-to- $V_{REF(DC)}$  region, the slew rate of a tangent line to the actual signal from the DC level to  $V_{REF(DC)}$  level is used for the derating value (see the Tangent Line -  $t^1H$  for CA and CS<sub>n</sub> Relative to Clock figure).

For a valid transition, the input signal must remain above or below  $V_{IH}/V_{IL(AC)}$  for a specified time,  $t^1VAC$  (see the Required Time for Valid Transition -  $t^1VAC > V_{IH(AC)}$  and  $< V_{IL(AC)}$  table).

For slow slew rates, the total setup time could be a negative value (that is, a valid input signal will not have reached  $V_{IH}/V_{IL(AC)}$  at the time of the rising clock transition). A valid input signal is still required to complete the transition and reach  $V_{IH}/V_{IL(AC)}$ .

For slew rates between the values listed in the Derating Values for AC/DC-Based  $t^1S/t^1H$  (AC150) table, the derating values are obtained using linear interpolation. Slew rate values are not typically subject to production testing. They are verified by design and characterization.

**Table 97: CA Setup and Hold Base Values**

Parameter	Data Rate				Reference
	1333	1600	1866	2133	
$t^1SCA$ (base)	100	75	–	–	$V_{IH}/V_{IL(AC)} = V_{REF(DC)} \pm 150mV$
$t^1SCA$ (base)	–	–	62.5	47.5	$V_{IH}/V_{IL(AC)} = V_{REF(DC)} \pm 135mV$
$t^1HCA$ (base)	125	100	80	65	$V_{IH}/V_{IL(DC)} = V_{REF(DC)} \pm 100mV$

Note: 1. AC/DC referenced for 2 V/ns CA slew rate and 4 V/ns differential CK slew rate.



Table 98: CS\_n Setup and Hold Base Values

Parameter	Data Rate				Reference
	1333	1600	1866	2133	
t <sup>1</sup> ISCS (base)	215	195	–	–	V <sub>IH</sub> /V <sub>IL(AC)</sub> = V <sub>REF(DC)</sub> ±150mV
t <sup>1</sup> ISCS (base)	–	–	162.5	137.5	V <sub>IH</sub> /V <sub>IL(AC)</sub> = V <sub>REF(DC)</sub> ±135mV
t <sup>1</sup> IHCS (base)	240	220	180	155	V <sub>IH</sub> /V <sub>IL(DC)</sub> = V <sub>REF(DC)</sub> ±100mV

Note: 1. AC/DC referenced for 2 V/ns CS\_n slew rate, and 4 V/ns differential CK slew rate.

Table 99: Derating Values for AC/DC-Based t<sup>1</sup>IS/t<sup>1</sup>IH (AC150)

Δt<sup>1</sup>IS, Δt<sup>1</sup>IH derating in ps

		Δt <sup>1</sup> IS, Δt <sup>1</sup> IH Derating in [ps] AC/DC-based											
		AC150 Threshold -> V <sub>IH(ac)</sub> = V <sub>REF(dc)</sub> +150mV, V <sub>IL(ac)</sub> = V <sub>REF(dc)</sub> - 150mV DC100 Threshold -> V <sub>IH(dc)</sub> = V <sub>REF(dc)</sub> + 100mV, V <sub>IL(dc)</sub> = V <sub>REF(dc)</sub> - 100mV											
		CK_t, CK_c Differential Slew Rate											
		8.0 V/ns		7.0 V/ns		6.0 V/ns		5.0 V/ns		4.0 V/ns		3.0 V/ns	
		Δt <sup>1</sup> IS	Δt <sup>1</sup> IH	Δt <sup>1</sup> IS	Δt <sup>1</sup> IH	Δt <sup>1</sup> IS	Δt <sup>1</sup> IH	Δt <sup>1</sup> IS	Δt <sup>1</sup> IH	Δt <sup>1</sup> IS	Δt <sup>1</sup> IH	Δt <sup>1</sup> IS	Δt <sup>1</sup> IH
CA, CS_n slew rate V/ns	4.0	38	25	38	25	38	25	38	25	38	25		
	3.0			25	17	25	17	25	17	25	17	38	29
	2.0					0	0	0	0	0	0	13	13
	1.5							-25	-17	-25	-17	-12	-4

Note: 1. Shaded cells are not supported.

Table 100: Derating Values for AC/DC-Based t<sup>1</sup>IS/t<sup>1</sup>IH (AC135)

Δt<sup>1</sup>IS, Δt<sup>1</sup>IH derating in ps

		Δt <sup>1</sup> IS, Δt <sup>1</sup> IH Derating in [ps] AC/DC-based											
		AC135 Threshold -> V <sub>IH(ac)</sub> = V <sub>REF(dc)</sub> +135mV, V <sub>IL(ac)</sub> = V <sub>REF(dc)</sub> - 135mV DC100 Threshold -> V <sub>IH(dc)</sub> = V <sub>REF(dc)</sub> + 100mV, V <sub>IL(dc)</sub> = V <sub>REF(dc)</sub> - 100mV											
		CK_t, CK_c Differential Slew Rate											
		8.0 V/ns		7.0 V/ns		6.0 V/ns		5.0 V/ns		4.0 V/ns		3.0 V/ns	
		Δt <sup>1</sup> IS	Δt <sup>1</sup> IH	Δt <sup>1</sup> IS	Δt <sup>1</sup> IH	Δt <sup>1</sup> IS	Δt <sup>1</sup> IH	Δt <sup>1</sup> IS	Δt <sup>1</sup> IH	Δt <sup>1</sup> IS	Δt <sup>1</sup> IH	Δt <sup>1</sup> IS	Δt <sup>1</sup> IH
CA, CS_n slew rate V/ns	4.0	34	25	34	25	34	25	34	25	34	25		
	3.0			23	17	23	17	23	17	23	17	34	29
	2.0					0	0	0	0	0	0	11	13
	1.5							-23	-17	-23	-17	-12	-4

Note: 1. Shaded cells are not supported.



**Table 101: Required Time for Valid Transition –  $t_{VAC} > V_{IH(AC)}$  and  $< V_{IL(AC)}$**

Slew Rate (V/ns)	$t_{VAC}$ at 150mV (ps) 1333 Mb/s		$t_{VAC}$ at 150mV (ps) 1600 Mb/s		$t_{VAC}$ at 135mV (ps) 1866 Mb/s		$t_{VAC}$ at 135mV (ps) 2133 Mb/s	
	Min	Max	Min	Max	Min	Max	Min	Max
>4.0	58	–	48	–	40	–	34	–
4.0	58	–	48	–	40	–	34	–
3.5	56	–	46	–	39	–	33	–
3.0	53	–	43	–	36	–	30	–
2.5	50	–	40	–	33	–	27	–
2.0	45	–	35	–	29	–	23	–
1.5	37	–	27	–	21	–	15	–
<1.5	37	–	27	–	21	–	15	–



**Figure 86: Typical Slew Rate and  $t^{\text{VAC}} - t^{\text{IS}}$  for CA and CS\_n Relative to Clock**

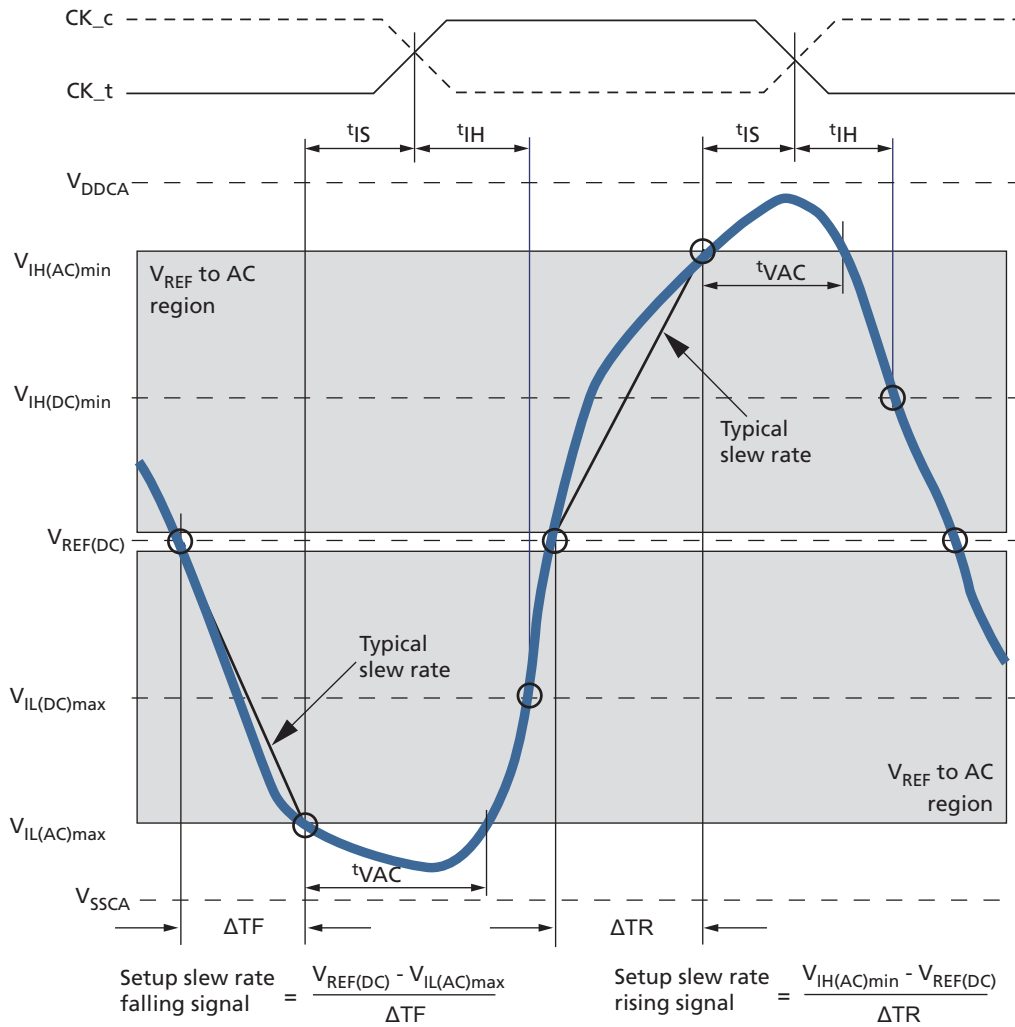
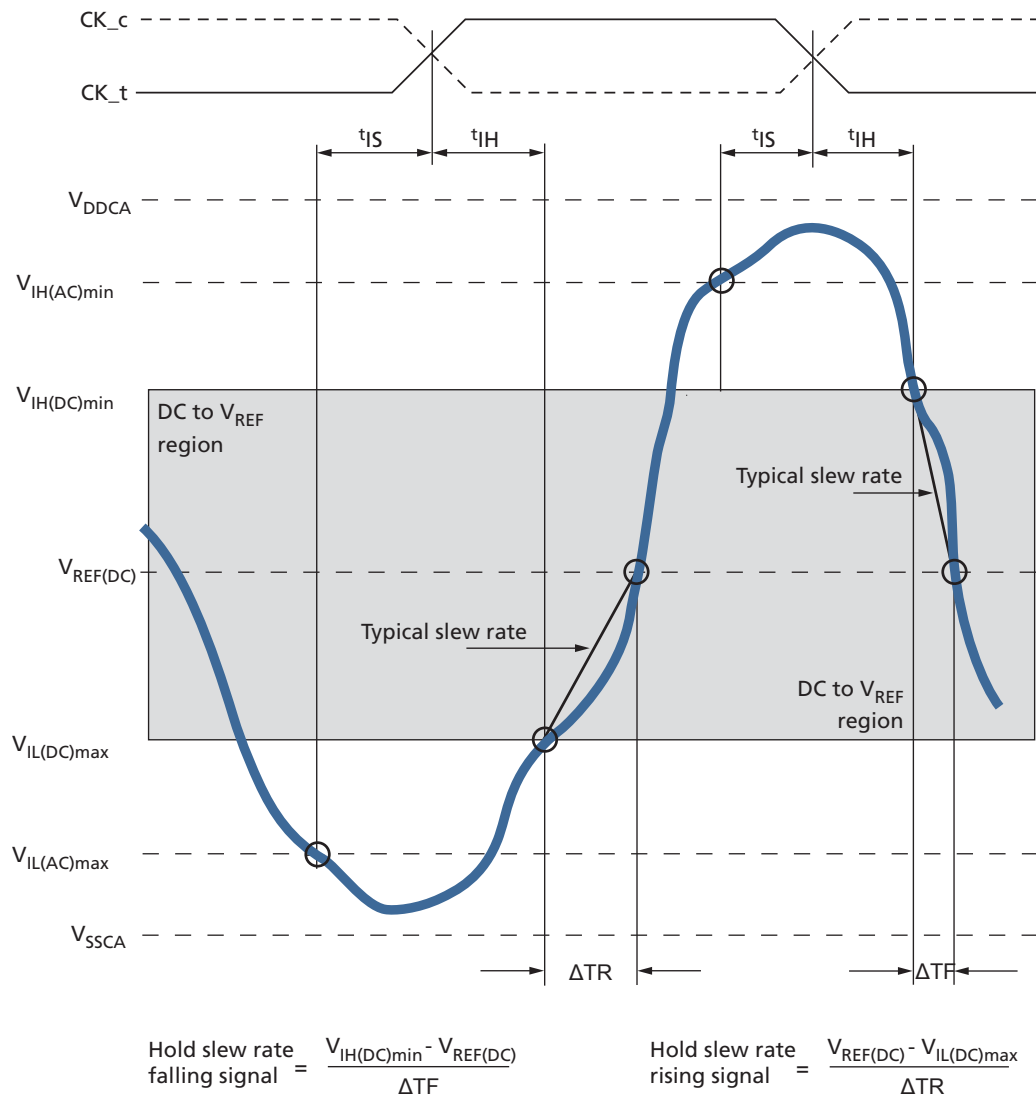
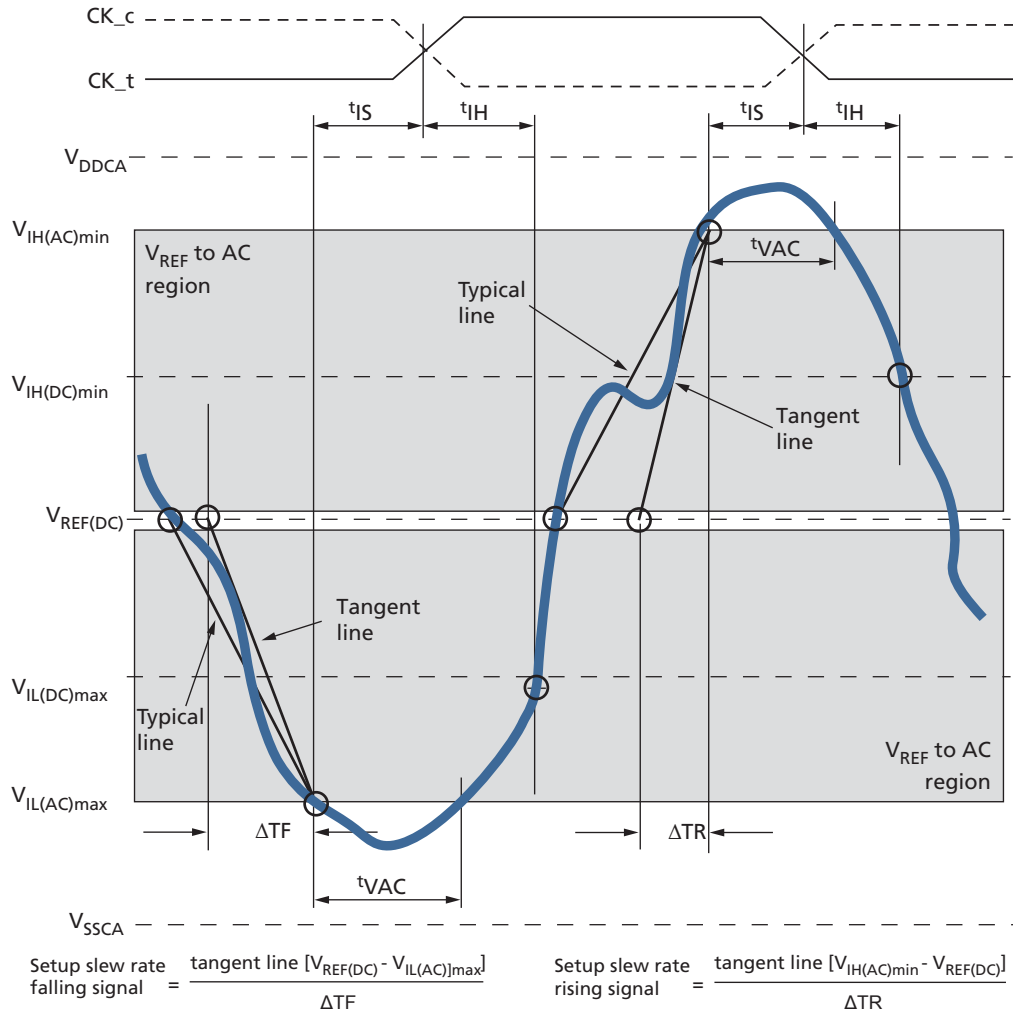


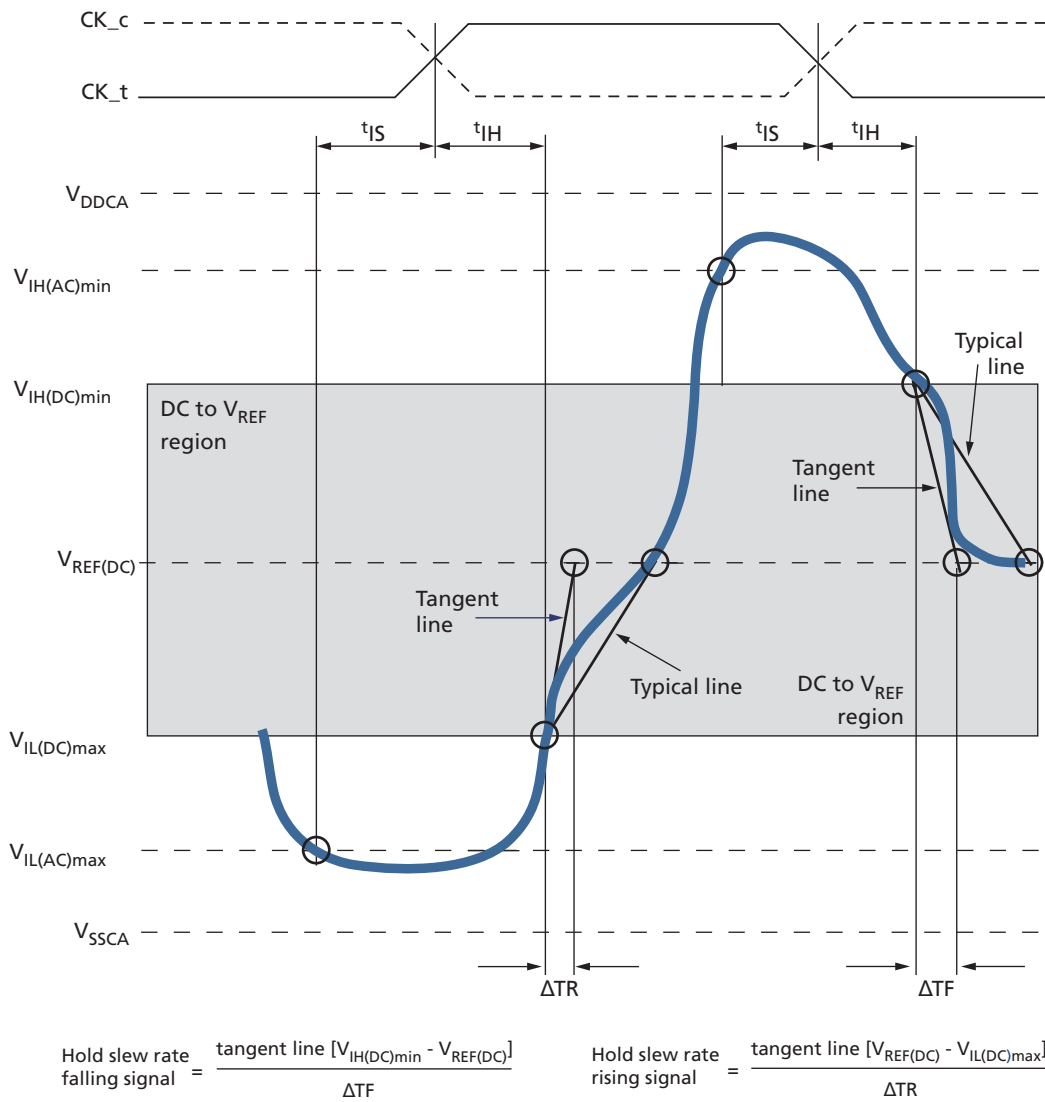
Figure 87: Typical Slew Rate – t<sub>IH</sub> for CA and CS\_n Relative to Clock



**Figure 88: Tangent Line – t<sub>IS</sub> for CA and CS<sub>n</sub> Relative to Clock**



**Figure 89: Tangent Line – t<sub>IH</sub> for CA and CS<sub>n</sub> Relative to Clock**



## Data Setup, Hold, and Slew Rate Derating

For all input signals (DQ, DM) calculate the total required setup time ( $t_{DS}$ ) and hold time ( $t_{DH}$ ) by adding the data sheet  $t_{DS}(\text{base})$  and  $t_{DH}(\text{base})$  values (see the Data Setup and Hold Base Values table) to the  $\Delta t_{DS}$  and  $\Delta t_{DH}$  derating values, respectively (see the Derating Values for AC/DC-Based  $t_{DS}/t_{DH}$  (AC150) table). Example:  $t_{DS} = t_{DS}(\text{base}) + \Delta t_{DS}$ .

The typical  $t_{DS}$  slew rate for a rising signal is defined as the slew rate between the last crossing of  $V_{REF(DC)}$  and the first crossing of  $V_{IH(AC)\text{min}}$ . The typical  $t_{DS}$  slew rate for a falling signal is defined as the slew rate between the last crossing of  $V_{REF(DC)}$  and the first crossing of  $V_{IL(AC)\text{max}}$  (see the Typical Slew Rate and  $t_{VAC} - t_{DS}$  for DQ Relative to Strobe figure).

If the actual signal is consistently earlier than the typical slew rate line in the Typical Slew Rate and  $t_{VAC} - t_{IS}$  for CA and CS\_n Relative to Clock figure in the area shaded gray between the  $V_{REF(DC)}$  region and the AC region, use the typical slew rate for the derating value. If the actual signal is later than the typical slew rate line anywhere between the shaded  $V_{REF(DC)}$  region and the AC region, the slew rate of a tangent line to the actual signal from the AC level to the DC level is used for the derating value (see the Tangent Line -  $t_{IS}$  for CA and CS\_n Relative to Clock figure).

The typical  $t_{DH}$  slew rate for a rising signal is defined as the slew rate between the last crossing of  $V_{IL(DC)\text{max}}$  and the first crossing of  $V_{REF(DC)}$ . The typical  $t_{DH}$  slew rate for a falling signal is defined as the slew rate between the last crossing of  $V_{IH(DC)\text{min}}$  and the first crossing of  $V_{REF(DC)}$  (see the Typical Slew Rate -  $t_{DH}$  for DQ Relative to Strobe figure).

If the actual signal is consistently later than the typical slew rate line between the shaded DC-level-to- $V_{REF(DC)}$  region, use the typical slew rate for the derating value. If the actual signal is earlier than the typical slew rate line anywhere between shaded DC-to- $V_{REF(DC)}$  region, the slew rate of a tangent line to the actual signal from the DC level to the  $V_{REF(DC)}$  level is used for the derating value (see the Tangent Line -  $t_{DH}$  for DQ with Respect to Strobe figure).

For a valid transition, the input signal must remain above or below  $V_{IH}/V_{IL(AC)}$  for the specified time,  $t_{VAC}$  (see the Required Time for Valid Transition -  $t_{VAC} > V_{IH(AC)}$  or  $< V_{IL(AC)}$  table).

The total setup time for slow slew rates could be negative (that is, a valid input signal may not have reached  $V_{IH}/V_{IL(AC)}$  at the time of the rising clock transition). A valid input signal is still required to complete the transition and reach  $V_{IH}/V_{IL(AC)}$ .

For slew rates between the values listed in the following table, the derating values can be obtained using linear interpolation. Slew rate values are not typically subject to production testing. They are verified by design and characterization.



**Table 102: Data Setup and Hold Base Values**

Parameter	Data Rate				Reference
	1333	1600	1866	2133	
$t_{DS}$ (base)	100	75	–	–	$V_{IH}/V_{IL(AC)} = V_{REF(DC)} \pm 150mV$
$t_{DS}$ (base)	–	–	62.5	47.5	$V_{IH}/V_{IL(AC)} = V_{REF(DC)} \pm 135mV$
$t_{DH}$ (base)	125	100	80	65	$V_{IH}/V_{IL(DC)} = V_{REF(DC)} \pm 100mV$

Note: 1. AC/DC referenced for 2 V/ns DQ, DM slew rate, and 4 V/ns differential DQS slew rate and nominal  $V_{IX}$ .

**Table 103: Derating Values for AC/DC-Based  $t_{DS}/t_{DH}$  (AC150)**

$\Delta t_{DS}$ ,  $\Delta t_{DH}$  derating in ps

		<b><math>\Delta t_{DS}</math>, <math>\Delta t_{DH}</math> Derating in [ps] AC/DC-based</b>											
		<b>AC150 Threshold -&gt; <math>V_{IH(ac)} = V_{REF(dc)} + 150mV</math>, <math>V_{IL(ac)} = V_{REF(dc)} - 150mV</math></b>											
		<b>DC100 Threshold -&gt; <math>V_{IH(dc)} = V_{REF(dc)} + 100mV</math>, <math>V_{IL(dc)} = V_{REF(dc)} - 100mV</math></b>											
		<b>DQS_t, DQS_c Differential Slew Rate</b>											
		8.0 V/ns		7.0 V/ns		6.0 V/ns		5.0 V/ns		4.0 V/ns		3.0 V/ns	
		$\Delta t_{IS}$	$\Delta t_{IH}$	$\Delta t_{IS}$	$\Delta t_{IH}$	$\Delta t_{IS}$	$\Delta t_{IH}$	$\Delta t_{IS}$	$\Delta t_{IH}$	$\Delta t_{IS}$	$\Delta t_{IH}$	$\Delta t_{IS}$	$\Delta t_{IH}$
DQ, DM slew rate V/ns	4.0	38	25	38	25	38	25	38	25	38	25		
	3.0			25	17	25	17	25	17	25	17	38	29
	2.0					0	0	0	0	0	0	13	13
	1.5							-25	-17	-25	-17	-12	-4

Note: 1. Shaded cells are not supported.

**Table 104: Derating Values for AC/DC-Based  $t_{DS}/t_{DH}$  (AC135)**

$\Delta t_{DS}$ ,  $\Delta t_{DH}$  derating in ps

		<b><math>\Delta t_{DS}</math>, <math>\Delta t_{DH}</math> Derating in [ps] AC/DC-based</b>											
		<b>AC135 Threshold -&gt; <math>V_{IH(ac)} = V_{REF(dc)} + 135mV</math>, <math>V_{IL(ac)} = V_{REF(dc)} - 135mV</math></b>											
		<b>DC100 Threshold -&gt; <math>V_{IH(dc)} = V_{REF(dc)} + 100mV</math>, <math>V_{IL(dc)} = V_{REF(dc)} - 100mV</math></b>											
		<b>DQS_t, DQS_c Differential Slew Rate</b>											
		8.0 V/ns		7.0 V/ns		6.0 V/ns		5.0 V/ns		4.0 V/ns		3.0 V/ns	
		$\Delta t_{IS}$	$\Delta t_{IH}$	$\Delta t_{IS}$	$\Delta t_{IH}$	$\Delta t_{IS}$	$\Delta t_{IH}$	$\Delta t_{IS}$	$\Delta t_{IH}$	$\Delta t_{IS}$	$\Delta t_{IH}$	$\Delta t_{IS}$	$\Delta t_{IH}$
DQ, DM slew rate V/ns	4.0	34	25	34	25	34	25	34	25	34	25		
	3.0			23	17	23	17	23	17	23	17	34	29
	2.0					0	0	0	0	0	0	11	13
	1.5							-23	-17	-23	-17	-12	-4

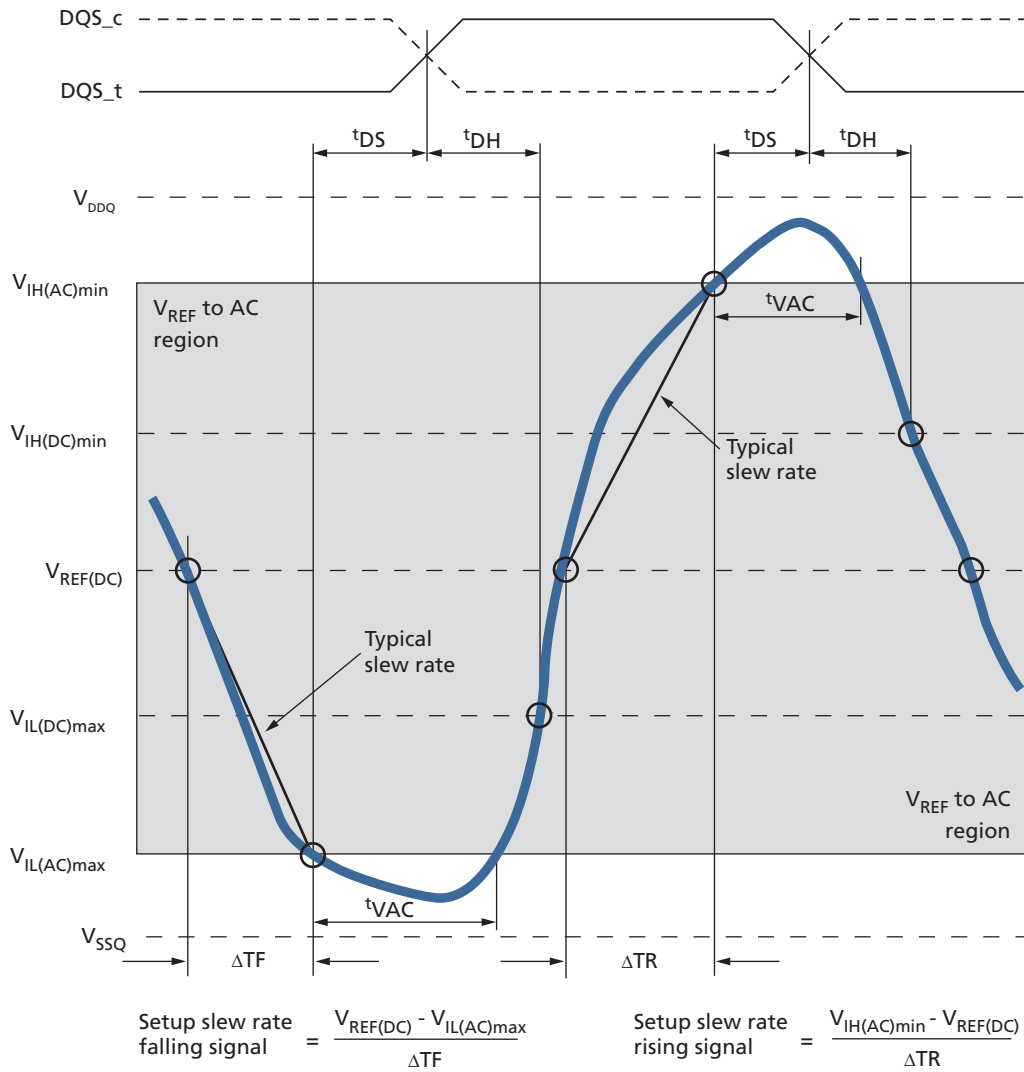
Note: 1. Shaded cells are not supported.



Table 105: Required Time for Valid Transition –  $t_{VAC} > V_{IH(AC)}$  or  $< V_{IL(AC)}$

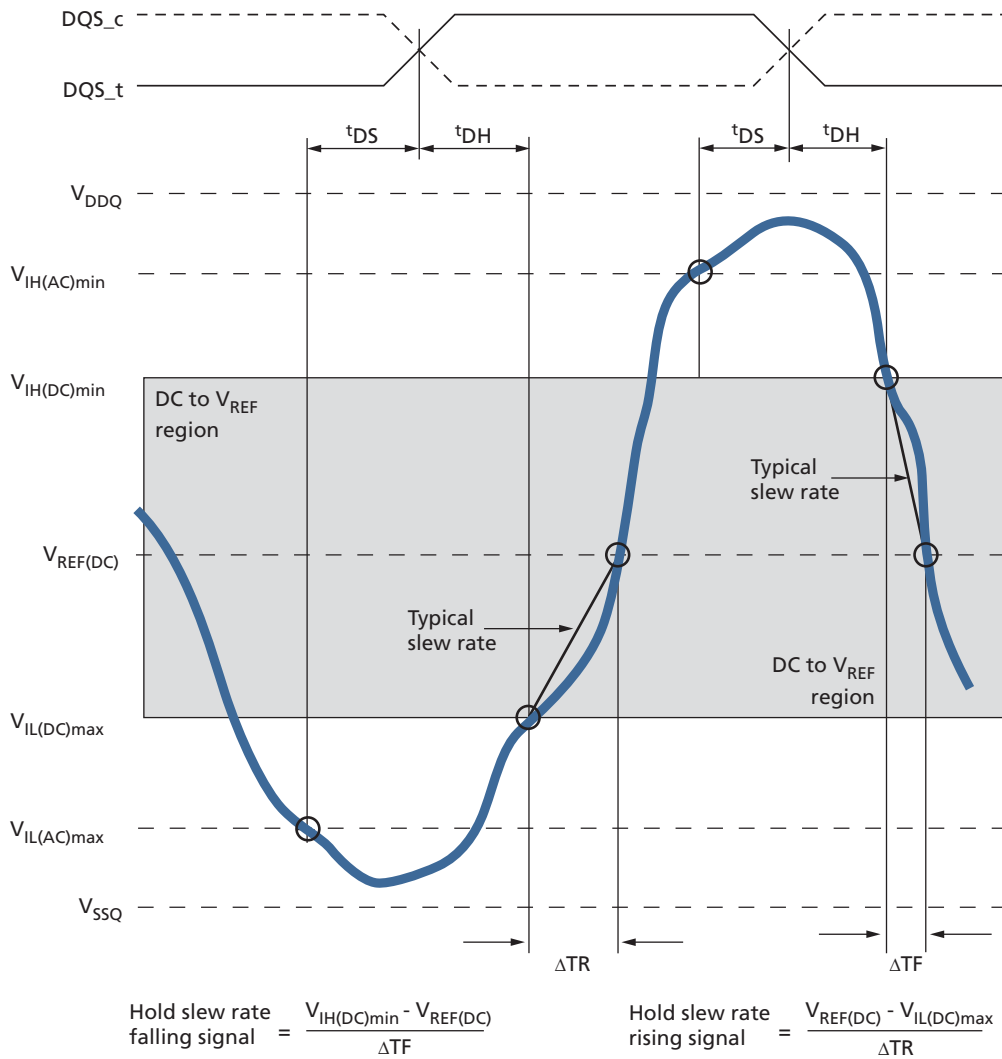
Slew Rate (V/ns)	$t_{VAC}$ at 150mV (ps) 1333 Mb/s		$t_{VAC}$ at 150mV (ps) 1600 Mb/s		$t_{VAC}$ at 135mV (ps) 1866 Mb/s		$t_{VAC}$ at 135mV (ps) 2133 Mb/s	
	Min	Max	Min	Max	Min	Max	Min	Max
>4.0	58	–	48	–	40	–	34	–
4.0	58	–	48	–	40	–	34	–
3.5	56	–	46	–	39	–	33	–
3.0	53	–	43	–	36	–	30	–
2.5	50	–	40	–	33	–	27	–
2.0	45	–	35	–	29	–	23	–
1.5	37	–	27	–	21	–	15	–
<1.5	37	–	27	–	21	–	15	–

**Figure 90: Typical Slew Rate and  $t_{VAC} - t_{DS}$  for DQ Relative to Strobe**

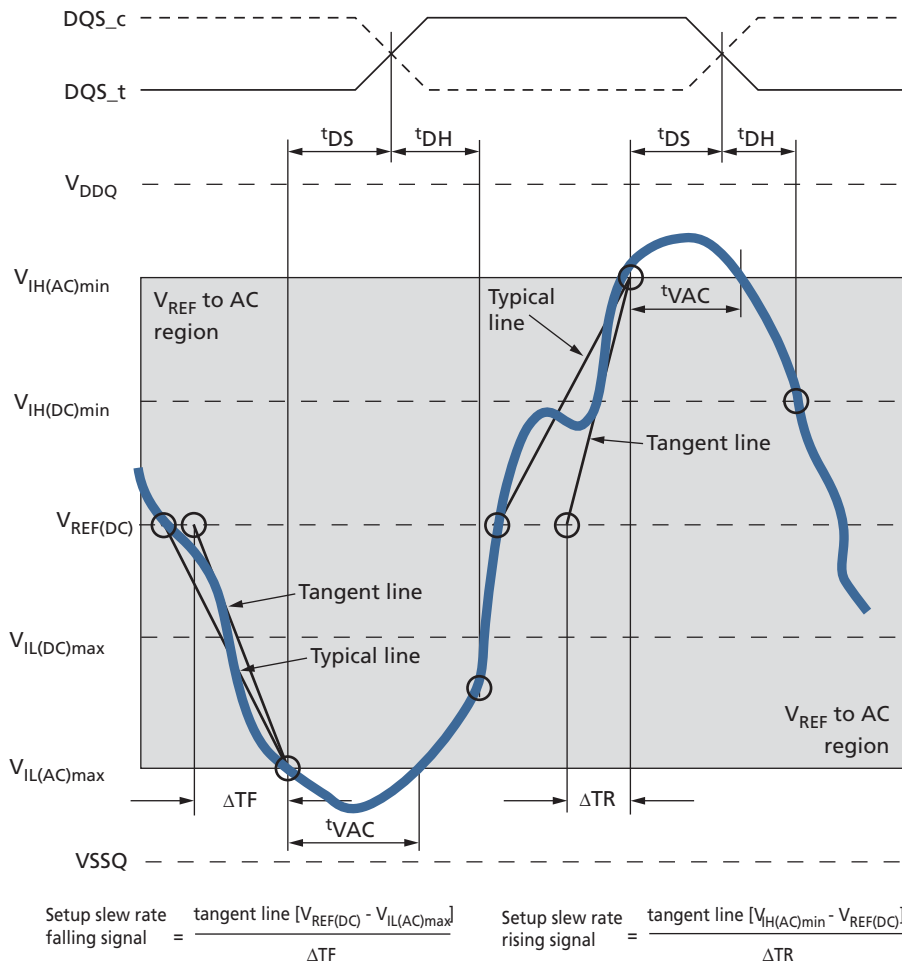




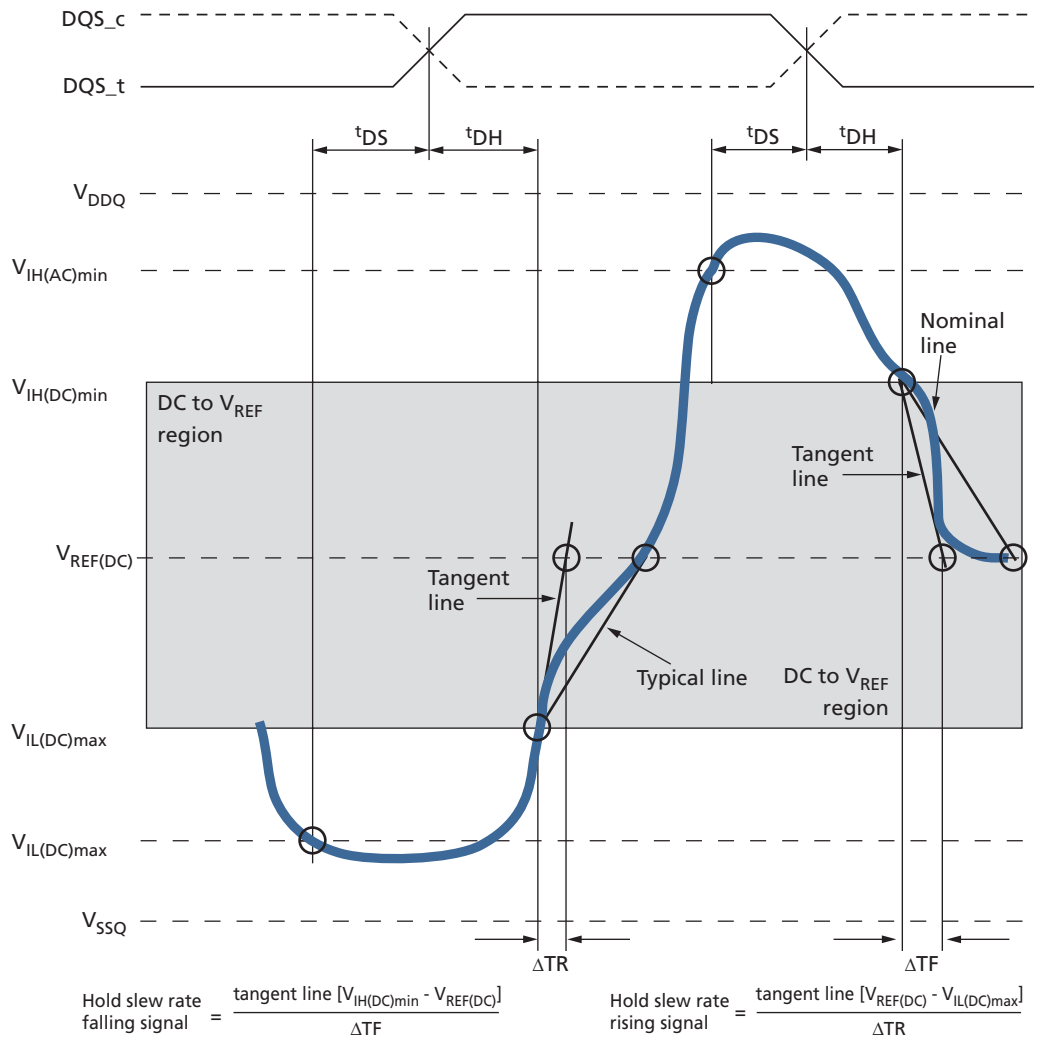
**Figure 91: Typical Slew Rate – t<sub>DH</sub> for DQ Relative to Strobe**



**Figure 92: Tangent Line –  $t_{DS}$  for DQ with Respect to Strobe**



**Figure 93: Tangent Line – t<sub>DH</sub> for DQ with Respect to Strobe**



## Revision History

### Rev. E – 5/2020

- Updated Note18 for AC Timing Table
- Deleted Speed grade: 1600Mb/s

### Rev. D – 4/16

- Updated legal status of MT52L1G32D4PG (QDP) from Preliminary to Production

### Rev. C – 3/16

- Updated legal status from Preliminary to Production except QDP MT52L1G32D4PG
- Updated SDP Pin Capacitance  $C_{CK}$  from 0.5pF max to 1.5pF max

### Rev. B – 9/15

- Updated Pin Capacitance and  $I_{DD}$

### Rev. A – 11/14

- Initial release

8000 S. Federal Way, P.O. Box 6, Boise, ID 83707-0006, Tel: 208-368-4000  
[www.micron.com/products/support](http://www.micron.com/products/support) Sales inquiries: 800-932-4992  
Micron and the Micron logo are trademarks of Micron Technology, Inc.  
All other trademarks are the property of their respective owners.

This data sheet contains minimum and maximum limits specified over the power supply and temperature range set forth herein. Although considered final, these specifications are subject to change, as further product development and data characterization sometimes occur.