

# SN54F151B, SN74F151B 1-OF-8 DATA SELECTORS/MULTIPLEXERS

SDFS023A – D2932, MARCH 1987 – REVISED OCTOBER 1993

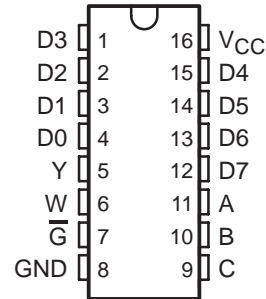
- **8-Line to 1-Line Multiplexers Can Perform as:**
  - Boolean Function Generators
  - Parallel-to-Serial Converters
  - Data Source Selectors
- **Package Options Include Plastic Small-Outline Packages, Ceramic Chip Carriers, and Standard Plastic and Ceramic 300-mil DIPs**

## description

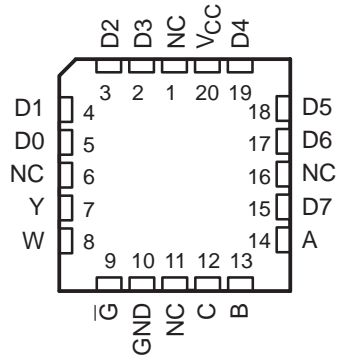
These monolithic data selectors/multiplexers provide full binary decoding to select one of eight data sources. The strobe ( $\overline{G}$ ) input must be at a low logic level to enable the data selection/multiplexing function. A high level at the strobe terminal forces the W output high and the Y output low.

The SN54F151B is characterized for operation over the full military temperature range of  $-55^{\circ}\text{C}$  to  $125^{\circ}\text{C}$ . The SN74F151B is characterized for operation from  $0^{\circ}\text{C}$  to  $70^{\circ}\text{C}$ .

SN54F151B . . . J PACKAGE  
SN74F151B . . . D OR N PACKAGE  
(TOP VIEW)



SN54F151B . . . FK PACKAGE  
(TOP VIEW)



NC – No internal connection

FUNCTION TABLE

INPUTS				OUTPUTS	
SELECT			STROBE	Y	W
C	B	A	$\overline{G}$		
X	X	X	H	L	H
L	L	L	L	D0	$\overline{D0}$
L	L	H	L	D1	$\overline{D1}$
L	H	L	L	D2	$\overline{D2}$
L	H	H	L	D3	$\overline{D3}$
H	L	L	L	D4	$\overline{D4}$
H	L	H	L	D5	$\overline{D5}$
H	H	L	L	D6	$\overline{D6}$
H	H	H	L	D7	$\overline{D7}$

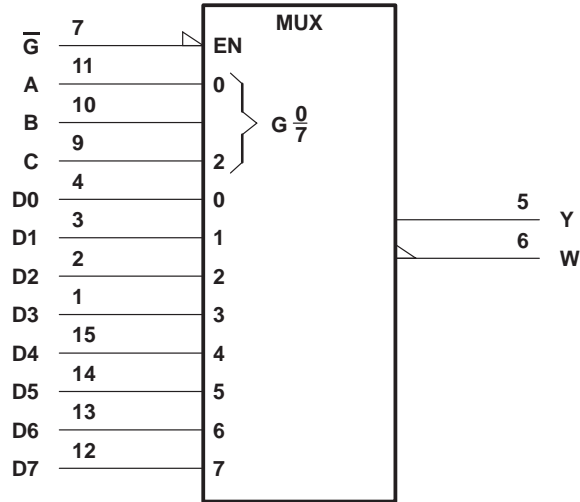
D0, D1, . . . D7 = the level of the respective D input.

# SN54F151B, SN74F151B 1-OF-8 DATA SELECTORS/MULTIPLEXERS

SDFS023A – D2932, MARCH 1987 – REVISED OCTOBER 1993

---

logic symbol†

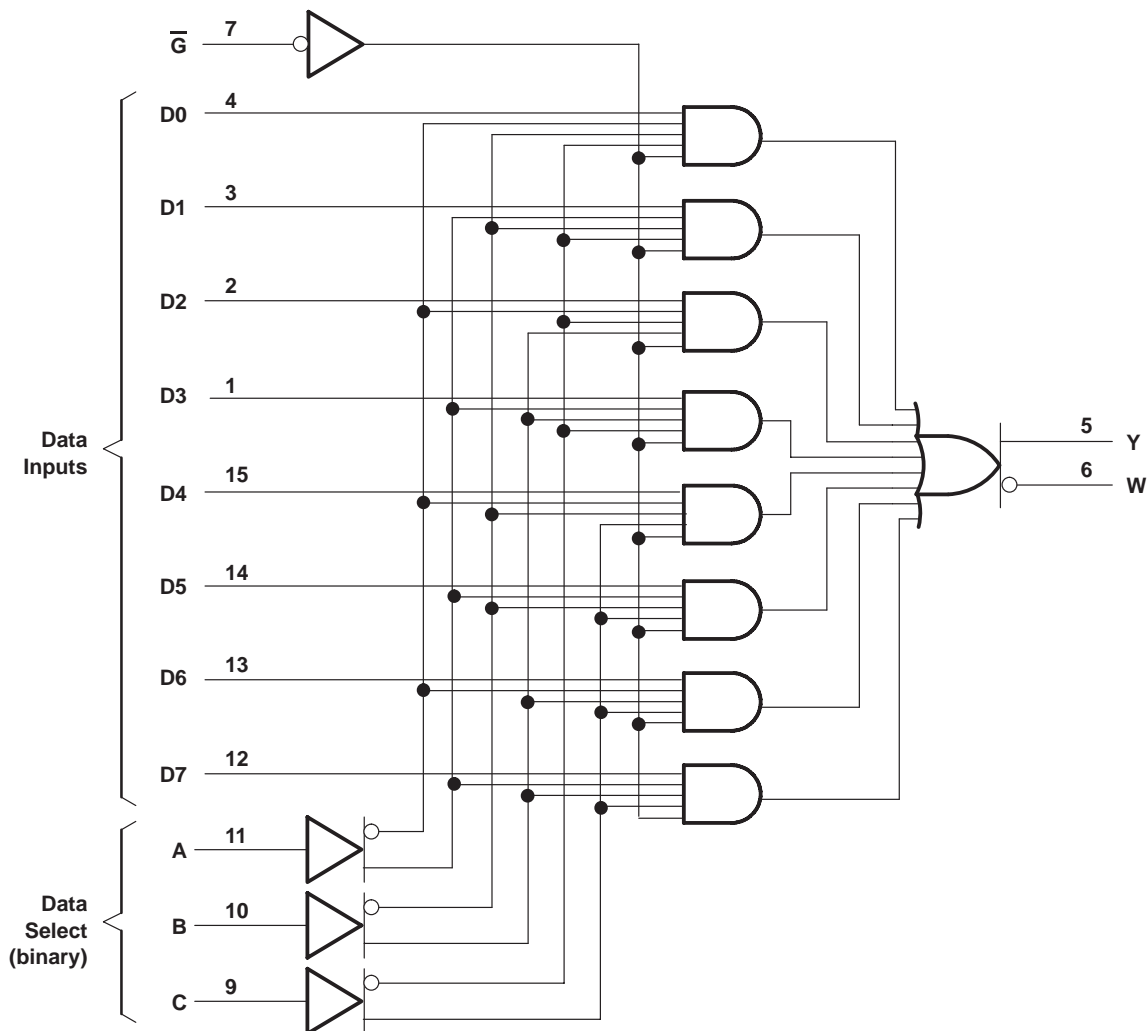


† This symbol is in accordance with ANSI/IEEE Std 91-1984 and IEC Publication 617-12.  
Pin numbers shown are for the D, J, and N packages.

# SN54F151B, SN74F151B 1-OF-8 DATA SELECTORS/MULTIPLEXERS

SDFS023A – D2932, MARCH 1987 – REVISED OCTOBER 1993

## logic diagram (positive logic)



Pin numbers shown are for the D, J, and N packages.

## absolute maximum ratings over operating free-air temperature range (unless otherwise noted)†

Supply voltage range, $V_{CC}$ .....	-0.5 V to 7 V
Input voltage range (see Note 1) .....	-1.2 V to 7 V
Input current range .....	-30 mA to 5 mA
Voltage range applied to any output in the high state .....	-0.5 V to $V_{CC}$
Current into any output in the low state: SN54F151B .....	40 mA
SN74F151B .....	48 mA
Operating free-air temperature range: SN54F151B .....	-55°C to 125°C
SN74F151B .....	0°C to 70°C
Storage temperature range .....	-65°C to 150°C

† Stresses beyond those listed under "absolute maximum ratings" may cause permanent damage to the device. These are stress ratings only and functional operation of the device at these or any other conditions beyond those indicated under "recommended operating conditions" is not implied. Exposure to absolute-maximum-rated conditions for extended periods may affect device reliability.

NOTE 1: The input voltage rating may be exceeded provided that the input current rating is observed.



# SN54F151B, SN74F151B

## 1-OF-8 DATA SELECTORS/MULTIPLEXERS

SDFS023A – D2932, MARCH 1987 – REVISED OCTOBER 1993

### recommended operating conditions

		SN54F151B			SN74F151B			UNIT
		MIN	NOM	MAX	MIN	NOM	MAX	
V <sub>CC</sub>	Supply voltage	4.5	5	5.5	4.5	5	5.5	V
V <sub>IH</sub>	High-level input voltage	2			2			V
V <sub>IL</sub>	Low-level input voltage			0.8			0.8	V
I <sub>IK</sub>	Input clamp current			-18			-18	mA
I <sub>OH</sub>	High-level output current			-1			-1	mA
I <sub>OL</sub>	Low-level output current			20			24	mA
T <sub>A</sub>	Operating free-air temperature	-55		125	0		70	°C

### electrical characteristics over recommended operating free-air temperature range (unless otherwise noted)

PARAMETER	TEST CONDITIONS		SN54F151B			SN74F151B			UNIT
			MIN	TYP†	MAX	MIN	TYP†	MAX	
V <sub>IK</sub>	V <sub>CC</sub> = 4.5 V,	I <sub>I</sub> = -18 mA			-1.2			-1.2	V
V <sub>OH</sub>	V <sub>CC</sub> = 4.5 V,	I <sub>OH</sub> = -1 mA	2.5	3.4		2.5	3.4		V
	V <sub>CC</sub> = 4.75 V,	I <sub>OH</sub> = -1 mA				2.7			
V <sub>OL</sub>	V <sub>CC</sub> = 4.5 V,	I <sub>OL</sub> = 20 mA		0.3	0.5		0.3	0.5	V
I <sub>I</sub>	V <sub>CC</sub> = 5.5 V,	V <sub>I</sub> = 7 V			0.1			0.1	mA
I <sub>IH</sub>	V <sub>CC</sub> = 5.5 V,	V <sub>I</sub> = 2.7 V			20			20	μA
I <sub>IL</sub>	V <sub>CC</sub> = 5.5 V,	V <sub>I</sub> = 0.5 V			-0.6			-0.6	mA
I <sub>OS</sub> ‡	V <sub>CC</sub> = 5.5 V,	V <sub>O</sub> = 0	-60		-150	-60		-150	mA
I <sub>CC</sub>	V <sub>CC</sub> = 5.5 V,	V <sub>I</sub> = 4.5 V		13.5	21		13.5	21	mA

† All typical values are at V<sub>CC</sub> = 5 V, T<sub>A</sub> = 25°C.

‡ Not more than one output should be shorted at a time, and the duration of the short circuit should not exceed one second.

### switching characteristics (see Note 2)

PARAMETER	FROM (INPUT)	TO (OUTPUT)	V <sub>CC</sub> = 5 V, C <sub>L</sub> = 50 pF, R <sub>L</sub> = 500 Ω, T <sub>A</sub> = 25°C			V <sub>CC</sub> = 4.5 V to 5.5 V, C <sub>L</sub> = 50 pF, R <sub>L</sub> = 500 Ω, T <sub>A</sub> = MIN to MAX§				UNIT
			F151B			SN54F151B		SN74F151B		
			MIN	TYP	MAX	MIN	MAX	MIN	MAX	
t <sub>PLH</sub>	A, B, or C	W	3.8	5.2	9	2	11.5	3.5	9.5	ns
t <sub>PHL</sub>			2.9	4.3	7.5	2.6	8	2.7	7.5	
t <sub>PLH</sub>	A, B, or C	Y	4.5	6	10.5	4	13.5	4	12	ns
t <sub>PHL</sub>			4	5.6	9	3.6	9.5	3.6	9	
t <sub>PLH</sub>	$\bar{G}$	W	3	4.1	6.1	3	7.5	3	7	ns
t <sub>PHL</sub>			2.8	3.5	6	2.5	6.5	2.5	6	
t <sub>PLH</sub>	$\bar{G}$	Y	4.4	5.3	9.5	3.8	12	3.8	10.5	ns
t <sub>PHL</sub>			3.5	4.5	7	3	8	3	7.5	
t <sub>PLH</sub>	Data (any D)	W	2.7	3.6	6.5	1.8	7.5	2.3	7	ns
t <sub>PHL</sub>			1.2	1.9	4	1	6	1	5	
t <sub>PLH</sub>	Data (any D)	Y	2.9	3.7	6.5	2.4	8.5	2.5	7.5	ns
t <sub>PHL</sub>			3.3	4.2	7	2.1	9	2.6	7.5	

§ For conditions shown as MIN or MAX, use the appropriate value specified under recommended operating conditions.

NOTE 2: Load circuits and waveforms are shown in Section 1.



**TAPE AND REEL INFORMATION**

**QUADRANT ASSIGNMENTS FOR PIN 1 ORIENTATION IN TAPE**


\*All dimensions are nominal

Device	Package Type	Package Drawing	Pins	SPQ	Reel Diameter (mm)	Reel Width W1 (mm)	A0 (mm)	B0 (mm)	K0 (mm)	P1 (mm)	W (mm)	Pin1 Quadrant
SN74F151BDR	SOIC	D	16	2500	330.0	16.4	6.5	10.3	2.1	8.0	16.0	Q1
SN74F151BNSR	SO	NS	16	2000	330.0	16.4	8.2	10.5	2.5	12.0	16.0	Q1

## TAPE AND REEL BOX DIMENSIONS



\*All dimensions are nominal

Device	Package Type	Package Drawing	Pins	SPQ	Length (mm)	Width (mm)	Height (mm)
SN74F151BDR	SOIC	D	16	2500	340.5	336.1	32.0
SN74F151BNSR	SO	NS	16	2000	356.0	356.0	35.0

**TUBE**


\*All dimensions are nominal

Device	Package Name	Package Type	Pins	SPQ	L (mm)	W (mm)	T (μm)	B (mm)
SN74F151BD	D	SOIC	16	40	507	8	3940	4.32
SN74F151BN	N	PDIP	16	25	506	13.97	11230	4.32
SN74F151BN	N	PDIP	16	25	506	13.97	11230	4.32
SN74F151BNE4	N	PDIP	16	25	506	13.97	11230	4.32
SN74F151BNE4	N	PDIP	16	25	506	13.97	11230	4.32

## IMPORTANT NOTICE AND DISCLAIMER

TI PROVIDES TECHNICAL AND RELIABILITY DATA (INCLUDING DATA SHEETS), DESIGN RESOURCES (INCLUDING REFERENCE DESIGNS), APPLICATION OR OTHER DESIGN ADVICE, WEB TOOLS, SAFETY INFORMATION, AND OTHER RESOURCES "AS IS" AND WITH ALL FAULTS, AND DISCLAIMS ALL WARRANTIES, EXPRESS AND IMPLIED, INCLUDING WITHOUT LIMITATION ANY IMPLIED WARRANTIES OF MERCHANTABILITY, FITNESS FOR A PARTICULAR PURPOSE OR NON-INFRINGEMENT OF THIRD PARTY INTELLECTUAL PROPERTY RIGHTS.

These resources are intended for skilled developers designing with TI products. You are solely responsible for (1) selecting the appropriate TI products for your application, (2) designing, validating and testing your application, and (3) ensuring your application meets applicable standards, and any other safety, security, regulatory or other requirements.

These resources are subject to change without notice. TI grants you permission to use these resources only for development of an application that uses the TI products described in the resource. Other reproduction and display of these resources is prohibited. No license is granted to any other TI intellectual property right or to any third party intellectual property right. TI disclaims responsibility for, and you will fully indemnify TI and its representatives against, any claims, damages, costs, losses, and liabilities arising out of your use of these resources.

TI's products are provided subject to [TI's Terms of Sale](#) or other applicable terms available either on [ti.com](https://www.ti.com) or provided in conjunction with such TI products. TI's provision of these resources does not expand or otherwise alter TI's applicable warranties or warranty disclaimers for TI products.

TI objects to and rejects any additional or different terms you may have proposed.

Mailing Address: Texas Instruments, Post Office Box 655303, Dallas, Texas 75265  
Copyright © 2023, Texas Instruments Incorporated