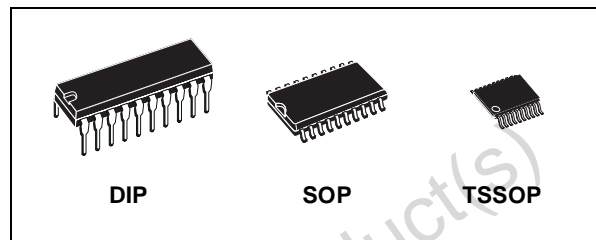




# M74HC688

## 8 BIT EQUALITY COMPARATOR

- HIGH SPEED:  
 $t_{PD} = 17ns$  (TYP.) at  $V_{CC} = 6V$
- LOW POWER DISSIPATION:  
 $I_{CC} = 4\mu A$ (MAX.) at  $T_A=25^\circ C$
- HIGH NOISE IMMUNITY:  
 $V_{NIH} = V_{NIL} = 28\% V_{CC}$  (MIN.)
- SYMMETRICAL OUTPUT IMPEDANCE:  
 $|I_{OH}| = I_{OL} = 4mA$  (MIN)
- BALANCED PROPAGATION DELAYS:  
 $t_{PLH} \approx t_{PHL}$
- WIDE OPERATING VOLTAGE RANGE:  
 $V_{CC}$  (OPR) = 2V to 6V
- PIN AND FUNCTION COMPATIBLE WITH  
 74 SERIES 688



### ORDER CODES

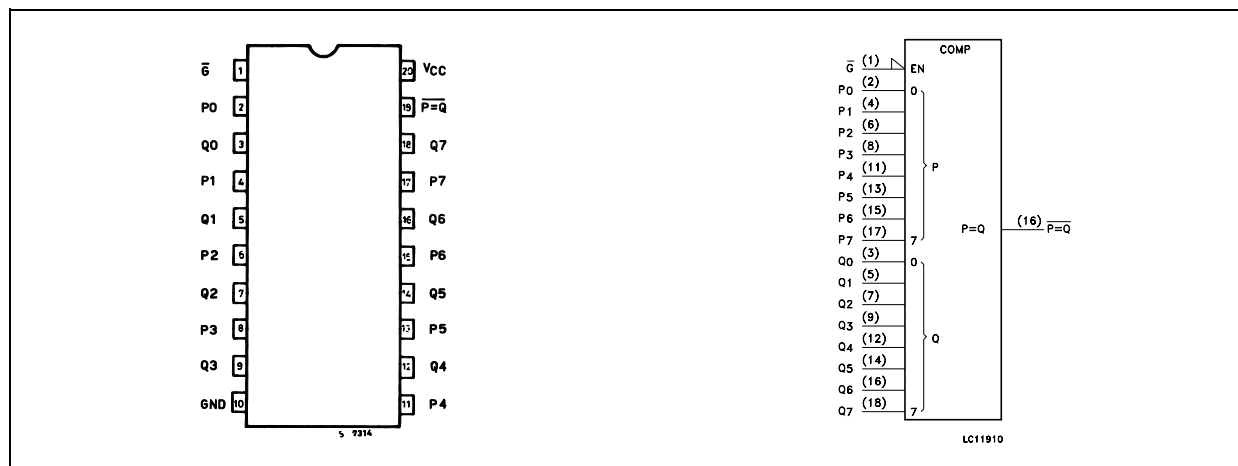
| PACKAGE | TUBE        | T & R          |
|---------|-------------|----------------|
| DIP     | M74HC688B1R |                |
| SOP     | M74HC688M1R | M74HC688RM13TR |
| TSSOP   |             | M74HC688TTR    |

### DESCRIPTION

The M74HC688 is an high speed CMOS 8 BIT EQUALITY COMPARATOR fabricated with silicon gate C<sup>2</sup>MOS technology. The M74HC688 compares bit for bit two 8-bit words applied on inputs P0 - P7 and inputs Q0 - Q7 and indicates whether or not they are equal. A

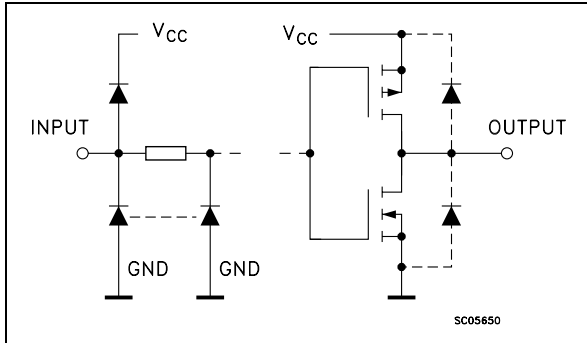
single active low enable is provided to facilitate cascading several packages to enable comparison of words greater than 8 bits. All inputs are equipped with protection circuits against static discharge and transient excess voltage.

### PIN CONNECTION AND IEC LOGIC SYMBOLS



# M74HC688

## INPUT AND OUTPUT EQUIVALENT CIRCUIT



## PIN DESCRIPTION

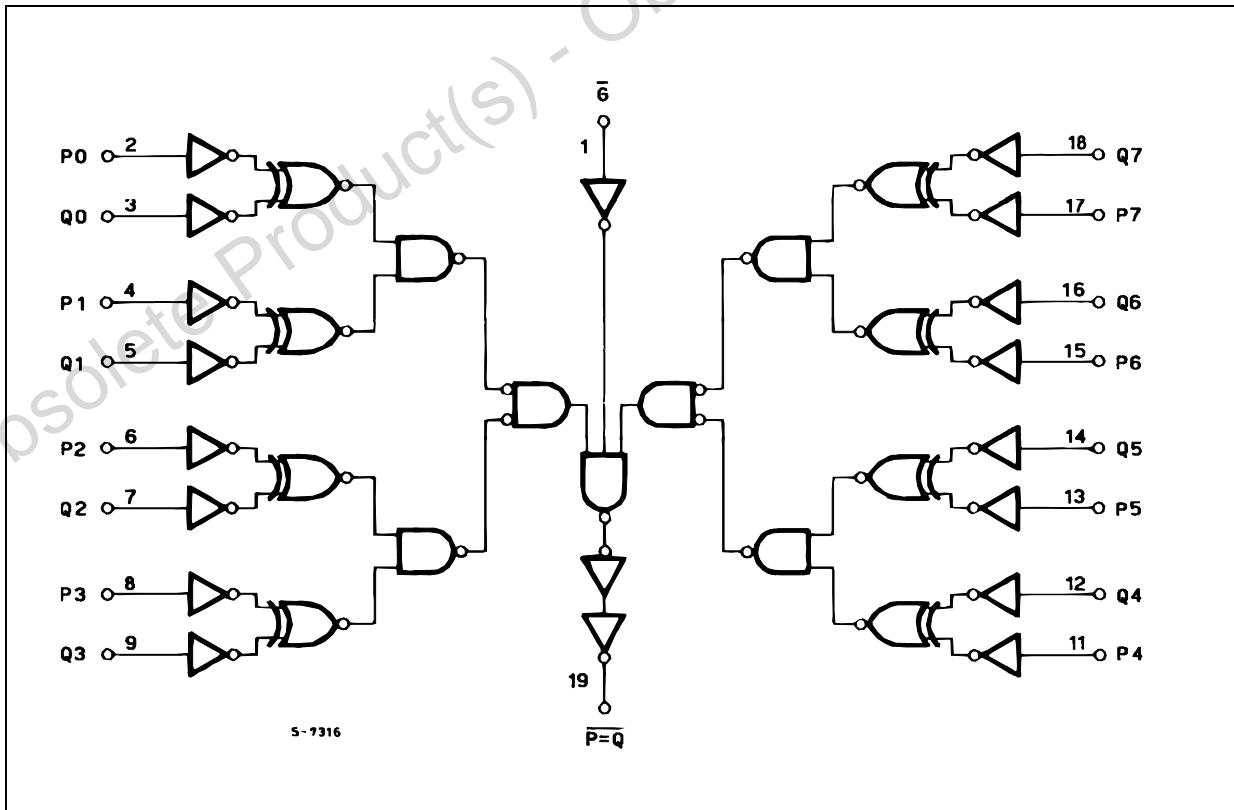
| PIN No                     | SYMBOL          | NAME AND FUNCTION         |
|----------------------------|-----------------|---------------------------|
| 1                          | $\overline{G}$  | Enable Input (Active LOW) |
| 2, 4, 6, 8, 11, 13, 15, 17 | P0 to P7        | Word Inputs               |
| 3, 5, 7, 9, 12, 14, 16, 18 | Q0 to Q7        | Word Outputs              |
| 19                         | P = Q           | Equal to Output           |
| 10                         | GND             | Ground (0V)               |
| 20                         | V <sub>CC</sub> | Positive Supply Voltage   |

## TRUTH TABLE

| INPUTS     |                | OUTPUT             |
|------------|----------------|--------------------|
| P, Q       | $\overline{G}$ | $\overline{P = Q}$ |
| P = Q      | L              | L                  |
| P $\neq$ Q | L              | H                  |
| X          | H              | H                  |

X: Don't Care

## LOGIC DIAGRAM



This logic diagram has not be used to estimate propagation delays

**ABSOLUTE MAXIMUM RATINGS**

| Symbol                | Parameter                     | Value                  | Unit |
|-----------------------|-------------------------------|------------------------|------|
| $V_{CC}$              | Supply Voltage                | -0.5 to +7             | V    |
| $V_I$                 | DC Input Voltage              | -0.5 to $V_{CC} + 0.5$ | V    |
| $V_O$                 | DC Output Voltage             | -0.5 to $V_{CC} + 0.5$ | V    |
| $I_{IK}$              | DC Input Diode Current        | $\pm 20$               | mA   |
| $I_{OK}$              | DC Output Diode Current       | $\pm 20$               | mA   |
| $I_O$                 | DC Output Current             | $\pm 25$               | mA   |
| $I_{CC}$ or $I_{GND}$ | DC $V_{CC}$ or Ground Current | $\pm 50$               | mA   |
| $P_D$                 | Power Dissipation             | 500(*)                 | mW   |
| $T_{stg}$             | Storage Temperature           | -65 to +150            | °C   |
| $T_L$                 | Lead Temperature (10 sec)     | 300                    | °C   |

Absolute Maximum Ratings are those values beyond which damage to the device may occur. Functional operation under these conditions is not implied

(\*) 500mW at 65 °C; derate to 300mW by 10mW/°C from 65°C to 85°C

**RECOMMENDED OPERATING CONDITIONS**

| Symbol     | Parameter                | Value           | Unit      |    |
|------------|--------------------------|-----------------|-----------|----|
| $V_{CC}$   | Supply Voltage           | 2 to 6          | V         |    |
| $V_I$      | Input Voltage            | 0 to $V_{CC}$   | V         |    |
| $V_O$      | Output Voltage           | 0 to $V_{CC}$   | V         |    |
| $T_{op}$   | Operating Temperature    | -55 to 125      | °C        |    |
| $t_r, t_f$ | Input Rise and Fall Time | $V_{CC} = 2.0V$ | 0 to 1000 | ns |
|            |                          | $V_{CC} = 4.5V$ | 0 to 500  | ns |
|            |                          | $V_{CC} = 6.0V$ | 0 to 400  | ns |

DC SPECIFICATIONS

| Symbol          | Parameter                 | Test Condition         |   | Value                 |      |       |             |      |              | Unit |      |
|-----------------|---------------------------|------------------------|---|-----------------------|------|-------|-------------|------|--------------|------|------|
|                 |                           | V <sub>CC</sub><br>(V) |   | T <sub>A</sub> = 25°C |      |       | -40 to 85°C |      | -55 to 125°C |      |      |
|                 |                           |                        |   | Min.                  | Typ. | Max.  | Min.        | Max. | Min.         |      | Max. |
| V <sub>IH</sub> | High Level Input Voltage  | 2.0                    |   | 1.5                   |      |       | 1.5         |      | 1.5          |      | V    |
|                 |                           | 4.5                    |   | 3.15                  |      |       | 3.15        |      | 3.15         |      |      |
|                 |                           | 6.0                    |   | 4.2                   |      |       | 4.2         |      | 4.2          |      |      |
| V <sub>IL</sub> | Low Level Input Voltage   | 2.0                    |   |                       |      | 0.5   |             | 0.5  |              | 0.5  | V    |
|                 |                           | 4.5                    |   |                       |      | 1.35  |             | 1.35 |              | 1.35 |      |
|                 |                           | 6.0                    |   |                       |      | 1.8   |             | 1.8  |              | 1.8  |      |
| V <sub>OH</sub> | High Level Output Voltage | 2.0                    | I <sub>O</sub> =-20 μA                  | 1.9                   | 2.0  |       | 1.9         |      | 1.9          |      | V    |
|                 |                           | 4.5                    | I <sub>O</sub> =-20 μA                  | 4.4                   | 4.5  |       | 4.4         |      | 4.4          |      |      |
|                 |                           | 6.0                    | I <sub>O</sub> =-20 μA                  | 5.9                   | 6.0  |       | 5.9         |      | 5.9          |      |      |
|                 |                           | 4.5                    | I <sub>O</sub> =-4.0 mA                 | 4.18                  | 4.31 |       | 4.13        |      | 4.10         |      |      |
|                 |                           | 6.0                    | I <sub>O</sub> =-5.2 mA                 | 5.68                  | 5.8  |       | 5.63        |      | 5.60         |      |      |
| V <sub>OL</sub> | Low Level Output Voltage  | 2.0                    | I <sub>O</sub> =20 μA                   |                       | 0.0  | 0.1   |             | 0.1  |              | 0.1  | V    |
|                 |                           | 4.5                    | I <sub>O</sub> =20 μA                   |                       | 0.0  | 0.1   |             | 0.1  |              | 0.1  |      |
|                 |                           | 6.0                    | I <sub>O</sub> =20 μA                   |                       | 0.0  | 0.1   |             | 0.1  |              | 0.1  |      |
|                 |                           | 4.5                    | I <sub>O</sub> =4.0 mA                  |                       | 0.17 | 0.26  |             | 0.33 |              | 0.40 |      |
|                 |                           | 6.0                    | I <sub>O</sub> =5.2 mA                  |                       | 0.18 | 0.26  |             | 0.33 |              | 0.40 |      |
| I <sub>I</sub>  | Input Leakage Current     | 6.0                    | V <sub>I</sub> = V <sub>CC</sub> or GND |                       |      | ± 0.1 |             | ± 1  |              | ± 1  | μA   |
| I <sub>CC</sub> | Quiescent Supply Current  | 6.0                    | V <sub>I</sub> = V <sub>CC</sub> or GND |                       |      | 4     |             | 40   |              | 80   | μA   |

AC ELECTRICAL CHARACTERISTICS (C<sub>L</sub> = 50 pF, Input t<sub>r</sub> = t<sub>f</sub> = 6ns)

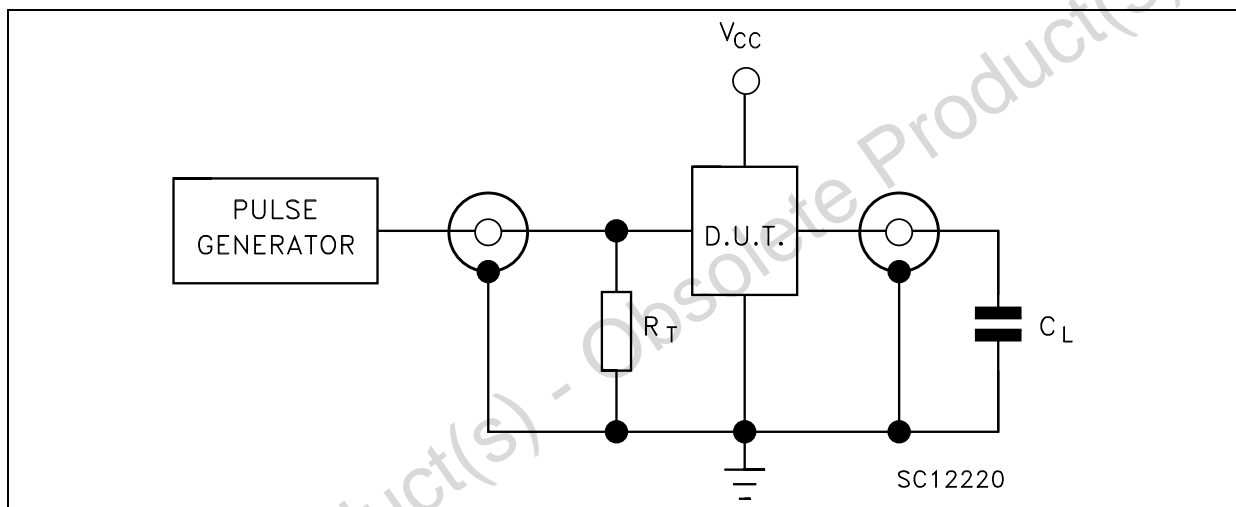
| Symbol                            | Parameter   | Test Condition         |  | Value                 |      |      |             |      |              | Unit |      |
|-----------------------------------|---|------------------------|--|-----------------------|------|------|-------------|------|--------------|------|------|
|                                   |   | V <sub>CC</sub><br>(V) |  | T <sub>A</sub> = 25°C |      |      | -40 to 85°C |      | -55 to 125°C |      |      |
|                                   |   |                        |  | Min.                  | Typ. | Max. | Min.        | Max. | Min.         |      | Max. |
| t <sub>TLH</sub> t <sub>THL</sub> | Output Transition Time  | 2.0                    |  |                       | 30   | 75   |             | 95   |              | 110  | ns   |
|                                   |   | 4.5                    |  |                       | 8    | 15   |             | 19   |              | 22   |      |
|                                   |   | 6.0                    |  |                       | 7    | 13   |             | 16   |              | 19   |      |
| t <sub>PLH</sub> t <sub>PHL</sub> | Propagation Delay Time<br>(P <sub>n</sub> , Q <sub>n</sub> - P=Q) | 2.0                    |  |                       | 60   | 170  |             | 215  |              | 255  | ns   |
|                                   |   | 4.5                    |  |                       | 21   | 34   |             | 43   |              | 51   |      |
|                                   |   | 6.0                    |  |                       | 17   | 29   |             | 37   |              | 43   |      |
| t <sub>PLH</sub> t <sub>PHL</sub> | Propagation Delay Time<br>(G - P=Q)                               | 2.0                    |  |                       | 40   | 110  |             | 140  |              | 165  | ns   |
|                                   |   | 4.5                    |  |                       | 13   | 22   |             | 28   |              | 33   |      |
|                                   |   | 6.0                    |  |                       | 10   | 19   |             | 24   |              | 28   |      |

**CAPACITIVE CHARACTERISTICS**

| Symbol          | Parameter                              | Test Condition         |  |  | Value                 |      |      |             |      |              | Unit |      |
|-----------------|--|------------------------|--|--|-----------------------|------|------|-------------|------|--------------|------|------|
|                 |  | V <sub>CC</sub><br>(V) |  |  | T <sub>A</sub> = 25°C |      |      | -40 to 85°C |      | -55 to 125°C |      |      |
|                 |  |                        |  |  | Min.                  | Typ. | Max. | Min.        | Max. | Min.         |      | Max. |
| C <sub>IN</sub> | Input Capacitance                      |                        |  |  |                       | 5    | 10   |             | 10   |              | 10   | pF   |
| C <sub>PD</sub> | Power Dissipation Capacitance (note 1) |                        |  |  |                       | 32   |      |             |      |              |      | pF   |

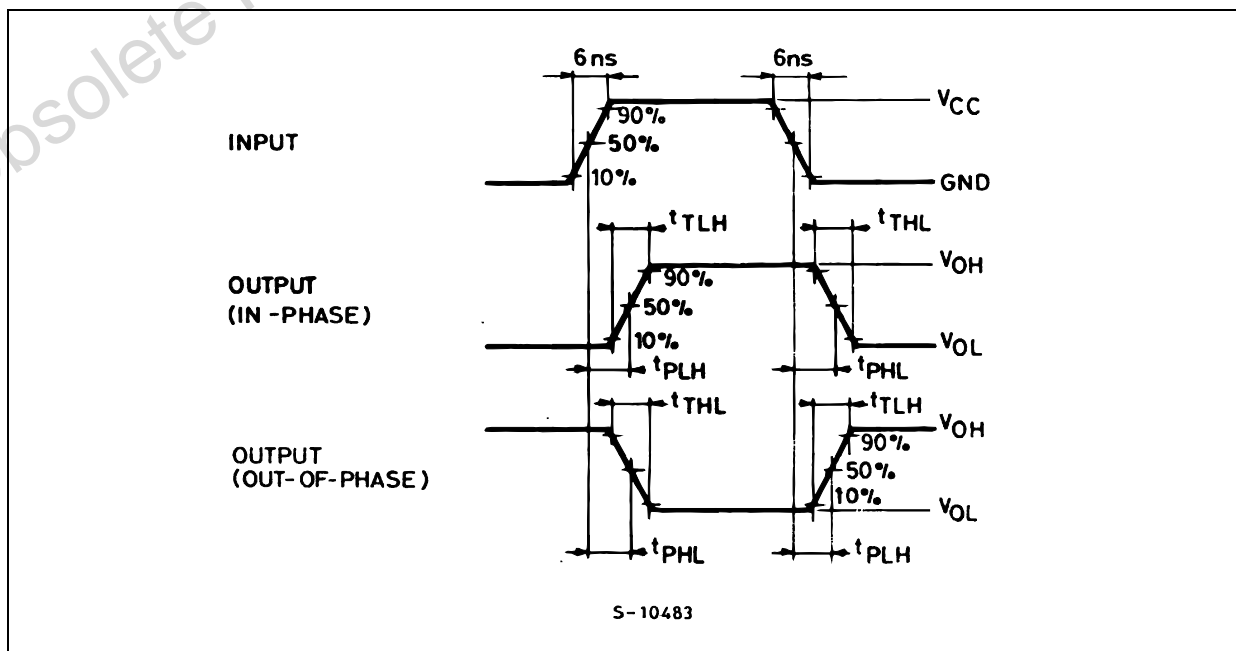
1) C<sub>PD</sub> is defined as the value of the IC's internal equivalent capacitance which is calculated from the operating current consumption without load. (Refer to Test Circuit). Average operating current can be obtained by the following equation.  $I_{CC(opr)} = C_{PD} \times V_{CC} \times f_{IN} + I_{CC}$

**TEST CIRCUIT**



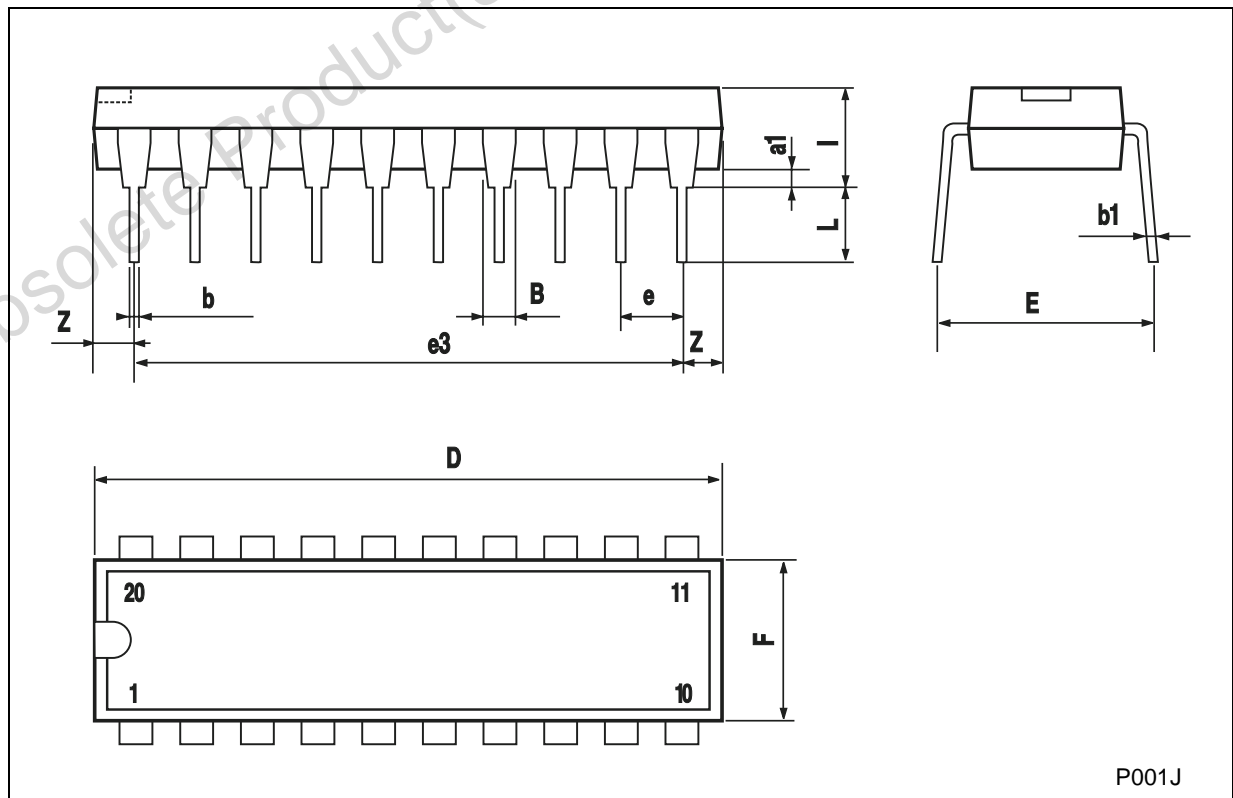
C<sub>L</sub> = 50pF/150pF or equivalent (includes jig and probe capacitance)  
 R<sub>T</sub> = Z<sub>OUT</sub> of pulse generator (typically 50Ω)

**WAVEFORM : PROPAGATION DELAY TIME (f=1MHz; 50% duty cycle)**



**Plastic DIP-20 (0.25) MECHANICAL DATA**

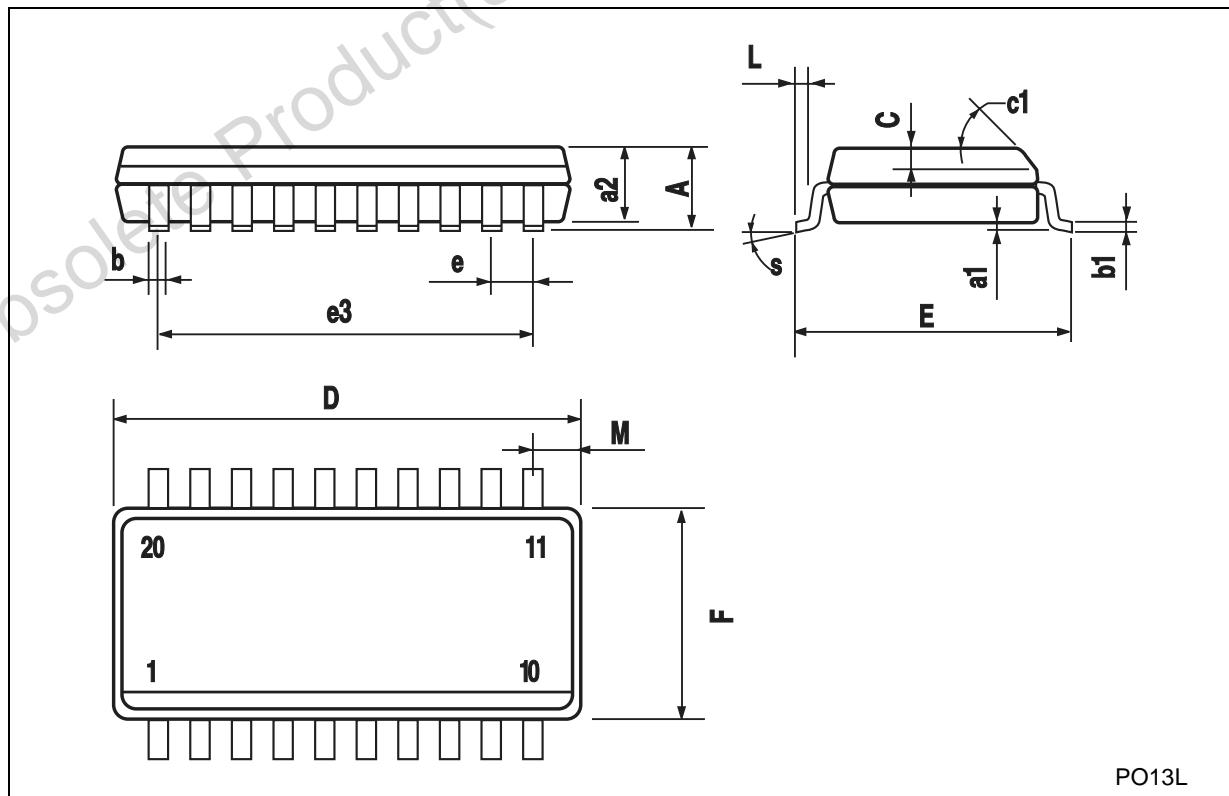
| DIM. | mm.   |       |      | inch  |       |       |
|------|-------|-------|------|-------|-------|-------|
|      | MIN.  | TYP   | MAX. | MIN.  | TYP.  | MAX.  |
| a1   | 0.254 |       |      | 0.010 |       |       |
| B    | 1.39  |       | 1.65 | 0.055 |       | 0.065 |
| b    |       | 0.45  |      |       | 0.018 |       |
| b1   |       | 0.25  |      |       | 0.010 |       |
| D    |       |       | 25.4 |       |       | 1.000 |
| E    |       | 8.5   |      |       | 0.335 |       |
| e    |       | 2.54  |      |       | 0.100 |       |
| e3   |       | 22.86 |      |       | 0.900 |       |
| F    |       |       | 7.1  |       |       | 0.280 |
| I    |       |       | 3.93 |       |       | 0.155 |
| L    |       | 3.3   |      |       | 0.130 |       |
| Z    |       |       | 1.34 |       |       | 0.053 |



P001J

## SO-20 MECHANICAL DATA

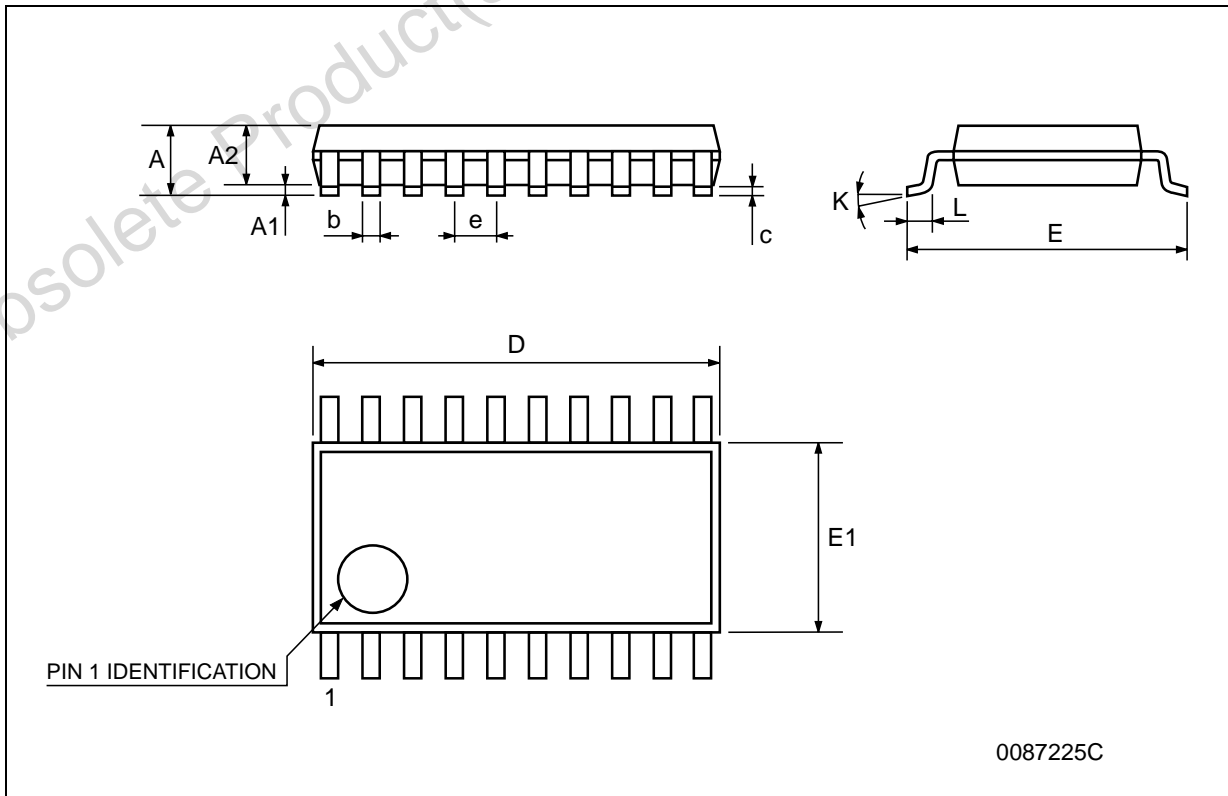
| DIM. | mm.        |       |       | inch  |       |       |
|------|------------|-------|-------|-------|-------|-------|
|      | MIN.       | TYP.  | MAX.  | MIN.  | TYP.  | MAX.  |
| A    |            |       | 2.65  |       |       | 0.104 |
| a1   | 0.1        |       | 0.2   | 0.004 |       | 0.008 |
| a2   |            |       | 2.45  |       |       | 0.096 |
| b    | 0.35       |       | 0.49  | 0.014 |       | 0.019 |
| b1   | 0.23       |       | 0.32  | 0.009 |       | 0.012 |
| C    |            | 0.5   |       |       | 0.020 |       |
| c1   | 45° (typ.) |       |       |       |       |       |
| D    | 12.60      |       | 13.00 | 0.496 |       | 0.512 |
| E    | 10.00      |       | 10.65 | 0.393 |       | 0.419 |
| e    |            | 1.27  |       |       | 0.050 |       |
| e3   |            | 11.43 |       |       | 0.450 |       |
| F    | 7.40       |       | 7.60  | 0.291 |       | 0.300 |
| L    | 0.50       |       | 1.27  | 0.020 |       | 0.050 |
| M    |            |       | 0.75  |       |       | 0.029 |
| S    | 8° (max.)  |       |       |       |       |       |



PO13L

**TSSOP20 MECHANICAL DATA**

| DIM. | mm.  |          |      | inch  |            |        |
|------|------|----------|------|-------|------------|--------|
|      | MIN. | TYP      | MAX. | MIN.  | TYP.       | MAX.   |
| A    |      |          | 1.2  |       |            | 0.047  |
| A1   | 0.05 |          | 0.15 | 0.002 | 0.004      | 0.006  |
| A2   | 0.8  | 1        | 1.05 | 0.031 | 0.039      | 0.041  |
| b    | 0.19 |          | 0.30 | 0.007 |            | 0.012  |
| c    | 0.09 |          | 0.20 | 0.004 |            | 0.0089 |
| D    | 6.4  | 6.5      | 6.6  | 0.252 | 0.256      | 0.260  |
| E    | 6.2  | 6.4      | 6.6  | 0.244 | 0.252      | 0.260  |
| E1   | 4.3  | 4.4      | 4.48 | 0.169 | 0.173      | 0.176  |
| e    |      | 0.65 BSC |      |       | 0.0256 BSC |        |
| K    | 0°   |          | 8°   | 0°    |            | 8°     |
| L    | 0.45 | 0.60     | 0.75 | 0.018 | 0.024      | 0.030  |





Obsolete Product(s) - Obsolete Product(s)

Information furnished is believed to be accurate and reliable. However, STMicroelectronics assumes no responsibility for the consequences of use of such information nor for any infringement of patents or other rights of third parties which may result from its use. No license is granted by implication or otherwise under any patent or patent rights of STMicroelectronics. Specifications mentioned in this publication are subject to change without notice. This publication supersedes and replaces all information previously supplied. STMicroelectronics products are not authorized for use as critical components in life support devices or systems without express written approval of STMicroelectronics.

© The ST logo is a registered trademark of STMicroelectronics

© 2000 STMicroelectronics - Printed in Italy - All Rights Reserved  
STMicroelectronics GROUP OF COMPANIES

Australia - Brazil - China - Finland - France - Germany - Hong Kong - India - Italy - Japan - Malaysia - Malta - Morocco  
Singapore - Spain - Sweden - Switzerland - United Kingdom

© <http://www.st.com>

