

MC14551B

Quad 2-Channel Analog Multiplexer/Demultiplexer

The MC14551B is a digitally-controlled analog switch. This device implements a 4PDT solid state switch with low ON impedance and very low OFF Leakage current. Control of analog signals up to the complete supply voltage range can be achieved.

Features

- Triple Diode Protection on All Control Inputs
- Supply Voltage Range = 3.0 Vdc to 18 Vdc
- Analog Voltage Range ($V_{DD} - V_{EE}$) = 3.0 to 18 V
Note: V_{EE} must be $\leq V_{SS}$
- Linearized Transfer Characteristics
- Low Noise – $12 \text{ nV}/\sqrt{\text{Cycle}}$, $f \geq 1.0 \text{ kHz}$ typical
- For Low R_{ON} , Use The HC4051, HC4052, or HC4053 High-Speed CMOS Devices
- Switch Function is Break Before Make
- NLV Prefix for Automotive and Other Applications Requiring Unique Site and Control Change Requirements; AEC-Q100 Qualified and PPAP Capable
- This Device is Pb-Free and is RoHS Compliant

MAXIMUM RATINGS

| Parameter | Symbol | Value | Unit |
|--|----------------------|----------------------------|--------------------|
| DC Supply Voltage Range (Referenced to V_{EE} , $V_{SS} \geq V_{EE}$) | V_{DD} | - 0.5 to + 18.0 | V |
| Input or Output Voltage (DC or Transient) (Referenced to V_{SS} for Control Input and V_{EE} for Switch I/O) | V_{in} , V_{out} | - 0.5 to V_{DD} + 0.5 | V |
| Input Current (DC or Transient), per Control Pin | I_{in} | ± 10 | mA |
| Switch Through Current | I_{sw} | ± 25 | mA |
| Power Dissipation, per Package (Note 1) | P_D | 500 | mW |
| Ambient Temperature Range | T_A | - 55 to + 125 | $^{\circ}\text{C}$ |
| Storage Temperature Range | T_{stg} | - 65 to + 150 | $^{\circ}\text{C}$ |
| Lead Temperature (8-Second Soldering) | T_L | 260 | $^{\circ}\text{C}$ |

Stresses exceeding those listed in the Maximum Ratings table may damage the device. If any of these limits are exceeded, device functionality should not be assumed, damage may occur and reliability may be affected.

1. Temperature Derating: "D/DW" Package: -7.0 mW/ $^{\circ}\text{C}$ From 65 $^{\circ}\text{C}$ To 125 $^{\circ}\text{C}$

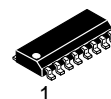
This device contains protection circuitry to guard against damage due to high static voltages or electric fields. However, precautions must be taken to avoid applications of any voltage higher than maximum rated voltages to this high-impedance circuit. For proper operation, V_{in} and V_{out} should be constrained to the range $V_{SS} \leq (V_{in} \text{ or } V_{out}) \leq V_{DD}$ for control inputs and $V_{EE} \leq (V_{in} \text{ or } V_{out}) \leq V_{DD}$ for Switch I/O.

Unused inputs must always be tied to an appropriate logic voltage level (e.g., either V_{SS} , V_{EE} or V_{DD}). Unused outputs must be left open.



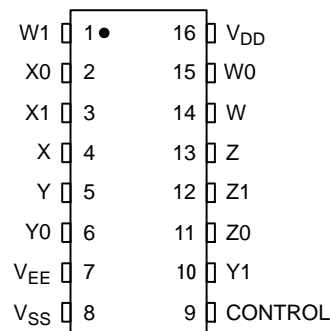
ON Semiconductor®

<http://onsemi.com>

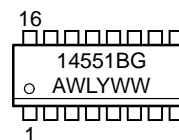


SOIC-16
D SUFFIX
CASE 751B

PIN ASSIGNMENT



MARKING DIAGRAM

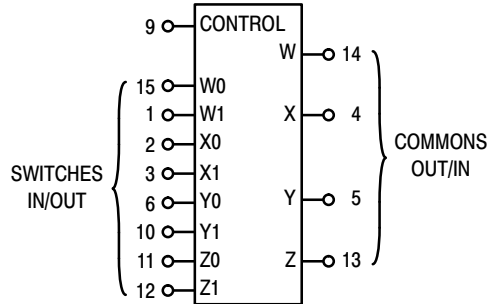


A = Assembly Location
WL, L = Wafer Lot
YY, Y = Year
WW, W = Work Week
G = Pb-Free Package

ORDERING INFORMATION

See detailed ordering and shipping information in the package dimensions section on page 2 of this data sheet.

MC14551B



V_{DD} = Pin 16
 V_{SS} = Pin 8
 V_{EE} = Pin 7

| Control | ON |
|---------|-------------|
| 0 | W0 X0 Y0 Z0 |
| 1 | W1 X1 Y1 Z1 |

NOTE: Control Input referenced to V_{SS} . Analog Inputs and Outputs reference to V_{EE} . V_{EE} must be $\leq V_{SS}$.

ORDERING INFORMATION

| Device | Package | Shipping [†] |
|----------------|----------------------|-----------------------|
| MC14551BDG | SOIC-16 (Pb-Free) | 48 Units / Rail |
| MC14551BDR2G | SOIC-16 (Pb-Free) | 2500 / Tape & Reel |
| NLV14551BDR2G* | SOIC-16 (Pb-Free) | 2500 / Tape & Reel |

[†]For information on tape and reel specifications, including part orientation and tape sizes, please refer to our Tape and Reel Packaging Specifications Brochure, BRD8011/D.

*NLV Prefix for Automotive and Other Applications Requiring Unique Site and Control Change Requirements; AEC-Q100 Qualified and PPAP Capable.

MC14551B

ELECTRICAL CHARACTERISTICS

| Characteristic | V _{DD} | Test Conditions | Symbol | -55°C | | 25°C | | | 125°C | | Unit |
|----------------|-----------------|-----------------|--------|-------|-----|------|--------------|-----|-------|-----|------|
| | | | | Min | Max | Min | Typ (Note 2) | Max | Min | Max | |

SUPPLY REQUIREMENTS (Voltages Referenced to V_{EE})

| | | | | | | | | | | | |
|--|-----------------|---|--------------------|---|-----------------|-------------|-------------------------|-----------------|-------------|-------------------|----|
| Power Supply Voltage Range | – | V _{DD} – 3.0 ≥ V _{SS} ≥ V _{EE} | V _{DD} | 3.0 | 18 | 3.0 | – | 18 | 3.0 | 18 | V |
| Quiescent Current Per Package | 5.0 10 15 | Control Inputs: V _{in} = V _{SS} or V _{DD} , Switch I/O: V _{EE} ≤ V _{I/O} ≤ V _{DD} , and ΔV _{switch} ≤ 500 mV (Note 3) | I _{DD} | – – – | 5.0 10 20 | – – – | 0.005 0.010 0.015 | 5.0 10 20 | – – – | 150 300 600 | μA |
| Total Supply Current (Dynamic Plus Quiescent, Per Package) | 5.0 10 15 | T _A = 25°C only (The channel component, (V _{in} – V _{out})/R _{on} , is not included.) | I _{D(AV)} | Typical (0.07 μA/kHz) f + I _{DD} (0.20 μA/kHz) f + I _{DD} (0.36 μA/kHz) f + I _{DD} | | | | | | | μA |

CONTROL INPUT (Voltages Referenced to V_{SS})

| | | | | | | | | | | | |
|--------------------------|-----------------|--|-----------------|------------------|-------------------|------------------|----------------------|-------------------|------------------|-------------------|----|
| Low-Level Input Voltage | 5.0 10 15 | R _{on} = per spec, I _{off} = per spec | V _{IL} | – – – | 1.5 3.0 4.0 | – – – | 2.25 4.50 6.75 | 1.5 3.0 4.0 | – – – | 1.5 3.0 4.0 | V |
| High-Level Input Voltage | 5.0 10 15 | R _{on} = per spec, I _{off} = per spec | V _{IH} | 3.5 7.0 11 | – – – | 3.5 7.0 11 | 2.75 5.50 8.25 | – – – | 3.5 7.0 11 | – – – | V |
| Input Leakage Current | 15 | V _{in} = 0 or V _{DD} | I _{in} | – | ±0.1 | – | ±0.00001 | ±0.1 | – | ±1.0 | μA |
| Input Capacitance | – | | C _{in} | – | – | – | 5.0 | 7.5 | – | – | pF |

SWITCHES IN/OUT AND COMMONS OUT/IN — W, X, Y, Z (Voltages Referenced to V_{EE})

| | | | | | | | | | | | |
|---|-----------------|--|----------------------|-------------|-------------------|-------------|------------------|--------------------|-------------|--------------------|------------------|
| Recommended Peak-to-Peak Voltage Into or Out of the Switch | – | Channel On or Off | V _{I/O} | 0 | V _{DD} | 0 | – | V _{DD} | 0 | V _{DD} | V _{p-p} |
| Recommended Static or Dynamic Voltage Across the Switch (Note 3) (Figure 3) | – | Channel On | ΔV _{switch} | 0 | 600 | 0 | – | 600 | 0 | 300 | mV |
| Output Offset Voltage | – | V _{in} = 0 V, No Load | V _{OO} | – | – | – | 10 | – | – | – | μV |
| ON Resistance | 5.0 10 15 | ΔV _{switch} ≤ 500 mV (Note 3), V _{in} = V _{IL} or V _{IH} (Control), and V _{in} = 0 to V _{DD} (Switch) | R _{on} | – – – | 800 400 220 | – – – | 250 120 80 | 1050 500 280 | – – – | 1200 520 300 | Ω |
| ΔON Resistance Between Any Two Channels in the Same Package | 5.0 10 15 | | ΔR _{on} | – – – | 70 50 45 | – – – | 25 10 10 | 70 50 45 | – – – | 135 95 65 | Ω |
| Off-Channel Leakage Current (Figure 8) | 15 | V _{in} = V _{IL} or V _{IH} (Control) Channel to Channel or Any One Channel | I _{off} | – | ±100 | – | ±0.05 | ±100 | – | ±1000 | nA |
| Capacitance, Switch I/O | – | Switch Off | C _{I/O} | – | – | – | 10 | – | – | – | pF |
| Capacitance, Common O/I | – | | C _{O/I} | – | – | – | 17 | – | – | – | pF |
| Capacitance, Feedthrough (Channel Off) | – – | Pins Not Adjacent Pins Adjacent | C _{I/O} | – – | – – | – – | 0.15 0.47 | – – | – – | – – | pF |

Product parametric performance is indicated in the Electrical Characteristics for the listed test conditions, unless otherwise noted. Product performance may not be indicated by the Electrical Characteristics if operated under different conditions.

2. Data labeled "Typ" is not to be used for design purposes, but is intended as an indication of the IC's potential performance.
3. For voltage drops across the switch (ΔV_{switch}) > 600 mV (> 300 mV at high temperature), excessive V_{DD} current may be drawn; i.e. the current out of the switch may contain both V_{DD} and switch input components. The reliability of the device will be unaffected unless the Maximum Ratings are exceeded. (See first page of this data sheet.)

MC14551B

ELECTRICAL CHARACTERISTICS ($C_L = 50 \text{ pF}$, $T_A = 25^\circ\text{C}$, $V_{EE} \leq V_{SS}$)

| Characteristic | Symbol | $V_{DD} - V_{EE}$ Vdc | Min | Typ (Note 4) | Max | Unit |
|---|--------------------|--------------------------|-----|-------------------|-------------------|------|
| Propagation Delay Times Switch Input to Switch Output ($R_L = 10 \text{ k}\Omega$) $t_{PLH}, t_{PHL} = (0.17 \text{ ns/pF}) C_L + 26.5 \text{ ns}$ $t_{PLH}, t_{PHL} = (0.08 \text{ ns/pF}) C_L + 11 \text{ ns}$ $t_{PLH}, t_{PHL} = (0.06 \text{ ns/pF}) C_L + 9.0 \text{ ns}$ | t_{PLH}, t_{PHL} | 5.0 10 15 | – | 35 15 12 | 90 40 30 | ns |
| Control Input to Output ($R_L = 10 \text{ k}\Omega$) $V_{EE} = V_{SS}$ (Figure 4) | t_{PLH}, t_{PHL} | 5.0 10 15 | – | 350 140 100 | 875 350 250 | ns |
| Second Harmonic Distortion $R_L = 10 \text{ k}\Omega$, $f = 1 \text{ kHz}$, $V_{in} = 5 V_{p-p}$ | – | 10 | – | 0.07 | – | % |
| Bandwidth (Figure 5) $R_L = 1 \text{ k}\Omega$, $V_{in} = 1/2 (V_{DD} - V_{EE})_{p-p}$, $20 \text{ Log} (V_{out}/V_{in}) = -3 \text{ dB}$, $C_L = 50 \text{ pF}$ | BW | 10 | – | 17 | – | MHz |
| Off Channel Feedthrough Attenuation, Figure 5 $R_L = 1 \text{ k}\Omega$, $V_{in} = 1/2 (V_{DD} - V_{EE})_{p-p}$, $f_{in} = 55 \text{ MHz}$ | – | 10 | – | – 50 | – | dB |
| Channel Separation (Figure 6) $R_L = 1 \text{ k}\Omega$, $V_{in} = 1/2 (V_{DD} - V_{EE})_{p-p}$, $f_{in} = 3 \text{ MHz}$ | – | 10 | – | – 50 | – | dB |
| Crosstalk, Control Input to Common O/I, Figure 7 $R_1 = 1 \text{ k}\Omega$, $R_L = 10 \text{ k}\Omega$, Control $t_r = t_f = 20 \text{ ns}$ | – | 10 | – | 75 | – | mV |

Product parametric performance is indicated in the Electrical Characteristics for the listed test conditions, unless otherwise noted. Product performance may not be indicated by the Electrical Characteristics if operated under different conditions.

4. Data labelled "Typ" is not to be used for design purposes but is intended as an indication of the IC's potential performance.

MC14551B

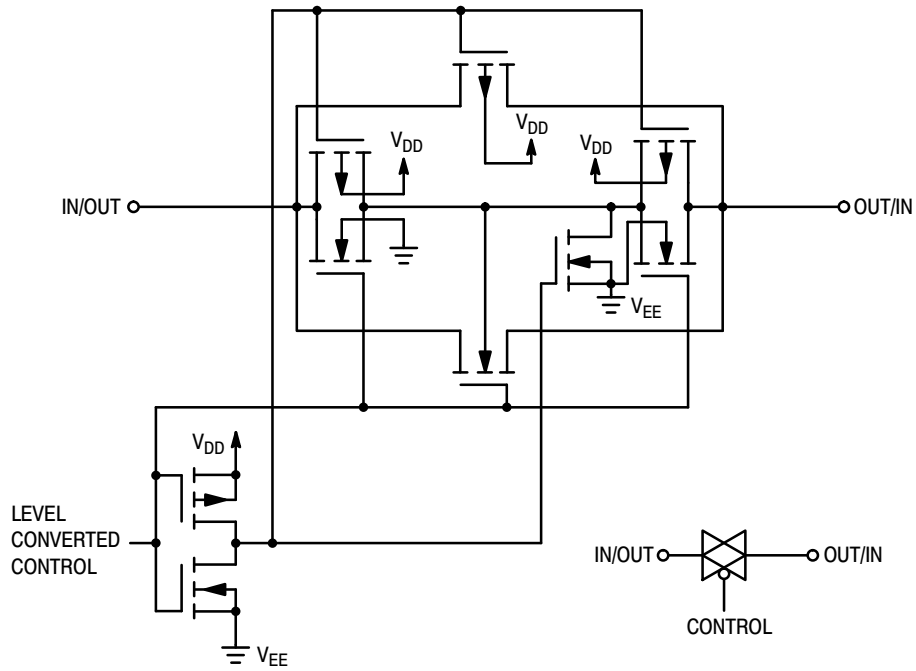


Figure 1. Switch Circuit Schematic

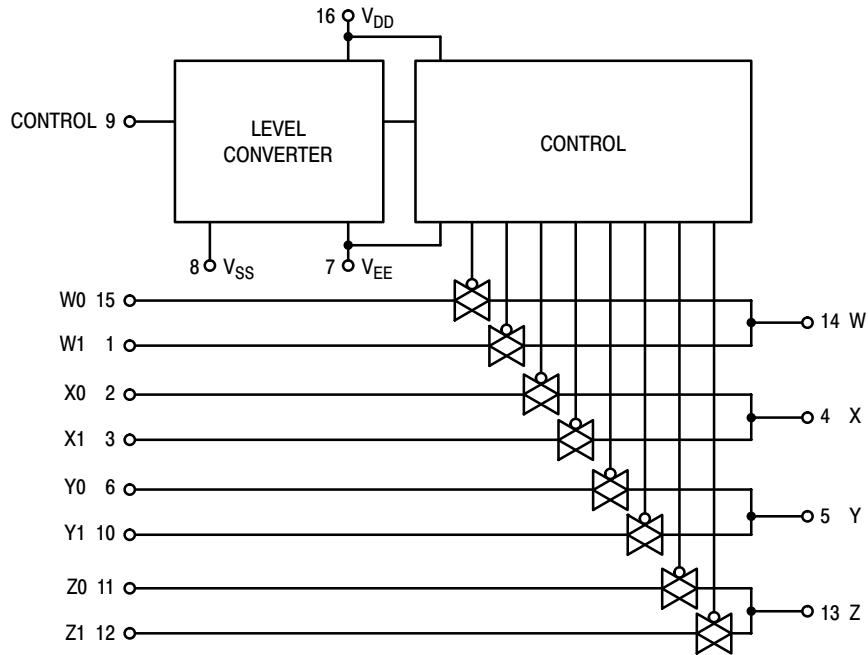


Figure 2. MC14551B Functional Diagram

MC14551B

TEST CIRCUITS

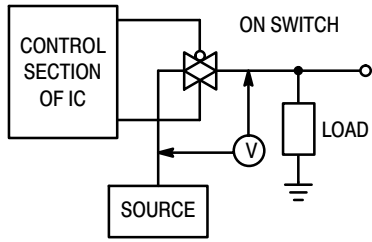


Figure 3. ΔV Across Switch

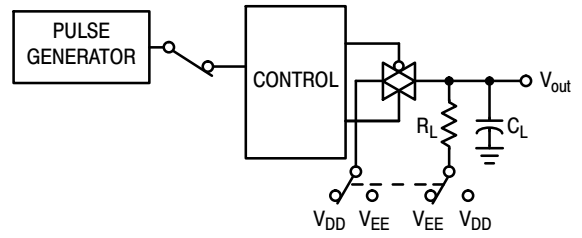


Figure 4. Propagation Delay Times, Control to Output

Control input used to turn ON or OFF the switch under test.

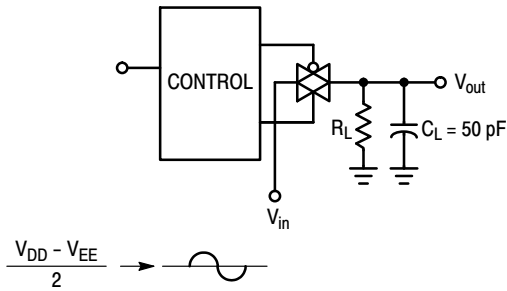


Figure 5. Bandwidth and Off-Channel Feedthrough Attenuation

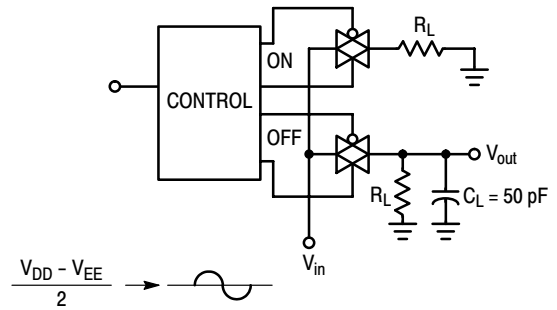


Figure 6. Channel Separation (Adjacent Channels Used for Setup)

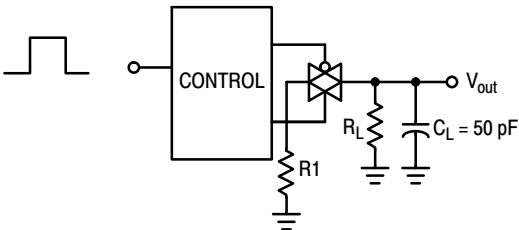


Figure 7. Crosstalk, Control Input to Common O/I

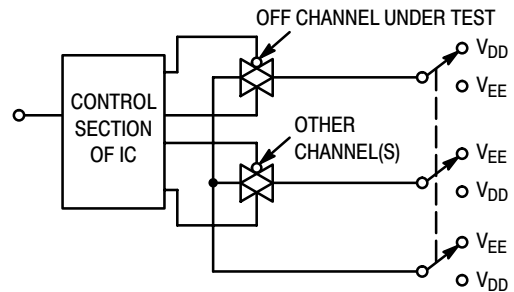


Figure 8. Off Channel Leakage

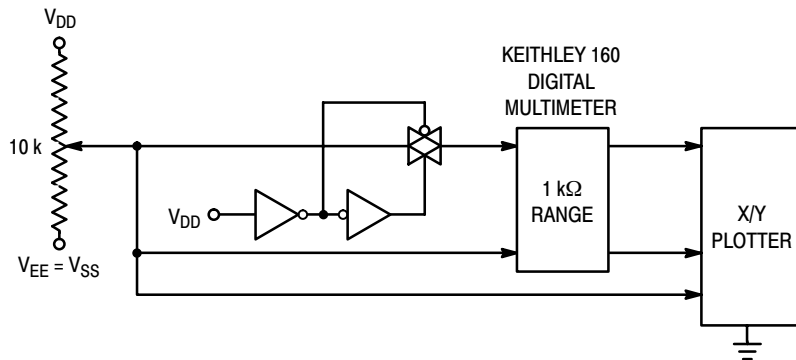


Figure 9. Channel Resistance (R_{ON}) Test Circuit

TYPICAL RESISTANCE CHARACTERISTICS

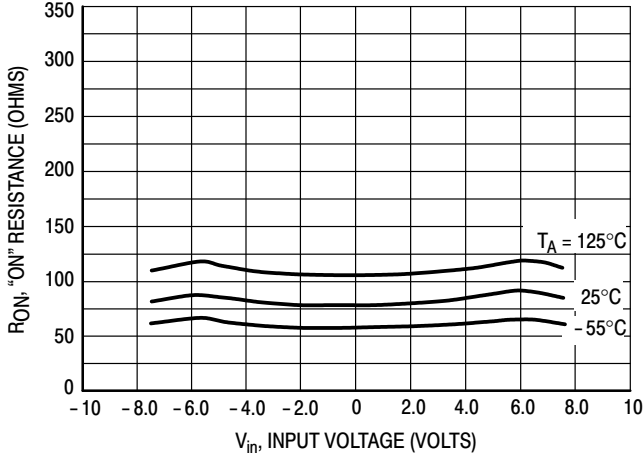


Figure 10. V_{DD} @ 7.5 V, V_{EE} @ -7.5 V

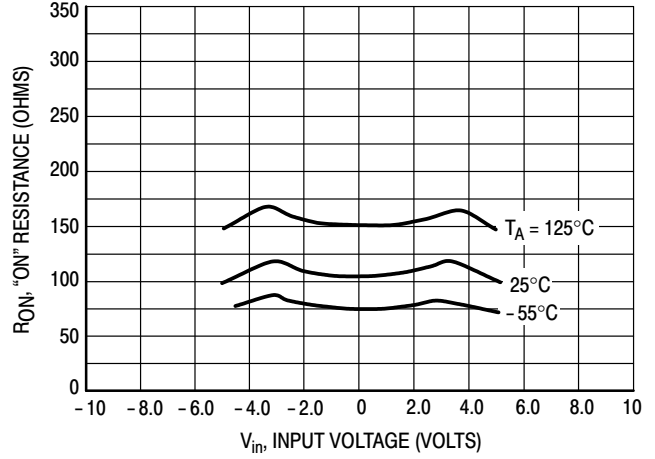


Figure 11. V_{DD} @ 5.0 V, V_{EE} @ -5.0 V

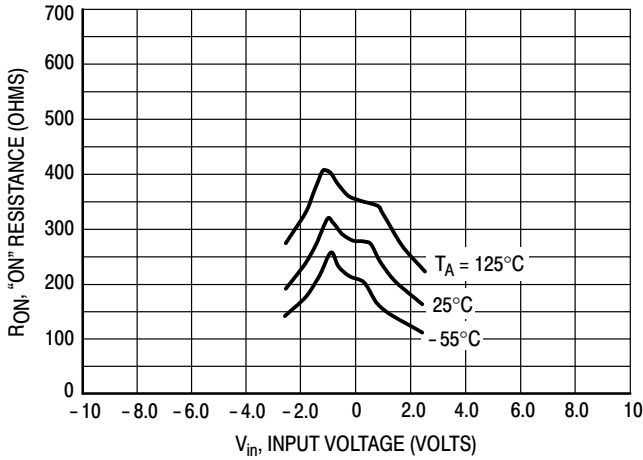


Figure 12. V_{DD} @ 2.5 V, V_{EE} @ -2.5 V

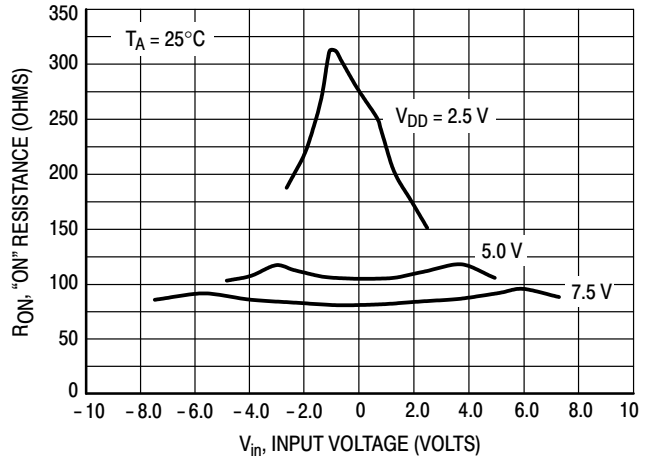


Figure 13. Comparison at 25°C , V_{DD} @ - V_{EE}

MC14551B

APPLICATIONS INFORMATION

Figure A illustrates use of the on-chip level converter detailed in Figure 2. The 0-to-5.0 V Digital Control signal is used to directly control a 9 V_{p-p} analog signal.

The digital control logic levels are determined by V_{DD} and V_{SS}. The V_{DD} voltage is the logic high voltage; the V_{SS} voltage is logic low. For the example, V_{DD} = +5.0 V = logic high at the control inputs; V_{SS} = GND = 0 V = logic low.

The maximum analog signal level is determined by V_{DD} and V_{EE}. The V_{DD} voltage determines the maximum recommended peak above V_{SS}. The V_{EE} voltage determines the maximum swing below V_{SS}. For the example, V_{DD} - V_{SS} = 5.0 V maximum swing above V_{SS}; V_{SS} - V_{EE} = 5.0 V maximum swing below V_{SS}. The example shows a ±4.5 V

signal which allows a 1/2 V margin at each peak. If voltage transients above V_{DD} and/or below V_{EE} are anticipated on the analog channels, external diodes (D_x) are recommended as shown in Figure B. These diodes should be small signal types able to absorb the maximum anticipated current surges during clipping.

The absolute maximum potential difference between V_{DD} and V_{EE} is 18 V. Most parameters are specified up to 15 V which is the recommended maximum difference between V_{DD} and V_{EE}.

Balanced supplies are not required. However, V_{SS} must be greater than or equal to V_{EE}. For example, V_{DD} = +10 V, V_{SS} = +5.0 V, and V_{EE} = -3.0 V is acceptable. See the table below.

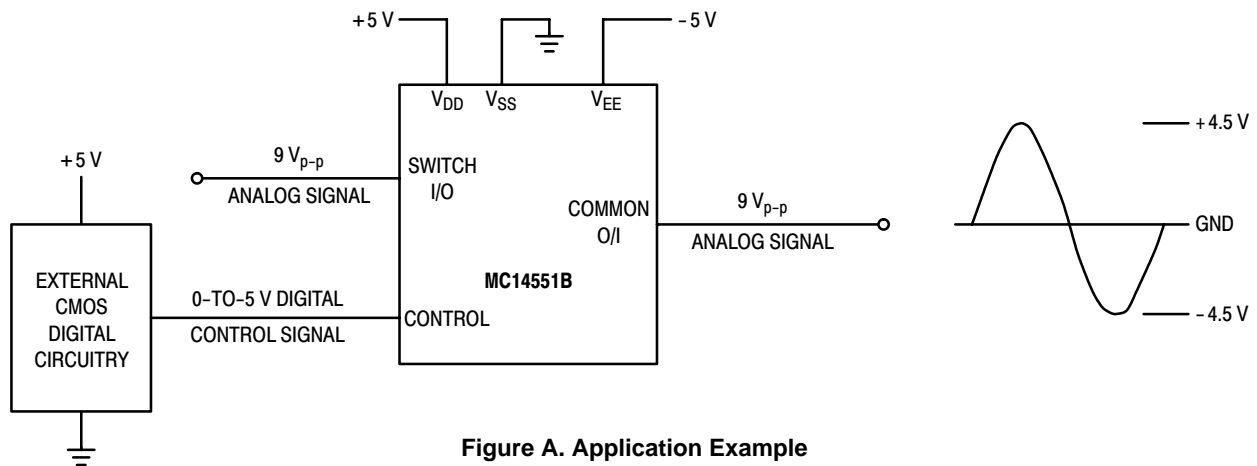


Figure A. Application Example

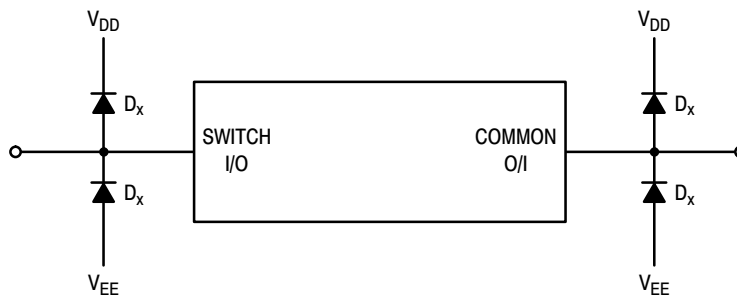


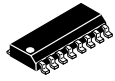
Figure B. External Schottky or Germanium Clipping Diodes

POSSIBLE SUPPLY CONNECTIONS

| V _{DD} In Volts | V _{SS} In Volts | V _{EE} In Volts | Control Inputs Logic High/Logic Low In Volts | Maximum Analog Signal Range In Volts |
|-----------------------------|-----------------------------|-----------------------------|--|---|
| + 8 | 0 | - 8 | + 8/0 | + 8 to - 8 = 16 V _{p-p} |
| + 5 | 0 | - 12 | + 5/0 | + 5 to - 12 = 17 V _{p-p} |
| + 5 | 0 | 0 | + 5/0 | + 5 to 0 = 5 V _{p-p} |
| + 5 | 0 | - 5 | + 5/0 | + 5 to - 5 = 10 V _{p-p} |
| + 10 | | - 5 | + 10/ + 5 | + 10 to - 5 = 15 V _{p-p} |

MECHANICAL CASE OUTLINE PACKAGE DIMENSIONS

ON Semiconductor®



SCALE 1:1

SOIC-16 CASE 751B-05 ISSUE K

DATE 29 DEC 2006



NOTES:

1. DIMENSIONING AND TOLERANCING PER ANSI Y14.5M, 1982.
2. CONTROLLING DIMENSION: MILLIMETER.
3. DIMENSIONS A AND B DO NOT INCLUDE MOLD PROTRUSION.
4. MAXIMUM MOLD PROTRUSION 0.15 (0.006) PER SIDE.
5. DIMENSION D DOES NOT INCLUDE DAMBAR PROTRUSION. ALLOWABLE DAMBAR PROTRUSION SHALL BE 0.127 (0.005) TOTAL IN EXCESS OF THE D DIMENSION AT MAXIMUM MATERIAL CONDITION.

| DIM | MILLIMETERS | | INCHES | |
|-----|-------------|-------|-----------|-------|
| | MIN | MAX | MIN | MAX |
| A | 9.80 | 10.00 | 0.386 | 0.393 |
| B | 3.80 | 4.00 | 0.150 | 0.157 |
| C | 1.35 | 1.75 | 0.054 | 0.068 |
| D | 0.35 | 0.49 | 0.014 | 0.019 |
| F | 0.40 | 1.25 | 0.016 | 0.049 |
| G | 1.27 BSC | | 0.050 BSC | |
| J | 0.19 | 0.25 | 0.008 | 0.009 |
| K | 0.10 | 0.25 | 0.004 | 0.009 |
| M | 0° | 7° | 0° | 7° |
| P | 5.80 | 6.20 | 0.229 | 0.244 |
| R | 0.25 | 0.50 | 0.010 | 0.019 |

- | | | | |
|--|--|--|--|
| <p>STYLE 1:</p> <p>PIN 1. COLLECTOR</p> <p>2. BASE</p> <p>3. EMITTER</p> <p>4. NO CONNECTION</p> <p>5. EMITTER</p> <p>6. BASE</p> <p>7. COLLECTOR</p> <p>8. COLLECTOR</p> <p>9. BASE</p> <p>10. EMITTER</p> <p>11. NO CONNECTION</p> <p>12. EMITTER</p> <p>13. BASE</p> <p>14. COLLECTOR</p> <p>15. EMITTER</p> <p>16. COLLECTOR</p> | <p>STYLE 2:</p> <p>PIN 1. CATHODE</p> <p>2. ANODE</p> <p>3. NO CONNECTION</p> <p>4. CATHODE</p> <p>5. CATHODE</p> <p>6. NO CONNECTION</p> <p>7. ANODE</p> <p>8. CATHODE</p> <p>9. CATHODE</p> <p>10. ANODE</p> <p>11. NO CONNECTION</p> <p>12. CATHODE</p> <p>13. CATHODE</p> <p>14. NO CONNECTION</p> <p>15. ANODE</p> <p>16. CATHODE</p> | <p>STYLE 3:</p> <p>PIN 1. COLLECTOR, DYE #1</p> <p>2. BASE, #1</p> <p>3. EMITTER, #1</p> <p>4. COLLECTOR, #1</p> <p>5. COLLECTOR, #2</p> <p>6. BASE, #2</p> <p>7. EMITTER, #2</p> <p>8. COLLECTOR, #2</p> <p>9. COLLECTOR, #3</p> <p>10. BASE, #3</p> <p>11. EMITTER, #3</p> <p>12. COLLECTOR, #3</p> <p>13. COLLECTOR, #4</p> <p>14. BASE, #4</p> <p>15. EMITTER, #4</p> <p>16. COLLECTOR, #4</p> | <p>STYLE 4:</p> <p>PIN 1. COLLECTOR, DYE #1</p> <p>2. COLLECTOR, #1</p> <p>3. COLLECTOR, #2</p> <p>4. COLLECTOR, #2</p> <p>5. COLLECTOR, #3</p> <p>6. COLLECTOR, #3</p> <p>7. COLLECTOR, #4</p> <p>8. COLLECTOR, #4</p> <p>9. BASE, #4</p> <p>10. EMITTER, #4</p> <p>11. BASE, #3</p> <p>12. EMITTER, #3</p> <p>13. BASE, #2</p> <p>14. EMITTER, #2</p> <p>15. BASE, #1</p> <p>16. EMITTER, #1</p> |
| <p>STYLE 5:</p> <p>PIN 1. DRAIN, DYE #1</p> <p>2. DRAIN, #1</p> <p>3. DRAIN, #2</p> <p>4. DRAIN, #2</p> <p>5. DRAIN, #3</p> <p>6. DRAIN, #3</p> <p>7. DRAIN, #4</p> <p>8. DRAIN, #4</p> <p>9. GATE, #4</p> <p>10. SOURCE, #4</p> <p>11. GATE, #3</p> <p>12. SOURCE, #3</p> <p>13. GATE, #2</p> <p>14. SOURCE, #2</p> <p>15. GATE, #1</p> <p>16. SOURCE, #1</p> | <p>STYLE 6:</p> <p>PIN 1. CATHODE</p> <p>2. CATHODE</p> <p>3. CATHODE</p> <p>4. CATHODE</p> <p>5. CATHODE</p> <p>6. CATHODE</p> <p>7. CATHODE</p> <p>8. CATHODE</p> <p>9. ANODE</p> <p>10. ANODE</p> <p>11. ANODE</p> <p>12. ANODE</p> <p>13. ANODE</p> <p>14. ANODE</p> <p>15. ANODE</p> <p>16. ANODE</p> | <p>STYLE 7:</p> <p>PIN 1. SOURCE N-CH</p> <p>2. COMMON DRAIN (OUTPUT)</p> <p>3. COMMON DRAIN (OUTPUT)</p> <p>4. GATE P-CH</p> <p>5. COMMON DRAIN (OUTPUT)</p> <p>6. COMMON DRAIN (OUTPUT)</p> <p>7. COMMON DRAIN (OUTPUT)</p> <p>8. SOURCE P-CH</p> <p>9. SOURCE P-CH</p> <p>10. COMMON DRAIN (OUTPUT)</p> <p>11. COMMON DRAIN (OUTPUT)</p> <p>12. COMMON DRAIN (OUTPUT)</p> <p>13. GATE N-CH</p> <p>14. COMMON DRAIN (OUTPUT)</p> <p>15. COMMON DRAIN (OUTPUT)</p> <p>16. SOURCE N-CH</p> | |

SOLDERING FOOTPRINT



| | | |
|------------------|-------------|--|
| DOCUMENT NUMBER: | 98ASB42566B | Electronic versions are uncontrolled except when accessed directly from the Document Repository. Printed versions are uncontrolled except when stamped "CONTROLLED COPY" in red. |
| DESCRIPTION: | SOIC-16 | PAGE 1 OF 1 |

ON Semiconductor and ON are trademarks of Semiconductor Components Industries, LLC dba ON Semiconductor or its subsidiaries in the United States and/or other countries. ON Semiconductor reserves the right to make changes without further notice to any products herein. ON Semiconductor makes no warranty, representation or guarantee regarding the suitability of its products for any particular purpose, nor does ON Semiconductor assume any liability arising out of the application or use of any product or circuit, and specifically disclaims any and all liability, including without limitation special, consequential or incidental damages. ON Semiconductor does not convey any license under its patent rights nor the rights of others.

onsemi, **Onsemi**, and other names, marks, and brands are registered and/or common law trademarks of Semiconductor Components Industries, LLC dba "**onsemi**" or its affiliates and/or subsidiaries in the United States and/or other countries. **onsemi** owns the rights to a number of patents, trademarks, copyrights, trade secrets, and other intellectual property. A listing of **onsemi**'s product/patent coverage may be accessed at www.onsemi.com/site/pdf/Patent-Marking.pdf. **onsemi** reserves the right to make changes at any time to any products or information herein, without notice. The information herein is provided "as-is" and **onsemi** makes no warranty, representation or guarantee regarding the accuracy of the information, product features, availability, functionality, or suitability of its products for any particular purpose, nor does **onsemi** assume any liability arising out of the application or use of any product or circuit, and specifically disclaims any and all liability, including without limitation special, consequential or incidental damages. Buyer is responsible for its products and applications using **onsemi** products, including compliance with all laws, regulations and safety requirements or standards, regardless of any support or applications information provided by **onsemi**. "Typical" parameters which may be provided in **onsemi** data sheets and/or specifications can and do vary in different applications and actual performance may vary over time. All operating parameters, including "Typicals" must be validated for each customer application by customer's technical experts. **onsemi** does not convey any license under any of its intellectual property rights nor the rights of others. **onsemi** products are not designed, intended, or authorized for use as a critical component in life support systems or any FDA Class 3 medical devices or medical devices with a same or similar classification in a foreign jurisdiction or any devices intended for implantation in the human body. Should Buyer purchase or use **onsemi** products for any such unintended or unauthorized application, Buyer shall indemnify and hold **onsemi** and its officers, employees, subsidiaries, affiliates, and distributors harmless against all claims, costs, damages, and expenses, and reasonable attorney fees arising out of, directly or indirectly, any claim of personal injury or death associated with such unintended or unauthorized use, even if such claim alleges that **onsemi** was negligent regarding the design or manufacture of the part. **onsemi** is an Equal Opportunity/Affirmative Action Employer. This literature is subject to all applicable copyright laws and is not for resale in any manner.

ADDITIONAL INFORMATION

TECHNICAL PUBLICATIONS:

Technical Library: www.onsemi.com/design/resources/technical-documentation
onsemi Website: www.onsemi.com

ONLINE SUPPORT: www.onsemi.com/support

For additional information, please contact your local Sales Representative at www.onsemi.com/support/sales