

DP83630 Precision PHYTER™ - IEEE 1588 Precision Time Protocol Transceiver

Check for Samples: [DP83630](#)

1 Introduction

1.1 Features

- IEEE 1588 V1 and V2 Supported
- UDP/IPv4, UDP/IPv6, and Layer2 Ethernet Packets Supported
- IEEE 1588 Clock Synchronization
- Selectable Frequency Synchronized Low Jitter Clock Output
- Timestamp Resolution of 8 ns
- Allows Sub 10 ns Synchronization to Master Reference
- 12 IEEE 1588 GPIOs for Trigger or Capture
- Deterministic, Low Transmit and Receive Latency
- Dynamic Link Quality Monitoring
- TDR Based Cable Diagnostic and Cable Length Detection
- 10/100 Mb/s Packet BIST (Built in Self Test)
- Error-Free Operation up to 150 Meters CAT5 Cable
- ESD Protection - 8 kV Human Body Model
- 2.5 V and 3.3 V I/Os and MAC Interface
- Auto-MDIX for 10/100 Mbps
- Auto-Crossover in Forced Modes of Operation
- RMII Rev. 1.2 and MII MAC Interface
- RMII Master Mode
- 25 MHz MDC and MDIO Serial Management Interface
- IEEE 802.3u 100BASE-FX Fiber Interface
- IEEE 1149.1 JTAG
- Programmable LED Support for Link, 10 /100 Mb/s Mode, Duplex, Activity, and Collision Detect
- Optional 100BASE-TX Fast Link-Loss Detection
- Industrial Temperature Range
- 48 Pin WQFN Package (7mm) x (7mm)

1.2 Applications

- Telecom
 - Basestation
 - Pico/Femto Cells
- Factory Automation
 - Ethernet/IP
 - CIP Sync
- Test and Measurement
 - LXI Standard
- Video Synchronization
- Real Time Networking



Please be aware that an important notice concerning availability, standard warranty, and use in critical applications of Texas Instruments semiconductor products and disclaimers thereto appears at the end of this data sheet.

PHYTER is a trademark of Texas Instruments.

All other trademarks are the property of their respective owners.

PRODUCTION DATA information is current as of publication date. Products conform to specifications per the terms of the Texas Instruments standard warranty. Production processing does not necessarily include testing of all parameters.

Copyright © 2010–2013, Texas Instruments Incorporated

1.3 Description

The DP83630 Precision PHYTER™ device delivers the highest level of precision clock synchronization for real time industrial connectivity based on the IEEE 1588 standard. The DP83630 has deterministic, low latency and allows choice of microcontroller with no hardware customization required. The integrated 1588 functionality allows system designers the flexibility and precision of a close to the wire timestamp. The three key 1588 features supported by the device are:

- Packet time stamps for clock synchronization
- Integrated IEEE 1588 synchronized low jitter clock generation
- Synchronized event triggering and time stamping through GPIO

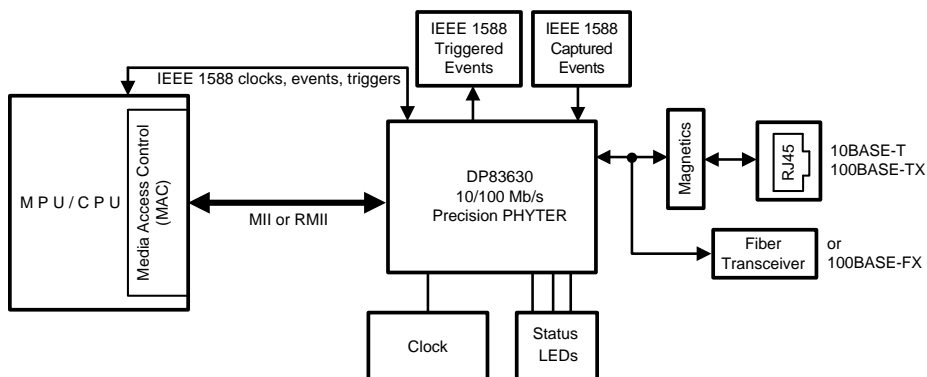
DP83630 offers innovative diagnostic features unique to Texas Instruments, including dynamic monitoring of link quality during standard operation for fault prediction. These advanced features allow the system designer to implement a fault prediction mechanism to detect and warn of deteriorating and changing link conditions. This single port fast Ethernet transceiver can support both copper and fiber media.

| | | | | | |
|----------|--|--------------------|----------|---|---------------------------|
| 1 | Introduction | 1 | 4.23 | AC Specifications — 10BASE-T Normal Link Pulse Timing | 29 |
| 1.1 | Features | 1 | 4.24 | AC Specifications — Auto-Negotiation Fast Link Pulse (FLP) Timing | 29 |
| 1.2 | Applications | 1 | 4.25 | AC Specifications — 100BASE-TX Signal Detect Timing | 30 |
| 1.3 | Description | 2 | 4.26 | AC Specifications — 100 Mb/s Internal Loopback Timing | 30 |
| 2 | Device Information | 5 | 4.27 | AC Specifications — 10 Mb/s Internal Loopback Timing | 31 |
| 2.1 | System Diagram | 5 | 4.28 | AC Specifications — RMIIT Transmit Timing (Slave Mode) | 31 |
| 2.2 | Block Diagram | 5 | 4.29 | AC Specifications — RMIIT Transmit Timing (Master Mode) | 32 |
| 2.3 | Key IEEE 1588 Features | 6 | 4.30 | AC Specifications — RMIIT Receive Timing (Slave Mode) | 33 |
| 3 | Pin Descriptions | 10 | 4.31 | AC Specifications — RMIIT Receive Timing (Master Mode) | 34 |
| 3.1 | Pin Layout | 11 | 4.32 | AC Specifications — RX_CLK Timing (RMIIT Master Mode) | 34 |
| 3.2 | PACKAGE PIN ASSIGNMENTS | 12 | 4.33 | AC Specifications — CLK_OUT Timing (RMIIT Slave Mode) | 35 |
| 3.3 | SERIAL MANAGEMENT INTERFACE | 13 | 4.34 | AC Specifications — Single Clock MII (SCMII) Transmit Timing | 35 |
| 3.4 | MAC DATA INTERFACE | 13 | 4.35 | AC Specifications — Single Clock MII (SCMII) Receive Timing | 36 |
| 3.5 | CLOCK INTERFACE | 14 | 4.36 | AC Specifications — 100 Mb/s X1 to TX_CLK Timing | 36 |
| 3.6 | LED INTERFACE | 15 | 5 | Configuration | 37 |
| 3.7 | IEEE 1588 EVENT/TRIGGER/CLOCK INTERFACE | 15 | 5.1 | MEDIA CONFIGURATION | 37 |
| 3.8 | JTAG INTERFACE | 15 | 5.2 | AUTO-NEGOTIATION | 37 |
| 3.9 | RESET AND POWER DOWN | 16 | 5.3 | AUTO-MDIX | 40 |
| 3.10 | STRAP OPTIONS | 16 | 5.4 | AUTO-CROSSOVER IN FORCED MODE | 40 |
| 3.11 | 10 Mb/s AND 100 Mb/s PMD INTERFACE | 18 | 5.5 | PHY ADDRESS | 40 |
| 3.12 | POWER SUPPLY PINS | 18 | 5.6 | LED INTERFACE | 41 |
| 4 | Electrical Specifications | 19 | 5.7 | HALF DUPLEX vs. FULL DUPLEX | 43 |
| 4.1 | Absolute Maximum Ratings | 19 | 5.8 | INTERNAL LOOPBACK | 44 |
| 4.2 | Recommended Operating Conditions | 19 | 5.9 | POWER DOWN/INTERRUPT | 44 |
| 4.3 | AC and DC Specifications | 19 | 5.10 | ENERGY DETECT MODE | 44 |
| 4.4 | DC Specifications | 20 | 5.11 | LINK DIAGNOSTIC CAPABILITIES | 45 |
| 4.5 | AC Specifications — Power Up Timing | 21 | 5.12 | BIST | 49 |
| 4.6 | AC Specifications — Reset Timing | 22 | 6 | MAC Interface | 50 |
| 4.7 | AC Specifications — MII Serial Management Timing | 23 | 6.1 | MII INTERFACE | 50 |
| 4.8 | AC Specifications — 100 Mb/s MII Transmit Timing | 23 | 6.2 | REDUCED MII INTERFACE | 51 |
| 4.9 | AC Specifications — 100 Mb/s MII Receive Timing | 23 | 6.3 | SINGLE CLOCK MII MODE | 52 |
| 4.10 | AC Specifications — 100BASE-TX and 100BASE-FX MII Transmit Packet Latency Timing | 24 | 6.4 | IEEE 802.3u MII SERIAL MANAGEMENT INTERFACE | 53 |
| 4.11 | AC Specifications — 100BASE-TX and 100BASE-FX MII Transmit Packet Deassertion Timing | 24 | 6.5 | PHY CONTROL FRAMES | 54 |
| 4.12 | AC Specifications — 100BASE-TX Transmit Timing ($t_{R/F}$ & Jitter) | 25 | 6.6 | PHY STATUS FRAMES | 55 |
| 4.13 | AC Specifications — 100BASE-TX and 100BASE-FX MII Receive Packet Latency Timing | 25 | 7 | Architecture | 56 |
| 4.14 | AC Specifications — 100BASE-TX and 100BASE-FX MII Receive Packet Deassertion Timing | 26 | 7.1 | 100BASE-TX TRANSMITTER | 56 |
| 4.15 | AC Specifications — 10 Mb/s MII Transmit Timing | 26 | 7.2 | 100BASE-TX RECEIVER | 59 |
| 4.16 | AC Specifications — 10 Mb/s MII Receive Timing | 26 | 7.3 | 100BASE-FX OPERATION | 63 |
| 4.17 | AC Specifications — 10BASE-T MII Transmit Timing (Start of Packet) | 27 | 7.4 | 10BASE-T TRANSCEIVER MODULE | 64 |
| 4.18 | AC Specifications — 10BASE-T MII Transmit Timing (End of Packet) | 27 | 8 | Reset Operation | 67 |
| 4.19 | AC Specifications — 10BASE-T MII Receive Timing (Start of Packet) | 28 | 8.1 | HARDWARE RESET | 67 |
| 4.20 | AC Specifications — 10BASE-T MII Receive Timing (End of Packet) | 28 | 8.2 | FULL SOFTWARE RESET | 67 |
| 4.21 | AC Specifications — 10 Mb/s Heartbeat Timing | 28 | | | |
| 4.22 | AC Specifications — 10 Mb/s Jabber Timing | 29 | | | |

| | | | | | |
|-----------|-------------------------------------|---------------------------|-------------------------------|--|---------------------|
| 8.3 | SOFT RESET | 67 | 10.2 | EXTENDED REGISTERS - PAGE 0 | 91 |
| 8.4 | PTP RESET | 67 | 10.3 | TEST REGISTERS - PAGE 1 | 102 |
| 9 | Design Guidelines | 68 | 10.4 | LINK DIAGNOSTICS REGISTERS - PAGE 2 | 103 |
| 9.1 | TPI NETWORK CIRCUIT | 68 | 10.5 | PTP 1588 BASE REGISTERS - PAGE 4 | 110 |
| 9.2 | FIBER NETWORK CIRCUIT | 69 | 10.6 | PTP 1588 CONFIGURATION REGISTERS - PAGE | |
| 9.3 | ESD PROTECTION | 69 | 5 | 118 | |
| 9.4 | CLOCK IN (X1) RECOMMENDATIONS | 69 | 10.7 | PTP 1588 CONFIGURATION REGISTERS - PAGE | |
| 10 | Register Block | 72 | 6 | 126 | |
| 10.1 | REGISTER DEFINITION | 79 | Revision History | 130 | |

2 Device Information

2.1 System Diagram



2.2 Block Diagram

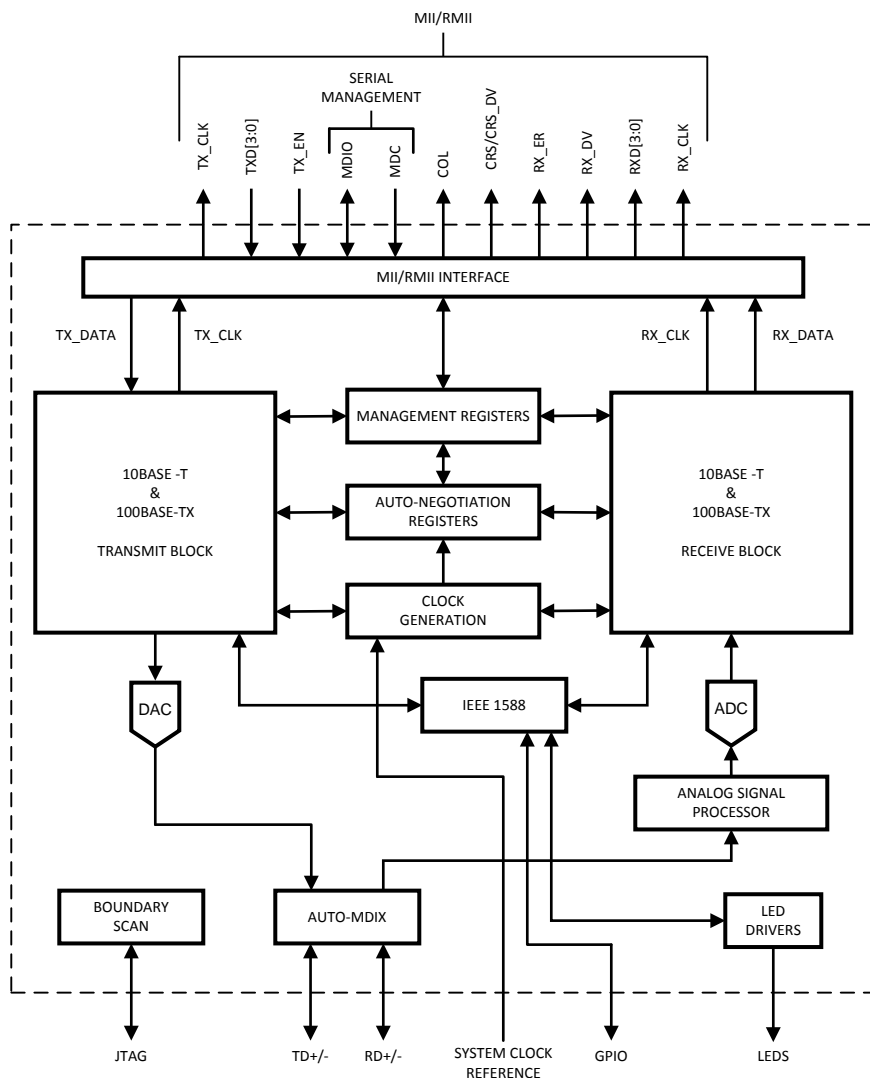


Figure 2-1. DP83630 Functional Block Diagram

2.3 Key IEEE 1588 Features

IEEE 1588 provides a time synchronization protocol, often referred to as the Precision Time Protocol (PTP), which synchronizes time across an Ethernet network. DP83630 supports IEEE 1588 Real Time Ethernet applications by providing hardware support for three time critical elements.

- IEEE 1588 synchronized clock generation
- Packet timestamps for clock synchronization
- Event triggering and timestamping through GPIO

By combining the above capabilities, the DP83630 provides advanced and flexible support for IEEE 1588 for use in a highly accurate IEEE 1588 system.

The DP83630 provides features for controlling the clock operation in Slave mode. The clock value can be updated to match the Master clock in several ways. In addition, the clock can be programmed to adjust its frequency to compensate for drift.

The DP83630 supports real time triggering activities and captures real time events to report to the microcontroller. Controlled devices can be connected to the DP83630 through the available GPIO.

The IEEE 1588 features are briefly presented below. **For a more detailed discussion on configuring the IEEE 1588 features, refer to the Software Development Guide for the DP83630.**

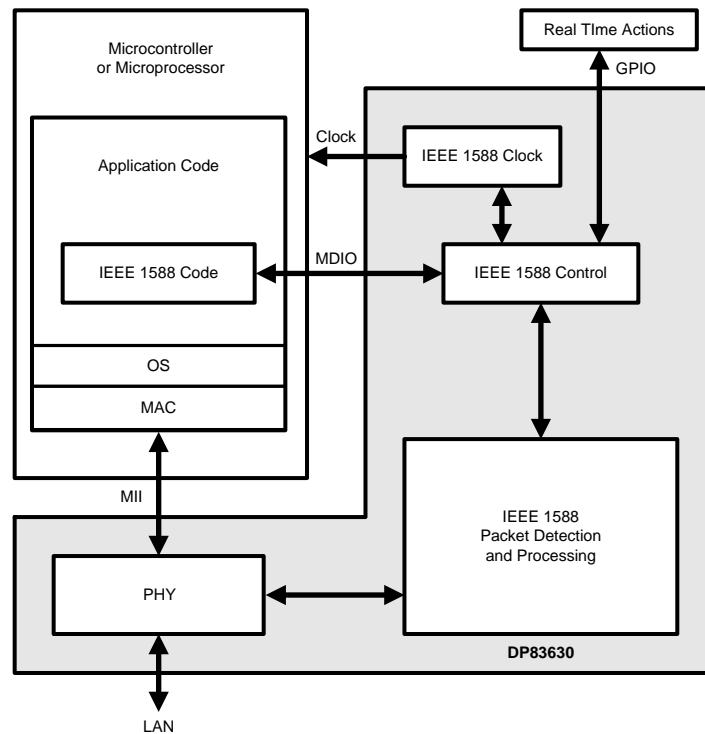


Figure 2-2. DP83630 Example System Application

2.3.1 IEEE 1588 SYNCHRONIZED CLOCK

The DP83630 provides several mechanisms for updating the IEEE 1588 clock based on the synchronization protocol required. These methods are listed below.

- Directly Read/Writable
- Adjustable by Add/Subtract
- Frequency Scalable
- Temporary Frequency Control

The clock consists of the following fields: Seconds (32-bit field), Nanoseconds (30-bit field), and Fractional Nanoseconds (units of 2^{-32} ns).

A direct set of the time value can be done by setting a new time value. A step adjustment value in nanoseconds may be added to the current value. Note that the adjustment value can be positive or negative.

The clock can be programmed to operate at an adjusted frequency value by programming a rate adjustment value. The clock can also be programmed to perform a temporary adjusted frequency value by including a rate adjustment duration. The rate adjustment allows for correction on the order of 2^{-32} ns per reference clock cycle. The frequency adjustment will allow the clock to correct the offset over time, avoiding any potential side-effects caused by a step adjustment in the time value.

The method used to update the clock value may depend on the difference in the values. For example, at the initial synchronization attempt, the clocks may be very far apart, and therefore require a step adjustment or a direct time set. Later, when clocks are very close in value, the temporary rate adjustment method may be the best option.

The clock does not support negative time values. If negative time is required in the system, software will have to make conversions from the PHY clock time to actual time.

The clock also does not support the upper 16-bits of the seconds field as defined by the specification (Version 2 specifies a 48-bit seconds field). If this value is required to be greater than 0, it will have to be handled by software. Since a rollover of the seconds field only occurs every 136 years, it should not be a significant burden to software.

2.3.1.1 IEEE 1588 Clock Output

The DP83630 provides for a synchronized clock signal for use by external devices. The output clock signal can be any frequency generated from 250 MHz divided by n , where n is an integer in the range of 2 to 255. This provides nominal frequencies from 125 MHz down to 980.4 kHz. The clock output signal is controlled by the PTP_COC register. The output clock signal is generated using the rate information in the PTP_RATE registers and is therefore frequency accurate to the 1588 clock time of the device. In addition, if clock time adjustments are made using the Temporary Rate capabilities, then all time adjustments will be tracked by the output clock signal as well. Note that any step adjustment in the 1588 clock time will not be accurately represented on the 1588 clock output signal.

2.3.1.2 IEEE 1588 Clock Input

The IEEE 1588 PTP logic operates on a nominal 125 MHz reference clock generated by an internal Phase Generation Module (PGM). However, options are available to use a divided-down version of the PGM clock to reduce power consumption at the expense of precision, or to use an external reference clock of up to 125 MHz in the event the 1588 clock is tracked externally.

2.3.2 PACKET TIMESTAMPS

2.3.2.1 IEEE 1588 Transmit Packet Parser and Timestamp

The IEEE 1588 transmit parser monitors transmit packet data to detect IEEE 1588 Version 1 and Version 2 Event messages. The transmit parser can detect PTP Event messages transported directly in Layer2 Ethernet packets as well as in UDP/IPv4 and UDP/IPv6 packets. Upon detection of a PTP Event Message, the device will capture the transmit timestamp and provide it to software.

Since software knows the order of packet transmission, only the timestamp is recorded (there is no need to record sequence number or other information). The device can buffer four timestamps.

If enabled, an interrupt may be generated upon a Transmit Timestamp Ready.

2.3.2.1.1 One-Step Operation

In some cases, the transmitter can be set to operate in a One-Step mode. For Sync Messages, a One-Step device can automatically insert timestamp information in the outgoing packet. This eliminates the need for software to read the timestamp and send a follow up message.

2.3.2.2 IEEE 1588 Receive Packet Parser and Timestamp

The IEEE 1588 receive parser monitors receive packet data to detect IEEE 1588 Version 1 and Version 2 Event messages. The receive parser can detect PTP Event messages transported directly in Ethernet packets as well as in UDP/IPv4 and UDP/IPv6 packets. Upon detection of a PTP Event message, the device will capture the receive timestamp and provide the timestamp value to software. In addition to the timestamp, the device will record the 16-bit SequenceId, the 4-bit messageType field, and generate a 12-bit hash value for octets 20-29 of the PTP event message. The device can buffer four timestamps.

An interrupt will be generated, if enabled, upon a Receive Timestamp Ready.

2.3.2.2.1 Receive Timestamp Insertion

The DP83630 can deliver the timestamp to software by inserting the timestamp in the received packet. This allows for a simple method to deliver the packet to software without having to match the timestamp to the correct packet. This also eliminates the need to read the receive timestamp through the Serial Management Interface.

2.3.2.3 NTP Packet Timestamp

The DP83630 may be programmed to timestamp NTP packets instead of PTP packets. This operation is enabled by setting the NTP_TS_EN control in the PTP_TXCFG0 register. When configured for NTP timestamps, the DP83630 will timestamp packets with the NTP UDP port number rather than the PTP port number (note that the device cannot be configured to timestamp both PTP and NTP packets). One-Step operation is not supported for NTP timestamps, so transmit timestamps cannot be inserted directly into outgoing NTP packets. Timestamp insertion is available for receive timestamps but must use a single, fixed location.

2.3.3 EVENT TRIGGERING AND TIMESTAMPING

2.3.3.1 IEEE 1588 Event Triggering

The DP83630 is capable of being programmed to generate a trigger signal on an output pin based on the IEEE 1588 time value. Each trigger can be programmed to generate a one-time rising or falling edge, a single pulse of programmable width, or a periodic signal.

For each trigger, the microcontroller specifies the desired GPIO and time that the activity is to occur. The trigger is generated when the internal IEEE 1588 clock matches the desired activation time.

The device supports up to 8 trigger signals which can be output on any of the GPIO signal pins. Multiple triggers may be assigned to a single GPIO, allowing generation of more complex waveforms (i.e. a sequence of varying width pulses). The trigger signals are OR'ed together to form a combined signal.

The triggers are configured through the PTP Trigger Configuration Registers. The trigger time and width settings are controlled through the PTP Control and Time Data registers.

The DP83630 can be programmed to output a Pulse-Per-Second (PPS) signal using the trigger functions.

2.3.3.2 IEEE 1588 Event Timestamping

The DP83630 can be programmed to timestamp an event by monitoring an input signal. The event can be monitored for rising edge, falling edge, or either. The Event Timestamp Unit can monitor up to eight events which can be set to any of the GPIO signal pins. PTP event timestamps are stored in a queue which allows storage of up to eight timestamps.

When an event timestamp is available, the device will set the EVENT_RDY bit in the PTP Status Register. The PTP Event Status Register (PTP_ESTS) provides detailed information on the next available event timestamp, including information on the event number, rise/fall direction, and indication of events missed due to overflow of the devices Event queue.

Event timestamp values should be adjusted by 35 ns (3 times period of the IEEE 1588 reference clock frequency of 125 MHz + 11 ns) to compensate for input path and synchronization delays.

The Event Timestamp Unit is configured through the PTP Event Configuration Register (PTP_EVNT).

2.3.4 PTP INTERRUPTS

The PTP module may interrupt the system using the PWRDOWN/INTN pin on the device, shared with other interrupts from the PHY. As an alternative, the device may be programmed to use a GPIO pin to generate PTP interrupts separate from other PHY interrupts.

2.3.5 GPIO

The DP83630 features 12 IEEE 1588 GPIO pins. These GPIO pins allow for event monitoring, triggering, interrupts, and a clock output. The LED pins comprise 3 of the 12 GPIO pins. If an LED pin is to be used as a GPIO, its LED function must be disabled prior to configuring the GPIO function.

3 Pin Descriptions

The DP83630 pins are classified into the following interface categories (each interface is described in the sections that follow):

- Serial Management Interface
- MAC Data Interface
- Clock Interface
- LED Interface
- GPIO Interface
- JTAG Interface
- Reset and Power Down
- Strap Options
- 10/100 Mb/s PMD Interface
- Power and Ground pins

All DP83630 signal pins are I/O cells regardless of the particular use. The definitions below define the functionality of the I/O cells for each pin.

Type: I Input

Type: O Output

Type: I/O Input/Output

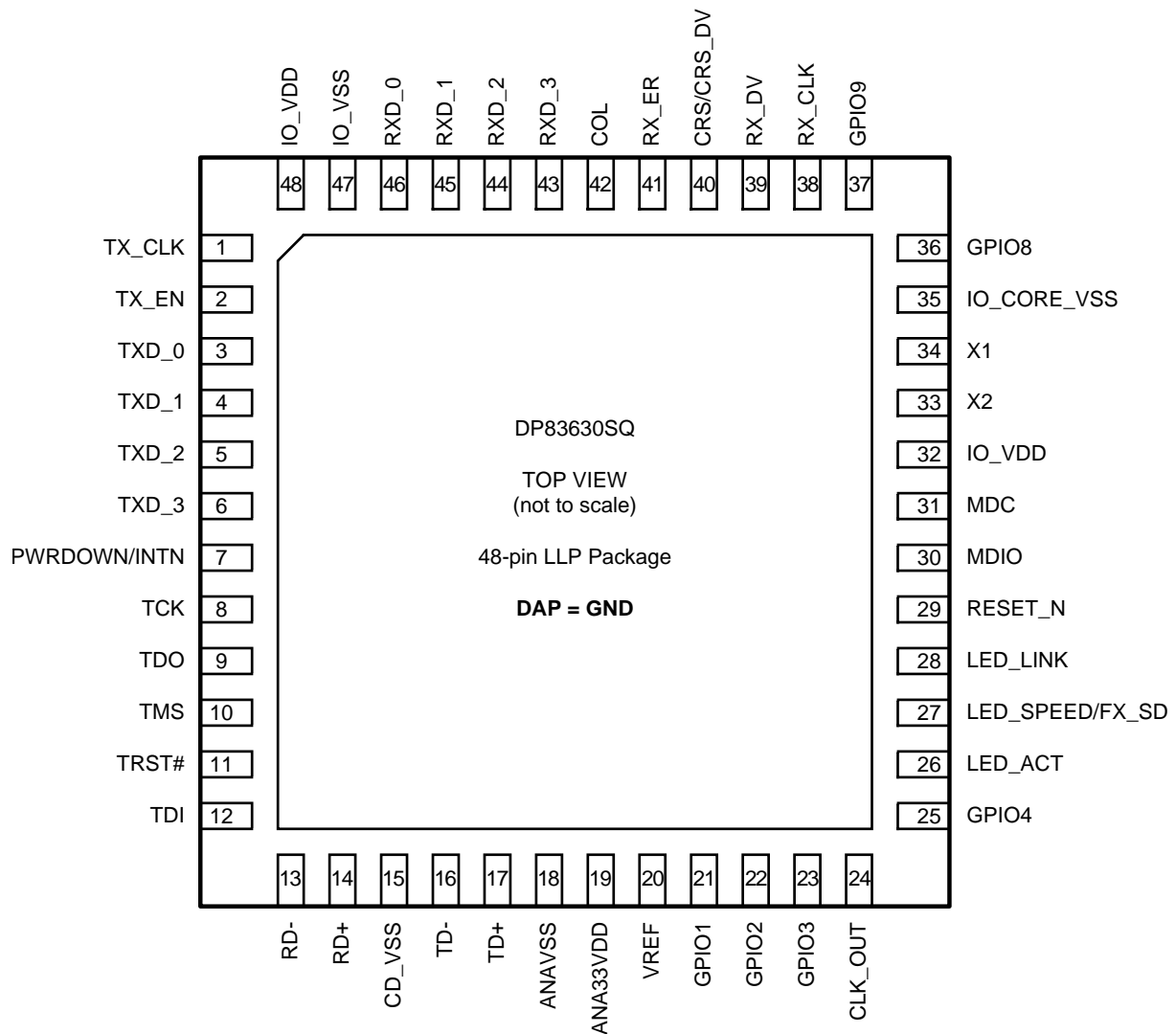
Type: OD Open Drain

Type: PD Internal Pulldown

Type: PU Internal Pullup

Type: S Strapping Pin (All strap pins have weak internal pull-ups or pull-downs. If the default strap value is to be changed then an external 2.2 k Ω resistor should be used. Please see [Strap Options](#) for details.)

3.1 Pin Layout



**Figure 3-1. Top View
Package Number RHS0048A**

3.2 PACKAGE PIN ASSIGNMENTS

| RHS0048A Pin # | Pin Name | RHS0048A Pin # | Pin Name |
|----------------|--------------|----------------|--------------------------|
| 1 | TX_CLK | 26 | LED_ACT |
| 2 | TX_EN | 27 | LED_SPEED/FX_SD |
| 3 | TXD_0 | 28 | LED_LINK |
| 4 | TXD_1 | 29 | RESET_N |
| 5 | TXD_2 | 30 | MDIO |
| 6 | TXD_3 | 31 | MDC |
| 7 | PWRDOWN/INTN | 32 | IO_VDD |
| 8 | TCK | 33 | X2 |
| 9 | TDO | 34 | X1 |
| 10 | TMS | 35 | IO_CORE_VSS |
| 11 | TRST# | 36 | GPIO8 |
| 12 | TDI | 37 | GPIO9 |
| 13 | RD- | 38 | RX_CLK |
| 14 | RD+ | 39 | RX_DV |
| 15 | CD_VSS | 40 | CRS/CRS_DV |
| 16 | TD- | 41 | RX_ER |
| 17 | TD+ | 42 | COL |
| 18 | ANAVSS | 43 | RXD_3 |
| 19 | ANA33VDD | 44 | RXD_2 |
| 20 | VREF | 45 | RXD_1 |
| 21 | GPIO1 | 46 | RXD_0 |
| 22 | GPIO2 | 47 | IO_VSS |
| 23 | GPIO3 | 48 | IO_VDD |
| 24 | CLK_OUT | DAP | NC or GND ⁽¹⁾ |
| 25 | GPIO4 | | |

(1) Die Attach Pad (DAP) provides thermal dissipation. Connection to GND plane recommended.

3.3 SERIAL MANAGEMENT INTERFACE

| Signal Name | Pin Name | Type | Pin # | Description |
|-------------|----------|------|-------|---|
| MDC | MDC | I | 31 | MANAGEMENT DATA CLOCK: Synchronous clock to the MDIO management data input/output serial interface which may be asynchronous to transmit and receive clocks. The maximum clock rate is 25 MHz with no minimum clock rate. |
| MDIO | MDIO | I/O | 30 | MANAGEMENT DATA I/O: Bi-directional management instruction/data signal that may be sourced by the station management entity or the PHY. This pin requires a 1.5 kΩ pullup resistor. Alternately, an internal pullup may be enabled by setting bit 3 in the CDCTRL1 register. |

3.4 MAC DATA INTERFACE

| Signal Name | Pin Name | Type | Pin # | Description |
|----------------------------------|----------------------------------|----------------------|----------------------|--|
| TX_CLK | TX_CLK | O | 1 | MII TRANSMIT CLOCK: 25 MHz Transmit clock output in 100 Mb/s mode or 2.5 MHz in 10 Mb/s mode derived from the 25 MHz reference clock. The MAC should source TX_EN and TXD[3:0] using this clock. RMII MODE: Unused in RMII Slave mode. The device uses the X1 reference clock input as the 50 MHz reference for both transmit and receive. For RMII Master mode, the device outputs the internally generated 50 MHz reference clock on this pin. This pin provides an integrated 50 ohm signal termination, making external termination resistors unnecessary. |
| TX_EN | TX_EN | I, PD | 2 | MII TRANSMIT ENABLE: Active high input indicates the presence of valid data inputs on TXD[3:0]. RMII TRANSMIT ENABLE: Active high input indicates the presence of valid data on TXD[1:0]. |
| TXD_0 TXD_1 TXD_2 TXD_3 | TXD_0 TXD_1 TXD_2 TXD_3 | I I I I, PD | 3 4 5 6 | MII TRANSMIT DATA: Transmit data MII input pins, TXD[3:0], that accept data synchronous to the TX_CLK (2.5 MHz in 10 Mb/s mode or 25 MHz in 100 Mb/s mode). RMII TRANSMIT DATA: Transmit data RMII input pins, TXD[1:0], that accept data synchronous to the 50 MHz reference clock. |
| RX_CLK | RX_CLK | O | 38 | MII RECEIVE CLOCK: Provides the 25 MHz recovered receive clocks for 100 Mb/s mode and 2.5 MHz for 10 Mb/s mode. RMII MODE: Unused in RMII Slave mode. The device uses the X1 reference clock input as the 50 MHz reference for both transmit and receive. For RMII Master mode, the device outputs the internally generated 50 MHz reference clock on this pin. This pin provides an integrated 50 ohm signal termination, making external termination resistors unnecessary. |
| RX_DV | RX_DV | O, PD | 39 | MII RECEIVE DATA VALID: Asserted high to indicate that valid data is present on the corresponding RXD[3:0]. RMII RECEIVE DATA VALID: This signal provides the RMII Receive Data Valid indication independent of Carrier Sense. This pin provides an integrated 50 ohm signal termination, making external termination resistors unnecessary. |
| RX_ER | RX_ER | S, O, PU | 41 | MII RECEIVE ERROR: Asserted high synchronously to RX_CLK to indicate that an invalid symbol has been detected within a received packet in 100 Mb/s mode. RMII RECEIVE ERROR: Asserted high synchronously to X1 whenever a media error is detected, and RX_DV is asserted in 100 Mb/s mode. This pin is not required to be used by a MAC in RMII mode, since the PHY is required to corrupt data on a receive error. This pin provides an integrated 50 ohm signal termination, making external termination resistors unnecessary. |
| RXD_0 RXD_1 RXD_2 RXD_3 | RXD_0 RXD_1 RXD_2 RXD_3 | S, O, PD | 46 45 44 43 | MII RECEIVE DATA: Nibble wide receive data signals driven synchronously to the RX_CLK (25 MHz for 100 Mb/s mode, 2.5 MHz for 10 Mb/s mode). RXD[3:0] signals contain valid data when RX_DV is asserted. RMII RECEIVE DATA: 2-bits receive data signals, RXD[1:0], driven synchronously to the 50 MHz reference clock. These pins provide integrated 50 ohm signal terminations, making external termination resistors unnecessary. |

| Signal Name | Pin Name | Type | Pin # | Description |
|-------------|------------|----------|-------|--|
| CRS/CRS_DV | CRS/CRS_DV | S, O, PU | 40 | <p>MII CARRIER SENSE: Asserted high to indicate the receive medium is non-idle.</p> <p>RMII CARRIER SENSE/RECEIVE DATA VALID: This signal combines the RMII Carrier and Receive Data Valid indications. For a detailed description of this signal, see the RMII Specification.</p> <p>This pin provides an integrated 50 ohm signal termination, making external termination resistors unnecessary.</p> |
| COL | COL | S, O, PU | 42 | <p>MII COLLISION DETECT: Asserted high to indicate detection of a collision condition (simultaneous transmit and receive activity) in 10 Mb/s and 100 Mb/s Half Duplex Modes.</p> <p>While in 10BASE-T Half Duplex mode with heartbeat enabled this pin is also asserted for a duration of approximately 1μs at the end of transmission to indicate heartbeat (SQE test).</p> <p>In Full Duplex Mode, for 10 Mb/s or 100 Mb/s operation, this signal is always logic 0. There is no heartbeat function during 10 Mb/s full duplex operation.</p> <p>RMII COLLISION DETECT: Per the RMII Specification, no COL signal is required. The MAC will recover CRS from the CRS_DV signal and use that along with its TX_EN signal to determine collision.</p> <p>This pin provides an integrated 50 ohm signal termination, making external termination resistors unnecessary.</p> |

3.5 CLOCK INTERFACE

| Signal Name | Pin Name | Type | Pin # | Description |
|-------------|----------|---------|-------|--|
| X1 | X1 | I | 34 | <p>CRYSTAL/OSCILLATOR INPUT: This pin is the primary clock reference input for the DP83630 and must be connected to a 25 MHz 0.005% (\pm50 ppm) clock source. The DP83630 supports either an external crystal resonator connected across pins X1 and X2 or an external CMOS-level oscillator source connected to pin X1 only.</p> <p>RMII REFERENCE CLOCK: For RMII Slave Mode, this pin must be connected to a 50 MHz 0.005% (\pm50 ppm) CMOS-level oscillator source. In RMII Master Mode, a 25 MHz reference is required, either from an external crystal resonator connected across pins X1 and X2 or from an external CMOS-level oscillator source connected to pin X1 only.</p> |
| X2 | X2 | O | 33 | <p>CRYSTAL OUTPUT: This pin is the primary clock reference output to connect to an external 25 MHz crystal resonator device. This pin must be left unconnected if an external CMOS oscillator clock source is used.</p> |
| CLK_OUT | CLK_OUT | I/O, PD | 24 | <p>CLOCK OUTPUT: This pin provides a highly configurable system clock, which may have one of four sources:</p> <ol style="list-style-type: none"> Relative to the internal PTP clock, with a default frequency of 25 MHz (default) 50 MHz RMII reference clock in RMII Master Mode 25 MHz Receive Clock (same as RX_CLK) in 100 Mb mode 25 MHz or 50 MHz pass-through of X1 reference clock <p>CLOCK INPUT: This pin is used to input an external IEEE 1588 reference clock for use by the IEEE 1588 logic. The CLK_OUT_EN strap should be disabled in the system to prevent possible contention. The PTP_CLKSRC register must be configured prior to enabling the IEEE 1588 function in order to allow correct operation.</p> |

3.6 LED INTERFACE

The DP83630 supports three configurable LED pins. The LEDs support two operational modes which are selected by the LED mode strap and a third operational mode which is register configurable. The definitions for the LEDs for each mode are detailed below.

| Signal Name | Pin Name | Type | Pin # | Description |
|-------------|---------------------|----------|-------|--|
| LED_LINK | LED_LINK | S, O, PU | 28 | LINK LED: In Mode 1, this pin indicates the status of the LINK. The LED will be ON when Link is good. LINK/ACT LED: In Mode 2 and Mode 3, this pin indicates transmit and receive activity in addition to the status of the Link. The LED will be ON when Link is good. It will blink when the transmitter or receiver is active. |
| LED_SPEED | LED_SPEED/FX_S D | S, O, PU | 27 | SPEED LED: The LED is ON when device is in 100 Mb/s and OFF when in 10 Mb/s. Functionality of this LED is independent of mode selected. |
| LED_ACT | LED_ACT | S, O, PU | 26 | ACTIVITY LED: In Mode 1, this pin is the Activity LED which is ON when activity is present on either Transmit or Receive. COLLISION/DUPLEX LED: In Mode 2, this pin by default indicates Collision detection. In Mode 3, this LED output indicates Full-Duplex status. |

3.7 IEEE 1588 EVENT/TRIGGER/CLOCK INTERFACE

| Signal Name | Pin Name | Type | Pin # | Description |
|----------------------------------|--|---------|----------------------|---|
| GPIO1 GPIO2 GPIO3 GPIO4 | GPIO1 GPIO2 GPIO3 GPIO4 | I/O, PD | 21 22 23 25 | General Purpose I/O: These pins may be used to signal or detect events. |
| GPIO5 GPIO6 GPIO7 | LED_ACT LED_SPEED/FX_S D LED_LINK | I/O, PU | 26 27 28 | General Purpose I/O: These pins may be used to signal or detect events. Care should be taken when designing systems that use LEDs but use these pins as GPIOs. To disable the LED functions, refer to LED Direct Control Register (LEDCR) . |
| GPIO8 GPIO9 | GPIO8 GPIO9 | I/O, PD | 36 37 | General Purpose I/O: These pins may be used to signal or detect events. |
| GPIO10 GPIO11 | TDO TDI | I/O, PU | 9 12 | General Purpose I/O: These pins may be used to signal or detect events. Care should be taken when designing systems that use the JTAG interface but use these pins as GPIOs. |
| GPIO12 | CLK_OUT | I/O, PD | 24 | General Purpose I/O: This pin may be used to signal or detect events or may output a programmable clock signal synchronized to the internal IEEE 1588 clock or may be used as an input for an externally generated IEEE 1588 reference clock. If the system does not require the CLK_OUT signal, the CLK_OUT output should be disabled via the CLK_OUT_EN strap. |

3.8 JTAG INTERFACE

| Signal Name | Pin Name | Type | Pin # | Description |
|-------------|----------|-------|-------|---|
| TCK | TCK | I, PU | 8 | TEST CLOCK This pin has a weak internal pullup. |
| TDO | TDO | O | 9 | TEST OUTPUT |
| TMS | TMS | I, PU | 10 | TEST MODE SELECT This pin has a weak internal pullup. |
| TRST# | TRST# | I, PU | 11 | TEST RESET: Active low test reset. This pin has a weak internal pullup. |
| TDI | TDI | I, PU | 12 | TEST DATA INPUT This pin has a weak internal pullup. |

3.9 RESET AND POWER DOWN

| Signal Name | Pin Name | Type | Pin # | Description |
|--------------|--------------|-------|-------|---|
| RESET_N | RESET_N | I, PU | 29 | RESET: Active Low input that initializes or re-initializes the DP83630. Asserting this pin low for at least 1 μ s will force a reset process to occur. All internal registers will re-initialize to their default states as specified for each bit in the Register Block section. All strap options are re-initialized as well. |
| PWRDOWN/INTN | PWRDOWN/INTN | I, PU | 7 | The default function of this pin is POWER DOWN. POWER DOWN: Asserting this signal low enables the DP83630 Power Down mode of operation. In this mode, the DP83630 will power down and consume minimum power. Register access will be available through the Management Interface to configure and power up the device. INTERRUPT: This pin may be programmed as an interrupt output instead of a Powerdown input. In this mode, Interrupts will be asserted low using this pin. Register access is required for the pin to be used as an interrupt mechanism. See Interrupt Mechanisms for more details on the interrupt mechanisms. |

3.10 STRAP OPTIONS

The DP83630 uses many of the functional pins as strap options to place the device into specific modes of operation. The values of these pins are sampled at power up or hard reset. During software resets, the strap options are internally reloaded from the values sampled at power up or hard reset. The strap option pin assignments are defined below. The functional pin name is indicated in parentheses.

A 2.2 k Ω resistor should be used for pull-down or pull-up to change the default strap option. If the default option is required, then there is no need for external pull-up or pull down resistors. Since these pins may have alternate functions after reset is deasserted, they should not be connected directly to V_{CC} or GND.

| Signal Name | Pin Name | Type | Pin # | Description |
|-------------|----------|----------|-------|---|
| PHYAD0 | COL | S, O, PU | 42 | PHY ADDRESS [4:0]: The DP83630 provides five PHY address pins, the state of which are latched into the PHYCTRL register at system Hardware-Reset. The DP83630 supports PHY Address strapping values 0 (<00000>) through 31 (<11111>). A PHY Address of 0 puts the part into the MII Isolate Mode. The MII isolate mode must be selected by strapping PHY Address 0; changing to Address 0 by register write will not put the PHY in the MII isolate mode. PHYAD[0] pin has weak internal pull-up resistor. PHYAD[4:1] pins have weak internal pull-down resistors. |
| PHYAD1 | RXD_3 | S, O, PD | 43 | |
| PHYAD2 | RXD_2 | S, O, PD | 44 | |
| PHYAD3 | RXD_1 | S, O, PD | 45 | |
| PHYAD4 | RXD_0 | S, O, PD | 46 | |

| Signal Name | Pin Name | Type | Pin # | Description | | | | | | | | | | | | | | | | | | | | | | | | | | | | | | | | | | | | | | | | | | | | | | | | | | | | | | | | | | | | |
|---------------------|--|----------------------------------|----------------|---|----------|--------------------|-----|----------|-------------|-----------|---|---|---|-----------------------|---|---|---|---|-----------------------|---|---|---|---|-------------------------|---|---|---|---|-------------------------|---|---|---|---|-------------------------|---|---|---|---|-------------------------|---------|-------|-----|-----|-----------------|---|---|---|---|----------------------------|---|---|---|---|------------------------------|---|---|---|---|-------------------------|---|---|---|---|---|
| AN_EN AN1 AN0 | LED_LINK LED_SPEED/FX_S D LED_ACT | S, O, PU S, O, PU S, O, PU | 28 27 26 | <p>AUTO-NEGOTIATION ENABLE: When high, this enables Auto-Negotiation with the capability set by AN0 and AN1 pins. When low, this puts the part into Forced Mode with the capability set by AN0 and AN1 pins.</p> <p>AN0 / AN1: These input pins control the forced or advertised operating mode of the DP83630 according to the following table. The value on these pins is set by connecting the input pins to GND (0) or V_{CC} (1) through 2.2 kΩ resistors. These pins should NEVER be connected directly to GND or V_{CC}. The value set at this input is latched into the DP83630 at Hardware-Reset.</p> <p>The float/pull-down status of these pins are latched into the Basic Mode Control Register and the Auto_Negotiation Advertisement Register during Hardware-Reset.</p> <p>The default is 111 since these pins have internal pull-ups.</p> <p>FIBER MODE DUPLEX SELECTION: If Fiber mode is strapped using the FX_EN_Z pin (FX_EN_Z = 0), the AN0 strap value is used to select half or full duplex. AN_EN and AN1 are ignored in Fiber mode since it is 100 Mb only and does not support Auto-Negotiation. In Fiber mode, AN1 should not be connected to any system components except the fiber transceiver.</p> <table border="1"> <thead> <tr> <th>FX_EN_Z</th> <th>AN_EN</th> <th>AN1</th> <th>AN0</th> <th>Forced Mode</th> </tr> </thead> <tbody> <tr> <td>1</td> <td>0</td> <td>0</td> <td>0</td> <td>10BASE-T, Half-Duplex</td> </tr> <tr> <td>1</td> <td>0</td> <td>0</td> <td>1</td> <td>10BASE-T, Full-Duplex</td> </tr> <tr> <td>1</td> <td>0</td> <td>1</td> <td>0</td> <td>100BASE-TX, Half-Duplex</td> </tr> <tr> <td>1</td> <td>0</td> <td>1</td> <td>1</td> <td>100BASE-TX, Full-Duplex</td> </tr> <tr> <td>0</td> <td>X</td> <td>X</td> <td>0</td> <td>100BASE-FX, Half-Duplex</td> </tr> <tr> <td>0</td> <td>X</td> <td>X</td> <td>1</td> <td>100BASE-FX, Full-Duplex</td> </tr> <tr> <th>FX_EN_Z</th> <th>AN_EN</th> <th>AN1</th> <th>AN0</th> <th>Advertised Mode</th> </tr> <tr> <td>1</td> <td>1</td> <td>0</td> <td>0</td> <td>10BASE-T, Half/Full-Duplex</td> </tr> <tr> <td>1</td> <td>1</td> <td>0</td> <td>1</td> <td>100BASE-TX, Half/Full-Duplex</td> </tr> <tr> <td>1</td> <td>1</td> <td>1</td> <td>0</td> <td>100BASE-TX, Full-Duplex</td> </tr> <tr> <td>1</td> <td>1</td> <td>1</td> <td>1</td> <td>10BASE-T, Half/Full-Duplex, 100BASE-TX, Half/Full-Duplex</td> </tr> </tbody> </table> | FX_EN_Z | AN_EN | AN1 | AN0 | Forced Mode | 1 | 0 | 0 | 0 | 10BASE-T, Half-Duplex | 1 | 0 | 0 | 1 | 10BASE-T, Full-Duplex | 1 | 0 | 1 | 0 | 100BASE-TX, Half-Duplex | 1 | 0 | 1 | 1 | 100BASE-TX, Full-Duplex | 0 | X | X | 0 | 100BASE-FX, Half-Duplex | 0 | X | X | 1 | 100BASE-FX, Full-Duplex | FX_EN_Z | AN_EN | AN1 | AN0 | Advertised Mode | 1 | 1 | 0 | 0 | 10BASE-T, Half/Full-Duplex | 1 | 1 | 0 | 1 | 100BASE-TX, Half/Full-Duplex | 1 | 1 | 1 | 0 | 100BASE-TX, Full-Duplex | 1 | 1 | 1 | 1 | 10BASE-T, Half/Full-Duplex, 100BASE-TX, Half/Full-Duplex |
| FX_EN_Z | AN_EN | AN1 | AN0 | Forced Mode | | | | | | | | | | | | | | | | | | | | | | | | | | | | | | | | | | | | | | | | | | | | | | | | | | | | | | | | | | | | |
| 1 | 0 | 0 | 0 | 10BASE-T, Half-Duplex | | | | | | | | | | | | | | | | | | | | | | | | | | | | | | | | | | | | | | | | | | | | | | | | | | | | | | | | | | | | |
| 1 | 0 | 0 | 1 | 10BASE-T, Full-Duplex | | | | | | | | | | | | | | | | | | | | | | | | | | | | | | | | | | | | | | | | | | | | | | | | | | | | | | | | | | | | |
| 1 | 0 | 1 | 0 | 100BASE-TX, Half-Duplex | | | | | | | | | | | | | | | | | | | | | | | | | | | | | | | | | | | | | | | | | | | | | | | | | | | | | | | | | | | | |
| 1 | 0 | 1 | 1 | 100BASE-TX, Full-Duplex | | | | | | | | | | | | | | | | | | | | | | | | | | | | | | | | | | | | | | | | | | | | | | | | | | | | | | | | | | | | |
| 0 | X | X | 0 | 100BASE-FX, Half-Duplex | | | | | | | | | | | | | | | | | | | | | | | | | | | | | | | | | | | | | | | | | | | | | | | | | | | | | | | | | | | | |
| 0 | X | X | 1 | 100BASE-FX, Full-Duplex | | | | | | | | | | | | | | | | | | | | | | | | | | | | | | | | | | | | | | | | | | | | | | | | | | | | | | | | | | | | |
| FX_EN_Z | AN_EN | AN1 | AN0 | Advertised Mode | | | | | | | | | | | | | | | | | | | | | | | | | | | | | | | | | | | | | | | | | | | | | | | | | | | | | | | | | | | | |
| 1 | 1 | 0 | 0 | 10BASE-T, Half/Full-Duplex | | | | | | | | | | | | | | | | | | | | | | | | | | | | | | | | | | | | | | | | | | | | | | | | | | | | | | | | | | | | |
| 1 | 1 | 0 | 1 | 100BASE-TX, Half/Full-Duplex | | | | | | | | | | | | | | | | | | | | | | | | | | | | | | | | | | | | | | | | | | | | | | | | | | | | | | | | | | | | |
| 1 | 1 | 1 | 0 | 100BASE-TX, Full-Duplex | | | | | | | | | | | | | | | | | | | | | | | | | | | | | | | | | | | | | | | | | | | | | | | | | | | | | | | | | | | | |
| 1 | 1 | 1 | 1 | 10BASE-T, Half/Full-Duplex, 100BASE-TX, Half/Full-Duplex | | | | | | | | | | | | | | | | | | | | | | | | | | | | | | | | | | | | | | | | | | | | | | | | | | | | | | | | | | | | |
| CLK_OUT_EN | GPIO1 | S, I, PD | 21 | CLK_OUT OUTPUT ENABLE: When high, enables clock output on the CLK_OUT pin at power-up. | | | | | | | | | | | | | | | | | | | | | | | | | | | | | | | | | | | | | | | | | | | | | | | | | | | | | | | | | | | | |
| FX_EN_Z | RX_ER | S, O, PU | 41 | FX ENABLE: This strapping option enables 100Base-FX (Fiber) mode. This mode is disabled by default. An external pull-down will enable 100Base-FX mode. | | | | | | | | | | | | | | | | | | | | | | | | | | | | | | | | | | | | | | | | | | | | | | | | | | | | | | | | | | | | |
| LED_CFG | CRS/CRS_DV | S, O, PU | 40 | LED CONFIGURATION: This strapping option determines the mode of operation of the LED pins. Default is Mode 1. Mode 1 and Mode 2 can be controlled via the strap option. All modes are configurable via register access. See Table 5-3 for LED Mode Selection. | | | | | | | | | | | | | | | | | | | | | | | | | | | | | | | | | | | | | | | | | | | | | | | | | | | | | | | | | | | | |
| MII_MODE | RX_DV | S, O, PD | 39 | <p>MII MODE SELECT: This strapping option determines the operating mode of the MAC Data Interface. Default operation is MII Mode with a value of 0 due to the internal pulldown. Strapping MII_MODE high will cause the device to be in RMII mode of operation.</p> <table border="1"> <thead> <tr> <th>MII_MODE</th> <th>MAC Interface Mode</th> </tr> </thead> <tbody> <tr> <td>0</td> <td>MII Mode</td> </tr> <tr> <td>1</td> <td>RMII Mode</td> </tr> </tbody> </table> | MII_MODE | MAC Interface Mode | 0 | MII Mode | 1 | RMII Mode | | | | | | | | | | | | | | | | | | | | | | | | | | | | | | | | | | | | | | | | | | | | | | | | | | | | | | |
| MII_MODE | MAC Interface Mode | | | | | | | | | | | | | | | | | | | | | | | | | | | | | | | | | | | | | | | | | | | | | | | | | | | | | | | | | | | | | | | |
| 0 | MII Mode | | | | | | | | | | | | | | | | | | | | | | | | | | | | | | | | | | | | | | | | | | | | | | | | | | | | | | | | | | | | | | | |
| 1 | RMII Mode | | | | | | | | | | | | | | | | | | | | | | | | | | | | | | | | | | | | | | | | | | | | | | | | | | | | | | | | | | | | | | | |
| PCF_EN | GPIO2 | S, I, PD | 22 | PHY CONTROL FRAME ENABLE: When high, allows the DP83630 to respond to PHY Control Frames. | | | | | | | | | | | | | | | | | | | | | | | | | | | | | | | | | | | | | | | | | | | | | | | | | | | | | | | | | | | | |
| RMII_MAS | TXD_3 | S, I, PD | 6 | RMII MASTER ENABLE: When MII_MODE is strapped high, this strapping option enables RMII Master mode, in which the DP83630 uses a 25 MHz crystal connection on X1/X2 and generates the 50 MHz RMII reference clock. If strapped low when MII_MODE is strapped high, default RMII operation (RMII Slave) is enabled, in which the DP83630 uses a 50 MHz oscillator input on X1 as the RMII reference clock. This strap option is ignored if the MII_MODE strap is low. | | | | | | | | | | | | | | | | | | | | | | | | | | | | | | | | | | | | | | | | | | | | | | | | | | | | | | | | | | | | |

3.11 10 Mb/s AND 100 Mb/s PMD INTERFACE

| Signal Name | Pin Name | Type | Pin # | Description |
|-------------|---------------------|------------|----------|--|
| TD- TD+ | TD- TD+ | I/O | 16 17 | Differential common driver transmit output (PMD Output Pair). These differential outputs are automatically configured to either 10BASE-T or 100BASE-TX signaling. In Auto-MDIX mode of operation, this pair can be used as the Receive Input pair. In 100BASE-FX mode, this pair becomes the 100BASE-FX Transmit pair. These pins require 3.3V bias for operation. |
| RD- RD+ | RD- RD+ | I/O | 13 14 | Differential receive input (PMD Input Pair). These differential inputs are automatically configured to accept either 100BASE-TX or 10BASE-T signaling. In Auto-MDIX mode of operation, this pair can be used as the Transmit Output pair. In 100BASE-FX mode, this pair becomes the 100BASE-FX Receive pair. These pins require 3.3V bias for operation. |
| FX_SD | LED_SPEED/FX_S D | S, I/O, PU | 27 | FIBER MODE SIGNAL DETECT: This pin provides the Signal Detect input for 100BASE-FX mode. |

3.12 POWER SUPPLY PINS

| Signal Name | Pin Name | Type | Pin # | Description |
|-------------|-------------|--------|----------|---|
| ANAVSS | ANAVSS | Ground | 18 | Analog Ground |
| ANA33VDD | ANA33VDD | Supply | 19 | Analog VDD Supply |
| CD_VSS | CD_VSS | Ground | 15 | Analog Ground |
| IO_CORE_VSS | IO_CORE_VSS | Ground | 35 | Digital Ground |
| IO_VDD | IO_VDD | Supply | 32 48 | I/O VDD Supply |
| IO_VSS | IO_VSS | Ground | 47 | Digital Ground |
| VREF | VREF | | 20 | Bias Resistor Connection. A 4.87 kΩ 1% resistor should be connected from VREF to GND. |
| DAP | DAP | | | No Connect or Connect to GND ⁽¹⁾ |

(1) Die Attach Pad (DAP) provides thermal dissipation. Connection to GND plane recommended.

4 Electrical Specifications

4.1 Absolute Maximum Ratings⁽¹⁾⁽²⁾⁽³⁾

| | | |
|--|--|--------------------------|
| Supply Voltage (V_{CC}) | | -0.5 V to 4.2 V |
| DC Input Voltage (V_{IN}) | | -0.5V to $V_{CC} + 0.5V$ |
| DC Output Voltage (V_{OUT}) | | -0.5V to $V_{CC} + 0.5V$ |
| Storage Temperature (T_{STG}) | | -65°C to 150°C |
| Maximum Case Temperature for $T_A = 85$ °C | | 95 °C |
| Maximum Die Temperature (T_J) | | 150 °C |
| ESD Rating | ($R_{ZAP} = 1.5k$, $C_{ZAP} = 120$ pF) | 8.0 kV |

- (1) Absolute maximum ratings are those values beyond which the safety of the device cannot be ensured. They are not meant to imply that the device should be operated at these limits.
- (2) For soldering specifications: see product folder at www.ti.com and [SNOA549c](#).
- (3) If Military/Aerospace specified devices are required, please contact the Texas Instruments Sales Office/Distributors for availability and specifications.

4.2 Recommended Operating Conditions

| | |
|---|------------------------|
| Analog Supply Voltage (V_{CC}) | 3.3 Volts \pm 0.3V |
| I/O Supply Voltage (V_{IO}) | 3.3 Volts \pm 10% or |
| | 2.5 Volts \pm 5% |
| Industrial Temperature (T_I) | -40 to 85 °C |
| Power Dissipation (P_D) with $V_{IO} = 3.3$ V | 290 mW |
| Power Dissipation (P_D) with $V_{IO} = 2.5$ V | 260 mW |

4.3 AC and DC Specifications

| Thermal Characteristic | | |
|--|-----|--------|
| | Max | Units |
| Theta Junction to Case (T_{jc}) | TBD | °C / W |
| Theta Junction to Ambient (T_{ja}) degrees Celsius/Watt - No Airflow @ 1.0 W | TBD | °C / W |

4.4 DC Specifications

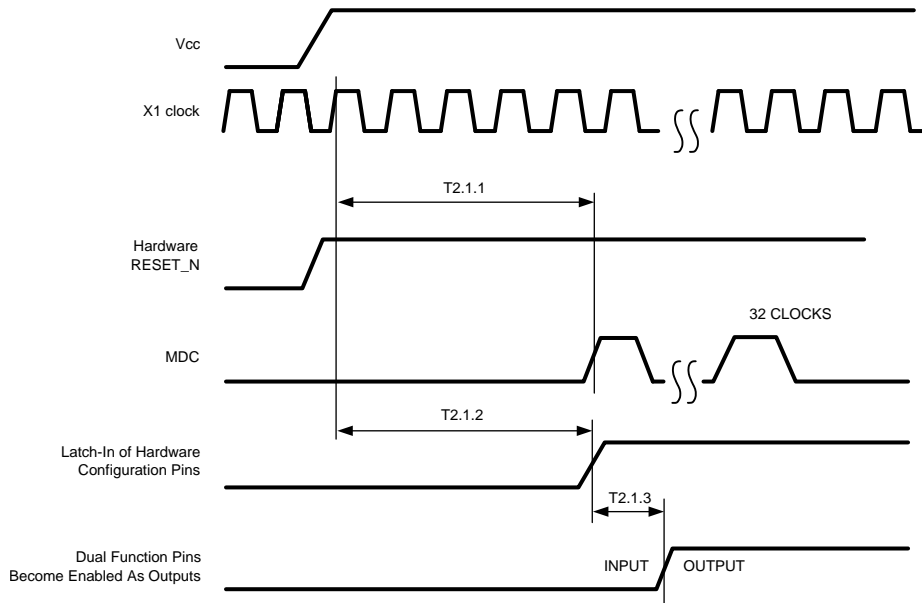
| Symbol | Pin Types | Parameter | Conditions | Min | Type | Max | Units |
|-----------------|-----------------|--|--|-----------------|------|---------|---------------|
| V_{IH} | I I/O | Input High Voltage | | 2.0 | | | V |
| V_{IL} | I I/O | Input Low Voltage | $V_{I/O} = 3.3\text{ V}$ | | | 0.8 | V |
| | | | $V_{I/O} = 2.5\text{ V}$ | | | 0.7 | V |
| I_{IH} | I I/O | Input High Current | $V_{IN} = V_{I/O}$ | | | 10 | μA |
| I_{IL} | I I/O | Input Low Current | $V_{IN} = \text{GND}$ | | | 10 | μA |
| V_{OL} | O I/O | Output Low Voltage | $I_{OL} = 4\text{ mA}$ | | | 0.4 | V |
| V_{OH} | O I/O | Output High Voltage | $I_{OH} = -4\text{ mA}$ | $V_{I/O} - 0.5$ | | | V |
| I_{OZ} | O I/O | TRI-STATE Output Leakage Current | $V_{OUT} = V_{I/O}$ or GND | -10 | | 10 | μA |
| V_{TPTD_100} | PMD Output Pair | 100M Transmit Voltage | | 0.95 | 1 | 1.05 | V |
| $V_{TPTDsym}$ | PMD Output Pair | 100M Transmit Voltage Symmetry | | | | ± 2 | % |
| V_{TPTD_10} | PMD Output Pair | 10M Transmit Voltage | | 2.2 | 2.5 | 2.8 | V |
| V_{FXTD_100} | PMD Output Pair | FX 100M Transmit Voltage | | 0.3 | 0.5 | 0.93 | V |
| C_{IN1} | I | CMOS Input Capacitance | | | 8 | | pF |
| C_{OUT1} | O | CMOS Output Capacitance | | | 8 | | pF |
| S_{DTHon} | PMD Input Pair | 100BASE-TX Signal detect turn-on threshold | | | | 1000 | mV diff pk-pk |
| S_{DTHoff} | PMD Input Pair | Signal detect turn-off threshold | | 200 | | | mV diff pk-pk |
| V_{TH} | PMD Input Pair | 10BASE-T Receive Threshold | | 300 | | 585 | mV |
| I_{dd100} | Supply | 100BASE-TX (Full Duplex) | $V_{CC} = 3.3\text{ V}$, $V_{I/O} = 3.3\text{ V}$, $I_{OUT} = 0\text{ mA}^{(1)}$ | | 88 | | mA |
| | | | $V_{CC} = 3.3\text{ V}$, $V_{I/O} = 2.5\text{ V}$, $I_{OUT} = 0\text{ mA}^{(1)}$ | | 84 | | mA |
| I_{dd10} | Supply | 10BASE-T (Full Duplex) | $V_{CC} = 3.3\text{ V}$, $V_{I/O} = 3.3\text{ V}$, $I_{OUT} = 0\text{ mA}^{(1)}$ | | 105 | | mA |
| | | | $V_{CC} = 3.3\text{ V}$, $V_{I/O} = 2.5\text{ V}$, $I_{OUT} = 0\text{ mA}^{(1)}$ | | 103 | | mA |
| I_{dd} | Supply | Power Down Mode | CLK_OUT disabled | | 10 | | mA |

(1) For I_{dd} measurements, outputs are not loaded

4.5 AC Specifications — Power Up Timing

| Parameter | Description | Notes | Min | Typ | Max | Units |
|-----------|---|---|-----|-----|-----|-------|
| T2.1.1 | Post Power Up Stabilization time prior to MDC preamble for register accesses ⁽¹⁾ | MDIO is pulled high for 32-bit serial management initialization. | 167 | | | ms |
| T2.1.2 | Hardware Configuration Latch-in Time from power up ⁽¹⁾ | Hardware Configuration Pins are described in the Pin Description section. | 167 | | | ms |
| T2.1.3 | Hardware Configuration pins transition to output drivers | | | 50 | | ns |

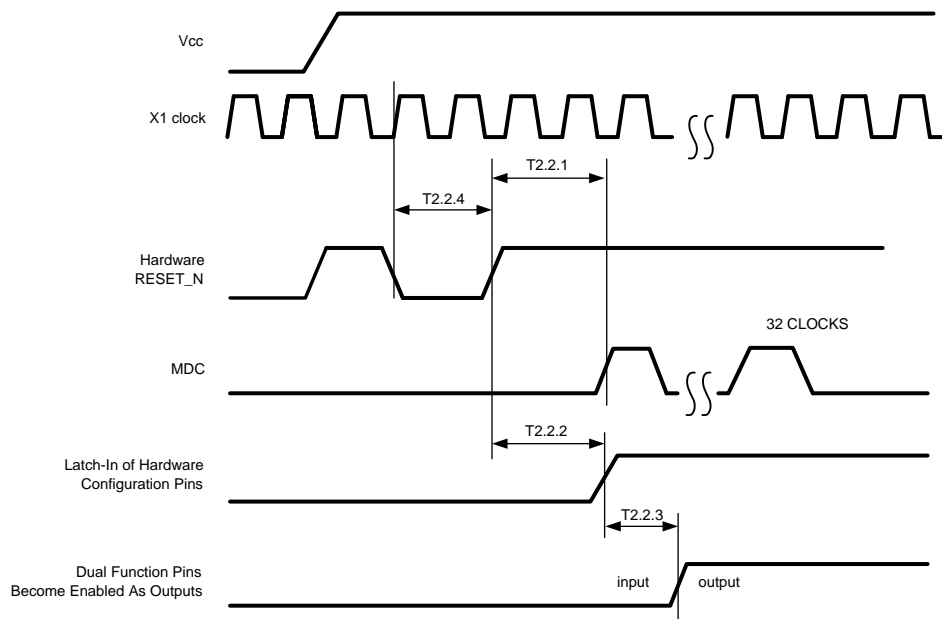
(1) In RMII Slave Mode, the minimum Post Power up Stabilization and Hardware Configuration Latch-in times are 84 ms.



4.6 AC Specifications — Reset Timing

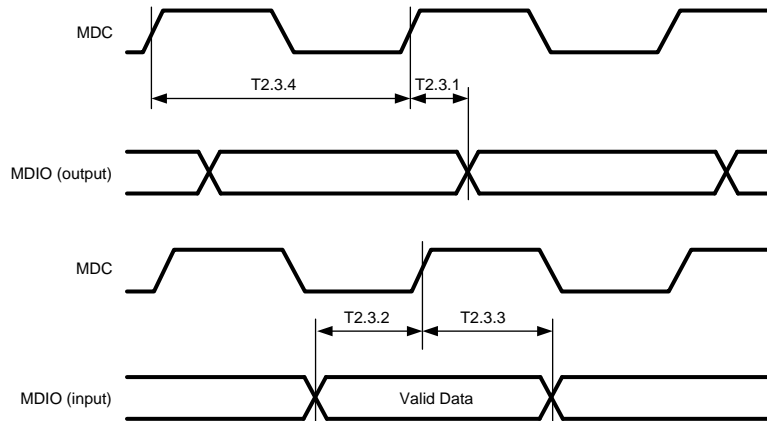
| Parameter | Description | Notes | Min | Typ | Max | Units |
|-----------|---|---|-----|-----|-----|---------------|
| T2.2.1 | Post RESET Stabilization time prior to MDC preamble for register accesses | MDIO is pulled high for 32-bit serial management initialization | | 3 | | μs |
| T2.2.2 | Hardware Configuration Latch-in Time from the Deassertion of RESET (either soft or hard) ⁽¹⁾ | Hardware Configuration Pins are described in the Pin Description section | | 3 | | μs |
| T2.2.3 | Hardware Configuration pins transition to output drivers | | | 50 | | ns |
| T2.2.4 | RESET pulse width | X1 Clock must be stable for at min. of 1 μs during RESET pulse low time. | 1 | | | μs |

(1) It is important to choose pull-up and/or pull-down resistors for each of the hardware configuration pins that provide fast RC time constants in order to latch-in the proper value prior to the pin transitioning to an output driver.



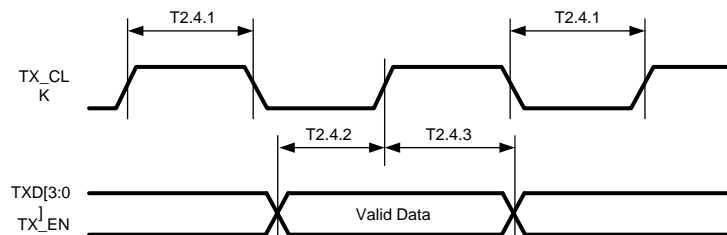
4.7 AC Specifications — MII Serial Management Timing

| Parameter | Description | Notes | Min | Typ | Max | Units |
|-----------|---------------------------------|-------|-----|-----|-----|-------|
| T2.3.1 | MDC to MDIO (Output) Delay Time | | 0 | | 20 | ns |
| T2.3.2 | MDIO (Input) to MDC Setup Time | | 10 | | | ns |
| T2.3.3 | MDIO (Input) to MDC Hold Time | | 10 | | | ns |
| T2.3.4 | MDC Frequency | | | 2.5 | 25 | MHz |



4.8 AC Specifications — 100 Mb/s MII Transmit Timing

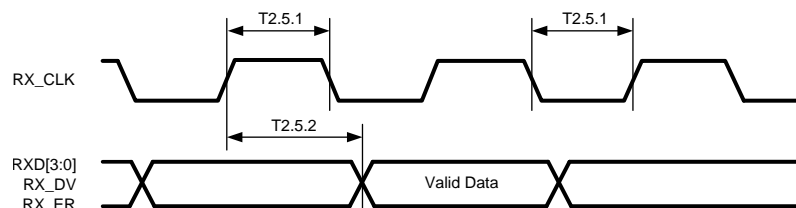
| Parameter | Description | Notes | Min | Typ | Max | Units |
|-----------|---------------------------------------|----------------------|-----|-----|-----|-------|
| T2.4.1 | TX_CLK High/Low Time | 100 Mb/s Normal mode | 16 | 20 | 24 | ns |
| T2.4.2 | TXD[3:0], TX_EN Data Setup to TX_CLK | 100 Mb/s Normal mode | 10 | | | ns |
| T2.4.3 | TXD[3:0], TX_EN Data Hold from TX_CLK | 100 Mb/s Normal mode | 0 | | | ns |



4.9 AC Specifications — 100 Mb/s MII Receive Timing

| Parameter | Description | Notes | Min | Typ | Max | Units |
|-----------|--|----------------------|-----|-----|-----|-------|
| T2.5.1 | RX_CLK High/Low Time ⁽¹⁾ | 100 Mb/s Normal mode | 16 | 20 | 24 | ns |
| T2.5.2 | RX_CLK to RXD[3:0], RX_DV, RX_ER Delay | 100 Mb/s Normal mode | 10 | | 30 | ns |

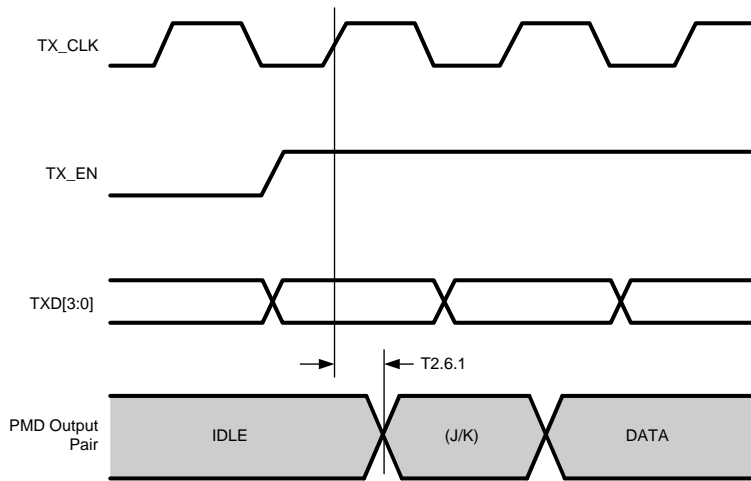
(1) RX_CLK may be held low or high for a longer period of time during transition between reference and recovered clocks. Minimum high and low times will not be violated.



4.10 AC Specifications — 100BASE-TX and 100BASE-FX MII Transmit Packet Latency Timing

| Parameter | Description | Notes | Min | Typ | Max | Units |
|-----------|---|---|-----|--------|-----|--------------|
| T2.6.1 | TX_CLK to PMD Output Pair Latency ⁽¹⁾⁽²⁾ | 100BASE-TX and 100BASE-FX modes IEEE 1588 One-Step Operation enabled | | 5 9 | | bits bits |

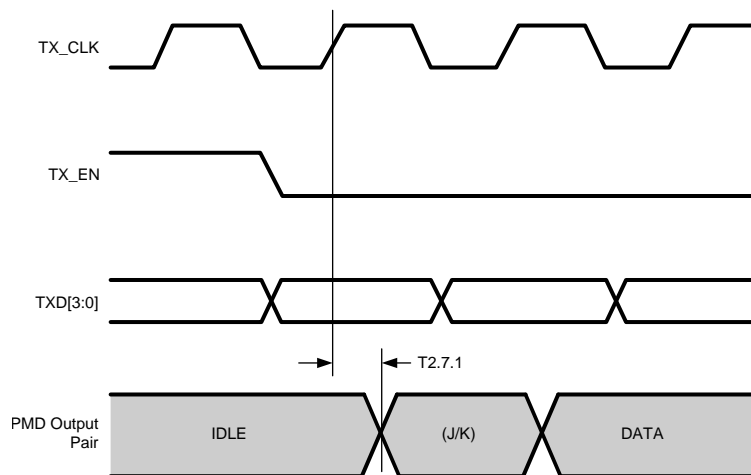
- (1) For Normal mode, latency is determined by measuring the time from the first rising edge of TX_CLK occurring after the assertion of TX_EN to the first bit of the “J” code group as output from the PMD Output Pair. 1 bit time = 10 ns in 100 Mb/s mode.
- (2) Enabling PHY Control Frames will add latency equal to 8 bits times the PCF_BUF_SIZE setting. For example if PCF_BUF_SIZE is set to 15, then the additional delay will be 15*8 = 120 bits.



4.11 AC Specifications — 100BASE-TX and 100BASE-FX MII Transmit Packet Deassertion Timing

| Parameter | Description | Notes | Min | Typ | Max | Units |
|-----------|--|---------------------------------|-----|-----|-----|-------|
| T2.7.1 | TX_CLK to PMD Output Pair Deassertion ⁽¹⁾ | 100BASE-TX and 100BASE-FX modes | | 5 | | bits |

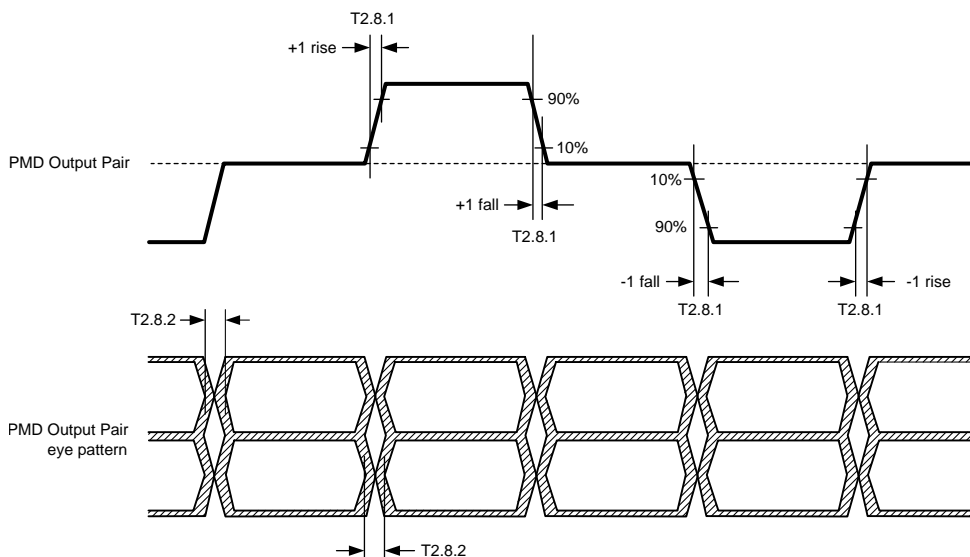
- (1) Deassertion is determined by measuring the time from the first rising edge of TX_CLK occurring after the deassertion of TX_EN to the first bit of the “T” code group as output from the PMD Output Pair. 1 bit time = 10 ns in 100 Mb/s mode.



4.12 AC Specifications — 100BASE-TX Transmit Timing ($t_{R/F}$ & Jitter)

| Parameter | Description | Notes | Min | Typ | Max | Units |
|-----------|---|-------|-----|-----|-----|-------|
| T2.8.1 | 100 Mb/s PMD Output Pair t_R and t_F ⁽¹⁾ | | 3 | 4 | 5 | ns |
| | 100 Mb/s t_R and t_F Mismatch ⁽²⁾ | | | | 500 | ps |
| T2.8.2 | 100 Mb/s PMD Output Pair Transmit Jitter | | | | 1.4 | ns |

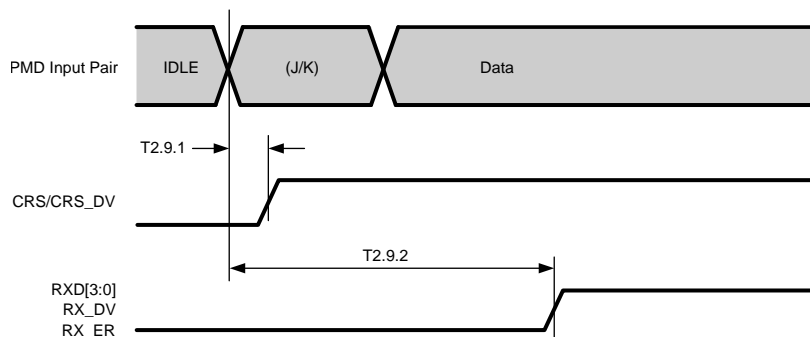
- (1) Rise and fall times taken at 10% and 90% of the +1 or -1 amplitude.
- (2) Normal Mismatch is the difference between the maximum and minimum of all rise and fall times.



4.13 AC Specifications — 100BASE-TX and 100BASE-FX MII Receive Packet Latency Timing

| Parameter | Description | Notes | Min | Typ | Max | Units |
|-----------|--|------------------------------------|-----|----------|-----|-------|
| T2.9.1 | Carrier Sense ON Delay ⁽¹⁾⁽²⁾ | 100BASE-TX mode 100BASE-FX mode | | 20 10 | | bits |
| T2.9.2 | Receive Data Latency ⁽³⁾⁽⁴⁾ | 100BASE-TX mode 100BASE-FX mode | | 24 14 | | bits |

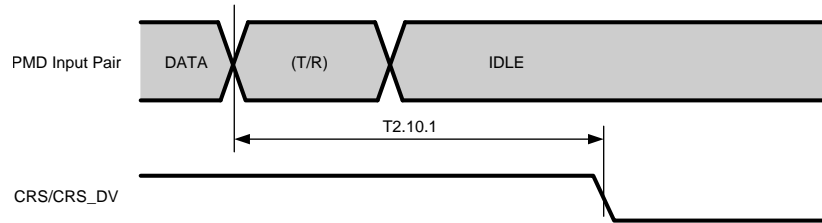
- (1) Carrier Sense On Delay is determined by measuring the time from the first bit of the “J” code group to the assertion of Carrier Sense.
- (2) 1 bit time = 10 ns in 100 Mb/s mode.
- (3) Enabling IEEE 1588 Receive Timestamp insertion will increase the Receive Data Latency by 40 bit times.
- (4) Enabling PHY Status Frames will introduce variability in Receive Data Latency due to insertion of PHY Status Frames into the receive datapath.



4.14 AC Specifications — 100BASE-TX and 100BASE-FX MII Receive Packet Deassertion Timing

| Parameter | Description | Notes | Min | Typ | Max | Units |
|-----------|---|------------------------------------|-----|----------|-----|-------|
| T2.10.1 | Carrier Sense OFF Delay ⁽¹⁾⁽²⁾ | 100BASE-TX mode 100BASE-FX mode | | 24 14 | | bits |

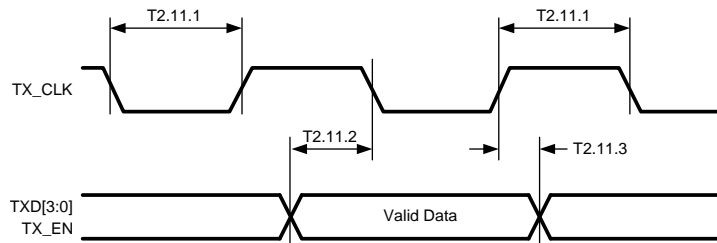
- (1) Carrier Sense Off Delay is determined by measuring the time from the first bit of the “T” code group to the deassertion of Carrier Sense
- (2) 1 bit time = 10 ns in 100 Mb/s mode.



4.15 AC Specifications — 10 Mb/s MII Transmit Timing

| Parameter | Description | Notes | Min | Typ | Max | Units |
|-----------|--|------------------|-----|-----|-----|-------|
| T2.11.1 | TX_CLK High/Low Time | 10 Mb/s MII mode | 190 | 200 | 210 | ns |
| T2.11.2 | TXD[3:0], TX_EN Data Setup to TX_CLK falling edge ⁽¹⁾ | 10 Mb/s MII mode | 25 | | | ns |
| T2.11.3 | TXD[3:0], TX_EN Data Hold from TX_CLK rising edge | 10 Mb/s MII mode | 0 | | | ns |

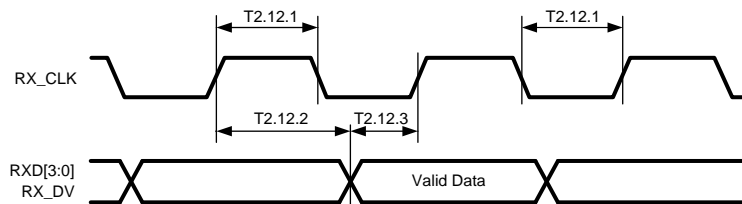
- (1) An attached Mac should drive the transmit signals using the positive edge of TX_CLK. As shown above, the MII signals are sampled on the falling edge of TX_CLK.



4.16 AC Specifications — 10 Mb/s MII Receive Timing

| Parameter | Description | Notes | Min | Typ | Max | Units |
|-----------|--|------------------|-----|-----|-----|-------|
| T2.12.1 | RX_CLK High/Low Time ⁽¹⁾ | | 160 | 200 | 240 | ns |
| T2.12.2 | RXD[3:0], RX_DV transition delay from RX_CLK rising edge | 10 Mb/s MII mode | 100 | | | ns |
| T2.12.3 | RX_CLK rising edge delay from RXD[3:0], RX_DV valid data | 10 Mb/s MII mode | 100 | | | ns |

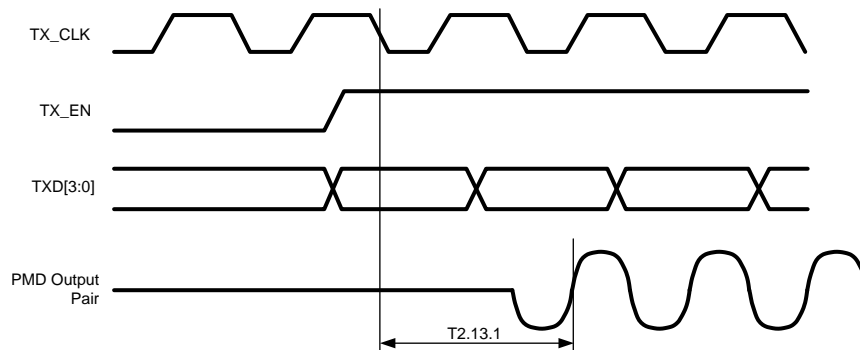
- (1) RX_CLK may be held low for a longer period of time during transition between reference and recovered clocks. Minimum high and low times will not be violated.



4.17 AC Specifications — 10BASE-T MII Transmit Timing (Start of Packet)

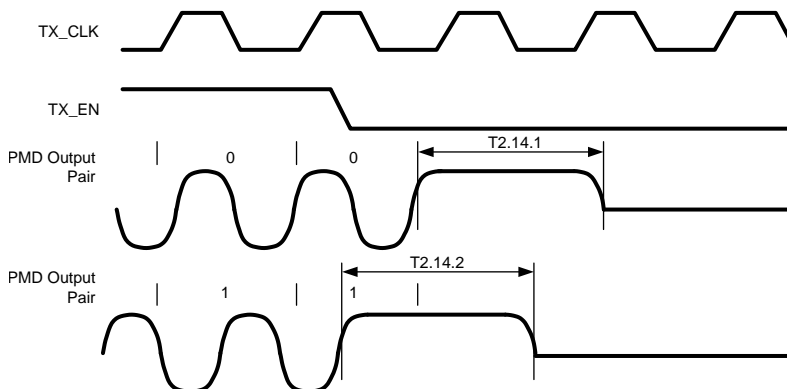
| Parameter | Description | Notes | Min | Typ | Max | Units |
|-----------|--|------------------|-----|-----|-----|-------|
| T2.13.1 | Transmit Output Delay from the Falling Edge of TX_CLK ⁽¹⁾ | 10 Mb/s MII mode | | 3.5 | | bits |

(1) 1 bit time = 100 ns in 10 Mb/s.



4.18 AC Specifications — 10BASE-T MII Transmit Timing (End of Packet)

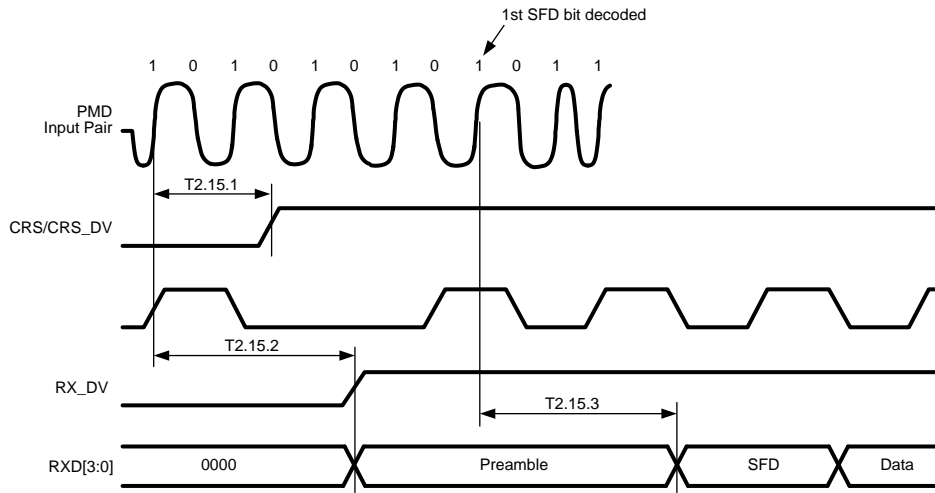
| Parameter | Description | Notes | Min | Typ | Max | Units |
|-----------|---|-------|-----|-----|-----|-------|
| T2.14.1 | End of Packet High Time (with '0' ending bit) | | 250 | 300 | | ns |
| T2.14.2 | End of Packet High Time (with '1' ending bit) | | 250 | 300 | | ns |



4.19 AC Specifications — 10BASE-T MII Receive Timing (Start of Packet)

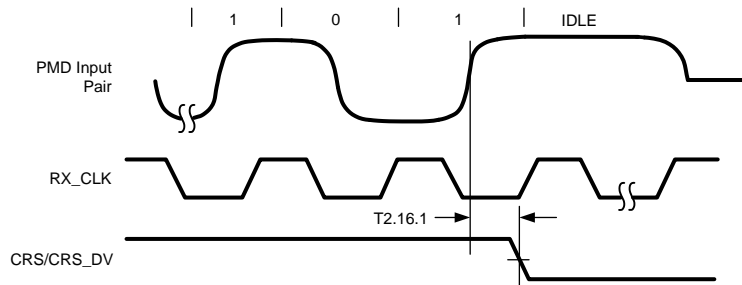
| Parameter | Description | Notes | Min | Typ | Max | Units |
|-----------|---|----------------------------|-----|-----|------|-------|
| T2.15.1 | Carrier Sense Turn On Delay (PMD Input Pair to CRS) | | | 630 | 1000 | ns |
| T2.15.2 | RX_DV Latency ⁽¹⁾ | | | 10 | | bits |
| T2.15.3 | Receive Data Latency ⁽²⁾ | Measurement shown from SFD | | 8 | | bits |

- (1) 10BASE-T RX_DV Latency is measured from first bit of preamble on the wire to the assertion of RX_DV
- (2) 1 bit time = 100 ns in 10 Mb/s mode.



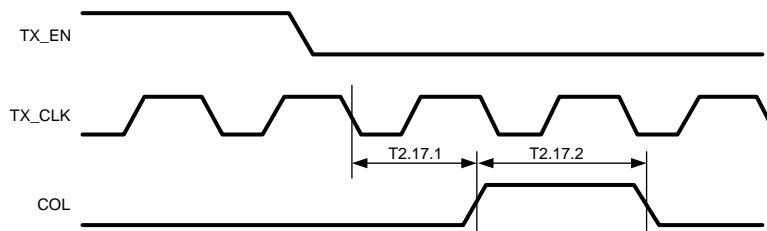
4.20 AC Specifications — 10BASE-T MII Receive Timing (End of Packet)

| Parameter | Description | Notes | Min | Typ | Max | Units |
|-----------|------------------------------|-------|-----|-----|-----|-------|
| T2.16.1 | Carrier Sense Turn Off Delay | | | | 1.0 | μs |



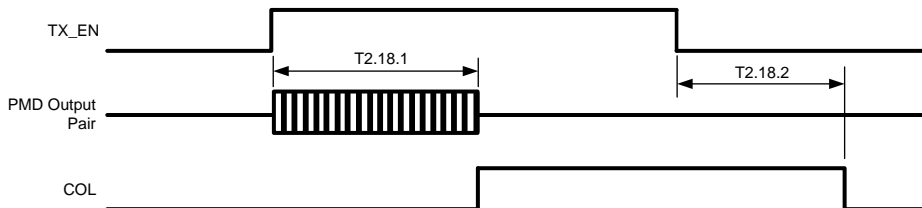
4.21 AC Specifications — 10 Mb/s Heartbeat Timing

| Parameter | Description | Notes | Min | Typ | Max | Units |
|-----------|-----------------------|-------------------|-----|------|-----|-------|
| T2.17.1 | CD Heartbeat Delay | All 10 Mb/s modes | | 1200 | | ns |
| T2.17.2 | CD Heartbeat Duration | All 10 Mb/s modes | | 1000 | | ns |



4.22 AC Specifications — 10 Mb/s Jabber Timing

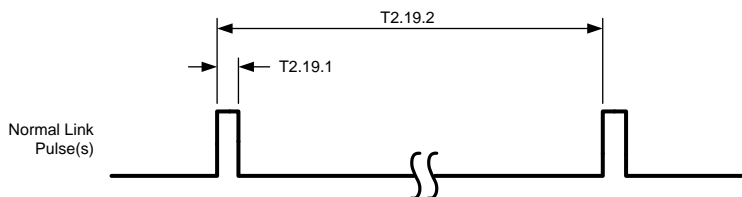
| Parameter | Description | Notes | Min | Typ | Max | Units |
|-----------|--------------------------|-------|-----|-----|-----|-------|
| T2.18.1 | Jabber Activation Time | | | 85 | | ms |
| T2.18.2 | Jabber Deactivation Time | | | 500 | | ms |



4.23 AC Specifications — 10BASE-T Normal Link Pulse Timing

| Parameter | Description | Notes | Min | Typ ⁽¹⁾ | Max | Units |
|-----------|--------------|-------|-----|--------------------|-----|-------|
| T2.19.1 | Pulse Width | | | 100 | | ns |
| T2.19.2 | Pulse Period | | | 16 | | ms |

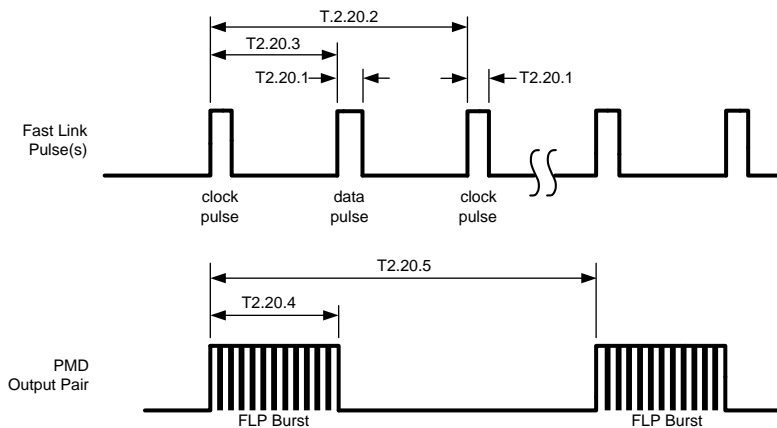
(1) These specifications represent transmit timings.



4.24 AC Specifications — Auto-Negotiation Fast Link Pulse (FLP) Timing

| Parameter | Description | Notes | Min | Typ ⁽¹⁾ | Max | Units |
|-----------|-----------------------------------|----------|-----|--------------------|-----|-------|
| T2.20.1 | Clock, Data Pulse Width | | | 100 | | ns |
| T2.20.2 | Clock Pulse to Clock Pulse Period | | | 125 | | μs |
| T2.20.3 | Clock Pulse to Data Pulse Period | Data = 1 | | 62 | | μs |
| T2.20.4 | Burst Width | | | 2 | | ms |
| T2.20.5 | FLP Burst to FLP Burst Period | | | 16 | | ms |

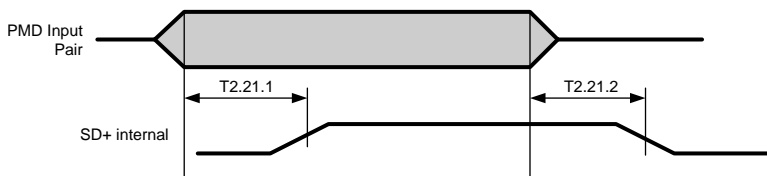
(1) These specifications represent transmit timings.



4.25 AC Specifications — 100BASE-TX Signal Detect Timing

| Parameter | Description | Notes | Min | Typ | Max | Units |
|-----------|---------------------------|--|-----|------------|-----|--------------------|
| T2.21.1 | SD Internal Turn-on Time | | | | 1 | ms |
| T2.21.2 | SD Internal Turn-off Time | Default operation ⁽¹⁾ Fast link-loss indication enabled ⁽²⁾ | | 250 1.3 | 300 | μ s μ s |

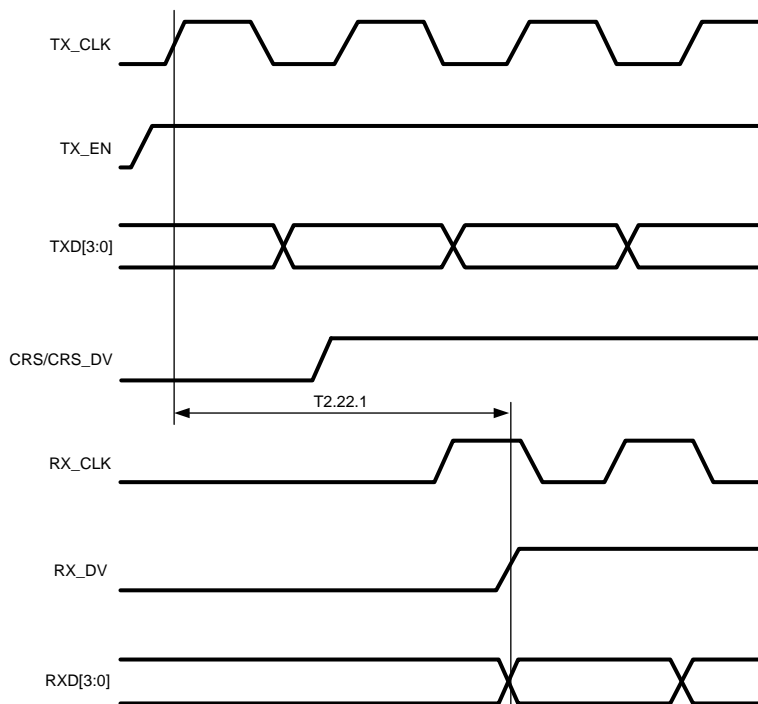
- (1) The signal amplitude on PMD Input Pair must be TP-PMD compliant.
- (2) Fast Link-loss detect is enabled by setting the SD_CNFG[8] register bit to a 1.



4.26 AC Specifications — 100 Mb/s Internal Loopback Timing

| Parameter | Description | Notes | Min | Typ | Max | Units |
|-----------|---|---------------------------------|-----|-----|-----|-------|
| T2.22.1 | TX_EN to RX_DV Loopback ⁽¹⁾⁽²⁾ | 100 Mb/s internal loopback mode | | | 240 | ns |

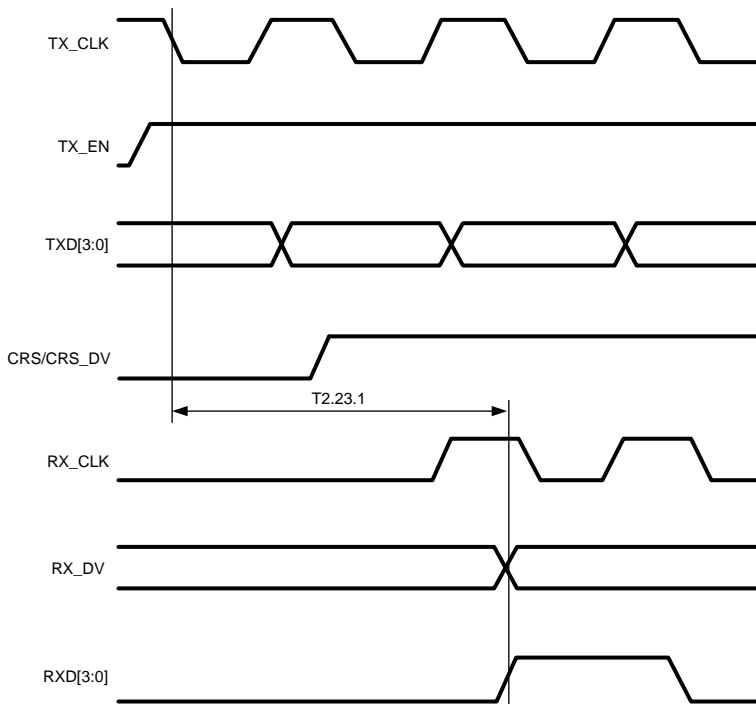
- (1) Due to the nature of the descrambler function, all 100BASE-TX Loopback modes will cause an initial “dead-time” of up to 550 μ s during which time no data will be present at the receive MII outputs. The 100BASE-TX timing specified is based on device delays after the initial 550 μ s “dead-time”.
- (2) Measurement is made from the first rising edge of TX_CLK after assertion of TX_EN.



4.27 AC Specifications — 10 Mb/s Internal Loopback Timing

| Parameter | Description | Notes | Min | Typ | Max | Units |
|-----------|--|--------------------------------|-----|-----|-----|-------|
| T2.23.1 | TX_EN to RX_DV Loopback ⁽¹⁾ | 10 Mb/s internal loopback mode | | | 2 | μs |

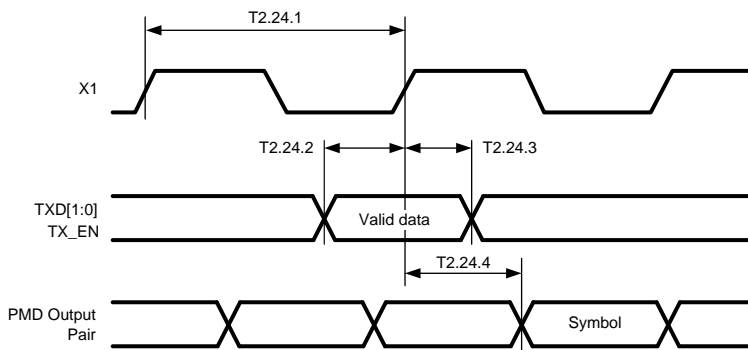
(1) Measurement is made from the first falling edge of TX_CLK after assertion of TX_EN.



4.28 AC Specifications — RMII Transmit Timing (Slave Mode)

| Parameter | Description | Notes | Min | Typ | Max | Units |
|-----------|---|--------------------------|-----|-----|-----|-------|
| T2.24.1 | X1 Clock Period | 50 MHz Reference Clock | | 20 | | ns |
| T2.24.2 | TXD[1:0], TX_EN, Data Setup to X1 rising edge | | 4 | | | ns |
| T2.24.3 | TXD[1:0], TX_EN, Data Hold from X1 rising edge | | 2 | | | ns |
| T2.24.4 | X1 Clock to PMD Output Pair Latency (100 Mb) ⁽¹⁾ | 100BASE-TX or 100BASE-FX | | 11 | | bits |

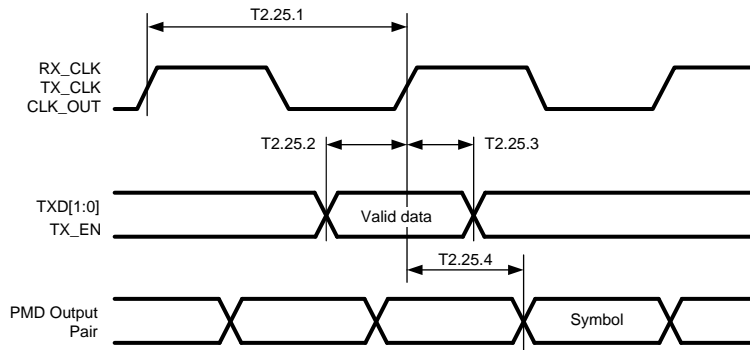
(1) Latency measurement is made from the X1 rising edge to the first bit of symbol.



4.29 AC Specifications — RMII Transmit Timing (Master Mode)

| Parameter | Description | Notes | Min | Typ | Max | Units |
|-----------|--|--|-----|-----|-----|-------|
| T2.25.1 | RX_CLK, TX_CLK, CLK_OUT Period | 50 MHz Reference Clock | | 20 | | ns |
| T2.25.2 | TXD[1:0], TX_EN Data Setup to RX_CLK, TX_CLK, CLK_OUT rising edge | | 4 | | | ns |
| T2.25.3 | TXD[1:0], TX_EN Data Hold from RX_CLK, TX_CLK, CLK_OUT rising edge | | 2 | | | ns |
| T2.25.4 | RX_CLK, TX_CLK, CLK_OUT to PMD Output Pair Latency ⁽¹⁾ | From RX_CLK rising edge to first bit of symbol | | 11 | | bits |

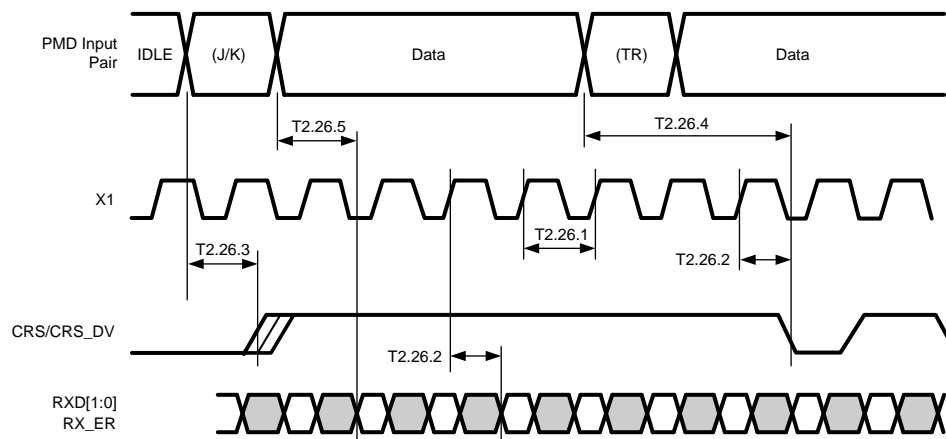
(1) Latency measurement is made from the RX_CLK rising edge to the first bit of symbol.



4.30 AC Specifications — RMII Receive Timing (Slave Mode)

| Parameter | Description | Notes | Min | Typ | Max | Units |
|-----------|--|------------------------------------|-----|-----------|-----|-------|
| T2.26.1 | X1 Clock Period | 50 MHz Reference Clock | | 20 | | ns |
| T2.26.2 | RXD[1:0], CRS_DV, and RX_ER output delay from X1 rising edge ⁽¹⁾⁽²⁾ | | 2 | | 14 | ns |
| T2.26.3 | CRS ON delay ⁽³⁾ | 100BASE-TX mode 100BASE-FX mode | | 18.5 9 | | bits |
| T2.26.4 | CRS OFF delay ⁽⁴⁾ | 100BASE-TX mode 100BASE-FX mode | | 27 17 | | bits |
| T2.26.5 | RXD[1:0] and RX_ER latency ⁽⁵⁾⁽⁶⁾⁽⁷⁾ | 100BASE-TX mode 100BASE-FX mode | | 38 27 | | bits |

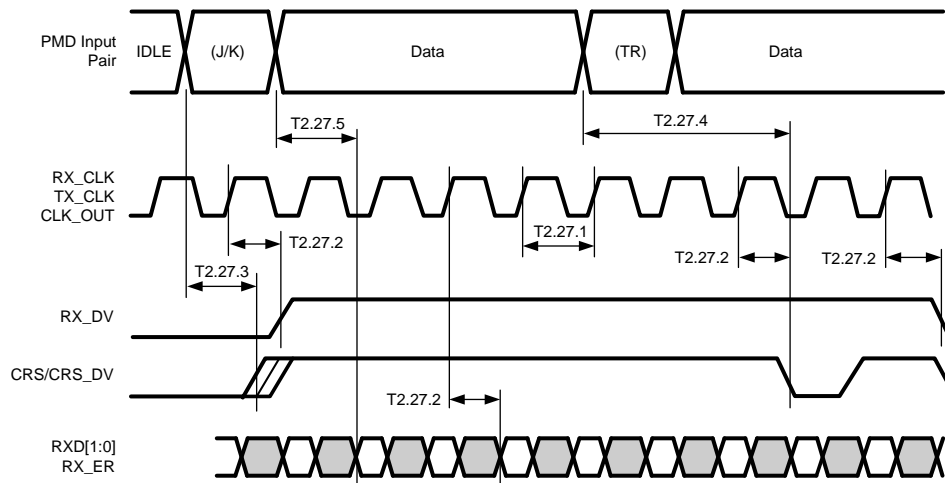
- (1) Per the RMII Specification, output delays assume a 25 pF load.
- (2) CRS_DV is asserted asynchronously in order to minimize latency of control signals through the PHY. CRS_DV may toggle synchronously at the end of the packet to indicate CRS de-assertion.
- (3) CRS ON delay is measured from the first bit of the JK symbol on the PMD Input Pair to initial assertion of CRS_DV.
- (4) CRS OFF delay is measured from the first bit of the TR symbol on the PMD Input Pair to initial de-assertion of CRS_DV.
- (5) Receive Latency is measured from the first bit of the symbol pair on the PMD Input Pair. Typical values are with the Elasticity Buffer set to the default value (01).
- (6) Enabling IEEE 1588 Receive Timestamp insertion will increase the Receive Data Latency by 40 bit times.
- (7) Enabling PHY Status Frames will introduce variability in Receive Data Latency due to insertion of PHY Status Frames into the receive datapath.



4.31 AC Specifications — RMII Receive Timing (Master Mode)

| Parameter | Description | Notes | Min | Typ | Max | Units |
|-----------|---|------------------------------------|-----|-----------|-----|-------|
| T2.27.1 | RX_CLK, TX_CLK, CLK_OUT Clock Period | 50 MHz Reference Clock | | 20 | | ns |
| T2.27.2 | RXD[1:0], CRS_DV, RX_DV and RX_ER output delay from RX_CLK, TX_CLK, CLK_OUT rising edge ⁽¹⁾⁽²⁾ | | 2 | | 14 | ns |
| T2.27.3 | CRS ON delay ⁽³⁾ | 100BASE-TX mode 100BASE-FX mode | | 18.5 9 | | bits |
| T2.27.4 | CRS OFF delay ⁽⁴⁾ | 100BASE-TX mode 100BASE-FX mode | | 27 17 | | bits |
| T2.27.5 | RXD[1:0] and RX_ER latency ⁽⁵⁾ | 100BASE-TX mode 100BASE-FX mode | | 38 27 | | bits |

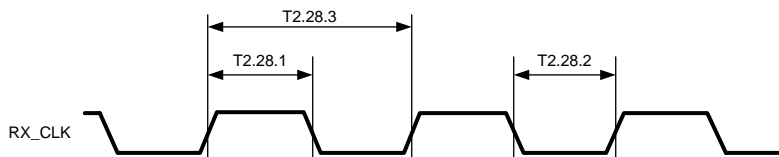
- (1) Per the RMII Specification, output delays assume a 25 pF load.
- (2) CRS_DV is asserted asynchronously in order to minimize latency of control signals through the PHY. CRS_DV may toggle synchronously at the end of the packet to indicate CRS de-assertion.
- (3) CRS ON delay is measured from the first bit of the JK symbol on the PMD Input Pair to initial assertion of CRS_DV.
- (4) CRS OFF delay is measured from the first bit of the TR symbol on the PMD Input Pair to initial de-assertion of CRS_DV.
- (5) Receive Latency is measured from the first bit of the symbol pair on the PMD Input Pair. Typical values are with the Elasticity Buffer set to the default value (01).



4.32 AC Specifications — RX_CLK Timing (RMII Master Mode)

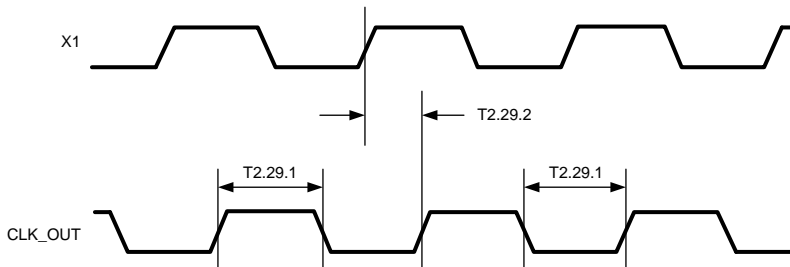
| Parameter | Description | Notes | Min | Typ | Max | Units |
|-----------|------------------------------|-------|-----|-----|-----|-------|
| T2.28.1 | RX_CLK High Time | | | 12 | | ns |
| T2.28.2 | RX_CLK Low Time | | | 8 | | ns |
| T2.28.3 | RX_CLK Period ⁽¹⁾ | | | 20 | | ns |

- (1) The High Time and Low Time will add up to 20 ns.



4.33 AC Specifications — CLK_OUT Timing (RMII Slave Mode)

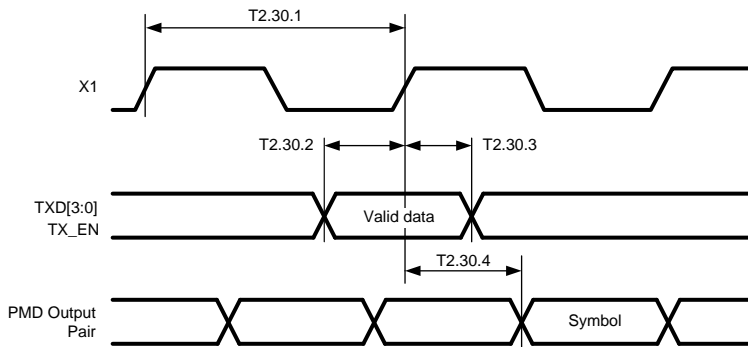
| Parameter | Description | Notes | Min | Typ | Max | Units |
|-----------|---------------------------|----------------|-----|-----|-----|-------|
| T2.29.1 | CLK_OUT High/Low Time | | | 10 | | ns |
| T2.29.2 | CLK_OUT propagation delay | Relative to X1 | | | 8 | ns |



4.34 AC Specifications — Single Clock MII (SCMII) Transmit Timing

| Parameter | Description | Notes | Min | Typ | Max | Units |
|-----------|---|--------------------------|-----|-----|-----|-------|
| T2.30.1 | X1 Clock Period | 25 MHz Reference Clock | | 40 | | ns |
| T2.30.2 | TXD[3:0], TX_EN Data Setup | To X1 rising edge | 4 | | | ns |
| T2.30.3 | TXD[3:0], TX_EN Data Hold | From X1 rising edge | 2 | | | ns |
| T2.30.4 | X1 Clock to PMD Output Pair Latency (100 Mb) ⁽¹⁾ | 100BASE-TX or 100BASE-FX | | 13 | | bits |

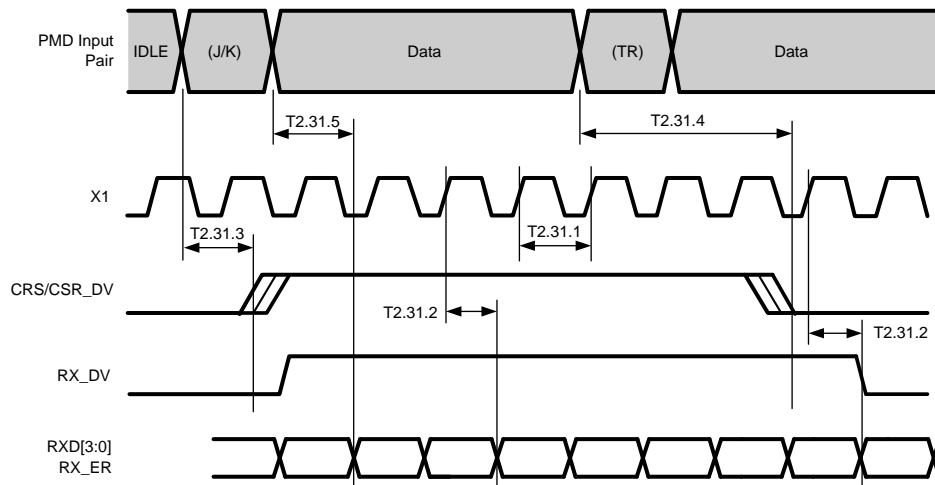
(1) Latency measurement is made from the X1 rising edge to the first bit of symbol.



4.35 AC Specifications — Single Clock MII (SCMII) Receive Timing

| Parameter | Description | Notes | Min | Typ | Max | Units |
|-----------|---|------------------------------------|-----|----------|-----|-------|
| T2.31.1 | X1 Clock Period | 25 MHz Reference Clock | | 40 | | ns |
| T2.31.2 | RXD[3:0], RX_DV and RX_ER output delay ⁽¹⁾ | From X1 rising edge | 2 | | 18 | ns |
| T2.31.3 | CRS ON delay ⁽²⁾⁽³⁾ | 100BASE-TX mode 100BASE-FX mode | | 19 9 | | bits |
| T2.31.4 | CRS OFF delay ⁽²⁾⁽⁴⁾ | 100BASE-TX mode 100BASE-FX mode | | 26 16 | | bits |
| T2.31.5 | RXD[3:0] and RX_ER latency ⁽⁵⁾ | 100BASE-TX mode 100BASE-FX mode | | 56 46 | | bits |

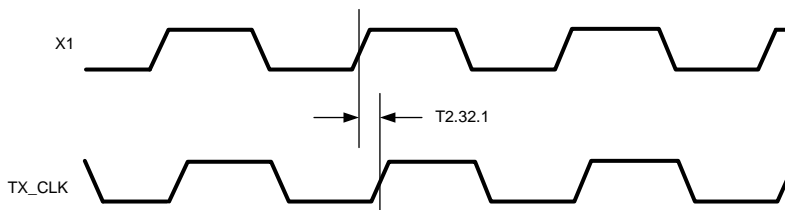
- (1) Output delays assume a 25 pF load.
- (2) CRS is asserted and de-asserted asynchronously relative to the reference clock.
- (3) CRS ON delay is measured from the first bit of the JK symbol on the PMD Input Pair to assertion of CRS_DV.
- (4) CRS OFF delay is measured from the first bit of the TR symbol on the PMD Input Pair to de-assertion of CRS_DV.
- (5) Receive Latency is measured from the first bit of the symbol pair on the PMD Input Pair. Typical values are with the Elasticity Buffer set to the default value (01).



4.36 AC Specifications — 100 Mb/s X1 to TX_CLK Timing

| Parameter | Description | Notes | Min | Typ | Max | Units |
|-----------|-----------------------------------|----------------------|-----|-----|-----|-------|
| T2.32.1 | X1 to TX_CLK delay ⁽¹⁾ | 100 Mb/s Normal mode | 0 | | 5 | ns |

- (1) X1 to TX_CLK timing is provided to support devices that use X1 instead of TX_CLK as the reference for transmit MII data.



5 Configuration

This section includes information on the various configuration options available with the DP83630. The configuration options described below include:

- Media Configuration
- Auto-Negotiation
- PHY Address and LEDs
- Half Duplex vs. Full Duplex
- Isolate mode
- Loopback mode
- BIST

5.1 MEDIA CONFIGURATION

The DP83630 supports both Twister Pair (100BASE-TX and 10BASE-T) and Fiber (100BASE-FX) media. The port may be configured for Twisted Pair (TP) or Fiber (FX) operation by strap option or by register access.

At power-up/reset, the state of the RX_ER pin will select the media for the port. The default selection is twisted pair mode, while an external pull-down will select FX mode of operation. Strapping the port into FX mode also automatically sets the Far-End Fault Enable, bit 3 of PCSR (16h), the Scramble Bypass, bit 1 of PCSR (16h) and the Descrambler Bypass, bit 0 of PCSR (16h). In addition, the media selection may be controlled by writing to bit 6, FX_EN, of PCSR (16h).

5.2 AUTO-NEGOTIATION

The Auto-Negotiation function provides a mechanism for exchanging configuration information between two ends of a link segment and automatically selecting the highest performance mode of operation supported by both devices. Fast Link Pulse (FLP) Bursts provide the signalling used to communicate Auto-Negotiation abilities between two devices at each end of a link segment. For further detail regarding Auto-Negotiation, refer to Clause 28 of the IEEE 802.3u specification. The DP83630 supports four different Ethernet protocols (10 Mb/s Half Duplex, 10 Mb/s Full Duplex, 100 Mb/s Half Duplex, and 100 Mb/s Full Duplex), so the inclusion of Auto-Negotiation ensures that the highest performance protocol will be selected based on the advertised ability of the Link Partner. The Auto-Negotiation function within the DP83630 can be controlled either by internal register access or by the use of the AN_EN, AN1 and AN0 pins.

5.2.1 Auto-Negotiation Pin Control

The state of AN_EN, AN0 and AN1 determines whether the DP83630 is forced into a specific mode or Auto-Negotiation will advertise a specific ability (or set of abilities) as given in [Table 5-1](#). These pins allow configuration options to be selected without requiring internal register access.

The state of AN_EN, AN0 and AN1, upon power-up/reset, determines the state of bits [8:5] of the ANAR register.

The Auto-Negotiation function selected at power-up or reset can be changed at any time by writing to the Basic Mode Control Register (BMCR) at address 00h.

Table 5-1. Auto-Negotiation Modes

| AN_EN | AN1 | AN0 | Forced Mode |
|-------|-----|-----|------------------------------|
| 0 | 0 | 0 | 10BASE-T, Half-Duplex |
| 0 | 0 | 1 | 10BASE-T, Full-Duplex |
| 0 | 1 | 0 | 100BASE-TX, Half-Duplex |
| 0 | 1 | 1 | 100BASE-TX, Full-Duplex |
| AN_EN | AN1 | AN0 | Advertised Mode |
| 1 | 0 | 0 | 10BASE-T, Half/Full-Duplex |
| 1 | 0 | 1 | 100BASE-TX, Half/Full-Duplex |
| 1 | 1 | 0 | 100BASE-TX Full-Duplex |
| 1 | 1 | 1 | 10BASE-T, Half/Full-Duplex |
| | | | 100BASE-TX, Half/Full-Duplex |

5.2.2 Auto-Negotiation Register Control

When Auto-Negotiation is enabled, the DP83630 transmits the abilities programmed into the Auto-Negotiation Advertisement register (ANAR) at address 04h via FLP Bursts. Any combination of 10 Mb/s, 100 Mb/s, Half-Duplex, and Full Duplex modes may be selected.

Auto-Negotiation Priority Resolution:

1. 100BASE-TX Full Duplex (Highest Priority)
2. 100BASE-TX Half Duplex
3. 10BASE-T Full Duplex
4. 10BASE-T Half Duplex (Lowest Priority)

The Basic Mode Control Register (BMCR) at address 00h provides control for enabling, disabling, and restarting the Auto-Negotiation process. When Auto-Negotiation is disabled, the SPEED SELECTION bit in the BMCR controls switching between 10 Mb/s or 100 Mb/s operation, and the DUPLEX MODE bit controls switching between full duplex operation and half duplex operation. The SPEED SELECTION and DUPLEX MODE bits have no effect on the mode of operation when the Auto-Negotiation Enable bit is set.

The Link Speed can be examined through the PHY Status Register (PHYSTS) at address 10h after a Link is achieved.

The Basic Mode Status Register (BMSR) indicates the set of available abilities for technology types, Auto-Negotiation ability, and Extended Register Capability. These bits are permanently set to indicate the full functionality of the DP83630 (only the 100BASE-T4 bit is not set since the DP83630 does not support that function).

The BMSR also provides status on:

- Whether or not Auto-Negotiation is complete
- Whether or not the Link Partner is advertising that a remote fault has occurred
- Whether or not valid link has been established
- Support for Management Frame Preamble suppression

The Auto-Negotiation Advertisement Register (ANAR) indicates the Auto-Negotiation abilities to be advertised by the DP83630. All available abilities are transmitted by default, but any ability can be suppressed by writing to the ANAR. Updating the ANAR to suppress an ability is one way for a management agent to change (restrict) the technology that is used.

The Auto-Negotiation Link Partner Ability Register (ANLPAR) at address 05h is used to receive the base link code word as well as all next page code words during the negotiation. Furthermore, the ANLPAR will be updated to either 0081h or 0021h for parallel detection to either 100 Mb/s or 10 Mb/s respectively.

The Auto-Negotiation Expansion Register (ANER) indicates additional Auto-Negotiation status. The ANER provides status on:

- Whether or not a Parallel Detect Fault has occurred
- Whether or not the Link Partner supports the Next Page function
- Whether or not the DP83630 supports the Next Page function
- Whether or not the current page being exchanged by Auto-Negotiation has been received
- Whether or not the Link Partner supports Auto-Negotiation

5.2.3 Auto-Negotiation Parallel Detection

The DP83630 supports the Parallel Detection function as defined in the IEEE 802.3u specification. Parallel Detection requires both the 10 Mb/s and 100 Mb/s receivers to monitor the receive signal and report link status to the Auto-Negotiation function. Auto-Negotiation uses this information to configure the correct technology in the event that the Link Partner does not support Auto-Negotiation but is transmitting link signals that the 100BASE-TX or 10BASE-T PMAs recognize as valid link signals.

If the DP83630 completes Auto-Negotiation as a result of Parallel Detection, bits 5 and 7 within the ANLPAR register will be set to reflect the mode of operation present in the Link Partner. Note that bits 4:0 of the ANLPAR will also be set to 00001 based on a successful parallel detection to indicate a valid 802.3 selector field. Software may determine that negotiation completed via Parallel Detection by reading a zero in the Link Partner Auto-Negotiation Able bit once the Auto-Negotiation Complete bit is set. If configured for parallel detect mode and any condition other than a single good link occurs then the parallel detect fault bit will be set.

5.2.4 Auto-Negotiation Restart

Once Auto-Negotiation has completed, it may be restarted at any time by setting bit 9 (Restart Auto-Negotiation) of the BMCR to one. If the mode configured by a successful Auto-Negotiation loses a valid link, then the Auto-Negotiation process will resume and attempt to determine the configuration for the link. This function ensures that a valid configuration is maintained if the cable becomes disconnected.

A renegotiation request from any entity, such as a management agent, will cause the DP83630 to halt any transmit data and link pulse activity until the `break_link_timer` expires (~1500 ms). Consequently, the Link Partner will go into link fail and normal Auto-Negotiation resumes. The DP83630 will resume Auto-Negotiation after the `break_link_timer` has expired by issuing FLP (Fast Link Pulse) bursts.

5.2.5 Enabling Auto-Negotiation via Software

It is important to note that if the DP83630 has been initialized upon power-up as a non-auto-negotiating device (forced technology), and it is then required that Auto-Negotiation or re-Auto-Negotiation be initiated via software, bit 12 (Auto-Negotiation Enable) of the Basic Mode Control Register (BMCR) must first be cleared and then set for any Auto-Negotiation function to take effect.

5.2.6 Auto-Negotiation Complete Time

Parallel detection and Auto-Negotiation take approximately 2-3 seconds to complete. In addition, Auto-Negotiation with next page should take approximately 2-3 seconds to complete, depending on the number of next pages sent.

Refer to Clause 28 of the IEEE 802.3u standard for a full description of the individual timers related to Auto-Negotiation.

5.3 AUTO-MDIX

When enabled, this function utilizes Auto-Negotiation to determine the proper configuration for transmission and reception of data and subsequently selects the appropriate MDI pair for MDI/MDIX operation. The function uses a random seed to control switching of the crossover circuitry. This implementation complies with the corresponding IEEE 802.3 Auto-Negotiation and Crossover Specifications.

Auto-MDIX is enabled by default and can be configured via PHYCR (19h) register, bits [15:14].

Neither Auto-Negotiation nor Auto-MDIX is required to be enabled in forcing crossover of the MDI pairs. Forced crossover can be achieved through the FORCE_MDIX bit, bit 14 of PHYCR (19h) register.

5.4 AUTO-CROSSOVER IN FORCED MODE

When enabled, this function operates in a manner similar to Auto-MDIX. If no link activity is seen, switching of the crossover circuitry is based on a random seed. Valid link activity can be link pulses (Auto-Negotiation link pulse or 10M link pulses) or 100M signaling. Once valid link activity is seen, crossover will stop to allow the receive and link functions will proceed normally.

Auto-crossover in forced mode allows for shorter link times because it does not require potentially lengthy Auto-Negotiation transactions prior to link establishment. Link establishment via Auto-crossover can be accomplished in full or half duplex configuration, but both sides of the link must be forced to the same duplex configuration.

Auto-crossover in forced mode is disabled by default and must be configured via PCSR (16h) register, bit 15.

Forced crossover can be achieved while Auto-crossover is enabled through the FORCE_MDIX bit, bit 14 of PHYCR (19h) register.

NOTE: Auto-MDIX and Auto-crossover in forced mode are mutually exclusive and should not be enabled concurrently. Prior to enabling Auto-crossover in forced mode, Auto-Negotiation and Auto-MDIX should be disabled.

5.5 PHY ADDRESS

The five PHY address strapping pins are shared with the RXD[3:0] pins and COL pin as shown below.

Table 5-2. PHY Address Mapping

| Pin # | PHYAD Function | RXD Function |
|-------|----------------|--------------|
| 42 | PHYAD0 | COL |
| 43 | PHYAD1 | RXD_3 |
| 44 | PHYAD2 | RXD_2 |
| 45 | PHYAD3 | RXD_1 |
| 46 | PHYAD4 | RXD_0 |

The DP83630 can be set to respond to any of 32 possible PHY addresses via strap pins. The information is latched into the PHYCR register (address 19h, bits [4:0]) at device power-up and hardware reset. Each DP83630 or port sharing an MDIO bus in a system must have a unique physical address.

The DP83630 supports PHY Address strapping values 0 (<00000>) through 31 (<11111>). **Strapping PHY Address 0 puts the part into Isolate Mode.** It should also be noted that selecting PHY Address 0 via an MDIO write to PHYCR will not put the device in Isolate Mode. See [Mill Isolate Mode](#) for more information.

For further detail relating to the latch-in timing requirements of the PHY Address pins, as well as the other hardware configuration pins, refer to the Reset summary in [Reset Operation](#).

Since the PHYAD[0] pin has weak internal pull-up resistor and PHYAD[4:1] pins have weak internal pull-down resistors, the default setting for the PHY address is 00001 (01h).

Refer to [Figure 5-1](#) for an example of a PHYAD connection to external components. In this example, the PHYAD strapping results in address 00011 (03h).

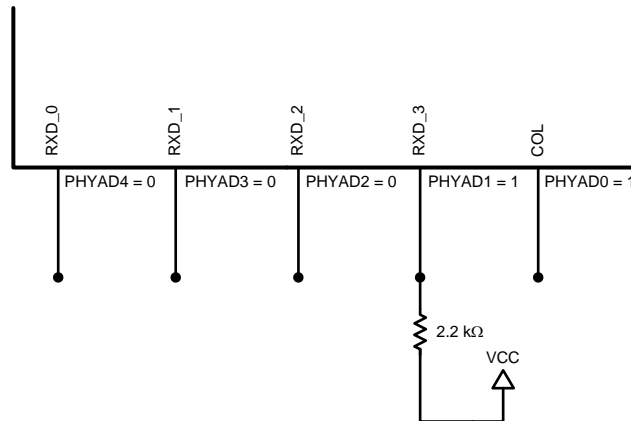


Figure 5-1. PHYAD Strapping Example

5.5.1 MII Isolate Mode

It is recommended that the user have a basic understanding of Clause 22 of the 802.3u standard.

The DP83630 can be put into MII Isolate Mode by writing a 1 to bit 10 of the BMCR register. Strapping the PHY Address to 0 will force the device into Isolate Mode when powered up. It should be noted that selecting Physical Address 0 via an MDIO write to PHYCR will not put the device in the MII isolate mode.

When in the MII Isolate Mode, the DP83630 does not respond to packet data present at TXD[3:0] and TX_EN inputs and presents a high impedance on the TX_CLK, RX_CLK, RX_DV, RX_ER, RXD[3:0], COL, and CRS/CRS_DV outputs. When in Isolate Mode, the DP83630 will continue to respond to all serial management transactions over the MII.

While in Isolate Mode, the PMD output pair will not transmit packet data but will continue to source 100BASE-TX scrambled idles or 10BASE-T normal link pulses.

The DP83630 can Auto-Negotiate or parallel detect to a specific technology depending on the receive signal at the PMD input pair. A valid link can be established for the receiver even when the DP83630 is in Isolate Mode.

5.5.2 Broadcast Mode

The DP83630 is also capable of accepting broadcast messages (register writes to PHY address 0x1F). Setting the BC_WRITE to 1, bit 11 of the PHY Control Register 2 (PHYCR2) at address 0x1C, will configure the device to accept broadcast messages independent of the local PHY Address value.

5.6 LED INTERFACE

The DP83630 supports three configurable Light Emitting Diode (LED) pins: LED_LINK, LED_SPEED/FX_SD, and LED_ACT.

Several functions can be multiplexed onto the three LEDs using three different modes of operation. The LED operation mode can be selected by writing to the LED_CFG[1:0] register bits in the PHY Control Register (PHYCR) at address 19h, bits [6:5]. LED_CFG[1] is only controllable through register access and cannot be set by a strap pin.

See [Table 5-3](#) for LED Mode selection.

Table 5-3. LED Mode Selection

| Mode | LED_CFG[1] | LED_CFG[0] | LED_LINK | LED_SPEED | LED_ACT |
|------|------------|------------|--------------------|----------------|----------------------|
| 1 | don't care | 1 | ON for Good Link | ON in 100 Mb/s | ON for Activity |
| | | | OFF for No Link | OFF in 10 Mb/s | OFF for No Activity |
| 2 | 0 | 0 | ON for Good Link | ON in 100 Mb/s | ON for Collision |
| | | | BLINK for Activity | OFF in 10 Mb/s | OFF for No Collision |
| 3 | 1 | 0 | ON for Good Link | ON in 100 Mb/s | ON for Full Duplex |
| | | | BLINK for Activity | OFF in 10 Mb/s | OFF for Half Duplex |

The LED_LINK pin in Mode 1 indicates the link status of the port. In 100BASE-TX mode, link is established as a result of input receive amplitude compliant with the TP-PMD specifications which will result in internal generation of signal detect. A 10 Mb/s Link is established as a result of the reception of at least seven consecutive normal Link Pulses or the reception of a valid 10BASE-T packet. This will cause the assertion of LED_LINK. LED_LINK will deassert in accordance with the Link Loss Timer as specified in the IEEE 802.3 specification. In 100BASE-TX mode, an optional fast link loss detection may be enabled by setting the SD_TIME control in the SD_CNFG register. Enabling fast link loss detection will result in the LED_LINK deassertion within approximately 1.3 μ s of loss of signal on the wire.

The LED_LINK pin in Mode 1 will be OFF when no LINK is present.

The LED_LINK pin in Mode 2 and Mode 3 will be ON to indicate Link is good and BLINK to indicate activity is present on activity. The BLINK frequency is defined in BLINK_FREQ, bits [7:6] of register LEDCR (18h).

Activity is defined as configured in LEDACT_RX, bit 8 of register LEDCR (18h). If LEDACT_RX is 0, Activity is signaled for either transmit or receive. If LEDACT_RX is 1, Activity is only signaled for receive.

The LED_SPEED/FX_SD pin indicates 10 or 100 Mb/s data rate of the port. The standard CMOS driver goes high when operating in 100 Mb/s operation. The functionality of this LED is independent of mode selected.

The LED_ACT pin in Mode 1 indicates the presence of either transmit or receive activity. The LED will be ON for Activity and OFF for No Activity. In Mode 2, this pin indicates the Collision status of the port. The LED will be ON for Collision and OFF for No Collision.

The LED_ACT pin in Mode 3 indicates Duplex status for 10 Mb/s or 100 Mb/s operation. The LED will be ON for Full Duplex and OFF for Half Duplex.

In 10 Mb/s half duplex mode, the collision LED is based on the COL signal.

Since these LED pins are also used as strap options, the polarity of the LED is dependent on whether the pin is pulled up or down.

5.6.1 LEDs

Since the Auto-Negotiation (AN) strap options share the LED output pins, the external components required for strapping and LED usage must be considered in order to avoid contention.

Specifically, when the LED outputs are used to drive LEDs directly, the active state of each output driver is dependent on the logic level sampled by the corresponding AN input upon power-up/reset. For example, if a given AN input is resistively pulled low then the corresponding output will be configured as an active high driver. Conversely, if a given AN input is resistively pulled high, then the corresponding output will be configured as an active low driver.

Refer to [Figure 5-2](#) for an example of AN connections to external components. In this example, the AN strapping results in Auto-Negotiation disabled with 100 Full-Duplex forced.

The adaptive nature of the LED outputs helps to simplify potential implementation issues of these dual purpose pins.

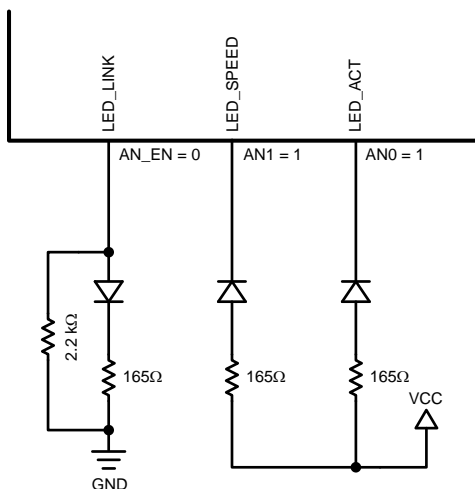


Figure 5-2. AN Strapping and LED Loading Example

5.6.2 LED Direct Control

The DP83630 provides another option to directly control any or all LED outputs through the LED Direct Control Register (LEDCR), address 18h. The register does not provide read access to LEDs.

5.7 HALF DUPLEX vs. FULL DUPLEX

The DP83630 supports both half and full duplex operation at both 10 Mb/s and 100 Mb/s speeds.

Half-duplex relies on the CSMA/CD protocol to handle collisions and network access. In Half-Duplex mode, Carrier Sense (CRS) responds to both transmit and receive activity in order to maintain compliance with the IEEE 802.3 specification.

Since the DP83630 is designed to support simultaneous transmit and receive activity it is capable of supporting full-duplex switched applications with a throughput of up to 200 Mb/s when operating in either 100BASE-TX or 100BASE-FX. Because the CSMA/CD protocol does not apply to full-duplex operation, the DP83630 disables its own internal collision sensing and reporting functions and modifies the behavior of CRS such that it indicates only receive activity. This allows a full-duplex capable MAC to operate properly.

All modes of operation (100BASE-TX, 100BASE-FX, 10BASE-T) can run either half-duplex or full-duplex. Additionally, other than CRS and collision reporting, all remaining MII signaling remains the same regardless of the selected duplex mode.

It is important to understand that while Auto-Negotiation with the use of Fast Link Pulse code words can interpret and configure to full-duplex operation, parallel detection can not recognize the difference between full and half-duplex from a fixed 10 Mb/s or 100 Mb/s link partner over twisted pair. As specified in the 802.3u specification, if a far-end link partner is configured to a forced full-duplex 100BASE-TX ability, the parallel detection state machine in the partner would be unable to detect the full-duplex capability of the far-end link partner. This link segment would negotiate to a half-duplex 100BASE-TX configuration (same scenario for 10 Mb/s).

Auto-Negotiation is not supported in 100BASE-FX operation. Selection of Half or Full-duplex operation is controlled by bit 8 of the Basic Mode Control Register (BMCR), address 00h. If 100BASE-FX mode is strapped using the RX_ER pin, the AN0 strap value is used to set the value of bit 8 of the BMCR (00h) register. Note that the other Auto-Negotiation strap pins (AN_EN and AN1) are ignored in 100BASE-FX mode.

5.8 INTERNAL LOOPBACK

The DP83630 includes a Loopback Test mode for facilitating system diagnostics. The Loopback mode is selected through bit 14 (Loopback) of the Basic Mode Control Register (BMCR). Writing 1 to this bit enables MII transmit data to be routed to the MII receive outputs. Loopback status may be checked in bit 3 of the PHY Status Register (PHYSTS). While in Loopback mode the data will not be transmitted onto the media. To ensure that the desired operating mode is maintained, Auto-Negotiation should be disabled before selecting the Loopback mode.

5.9 POWER DOWN/INTERRUPT

The Power Down and Interrupt functions are multiplexed on pin 7 of the device. By default, this pin functions as a power down input and the interrupt function is disabled. Setting bit 0 (INT_OE) of MICR (11h) will configure the pin as an active low interrupt output.

5.9.1 Power Down Control Mode

The PWRDOWN/INTN pin can be asserted low to put the device in a Power Down mode. This is equivalent to setting bit 11 (POWER DOWN) in the Basic Mode Control Register, BMCR (00h). An external control signal can be used to drive the pin low, overcoming the weak internal pull-up resistor. Alternatively, the device can be configured to initialize into a Power Down state by use of an external pull-down resistor on the PWRDOWN/INTN pin. Since the device will still respond to management register accesses, setting the INT_OE bit in the MICR register will disable the PWRDOWN/INTN input, allowing the device to exit the Power Down state.

5.9.2 Interrupt Mechanisms

The interrupt function is controlled via register access. All interrupt sources are disabled by default. Setting bit 1 (INTEN) of MICR (11h) will enable interrupts to be output, dependent on the interrupt mask set in the lower byte of the MISR (12h). The PWRDOWN/INTN pin is asynchronously asserted low when an interrupt condition occurs. The source of the interrupt can be determined by reading the upper byte of the MISR. One or more bits in the MISR will be set, denoting all currently pending interrupts. Reading of the MISR clears ALL pending interrupts.

Example: To generate an interrupt on a change of link status or on a change of energy detect power state, the steps would be:

- Write 0003h to MICR to set INTEN and INT_OE
- Write 0060h to MISR to set ED_INT_EN and LINK_INT_EN
- Monitor PWRDOWN/INTN pin

When PWRDOWN/INTN pin asserts low, the user would read the MISR register to see if the ED_INT or LINK_INT bits are set, i.e. which source caused the interrupt. After reading the MISR, the interrupt bits should clear and the PWRDOWN/INTN pin will de-assert.

5.10 ENERGY DETECT MODE

When Energy Detect is enabled and there is no activity on the cable, the DP83630 will remain in a low power mode while monitoring the transmission line. Activity on the line will cause the DP83630 to go through a normal power up sequence. Regardless of cable activity, the DP83630 will occasionally wake up the transmitter to put ED pulses on the line, but will otherwise draw as little power as possible. Energy detect functionality is controlled via register Energy Detect Control (EDCR), address 1Dh.

5.11 LINK DIAGNOSTIC CAPABILITIES

The DP83630 contains several system diagnostic capabilities for evaluating link quality and detecting potential cabling faults in twisted pair cabling. Software configuration is available through the Link Diagnostics Registers - Page 2 which can be selected via Page Select Register (PAGESEL), address 13h. These capabilities include:

- Linked Cable Status
- Link Quality Monitor
- TDR (Time Domain Reflectometry) Cable Diagnostics

5.11.1 *Linked Cable Status*

In an active connection with a valid link status, the following diagnostic capabilities are available:

- Polarity reversal
- Cable swap (MDI vs MDIX) detection
- 100 Mb Cable Length Estimation
- Frequency offset relative to link partner
- Cable Signal Quality Estimation

5.11.1.1 **Polarity Reversal**

The DP83630 detects polarity reversal by detecting negative link pulses. The Polarity indication is available in bit 12 of the PHYSTS (10h) or bit 4 of the 10BTSCR (1Ah). Inverted polarity indicates the positive and negative conductors in the receive pair are swapped. Since polarity is corrected by the receiver, this does not necessarily indicate a functional problem in the cable.

Since the polarity indication is dependent on link pulses from the link partner, polarity indication is only valid in 10 Mb modes of operation, or in 100 Mb Auto-Negotiated mode. Polarity indication is not available in 100 Mb forced mode of operation or in a parallel detected 100 Mb mode.

5.11.1.2 **Cable Swap Indication**

As part of Auto-Negotiation, the DP83630 has the ability (using Auto-MDIX) to automatically detect a cable with swapped MDI pairs and select the appropriate pairs for transmitting and receiving data. Normal operation is termed MDI, while crossed operation is MDIX. The MDIX status can be read from bit 14 of the PHYSTS (10h).

5.11.1.3 **100 Mb Cable Length Estimation**

The DP83630 provides a method of estimating cable length based on electrical characteristics of the 100 Mb link. This essentially provides an effective cable length rather than a measurement of the physical cable length. The cable length estimation is only available in 100 Mb mode of operation with a valid link status. The cable length estimation is available at the Link Diagnostics Registers - Page 2, register 100 Mb Length Detect (LEN100_DET), address 14h.

5.11.1.4 **Frequency Offset Relative to Link Partner**

As part of the 100 Mb clock recovery process, the DSP implementation provides a frequency control parameter. This value may be used to indicate the frequency offset of the device relative to the link partner. This operation is only available in 100 Mb operation with a valid link status. The frequency offset can be determined using the register 100 Mb Frequency Offset Indication (FREQ100), address 15h, of the Link Diagnostics Registers - Page 2.

Two different versions of the Frequency Offset may be monitored through bits [7:0] of register `FREQ100` (15h). The first is the long-term Frequency Offset. The second is the current Frequency Control value, which includes short-term phase adjustments and can provide information on the amount of jitter in the system.

5.11.1.5 Cable Signal Quality Estimation

The cable signal quality estimator keeps a simple tracking of results of the DSP and can be used to generate an approximate Signal-to-Noise Ratio for the 100 Mb receiver. This information is available to software through the Link Diagnostics Registers - Page 2: Variance Control Register (`VAR_CTRL`), address 1Ah and Variance Data Register (`VAR_DATA`), address 1Bh.

The variance computation times (`VAR_TIMER`) can be chosen from the set of {2, 4, 6, 8} ms. The 32-bit variance sum can be read by two consecutive reads of the `VAR_DATA` register. This sum can be used to compute an SNR estimate by software using the following equation:

$$\text{SNR} = 10\log_{10}((37748736 * \text{VAR_TIMER}) / \text{Variance}) \quad (1)$$

5.11.2 Link Quality Monitor

The Link Quality Monitor allows a method to generate an alarm when the DSP adaption strays from a programmable window. This could occur due to changes in the cable which could indicate a potential problem. Software can program thresholds for the following DSP parameters to be used to interrupt the system:

- Digital Equalizer C1 Coefficient (`DEQ C1`)
- Digital Adaptive Gain Control (`DAGC`)
- Digital Base-Line Wander Control (`DBLW`)
- Recovered Clock Long-Term Frequency Offset (`FREQ`)
- Recovered Clock Frequency Control (`FC`)
- Signal-to-Noise Ratio (`SNR`) Variance

Software is expected to read initial adapted values and then program the thresholds based on an expected valid range. This mechanism takes advantage of the fact that the DSP adaptation should remain in a relatively small range once a valid link has been established.

5.11.2.1 Link Quality Monitor Control and Status

Control of the Link Quality Monitor is done through the Link Quality Monitor Register (`LQMR`), address 1Dh and the Link Quality Data Register (`LQDR`), address 1Bh of the Link Diagnostics Registers - Page 2. The `LQMR` register includes a global enable to enable the Link Quality Monitor function. In addition, it provides warning status from both high and low thresholds for each of the monitored parameters except `SNR Variance`. The `LQMR2` register provides warning status for the high threshold of `SNR Variance` (upper 16 bits); there is no low threshold. Note that individual low or high parameter threshold comparisons can be disabled by setting to the minimum or maximum values.

To allow the Link Quality Monitor to interrupt the system, the Interrupt must be enabled through the interrupt control registers, `MICR` (11h) and `MISR` (12h).

The Link Quality Monitor may also be used to automatically reset the DSP and restart adaption. Separate enable bits in `LQMR` and `LQMR2` allow for automatic reset based on each of the parameter values. If enabled, a violation of one of the thresholds will result in a restart of the DSP adaption. In addition if the `PCSR:SD_OPTION` register bit is set to 0, the violation will also result in a drop in Link Status.

5.11.2.2 Checking Current Parameter Values

Prior to setting Threshold values, it is recommended that software check current adapted values. The thresholds may then be set relative to the adapted values. The current adapted values can be read using the LQDR register by setting the SAMPLE_PARAM bit [13] of LQDR, address (1Eh).

For example, to read the DBLW current value:

1. Write 2400h to LQDR (1Eh) to set the SAMPLE_PARAM bit and set the LQ_PARAM_SEL[2:0] to 010.
2. Read LQDR (1Eh). Current DBLW value is returned in the low 8 bits.

5.11.2.3 Threshold Control

The LQDR (1Eh) register also provides a method of programming high and low thresholds for each of the five parameters that can be monitored. The register implements an indirect read/write mechanism.

Writes are accomplished by writing data, address, and a write strobe to the register. Reads are accomplished by writing the address to the register, and reading back the value of the selected threshold. Setting thresholds to the maximum or minimum values will disable the threshold comparison since values have to exceed the threshold to generate a warning condition.

Warnings are not generated if the parameter is equal to the threshold. By default, all thresholds are disabled by setting to the minimum or maximum values. The [Table 5-4](#) shows the five parameters and range of values:

Table 5-4. Link Quality Monitor Parameter Ranges

| Parameter | Minimum Value | Maximum Value | Min (2-s comp) | Max (2-s comp) |
|-------------------|---------------|---------------|----------------|----------------|
| DEQ_C1 | -128 | +127 | 0x80 | 0x7F |
| DAGC | 0 | +255 | 0x00 | 0xFF |
| DBLW | -128 | +127 | 0x80 | 0x7F |
| Frequency Offset | -128 | +127 | 0x80 | 0x7F |
| Frequency Control | -128 | +127 | 0x80 | 0x7F |
| SNR Variance | 0 | +2304 | 0x0000 | 0x900 |

Note that values are signed 2-s complement values except for DAGC and Variance which are always positive. The maximum SNR Variance is calculated by assuming the worst-case squared error (144) is accumulated every 8 ns for 8×2^{20} ns (roughly 8 ms or exactly 1,048,576 clock cycles).

For example, to set the DBLW Low threshold to -38:

1. Write 14DAh to LQDR to set the Write_LQ_Thr bit, select the DBLW Low Threshold, and write data of -38 (0xDA).
2. Write 8000 to LQMR to enable the Link Quality Monitor (if not already enabled).

5.11.3 TDR Cable Diagnostics

The DP83630 implements a Time Domain Reflectometry (TDR) method of cable length measurement and evaluation which can be used to evaluate a connected twisted pair cable. The TDR implementation involves sending a pulse out on either the Transmit or Receive conductor pair and observing the results on either pair. By observing the types and strength of reflections on each pair, software can determine the following:

- Cable short
- Cable open
- Distance to fault
- Identify which pair has a fault
- Pair skew

The TDR cable diagnostics works best in certain conditions. For example, an unterminated cable provides a good reflection for measuring cable length, while a cable with an ideal termination to an unpowered partner may provide no reflection at all.

5.11.4 TDR Pulse Generator

The TDR implementation can send two types of TDR pulses. The first option is to send 50 ns or 100 ns link pulses from the 10 Mb Common Driver. The second option is to send pulses from the 100 Mb Common Driver in 8 ns increments up to 56 ns in width. The 100 Mb pulses will alternate between positive and negative pulses. The shorter pulses provide better ability to measure short cable lengths, especially since they will limit overlap between the transmitted pulse and a reflected pulse. The longer pulses may provide better measurements of long cable lengths.

In addition, if the pulse width is programmed to 0, no pulse will be sent, but the monitor circuit will still be activated. This allows sampling of background data to provide a baseline for analysis.

5.11.5 TDR Pulse Monitor

The TDR function monitors data from the Analog to Digital Converter (ADC) to detect both peak values and values above a programmable threshold. It can be programmed to detect maximum or minimum values. In addition, it records the time, in 8 ns intervals, at which the peak or threshold value first occurs.

The TDR monitor implements a timer that starts when the pulse is transmitted. A window may be enabled to qualify incoming data to look for response only in a desired range. This is especially useful for eliminating the transmitted pulse, but also may be used to look for multiple reflections.

5.11.6 TDR Control Interface

The TDR Control Interface is implemented in the Link Diagnostics Registers - Page 2 through TDR Control (TDR_CTRL), address 16h and TDR Window (TDR_WIN), address 17h. The following basic controls are:

- **TDR Enable:** Enable bit 15 of TDR_CTRL (16h) to allow the TDR function. This bypasses normal operation and gives control of the CD10 and CD100 block to the TDR function.
- **TDR Send Pulse:** Enable bit 11 of TDR_CTRL (16h) to send the TDR pulse and starts the TDR Monitor

The following transmit mode controls are available:

- **Transmit Mode:** Enables use of 10 Mb Link pulses from the 10 Mb Common Driver or data pulses from the 100 Mb Common Driver by enabling TDR_100 Mb, bit 14 of TDR_CTRL (16h).
- **Transmit Pulse Width:** Bits [10:8] of TDR_CTRL (16h) allows sending of 0 to 7 clock width pulses. Actual pulses are dependent on the transmit mode. If the pulse width is set to 0, then no pulse will be sent.
- **Transmit Channel Select:** The transmitter can send pulses down either the transmit pair or the receive pair by enabling bit 13 of TDR_CTRL (16h). Default value is to select the transmit pair.

The following receive mode controls are available:

- **Min/Max Mode Control:** Bit 7 of TDR_CTRL (16h) controls the TDR Monitor operation. In default mode, the monitor will detect maximum (positive) values. In Min Mode, the monitor will detect minimum (negative) values.
- **Receive Channel Select:** The receiver can monitor either the transmit pair or the receive pair by enabling bit 12 of TDR_CTRL (16h). Default value is to select the transmit pair.
- **Receive Window:** The receiver can monitor receive data within a programmable window using the TDR Window Register (TDR_WIN), address 17h. The window is controlled by two register values: TDR Start Window, bits [15:8] of TDR_WIN (17h) and TDR Stop Window, bits [7:0] of TDR_WIN (17h). The TDR Start Window indicates the first clock to start sampling. The TDR Stop Window indicates the last clock to sample. By default, the full window is enabled, with Start set to 0 and Stop set to 255. The window range is in 8 ns clock increments, so the maximum window size is 2048 ns.

5.11.7 TDR Results

The results of a TDR peak and threshold measurement are available in the TDR Peak Measurement Register (TDR_PEAK), address 18h and TDR Threshold Measurement Register (TDR_THR), address 19h. The threshold measurement may be a more accurate method of measuring the length of longer cables since it provides a better indication of the start of the received pulse, rather than the peak value.

Software utilizing the TDR function should implement an algorithm to send TDR pulses and evaluate results. Multiple runs should be used to best qualify any received pulses as multiple reflections could exist. In addition, when monitoring the transmitting pair, the window feature should be used to disqualify the transmitted pulse. Multiple runs may also be used to average the values providing more accurate results.

Actual distance measurements are dependent on the velocity of propagation of the cable. The delay value is typically on the order of 4.6 to 4.9 ns/m.

5.12 BIST

The DP83630 incorporates an internal Built-in Self Test (BIST) circuit to accommodate in-circuit testing or diagnostics. The BIST circuit can be utilized to test the integrity of the transmit and receive data paths. BIST testing can be performed with the part in the internal loopback mode or externally looped back using a loopback cable fixture. BIST testing can also be performed between two directly connected DP83630 devices.

The BIST is implemented with independent transmit and receive paths, with the transmit block generating a continuous stream of a pseudo random sequence. The user can select a 9 bit or 15 bit pseudo random sequence from the PSR_15 bit in the PHY Control Register (PHYCR). The received data is compared to the generated pseudo-random data by the BIST Linear Feedback Shift Register (LFSR) to determine the BIST pass/fail status.

The pass/fail status of the BIST is stored in the BIST status bit in the PHYCR register. The status bit defaults to 0 (BIST fail) and will transition on a successful comparison. If an error (mis-compare) occurs, the status bit is latched and is cleared upon a subsequent write to the Start/Stop bit.

For transmit VOD testing, the Packet BIST Continuous Mode can be used to allow continuous data transmission by setting the BIST_CONT_MODE, bit 5, of CDCTRL1 (1Bh).

The number of BIST errors can be monitored through the BIST Error Count in the CDCTRL1 (1Bh), bits [15:8].

6 MAC Interface

The DP83630 supports several modes of operation using the MII interface pins. The options are defined in the following sections and include:

- MII Mode
- RMII Mode
- Single Clock MII Mode (SCMII)

In addition, the DP83630 supports the standard 802.3u MII Serial Management Interface.

The modes of operation can be selected by strap options or register control. For RMII Slave mode, it is recommended to use the strap option since it requires a 50 MHz clock instead of the normal 25 MHz.

In each of these modes, the IEEE 802.3 serial management interface is operational for device configuration and status. The serial management interface of the MII allows for the configuration and control of multiple PHY devices, gathering of status, error information, and the determination of the type and capabilities of the attached PHY(s).

6.1 MII INTERFACE

The DP83630 incorporates the Media Independent Interface (MII) as specified in Clause 22 of the IEEE 802.3u standard. This interface may be used to connect PHY devices to a MAC in 10/100 Mb/s systems. This section describes the nibble wide MII data interface.

The nibble wide MII data interface consists of a receive bus and a transmit bus each with control signals to facilitate data transfer between the PHY and the upper layer (MAC).

6.1.1 Nibble-wide MII Data Interface

Clause 22 of the IEEE 802.3u specification defines the Media Independent Interface. This interface includes a dedicated receive bus and a dedicated transmit bus. These two data buses, along with various control and status signals, allow for the simultaneous exchange of data between the DP83630 and the upper layer agent (MAC).

The receive interface consists of a nibble wide data bus RXD[3:0], a receive error signal RX_ER, a receive data valid flag RX_DV, and a receive clock RX_CLK for synchronous transfer of the data. The receive clock operates at either 2.5 MHz to support 10 Mb/s operation modes or at 25 MHz to support 100 Mb/s operational modes.

The transmit interface consists of a nibble wide data bus TXD[3:0], a transmit enable control signal TX_EN, and a transmit clock TX_CLK which runs at either 2.5 MHz or 25 MHz.

Additionally, the MII includes the carrier sense signal CRS, as well as a collision detect signal COL. The CRS signal asserts to indicate the reception of data from the network or as a function of transmit data in Half Duplex mode. The COL signal asserts as an indication of a collision which can occur during half-duplex operation when both a transmit and receive operation occur simultaneously.

6.1.2 Collision Detect

For Half Duplex, a 10BASE-T or 100BASE-TX collision is detected when the receive and transmit channels are active simultaneously. Collisions are reported by the COL signal on the MII.

If the DP83630 is transmitting in 10 Mb/s mode when a collision is detected, the collision is not reported until seven bits have been received while in the collision state. This prevents a collision being reported incorrectly due to noise on the network. The COL signal remains set for the duration of the collision.

If a collision occurs during a receive operation, it is immediately reported by the COL signal.

When heartbeat is enabled (only applicable to 10 Mb/s operation), approximately 1 μ s after the transmission of each packet, a Signal Quality Error (SQE) signal of approximately 10 bit times is generated (internally) to indicate successful transmission. SQE is reported as a pulse on the COL signal of the MII.

Collision is not indicated during Full Duplex operation.

6.1.3 Carrier Sense

In 10 Mb/s operation, Carrier Sense (CRS) is asserted due to receive activity once valid data is detected via the Smart Squelch function. During 100 Mb/s operation CRS is asserted when a valid link (SD) and two non-contiguous zeros are detected on the line.

For 10 or 100 Mb/s Half Duplex operation, CRS is asserted during either packet transmission or reception.

For 10 or 100 Mb/s Full Duplex operation, CRS is asserted only due to receive activity.

CRS is deasserted following an end of packet.

6.2 REDUCED MII INTERFACE

The DP83630 incorporates the Reduced Media Independent Interface (RMII) as specified in the RMII specification (rev 1.2) from the RMII Consortium. This interface may be used to connect PHY devices to a MAC in 10/100 Mb/s systems using a reduced number of pins. In this mode, data is transferred 2-bits at a time using the 50 MHz RMII_REF clock for both transmit and receive. The following pins are used in RMII mode:

- TX_EN
- TXD[1:0]
- RX_ER (optional for MAC)
- CRS/CRS_DV
- RXD[1:0]
- X1 (25 MHz in RMII Master mode, 50 MHz in RMII Slave mode)
- RX_CLK, TX_CLK, CLK_OUT (50 MHz RMII reference clock in RMII Master mode only)

In addition, the RMII mode supplies an RX_DV signal which allows for a simpler method of recovering receive data without having to separate RX_DV from the CRS_DV indication. This is especially useful for systems which do not require CRS, such as systems that only support full-duplex operation. This signal is also useful for diagnostic testing where it may be desirable to loop external Receive RMII data directly to the transmitter.

The RX_ER output may be used by the MAC to detect error conditions. It is asserted for symbol errors received during a packet, False Carrier events, and also for FIFO underrun or overrun conditions. Since the PHY is required to corrupt receive data on an error, a MAC is not required to use RX_ER.

Since the reference clock operates at 10 times the data rate for 10 Mb/s operation, transmit data is sampled every 10 clocks. Likewise, receive data will be generated every 10th clock so that an attached device can sample the data every 10 clocks.

RMII Slave mode requires a 50 MHz oscillator to be connected to the device X1 pin. A 50 MHz crystal is not supported. RMII Master mode can use either a 25 MHz oscillator connected to X1 or a 25 MHz crystal connected to X1 and X2.

To tolerate potential frequency differences between the 50 MHz reference clock and the recovered receive clock, the receive RMII function includes a programmable elasticity buffer. The elasticity buffer is programmable to minimize propagation delay based on expected packet size and clock accuracy. This allows for supporting a range of packet sizes including jumbo frames.

The elasticity buffer will force Frame Check Sequence errors for packets which overrun or underrun the FIFO. Underrun and overrun conditions can be reported in the RMII and Bypass Register (RBR). [Table 6-1](#) indicates how to program the elasticity buffer FIFO (in 4-bit increments) based on expected maximum packet size and clock accuracy. It assumes both clocks (RMII Reference clock and far-end Transmitter clock) have the same accuracy.

Packet lengths can be scaled linearly based on accuracy (+/- 25 ppm would allow packets twice as large). If the threshold setting must support both 10 Mb and 100 Mb operation, the setting should be made to support both speeds.

Table 6-1. Supported Packet Sizes at +/-50 ppm Frequency Accuracy

| Start Threshold RBR[1:0] | Latency Tolerance | | Recommended Packet Size at +/- 50 ppm | |
|--------------------------|-------------------|---------|---------------------------------------|--------------|
| | 100 Mb | 10 Mb | 100 Mb | 10 Mb |
| 01 (default) | 2 bits | 8 bits | 2,400 bytes | 9,600 bytes |
| 10 | 6 bits | 4 bits | 7,200 bytes | 4,800 bytes |
| 11 | 10 bits | 8 bits | 12,000 bytes | 9,600 bytes |
| 00 | 14 bits | 12 bits | 16,800 bytes | 14,400 bytes |

6.2.1 RMII Master Mode

In RMII Master Mode, the DP83630 uses a 25 MHz crystal on X1/X2 and internally generates the 50 MHz RMII reference clock for use by the RMII logic. The 50 MHz clock is output on RX_CLK, TX_CLK, and CLK_OUT for use as the reference clock for an attached MAC. RX_CLK operates at 25 MHz during reset.

6.2.2 RMII Slave Mode

In RMII Slave Mode, the DP83630 takes a 50 MHz reference clock input on X1 from an external oscillator or another DP83630 in RMII Master Mode. The 50 MHz is internally divided down to 25 MHz for use as the reference clock for non-RMII logic. RX_CLK, TX_CLK, and CLK_OUT should not be used as the RMII reference clock in this mode but may be used for other system devices.

6.3 SINGLE CLOCK MII MODE

Single Clock MII (SCMII) Mode allows MII operation using a single 25 MHz reference clock. Normal MII Mode requires three clocks, a reference clock for physical layer functions, a transmit MII clock, and a receive MII clock. Similar to RMII mode, Single Clock MII mode requires only the reference clock. In addition to reducing the number of pins required, this mode allows the attached MAC device to use only the reference clock domain. AC Timing requirements for SCMII operation are similar to the RMII timing requirements.

For 10 Mb operation, as in RMII mode, data is sampled and driven every 10 clocks since the reference clock is at 10 times the data rate.

Separate control bits allow enabling the Transmit and Receive Single Clock modes separately, allowing just transmit or receive to operate in this mode. Control of Single Clock MII mode is through the RBR register.

Single Clock MII mode incorporates the use of the RMII elasticity buffer, which is required to tolerate potential frequency differences between the 25 MHz reference clock and the recovered receive clock. Settings for the elasticity buffer for SCMII mode are detailed in [Table 6-2](#).

Table 6-2. Supported SCMI Packet Sizes at +/-50 ppm Frequency Accuracy

| Start Threshold RBR[1:0] | Latency Tolerance | | Recommended Packet Size at +/- 50 ppm | |
|--------------------------|-------------------|--------|---------------------------------------|-------------|
| | 100 Mb | 10 Mb | 100 Mb | 10 Mb |
| 01 (default) | 4 bits | 8 bits | 4,000 bytes | 9,600 bytes |
| 10 | 4 bits | 8 bits | 4,000 bytes | 9,600 bytes |
| 11 | 8 bits | 8 bits | 9,600 bytes | 9,600 bytes |
| 00 | 8 bits | 8 bits | 9,600 bytes | 9,600 bytes |

6.4 IEEE 802.3u MII SERIAL MANAGEMENT INTERFACE

6.4.1 Serial Management Register Access

The serial management MII specification defines a set of thirty-two 16-bit status and control registers that are accessible through the management interface pins MDC and MDIO. The DP83630 implements all the required MII registers as well as several optional registers. These registers are fully described in [Register Block](#). A description of the serial management access protocol follows.

6.4.2 Serial Management Access Protocol

The serial control interface consists of two pins, Management Data Clock (MDC) and Management Data Input/Output (MDIO). MDC has a maximum clock rate of 25 MHz and no minimum rate. The MDIO line is bi-directional and may be shared by up to 32 devices. The MDIO frame format is shown below in [Table 6-3](#).

Table 6-3. Typical MDIO Frame Format

| MII Management Serial Protocol | <idle><start><opcode><device addr><reg addr><turnaround><data><idle> |
|--------------------------------|--|
| Read Operation | <idle><01><10><AAAAA><RRRRR><Z0><xxxx xxxx xxxx xxxx><idle> |
| Write Operation | <idle><01><01><AAAAA><RRRRR><10><xxxx xxxx xxxx xxxx><idle> |

The MDIO pin requires a pull-up resistor (1.5 kΩ) which, during IDLE and turnaround, will pull MDIO high. The DP83630 also includes an option to enable an internal pull-up on the MDIO pin, MDIO_PULL_EN bit in the CDCTRL1 register. In order to initialize the MDIO interface, the station management entity sends a sequence of 32 contiguous logic ones on MDIO to provide the DP83630 with a sequence that can be used to establish synchronization. This preamble may be generated either by driving MDIO high for 32 consecutive MDC clock cycles, or by simply allowing the MDIO pull-up resistor to pull the MDIO pin high during which time 32 MDC clock cycles are provided. In addition 32 MDC clock cycles should be used to re-sync the device if an invalid Start, Opcode, or turnaround bit is detected.

The DP83630 waits until it has received this preamble sequence before responding to any other transaction. Once the DP83630 serial management port has been initialized no further preamble sequencing is required until after a power-on/reset, invalid Start, invalid Opcode, or invalid turnaround (TA) bit has occurred.

The Start code is indicated by a <01> pattern. This assures the MDIO line transitions from the default idle line state.

Turnaround is defined as an idle bit time inserted between the Register Address field and the Data field. To avoid contention during a read transaction, no device shall actively drive the MDIO signal during the first bit of Turnaround. The addressed DP83630 drives the MDIO with a zero for the second bit of turnaround and follows this with the required data. Figure 6-1 shows the timing relationship between MDC and the MDIO as driven/received by the Station (STA) and the DP83630 (PHY) for a typical register read access.

For write transactions, the station management entity writes data to the addressed DP83630 thus eliminating the requirement for MDIO Turnaround. The Turnaround time is filled by the management entity by inserting <10>. Figure 7-1 shows the timing relationship for a typical MII register write access.

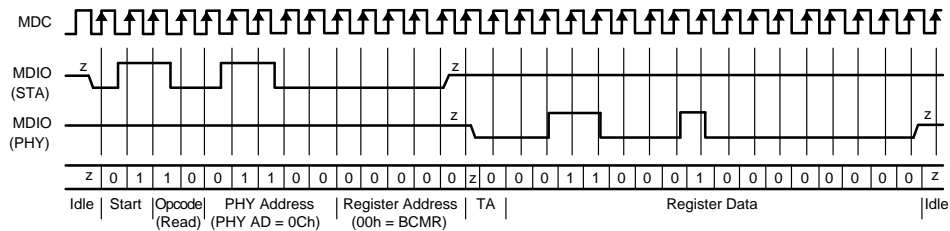


Figure 6-1. Typical MDC/MDIO Read Operation

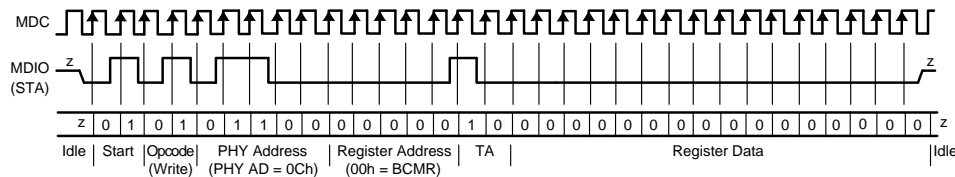


Figure 6-2. Typical MDC/MDIO Write Operation

6.4.3 Serial Management Preamble Suppression

The DP83630 supports a Preamble Suppression mode as indicated by a one in bit 6 of the Basic Mode Status Register (BMSR, address 01h.) If the station management entity (i.e. MAC or other management controller) determines that all PHYs in the system support Preamble Suppression by returning a one in this bit, then the station management entity need not generate preamble for each management transaction.

The DP83630 requires a single initialization sequence of 32 bits of preamble following hardware/software reset. This requirement is generally met by the mandatory pull-up resistor on MDIO in conjunction with a continuous MDC, or the management access made to determine whether Preamble Suppression is supported.

While the DP83630 requires an initial preamble sequence of 32 bits for management initialization, it does not require a full 32-bit sequence between each subsequent transaction. A *minimum of one idle bit between management transactions is required* as specified in the IEEE 802.3u specification.

6.5 PHY CONTROL FRAMES

The DP83630 supports a packet-based control mechanism for use in situations where the Serial Management Interface is not available or does not provide enough throughput. Application software may build a packet, called a PHY Control Frame (PCF), to be passed to the PHY through the MAC Transmit Data interface. The PHY will intercept these packets and use them to assert writes to Management Registers as if they occurred via the Management Interface. Multiple register writes may be incorporated in a single frame.

The PHY Control Frame may also be used to read a register location. The read value will be returned in a PHY Status Frame if that function is enabled. Only a single read may be outstanding at any time, so only one read should be included in a single PHY Control Frame.

The PHY Control Frame block performs the following functions:

- Parse incoming transmit packets to detect PHY Control Frames
- Truncate PHY Control Frames to prevent complete frame from reaching the transmit physical medium
- Buffer up to 15 bytes of the Frame to be intercepted by the PHY with no portion reaching physical medium
- Detect commands in the PHY Control Frame and pass them to the register block
- Check CRC to detect error conditions
- Report CRC and invalid command errors to the system via register status and/or interrupt

PHY Control Frames can be enabled through the PCF_Enable bit in the PHY Control Frames Configuration Register (PCFCR). PHY Control Frames can also be enabled by using the PCF_EN strap option. For a more detailed discussion on the use of PHY Control Frames, refer to the Software Development Guide for the DP83630.

6.6 PHY STATUS FRAMES

The DP83630 implements a packet-based status mechanism that allows the PHY to queue up events and pass them to the microcontroller through the receive data interface. The packet, called a PHY Status Frame, may be used to provide IEEE 1588 status for transmit packet timestamps, receive packet timestamps, event timestamps, and trigger conditions. In addition the device can generate status messages indicating packet buffering errors and to return data read using the PHY Control Frame register access mechanism.

Each PHY Status Frame may include multiple status messages. The packet will be framed such that it will look like a IEEE 1588 frame to ensure that it will get to the IEEE 1588 software stack. The PHY will provide buffering of any incoming packet to allow the status packet to be passed to the MAC. Programmable inter-frame gap and preamble length allow the PHY to recover lost bandwidth in the case of heavy receive traffic.

In a PHY Status Frame, status messages are not provided in a chronological order. Instead, they are provided in the following order of priority:

1. PHY Control Frame Read Data
2. Packet Buffer Error
3. Transmit Timestamp
4. Receive Timestamp
5. Trigger Status
6. Event Timestamp

Each of the message types may be individually enabled, allowing options on which functions may be delivered in a PHY Status Frame.

Timestamps that are delivered via PHY Status Frames will not be reflected in the corresponding status and timestamp registers nor will they generate an interrupt.

The packet format may be configured to look like a Layer 2 Ethernet frame or a UDP/IPv4 frame.

For a more detailed discussion on the use of PHY Status Frames, refer to the Software Development Guide for the DP83630.

7 Architecture

This section describes the operations within each transceiver module, 100BASE-TX and 10BASE-T. Each operation consists of several functional blocks and is described in the following:

- 100BASE-TX Transmitter
- 100BASE-TX Receiver
- 100BASE-FX Operation
- 10BASE-T Transceiver Module

7.1 100BASE-TX TRANSMITTER

The 100BASE-TX transmitter consists of several functional blocks which convert synchronous 4-bit nibble data, as provided by the MII, to a scrambled MLT-3 125 Mb/s serial data stream. Because the 100BASE-TX TP-PMD is integrated, the differential output pins, PMD Output Pair, can be directly routed to the magnetics.

The block diagram in [Figure 7-1](#) provides an overview of each functional block within the 100BASE-TX transmit section.

The Transmitter section consists of the following functional blocks:

- Code-Group Encoder and Injection block
- Scrambler block (bypass option)
- NRZ to NRZI Encoder block
- Binary to MLT-3 Converter / Common Driver block

The bypass option for the functional blocks within the 100BASE-TX transmitter provides flexibility for applications where data conversion is not always required. The DP83630 implements the 100BASE-TX transmit state machine diagram as specified in the IEEE 802.3u Standard, Clause 24.

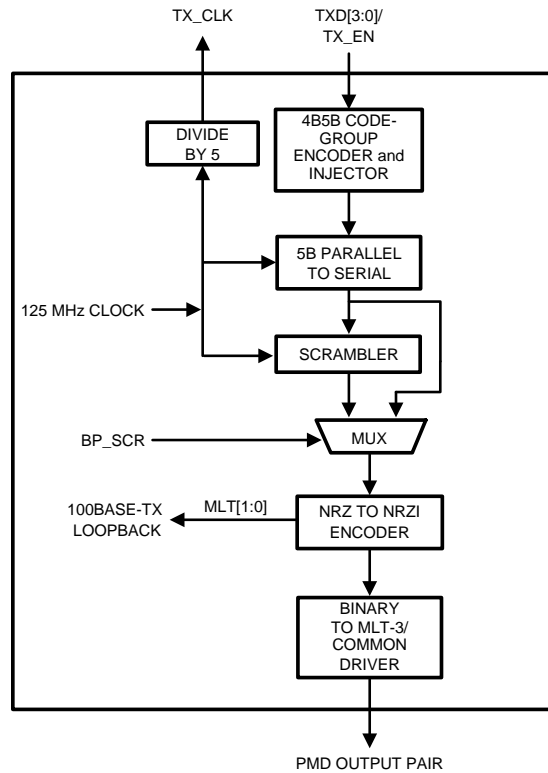


Figure 7-1. 100BASE-TX Transmit Block Diagram

Table 7-1. 4B5B Code-Group Encoding/Decoding

| Name | PCS 5B Code-Group | MII 4B Nibble Code |
|-------------------------------|-------------------|--|
| DATA CODES | | |
| 0 | 11110 | 0000 |
| 1 | 01001 | 0001 |
| 2 | 10100 | 0010 |
| 3 | 10101 | 0011 |
| 4 | 01010 | 0100 |
| 5 | 01011 | 0101 |
| 6 | 01110 | 0110 |
| 7 | 01111 | 0111 |
| 8 | 10010 | 1000 |
| 9 | 10011 | 1001 |
| A | 10110 | 1010 |
| B | 10111 | 1011 |
| C | 11010 | 1100 |
| D | 11011 | 1101 |
| E | 11100 | 1110 |
| F | 11101 | 1111 |
| IDLE AND CONTROL CODES | | |
| H | 00100 | HALT code-group - Error code |
| I | 11111 | Inter-Packet IDLE - 0000 ⁽¹⁾ |
| J | 11000 | First Start of Packet - 0101 ⁽¹⁾ |
| K | 10001 | Second Start of Packet - 0101 ⁽¹⁾ |
| T | 01101 | First End of Packet - 0000 ⁽¹⁾ |
| R | 00111 | Second End of Packet - 0000 ⁽¹⁾ |
| INVALID CODES | | |
| V | 00000 | |
| V | 00001 | |
| V | 00010 | |
| V | 00011 | |
| V | 00101 | |
| V | 00110 | |
| V | 01000 | |
| V | 01100 | |
| V | 10000 | |
| V | 11001 | |

(1) Control code-groups I, J, K, T and R in data fields will be mapped as invalid codes, together with RX_ER asserted.

7.1.1 Code-Group Encoding and Injection

The code-group encoder converts 4-bit (4B) nibble data generated by the MAC into 5-bit (5B) code-groups for transmission. This conversion is required to allow control data to be combined with packet data code-groups. Refer to [Table 7-1](#) for 4B to 5B code-group mapping details.

The code-group encoder substitutes the first 8-bits of the MAC preamble with a J/K code-group pair (11000 10001) upon transmission. The code-group encoder continues to replace subsequent 4B preamble and data nibbles with corresponding 5B code-groups. At the end of the transmit packet, upon the deassertion of Transmit Enable signal from the MAC, the code-group encoder injects the T/R code-group pair (01101 00111) indicating the end of the frame.

After the T/R code-group pair, the code-group encoder continuously injects IDLEs into the transmit data stream until the next transmit packet is detected (reassertion of Transmit Enable).

7.1.2 Scrambler

The scrambler is required to control the radiated emissions at the media connector and on the twisted pair cable (for 100BASE-TX applications). By scrambling the data, the total energy launched onto the cable is randomly distributed over a wide frequency range. Without the scrambler, energy levels at the PMD and on the cable could peak beyond FCC limitations at frequencies related to repeating 5B sequences (i.e., continuous transmission of IDLEs).

The scrambler is configured as a closed loop linear feedback shift register (LFSR) with an 11-bit polynomial. The output of the closed loop LFSR is X-ORd with the serial NRZ data from the code-group encoder. The result is a scrambled data stream with sufficient randomization to decrease radiated emissions at certain frequencies by as much as 20 dB. The DP83630 uses the PHY_ID (pins PHYAD [4:0]) to set a unique seed value.

7.1.3 NRZ to NRZI Encoder

After the transmit data stream has been serialized and scrambled, the data must be NRZI encoded in order to comply with the TP-PMD standard for 100BASE-TX transmission over Category-5 Unshielded twisted pair cable. There is no ability to bypass this block within the DP83630. The NRZI data is sent to the 100 Mb Driver. In addition, this module creates an encoded MLT value for use in 100 Mb Internal Loopback.

7.1.4 Binary to MLT-3 Convertor

The Binary to MLT-3 conversion is accomplished by converting the serial binary data stream output from the NRZI encoder into two binary data streams with alternately phased logic one events. These two binary streams are then fed to the twisted pair output driver which converts the voltage to current and alternately drives either side of the transmit transformer primary winding, resulting in a minimal current MLT-3 signal.

The 100BASE-TX MLT-3 signal sourced by the PMD Output Pair common driver is slew rate controlled. This should be considered when selecting AC coupling magnetics to ensure TP-PMD Standard compliant transition times ($3 \text{ ns} < T_r < 5 \text{ ns}$).

The 100BASE-TX transmit TP-PMD function within the DP83630 is capable of sourcing only MLT-3 encoded data. Binary output from the PMD Output Pair is not possible in 100 Mb/s mode.

7.2 100BASE-TX RECEIVER

The 100BASE-TX receiver consists of several functional blocks which convert the scrambled MLT-3 125 Mb/s serial data stream to synchronous 4-bit nibble data that is provided to the MII. Because the 100BASE-TX TP-PMD is integrated, the differential input pins, RD±, can be directly routed from the AC coupling magnetics.

See [Figure 7-2](#) for a block diagram of the 100BASE-TX receive function. This provides an overview of each functional block within the 100BASE-TX receive section.

The Receive section consists of the following functional blocks:

- Analog Front End
- Input and BLW Compensation
- Signal Detect
- Digital Adaptive Equalization
- MLT-3 to Binary Decoder
- Clock Recovery Module
- NRZI to NRZ Decoder
- Serial to Parallel
- Descrambler (bypass option)
- Code Group Alignment
- 4B/5B Decoder
- Link Integrity Monitor
- Bad SSD Detection

7.2.1 Analog Front End

In addition to the Digital Equalization and Gain Control, the DP83630 includes Analog Equalization and Gain Control in the Analog Front End. The Analog Equalization reduces the amount of Digital Equalization required in the DSP.

7.2.2 Digital Signal Processor

The Digital Signal Processor includes Base Line Wander Compensation and Adaptive Equalization with Gain Control.

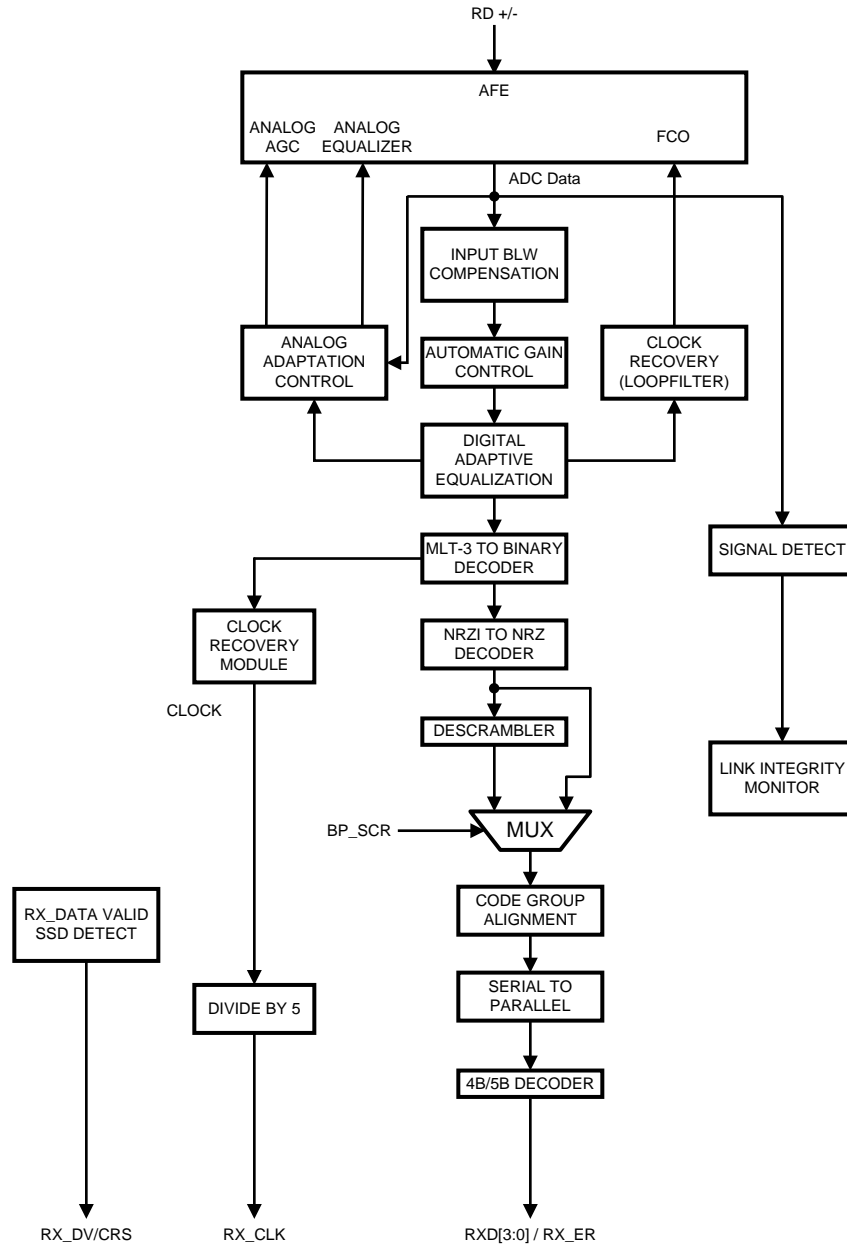


Figure 7-2. 100BASE-TX Receive Block Diagram

7.2.2.1 Base Line Wander Compensation

The DP83630 is completely ANSI TP-PMD compliant and includes Base Line Wander (BLW) compensation. The BLW compensation block can successfully recover the TP-PMD defined “killer” pattern.

7.2.2.2 Digital Adaptive Equalization and Gain Control

The DP83630 utilizes an extremely robust equalization scheme referred as ‘Digital Adaptive Equalization.’

The Digital Equalizer removes ISI (inter symbol interference) from the receive data stream by continuously adapting to provide a filter with the inverse frequency response of the channel. Equalization is combined with an adaptive gain control stage. This enables the receive ‘eye pattern’ to be opened sufficiently to allow very reliable data recovery.

7.2.3 Signal Detect

The signal detect function of the DP83630 is incorporated to meet the specifications mandated by the ANSI FDDI TP-PMD Standard as well as the IEEE 802.3 100BASE-TX Standard for both voltage thresholds and timing parameters.

Note that the reception of normal 10BASE-T link pulses and fast link pulses per IEEE 802.3u Auto-Negotiation by the 100BASE-TX receiver do not cause the DP83630 to assert signal detect.

7.2.4 MLT-3 to Binary Decoder

The DP83630 decodes the MLT-3 information from the Digital Adaptive Equalizer block to binary NRZI data.

7.2.5 Clock Recovery Module

The Clock Recovery function is implemented as a Phase detector and Loop Filter which accepts data and error from the receive datapath to detect the phase of the recovered data. This phase information is fed into the loop filter to determine an 8-bit signed frequency control. The 8-bit signed frequency control is sent to the FCO in the Analog Front End to derive the receive clock. The extracted and synchronized clock and data are used as required by the synchronous receive operations as generally depicted in [Figure 7-2](#).

7.2.6 NRZI to NRZ Decoder

In a typical application, the NRZI to NRZ decoder is required in order to present NRZ formatted data to the descrambler (or to the code-group alignment block if the descrambler is bypassed).

7.2.7 Serial to Parallel

The 100BASE-TX receiver includes a Serial to Parallel converter which supplies 5-bit wide data symbols to the PCS Rx state machine.

7.2.8 Descrambler

A serial descrambler is used to de-scramble the received NRZ data. The descrambler has to generate an identical data scrambling sequence (N) in order to recover the original unscrambled data (UD) from the scrambled data (SD) as represented in the equations:

$$\begin{aligned}SD &= (UD \oplus N) \\UD &= (SD \oplus N)\end{aligned}$$

Synchronization of the descrambler to the original scrambling sequence (N) is achieved based on the knowledge that the incoming scrambled data stream consists of scrambled IDLE data. After the descrambler has recognized 12 consecutive IDLE code-groups, where an unscrambled IDLE code-group in 5B NRZ is equal to five consecutive ones (11111), it will synchronize to the receive data stream and generate unscrambled data in the form of unaligned 5B code-groups.

In order to maintain synchronization, the descrambler must continuously monitor the validity of the unscrambled data that it generates. To ensure this, a line state monitor and a hold timer are used to constantly monitor the synchronization status. Upon synchronization of the descrambler, the hold timer starts a 722 μ s countdown. Upon detection of sufficient IDLE code-groups (58 bit times) within the 722 μ s period, the hold timer will reset and begin a new countdown. This monitoring operation will continue indefinitely given a properly operating network connection with good signal integrity. If the line state monitor does not recognize sufficient unscrambled IDLE code-groups within the 722 μ s period, the entire descrambler will be forced out of the current state of synchronization and reset in order to re-acquire synchronization. The DP83604T also provides a bit (DESC_TIME, bit 7) in the PCSR register (0x16) that increases the descrambler timeout from 722 μ s to 2 ms to allow reception of packets up to 9kB in size without losing descrambler lock.

7.2.9 Code-Group Alignment

The code-group alignment module operates on unaligned 5-bit data from the descrambler (or, if the descrambler is bypassed, directly from the NRZI/NRZ decoder) and converts it into 5B code-group data (5 bits). Code-group alignment occurs after the J/K code-group pair is detected. Once the J/K code-group pair (11000 10001) is detected, subsequent data is aligned on a fixed boundary.

7.2.10 4B/5B Decoder

The code-group decoder functions as a look up table that translates incoming 5B code-groups into 4B nibbles. The code-group decoder first detects the J/K code-group pair preceded by IDLE code-groups and replaces the J/K with MAC preamble. Specifically, the J/K 10-bit code-group pair is replaced by the nibble pair (0101 0101). All subsequent 5B code-groups are converted to the corresponding 4B nibbles for the duration of the entire packet. This conversion ceases upon the detection of the T/R code-group pair denoting the End of Stream Delimiter (ESD) or with the reception of a minimum of two IDLE code-groups.

7.2.11 100BASE-TX Link Integrity Monitor

The 100BASE-TX link monitor ensures that a valid and stable link is established before enabling both the Transmit and Receive PCS layer.

Signal detect must be valid for 395 μ s to allow the link monitor to enter the 'Link Up' state and enable the transmit and receive functions.

7.2.12 Bad SSD Detection

A Bad Start of Stream Delimiter (Bad SSD) is any transition from consecutive idle code-groups to non-idle code-groups which is not prefixed by the code-group pair /J/K.

If this condition is detected, the DP83630 will assert RX_ER and present RXD[3:0] = 1110 to the MII for the cycles that correspond to received 5B code-groups until at least two IDLE code-groups are detected. In addition, the False Carrier Sense Counter register (FCSCR) will be incremented by one.

Once at least two IDLE code-groups are detected, RX_ER and CRS become de-asserted.

7.3 100BASE-FX OPERATION

The DP83630 provides IEEE 802.3 compliant 100BASE-FX operation. Configuration of FX mode is via strap option, or through the register interface.

7.3.1 100BASE-FX Transmit

In 100BASE-FX mode, the device Transmit pins connect to an industry standard Fiber Transceiver with PECL signaling through a capacitively coupled circuit.

In FX mode, the device bypasses the Scrambler and the MLT3 encoder. This allows for the transmission of serialized 5B4B encoded NRZI data at 125 MHz.

The only added functionality from 100BASE-TX is the support for Far-End Fault data generation.

7.3.2 100BASE-FX Receive

In 100BASE-FX mode, the device Receive pins connect to an industry standard Fiber Transceiver with PECL signaling through a capacitively coupled circuit.

In FX mode, the device bypasses the MLT3 Decoder and the Descrambler. This allows for the reception of serialized 5B4B encoded NRZI data at 125 MHz.

The only added functionality for 100BASE-FX from 100BASE-TX is the support of Far-End Fault detection.

7.3.3 Far-End Fault

Since 100BASE-FX does not support Auto-Negotiation, a Far-End Fault facility is included which allows for detection of link failures.

When no signal is being received as determined by the Signal Detect function, the device sends a Far-End Fault indication to the far-end peer. The Far-End Fault indication is comprised of 3 or more repeating cycles, each consisting of 84 one's followed by 1 zero. The pattern is such that it will not satisfy the 100BASE-X carrier sense mechanism, but is easily detected as the Fault indication. The pattern will be transparent to devices that do not support Far-End Fault.

The Far-End Fault detection process continuously monitors the receive data stream for the Far-End Fault indication. When detected, the Link Monitor is forced to deassert Link status. This causes the device to transmit IDLE's on its transmit path.

7.4 10BASE-T TRANSCEIVER MODULE

The 10BASE-T Transceiver Module is IEEE 802.3 compliant. It includes the receiver, transmitter, collision, heartbeat, loopback, jabber, and link integrity functions, as defined in the standard. An external filter is not required on the 10BASE-T interface since this is integrated inside the DP83630. This section focuses on the general 10BASE-T system level operation.

7.4.1 Operational Modes

The DP83630 has two basic 10BASE-T operational modes:

- Half Duplex mode
- Full Duplex mode

Half Duplex Mode

In Half Duplex mode the DP83630 functions as a standard IEEE 802.3 10BASE-T transceiver supporting the CSMA/CD protocol.

Full Duplex Mode

In Full Duplex mode the DP83630 is capable of simultaneously transmitting and receiving without asserting the collision signal. The DP83630's 10 Mb/s ENDEC is designed to encode and decode simultaneously.

7.4.2 Smart Squelch

The smart squelch is responsible for determining when valid data is present on the differential receive inputs. The DP83630 implements an intelligent receive squelch to ensure that impulse noise on the receive inputs will not be mistaken for a valid signal. Smart squelch operation is independent of the 10BASE-T operational mode.

The squelch circuitry employs a combination of amplitude and timing measurements (as specified in the IEEE 802.3 10BASE-T standard) to determine the validity of data on the twisted pair inputs (refer to [Figure 7-3](#)).

The signal at the start of a packet is checked by the smart squelch and any pulses not exceeding the squelch level (either positive or negative, depending upon polarity) will be rejected. Once this first squelch level is overcome correctly, the opposite squelch level must then be exceeded within 150 ns. Finally the signal must again exceed the original squelch level within 150 ns to ensure that the input waveform will not be rejected. This checking procedure results in the loss of typically three preamble bits at the beginning of each packet.

Only after all these conditions have been satisfied will a control signal be generated to indicate to the remainder of the circuitry that valid data is present. At this time, the smart squelch circuitry is reset.

Valid data is considered to be present until the squelch level has not been generated for a time longer than 150 ns, indicating the End of Packet. Once good data has been detected, the squelch levels are reduced to minimize the effect of noise causing premature End of Packet detection.

The receive squelch threshold level can be lowered for use in longer cable or STP applications. This is achieved by configuring the SQUELCH bits (11:9) in the 10BTSCR register (0x1A).

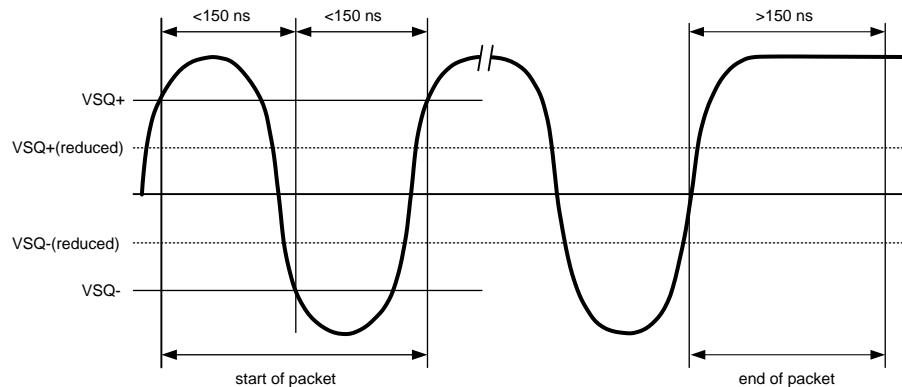


Figure 7-3. 10BASE-T Twisted Pair Smart Squelch Operation

7.4.3 Collision Detection and SQE

When in Half Duplex, a 10BASE-T collision is detected when the receive and transmit channels are active simultaneously. Collisions are reported by the COL signal on the MII. Collisions are also reported when a jabber condition is detected.

The COL signal remains set for the duration of the collision. If the ENDEC is receiving when a collision is detected it is reported immediately (through the COL pin).

When heartbeat is enabled, approximately 1 μ s after the transmission of each packet, a Signal Quality Error (SQE) signal of approximately 10-bit times is generated to indicate successful transmission. SQE is reported as a pulse on the COL signal of the MII.

The SQE test is inhibited when the PHY is set in full duplex mode. SQE can also be inhibited by setting the HEARTBEAT_DIS bit (1) in the 10BTSCR register (0x1A).

7.4.4 Carrier Sense

Carrier Sense (CRS) may be asserted due to receive activity once valid data is detected via the squelch function.

For 10 Mb/s Half Duplex operation, CRS is asserted during either packet transmission or reception.

For 10 Mb/s Full Duplex operation, CRS is asserted only during receive activity.

CRS is deasserted following an end of packet.

7.4.5 Normal Link Pulse Detection/Generation

The link pulse generator produces pulses as defined in the IEEE 802.3 10BASE-T standard. Each link pulse is nominally 100 ns in duration and transmitted every 16 ms in the absence of transmit data.

Link pulses are used to check the integrity of the connection with the remote end. If valid link pulses are not received, the link detector disables the 10BASE-T twisted pair transmitter, receiver and collision detection functions.

When the link integrity function is disabled (FORCE_LINK_10 of the 10BTSCR register), a good link is forced and the 10BASE-T transceiver will operate regardless of the presence of link pulses.

7.4.6 Jabber Function

The jabber function monitors the DP83630's output and disables the transmitter if it attempts to transmit a packet of longer than legal size. A jabber timer monitors the transmitter and disables the transmission if the transmitter is active for approximately 85 ms.

Once disabled by the Jabber function, the transmitter stays disabled for the entire time that the ENDEC module's internal transmit enable is asserted. This signal has to be de-asserted for approximately 500 ms (the "unjab" time) before the Jabber function re-enables the transmit outputs.

The Jabber function is only relevant in 10BASE-T mode.

7.4.7 Automatic Link Polarity Detection and Correction

The DP83630's 10BASE-T transceiver module incorporates an automatic link polarity detection circuit. When three consecutive inverted link pulses are received, bad polarity is reported. The bad polarity condition is latched in the 10BTSCR register.

The DP83630's 10BASE-T transceiver module corrects for this error internally and will continue to decode received data correctly. This eliminates the need to correct the wiring error immediately.

A polarity reversal can be caused by a wiring error at either end of the cable, usually at the Main Distribution Frame (MDF) or patch panel in the wiring closet.

7.4.8 Transmit and Receive Filtering

External 10BASE-T filters are not required when using the DP83630, as the required signal conditioning is integrated into the device.

Only isolation transformers and impedance matching resistors are required for the 10BASE-T transmit and receive interface. The internal transmit filtering ensures that all the harmonics in the transmit signal are attenuated by at least 30 dB.

7.4.9 Transmitter

The encoder begins operation when the Transmit Enable input (TX_EN) goes high and converts NRZ data to pre-emphasized Manchester data for the transceiver. For the duration of TX_EN, the serialized Transmit Data (TXD) is encoded for the transmit-driver pair (PMD Output Pair). TXD must be valid on the rising edge of Transmit Clock (TX_CLK). Transmission ends when TX_EN de-asserts. The last transition is always positive; it occurs at the center of the bit cell if the last bit is a one, or at the end of the bit cell if the last bit is a zero.

7.4.10 Receiver

The decoder consists of a differential receiver and a PLL to separate a Manchester encoded data stream into internal clock signals and data. The differential input must be externally terminated with a differential 100 Ω termination network to accommodate UTP cable.

The decoder detects the end of a frame when no additional mid-bit transitions are detected. Within one and a half bit times after the last bit, carrier sense is de-asserted. Receive clock stays active for five more bit times after CRS goes low, to ensure the receive timings of the controller.

8 Reset Operation

The DP83630 includes an internal power-on reset (POR) function and does not need to be explicitly reset for normal operation after power up. If required during normal operation, the device can be reset by a hardware or software reset.

8.1 HARDWARE RESET

A hardware reset is accomplished by applying a low pulse (TTL level), with a duration of at least 1 μ s, to the RESET_N pin. This will reset the device such that all registers will be reinitialized to default values and the hardware configuration values will be re-latched into the device (similar to the power-up/reset operation).

8.2 FULL SOFTWARE RESET

A full-chip software reset is accomplished by setting the RESET bit (bit 15) of the Basic Mode Control Register (BMCR). The period from the point in time when the reset bit is set to the point in time when software reset has concluded is approximately 1 μ s.

The software reset will reset the device such that all registers will be reset to default values and the hardware configuration values will be maintained. Software driver code must wait 3 μ s following a software reset before allowing further serial MII operations with the DP83630.

8.3 SOFT RESET

A partial software reset can be initiated by setting the SOFT_RESET bit (bit 9) in the PHYCR2 Register. Setting this bit will reset all transmit and receive operations, but will not reset the register space. All register configurations will be preserved. Register space will remain available following a soft reset.

8.4 PTP RESET

The entire PTP function, including the IEEE 1588 clock, associated logic, and PTP register space (with two exceptions), can be reset via the PTP_RESET bit in the PTP_CTL register. The PTP_COC and PTP_CLKSRC registers are not reset in order to preserve the nominal operation of the clock output.

9 Design Guidelines

9.1 TPI NETWORK CIRCUIT

Figure 9-1 shows the recommended circuit for a 10/100 Mb/s twisted pair interface.

Below is a partial list of recommended transformers. It is important that the user realize that variations with PCB and component characteristics requires that the application be tested to ensure that the circuit meets the requirements of the intended application.

Pulse H1102

Pulse H2019

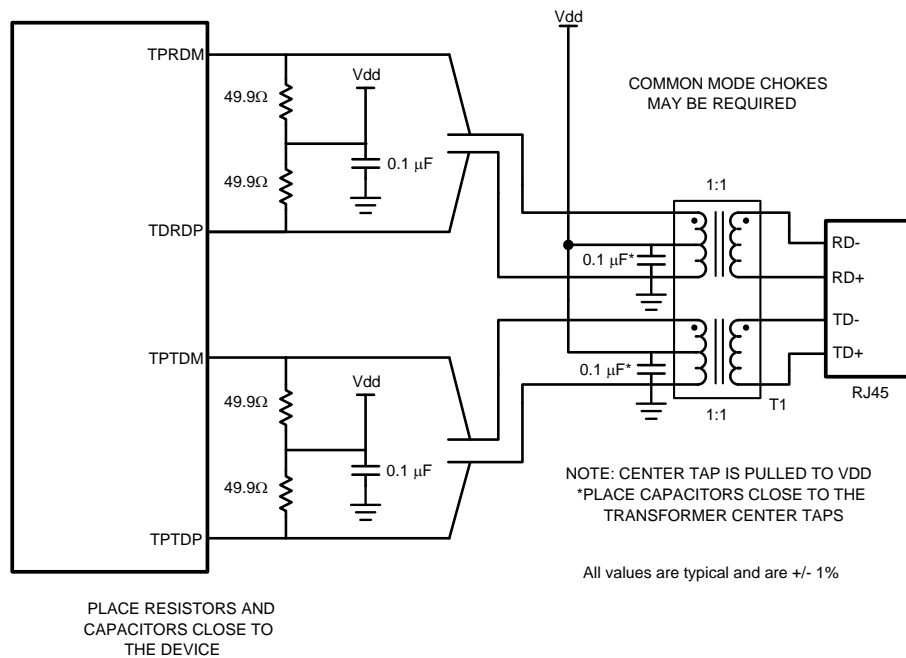


Figure 9-1. 10/100 Mb/s Twisted Pair Interface

9.2 FIBER NETWORK CIRCUIT

Figure 9-2 shows the recommended circuit for a 100 Mb/s fiber pair interface.

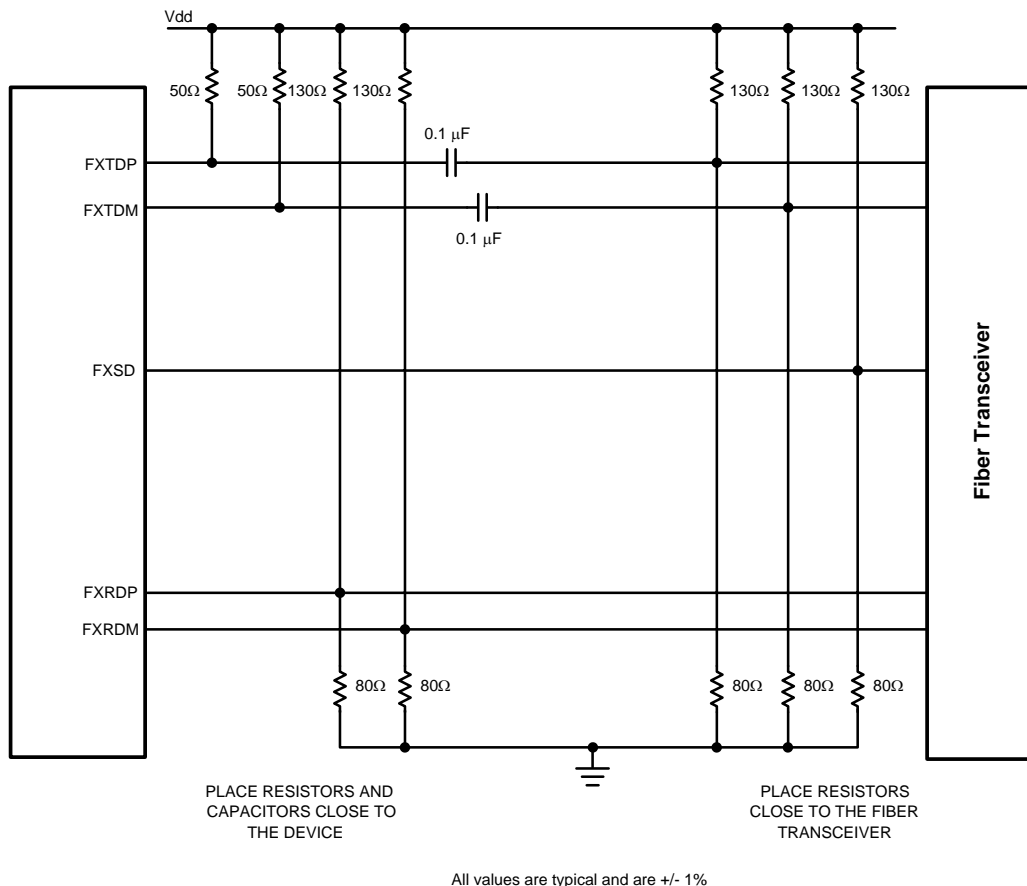


Figure 9-2. 100 Mb/s Fiber Pair Interface

9.3 ESD PROTECTION

Typically, ESD precautions are predominantly in effect when handling the devices or board before being installed in a system. In those cases, strict handling procedures need be implemented during the manufacturing process to greatly reduce the occurrences of catastrophic ESD events. After the system is assembled, internal components are less sensitive from ESD events.

The network interface pins are more susceptible to ESD events.

9.4 CLOCK IN (X1) RECOMMENDATIONS

The DP83630 supports an external CMOS level oscillator source or a crystal resonator device.

Oscillator

If an external clock source is used, X1 should be tied to the clock source and X2 should be left floating.

The CMOS 25 MHz oscillator specifications for MII Mode are listed in [Table 9-1](#). For RMI Slave Mode, the CMOS 50 MHz oscillator specifications are listed in [Table 9-2](#). For RMI Slave mode, it is not recommended that the system clock out, Pin 24, be used as the reference clock to the MAC without first verifying the interface timing. See [SNLA076](#) for more details.

Crystal

A 25 MHz, parallel, 20 pF load crystal resonator should be used if a crystal source is desired. [Figure 9-3](#) shows a typical connection for a crystal resonator circuit. The load capacitor values will vary with the crystal vendors; check with the vendor for the recommended loads.

The oscillator circuit is designed to drive a parallel resonance AT cut crystal with a minimum drive level of 100 μW and a maximum of 500 μW . If a crystal is specified for a lower drive level, a current limiting resistor should be placed in series between X2 and the crystal.

As a starting point for evaluating an oscillator circuit, if the requirements for the crystal are not known, C_{L1} and C_{L2} should be set at 33 pF, and R_1 should be set at 0 Ω .

Specification for 25 MHz crystal are listed in [Table 9-3](#).

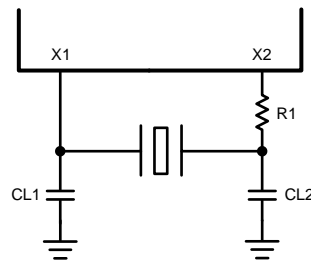


Figure 9-3. Crystal Oscillator Circuit

Table 9-1. 25 MHz Oscillator Specification

| Parameter | Min | Typ | Max | Units | Condition |
|---------------------|-----|-----|--------------------|-------|-------------------------|
| Frequency | | 25 | | MHz | |
| Frequency Tolerance | | | ±50 | ppm | Operational Temperature |
| Frequency Stability | | | ±50 | ppm | 1 year aging |
| Rise / Fall Time | | | 6 | nsec | 20% - 80% |
| Jitter | | | 800 ⁽¹⁾ | psec | Short term |
| Jitter | | | 800 ⁽¹⁾ | psec | Long term |
| Symmetry | 40% | | 60% | | Duty Cycle |

(1) This limit is provided as a guideline for component selection and not ensured by production testing. Refer to [SNLA091](#), "PHYTER 100 Base-TX Reference Clock Jitter Tolerance," for details on jitter performance.

Table 9-2. 50 MHz Oscillator Specification

| Parameter | Min | Typ | Max | Units | Condition |
|---------------------|-----|-----|--------------------|-------|-------------------------|
| Frequency | | 50 | | MHz | |
| Frequency Tolerance | | | ±50 | ppm | Operational Temperature |
| Frequency Stability | | | ±50 | ppm | Operational Temperature |
| Rise / Fall Time | | | 6 | nsec | 20% - 80% |
| Jitter | | | 800 ⁽¹⁾ | psec | Short term |
| Jitter | | | 800 ⁽¹⁾ | psec | Long term |
| Symmetry | 40% | | 60% | | Duty Cycle |

(1) This limit is provided as a guideline for component selection and not ensured by production testing. Refer to [SNLA091](#), "PHYTER 100 Base-TX Reference Clock Jitter Tolerance," for details on jitter performance.

Table 9-3. 25 MHz Crystal Specification

| Parameter | Min | Typ | Max | Units | Condition |
|---------------------|-----|-----|-----|-------|--|
| Frequency | | 25 | | MHz | |
| Frequency Tolerance | | | ±50 | ppm | Operational Temperature |
| Frequency Stability | | | ±50 | ppm | 1 year aging |
| Shunt Capacitance | 25 | | 40 | pF | Range of C _{L1} and C _{L2} |

10 Register Block

Table 10-1. Register Map

| Offset | | Access | Tag | Description |
|--|---------|--------|------------|---|
| Hex | Decimal | | | |
| 00h | 0 | RW | BMCR | Basic Mode Control Register |
| 01h | 1 | RO | BMSR | Basic Mode Status Register |
| 02h | 2 | RO | PHYIDR1 | PHY Identifier Register #1 |
| 03h | 3 | RO | PHYIDR2 | PHY Identifier Register #2 |
| 04h | 4 | RW | ANAR | Auto-Negotiation Advertisement Register |
| 05h | 5 | RW | ANLPAR | Auto-Negotiation Link Partner Ability Register |
| 06h | 6 | RW | ANER | Auto-Negotiation Expansion Register |
| 07h | 7 | RW | ANNPTR | Auto-Negotiation Next Page TX Register |
| 08h-0Fh | 8-15 | | RESERVED | RESERVED |
| 10h | 16 | RO | PHYSTS | PHY Status Register |
| 11h | 17 | RW | MICR | MII Interrupt Control Register |
| 12h | 18 | RW | MISR | MII Interrupt Status and Event Control Register |
| 13h | 19 | RW | PAGESEL | Page Select Register |
| Extended Registers - Page 0 | | | | |
| 14h | 20 | RO | FCSCR | False Carrier Sense Counter Register |
| 15h | 21 | RO | RECR | Receive Error Counter Register |
| 16h | 22 | RW | PCSR | PCS Sub-Layer Configuration and Status Register |
| 17h | 23 | RW | RBR | RMI and Bypass Register |
| 18h | 24 | RW | LEDCR | LED Direct Control Register |
| 19h | 25 | RW | PHYCR | PHY Control Register |
| 1Ah | 26 | RW | 10BTSCR | 10Base-T Status/Control Register |
| 1Bh | 27 | RW | CDCTRL1 | CD Test Control Register and BIST Extensions Register |
| 1Ch | 28 | RW | PHYCR2 | PHY Control Register 2 |
| 1Dh | 29 | RW | EDCR | Energy Detect Control Register |
| 1Eh | 30 | | RESERVED | RESERVED |
| 1Fh | 31 | RW | PCFCR | PHY Control Frames Configuration Register |
| Test Registers - Page 1 | | | | |
| 14h - 1Dh | 20 - 29 | | RESERVED | RESERVED |
| 1Eh | 30 | RW | SD_CNFG | Signal Detect Configuration |
| 1Fh | 31 | | RESERVED | RESERVED |
| Link Diagnostics Registers - Page 2 | | | | |
| 14h | 20 | RO | LEN100_DET | 100 Mb Length Detect Register |
| 15h | 21 | RW | FREQ100 | 100 Mb Frequency Offset Indication Register |
| 16h | 22 | RW | TDR_CTRL | TDR Control Register |
| 17h | 23 | RW | TDR_WIN | TDR Window Register |
| 18h | 24 | RO | TDR_PEAK | TDR Peak Measurement Register |
| 19h | 25 | RO | TDR_THR | TDR Threshold Measurement Register |
| 1Ah | 26 | RW | VAR_CTRL | Variance Control Register |
| 1Bh | 27 | RO | VAR_DAT | Variance Data Register |
| 1Ch | 28 | | RESERVED | RESERVED |
| 1Dh | 29 | RW | LQMR | Link Quality Monitor Register |
| 1Eh | 30 | RW | LQDR | Link Quality Data Register |
| 1Fh | 31 | RW | LQMR2 | Link Quality Monitor Register 2 |
| Reserved Registers - Page 3 | | | | |
| 14h - 1Fh | 20 - 31 | | RESERVED | RESERVED |
| PTP 1588 Base Registers - Page 4 | | | | |
| 14h | 20 | RW | PTP_CTL | PTP Control Register |
| 15h | 21 | RW | PTP_TDR | PTP Time Data Register |
| 16h | 22 | RW | PTP_STS | PTP Status Register |
| 17h | 23 | RW | PTP_TSTS | PTP Trigger Status Register |
| 18h | 24 | RW | PTP_RATEL | PTP Rate Low Register |
| 19h | 25 | RW | PTP_RATEH | PTP Rate High Register |

Table 10-1. Register Map (continued)

| Offset | | Access | Tag | Description |
|--|---------|--------|-------------|--|
| Hex | Decimal | | | |
| 1Ah | 26 | RO | PTP_RDCKSUM | PTP Page 4 Read Checksum |
| 1Bh | 27 | RO | PTP_WRCKSUM | PTP Page 4 Write Checksum |
| 1Ch | 28 | RO | PTP_TXTS | PTP Transmit TimeStamp Register |
| 1Dh | 29 | RO | PTP_RXTS | PTP Receive TimeStamp Register |
| 1Eh | 30 | RO | PTP_ESTS | PTP Event Status Register |
| 1Fh | 31 | RO | PTP_EDATA | PTP Event Data Register |
| PTP 1588 Configuration Registers - Page 5 | | | | |
| 14h | 20 | RW | PTP_TRIG | PTP Trigger Configuration Register |
| 15h | 21 | RW | PTP_EVNT | PTP Event Configuration Register |
| 16h | 22 | RW | PTP_TXCFG0 | PTP Transmit Configuration Register 0 |
| 17h | 23 | RW | PTP_TXCFG1 | PTP Transmit Configuration Register 1 |
| 18h | 24 | RW | PSF_CFG0 | PHY Status Frames Configuration Register 0 |
| 19h | 25 | RW | PTP_RXCFG0 | PTP Receive Configuration Register 0 |
| 1Ah | 26 | RW | PTP_RXCFG1 | PTP Receive Configuration Register 1 |
| 1Bh | 27 | RW | PTP_RXCFG2 | PTP Receive Configuration Register 2 |
| 1Ch | 28 | RW | PTP_RXCFG3 | PTP Receive Configuration Register 3 |
| 1Dh | 29 | RW | PTP_RXCFG4 | PTP Receive Configuration Register 4 |
| 1Eh | 30 | RW | PTP_TRDL | PTP Temporary Rate Duration Low Register |
| 1Fh | 31 | RW | PTP_TRDH | PTP Temporary Rate Duration High Register |
| PTP 1588 Configuration Registers - Page 6 | | | | |
| 14h | 20 | RW | PTP_COC | PTP Clock Output Control Register |
| 15h | 21 | RW | PSF_CFG1 | PHY Status Frames Configuration Register 1 |
| 16h | 22 | RW | PSF_CFG2 | PHY Status Frames Configuration Register 2 |
| 17h | 23 | RW | PSF_CFG3 | PHY Status Frames Configuration Register 3 |
| 18h | 24 | RW | PSF_CFG4 | PHY Status Frames Configuration Register 4 |
| 19h | 25 | RW | PTP_SFDCFG | PTP SFD Configuration Register |
| 1Ah | 26 | RW | PTP_INTCTL | PTP Interrupt Control Register |
| 1Bh | 27 | RW | PTP_CLKSRC | PTP Clock Source Register |
| 1Ch | 28 | RW | PTP_ETR | PTP Ethernet Type Register |
| 1Dh | 29 | RW | PTP_OFF | PTP Offset Register |
| 1Eh | 30 | RO | PTP_GPIOMON | PTP GPIO Monitor Register |
| 1Fh | 31 | RW | PTP_RXHASH | PTP Receive Hash Register |

Table 10-2. Register Table

| Register Name | Addr | Tag | Bit 15 | Bit 14 | Bit 13 | Bit 12 | Bit 11 | Bit 10 | Bit 9 | Bit 8 | Bit 7 | Bit 6 | Bit 5 | Bit 4 | Bit 3 | Bit 2 | Bit 1 | Bit 0 | |
|--|--------|----------|----------------|----------------|-----------------|------------------------|---------------------|---------------|--------------------|--------------------|------------------------|----------------------|-------------------|--------------------|--------------------|--------------------|--------------------------|--------------------------|--------------|
| Basic Mode Control Register | 00h | BMCRCR | Reset | Loopback | Speed Selection | Auto-Neg Enable | Power Down | Isolate | Restart Auto-Neg | Duplex Mode | Collision Test | Reserved | Reserved | Reserved | Reserved | Reserved | Reserved | Reserved | |
| Basic Mode Status Register | 01h | BMSR | 100Base-T4 | 100Base-TX FDX | 100Base-TX HDX | 10Base-T FDX | 10Base-T HDX | Reserved | Reserved | Reserved | Unidirectional Ability | MF Preamble Suppress | Auto-Neg Complete | Remote Fault | Auto-Neg Ability | Link Status | Jabber Detect | Extended Capability | |
| PHY Identifier Register #1 | 02h | PHYIDR1 | OUI MSB | OUI MSB | OUI MSB | OUI MSB | OUI MSB | OUI MSB | OUI MSB | OUI MSB | OUI MSB | OUI MSB | OUI MSB | OUI MSB | OUI MSB | OUI MSB | OUI MSB | OUI MSB | |
| PHY Identifier Register #2 | 03h | PHYIDR2 | OUI LSB | OUI LSB | OUI LSB | OUI LSB | OUI LSB | OUI LSB | VNDR_MDL | VNDR_MDL | VNDR_MDL | VNDR_MDL | VNDR_MDL | VNDR_MDL | MDL_REV | MDL_REV | MDL_REV | MDL_REV | |
| Auto-Negotiation Advertisement Register | 04h | ANAR | Next Page Ind | Reserved | Remote Fault | Reserved | ASM_DIR | PAUSE | T4 | TX_FD | TX | 10_FD | 10 | Protocol Selection | Protocol Selection | Protocol Selection | Protocol Selection | Protocol Selection | |
| Auto-Negotiation Link Partner Ability Register (Base Page) | 05h | ANLPAR | Next Page Ind | ACK | Remote Fault | Reserved | ASM_DIR | PAUSE | T4 | TX_FD | TX | 10_FD | 10 | Protocol Selection | Protocol Selection | Protocol Selection | Protocol Selection | Protocol Selection | |
| Auto-Negotiation Link Partner Ability Register Next Page | 05h | ANLPARNP | Next Page Ind | ACK | Message Page | ACK2 | Toggle | Code | Code | Code | Code | Code | Code | Code | Code | Code | Code | Code | |
| Auto-Negotiation Expansion Register | 06h | ANER | Reserved | Reserved | Reserved | Reserved | Reserved | Reserved | Reserved | Reserved | Reserved | Reserved | Reserved | PDF | LP_NP_ABLE | NP_ABLE | PAGE_RX | LP_AN_ABLE | |
| Auto-Negotiation Next Page TX Register | 07h | ANNPTR | Next Page Ind | Reserved | Message Page | ACK2 | TOG_TX | CODE | CODE | CODE | CODE | CODE | CODE | CODE | CODE | CODE | CODE | CODE | |
| RESERVED | 08-0fh | Reserved | Reserved | Reserved | Reserved | Reserved | Reserved | Reserved | Reserved | Reserved | Reserved | Reserved | Reserved | Reserved | Reserved | Reserved | Reserved | Reserved | |
| PHY Status Register | 10h | PHYSTS | Reserved | MDIX mode | Rx Err Latch | Polarity Status | False Carrier Sense | Signal Detect | Descrambler Lock | Page Receive | MII Interrupt | Remote Fault | Jabber Detect | Auto-Neg Complete | Loopback Status | Duplex Status | Speed Status | Link Status | |
| MII Interrupt Control Register | 11h | MICR | Reserved | Reserved | Reserved | Reserved | Reserved | Reserved | Reserved | Reserved | Reserved | Reserved | Reserved | Reserved | Reserved | PTP_INT_SEL | TINT | INTEN | INT_OE |
| MII Interrupt Status and Misc. Control Register | 12h | MISR | LQ_INT | ED_INT | LINK_INT | SPD_INT or SPD_DUP_INT | DUP_INT or PTP_INT | ANC_INT | FHF_INT or CTR_INT | RHF_INT or PCF_INT | LQ_INT_EN | ED_INT_EN | LINK_INT_EN | SPED_INT_EN | DUP_INT_EN | ANC_INT_EN | FHF_INT_EN or CTR_INT_EN | RHF_INT_EN or PCF_INT_EN | |
| Page Select Register | 13h | Reserved | Reserved | Reserved | Reserved | Reserved | Reserved | Reserved | Reserved | Reserved | Reserved | Reserved | Reserved | Reserved | Reserved | Reserved | Page_Sel Bit | Page_Sel Bit | Page_Sel Bit |
| EXTENDED REGISTERS - PAGE 0 | | | | | | | | | | | | | | | | | | | |
| False Carrier Sense Counter Register | 14h | FCSCR | Reserved | Reserved | Reserved | Reserved | Reserved | Reserved | Reserved | Reserved | FCSCNT | FCSCNT | FCSCNT | FCSCNT | FCSCNT | FCSCNT | FCSCNT | FCSCNT | |
| Receive Error Counter Register | 15h | RECR | Reserved | Reserved | Reserved | Reserved | Reserved | Reserved | Reserved | Reserved | RXERCNT | RXERCNT | RXERCNT | RXERCNT | RXERCNT | RXERCNT | RXERCNT | RXERCNT | |
| PCS Sub-Layer Configuration and Status Register | 16h | PCSR | AUTO_CROSSOVER | Reserved | Reserved | Reserved | FREE_CLK | TQ_EN | SD_FORCE_PMA | SD_OPTION | DESC_TIME | FX_EN | FORCE_100_OK | Reserved | FEFI_EN | NRZI_BYPASS | SCRAM_BYPASS | DE_SCRAMPASS | |
| RMI and Bypass Register | 17h | RBR | Reserved | RMI_MASTER | DIS_TX_OPT | RX_PORT | RX_PORT | TX_SOURCE | TX_SOURCE | PMD_LOOP | SCMII_RX | SCMII_TX | RMI_MODE | RMI_REV_1_0 | RX_OVF_STS | RX_UNFSTS | ELAST_BUF | ELAST_BUF | |

Table 10-2. Register Table (continued)

| Register Name | Addr | Tag | Bit 15 | Bit 14 | Bit 13 | Bit 12 | Bit 11 | Bit 10 | Bit 9 | Bit 8 | Bit 7 | Bit 6 | Bit 5 | Bit 4 | Bit 3 | Bit 2 | Bit 1 | Bit 0 | |
|--|---------|------------|------------------|------------------|------------------|------------------|------------------|------------------|------------------|------------------|---------------|---------------|---------------|---------------|---------------|-----------------|---------------|---------------|---------------|
| LED Direct Control Register | 18h | LEDCR | Reserved | Reserved | Reserved | Reserved | DIS_SPDLED | DIS_LNKLED | DIS_ACTLED | LEDACT_RX | BLINK_FR EQ | BLINK_FR EQ | DRV_SPDLED | DRV_LNKLED | DRV_ACTLED | SPDLED | LNKLED | ACTLED | |
| PHY Control Register | 19h | PHYCR | MDIX_EN | FORCE_MDIX | PAUSE_RX | PAUSE_TX | BIST_FE | PSR_15 | BIST_STATUS | BIST_START | BP_STRETCH | LED_CNFG[1] | LED_CNFG[0] | PHY_ADDR | PHY_ADDR | PHY_ADDR | PHY_ADDR | PHY_ADDR | |
| 10Base-T Status/Control Register | 1Ah | 10BTSCR | Reserved | Reserved | Reserved | Reserved | SQUELCH | SQUELCH | SQUELCH | LOOPBACK_10_DIS | LP_DIS | FORCE_LINK_10 | FORCE_POLCOR | POLARITY | AUTOPOL_DIRS | 10BT_SCALED_MSB | HEARTBEAT_DIS | JABBER_DIS | |
| CD Test Control and BIST Extensions Register | 1Bh | CDCTRL1 | BIST_ERROR_COUNT | BIST_ERROR_COUNT | BIST_ERROR_COUNT | BIST_ERROR_COUNT | BIST_ERROR_COUNT | BIST_ERROR_COUNT | BIST_ERROR_COUNT | BIST_ERROR_COUNT | Reserved | MII_CLOCK_EN | BIST_CONT | CDPATTE_N_10 | MDIO_PULLEN | PATT_GAP_10M | CDPATTSSEL | CDPATTSSEL | |
| PHY Control Register 2 | 1Ch | PHYCR2 | Reserved | Reserved | SYNC_EN ET_EN | CLK_OUT_RXCLK | BC_WRITE | PHYTER_COMP | SOFT_RESET | Reserved | Reserved | Reserved | Reserved | Reserved | Reserved | Reserved | Reserved | CLK_OUT_DIRS | Reserved |
| Energy Detect Control Register | 1Dh | EDCR | ED_EN | ED_AUTO_UP | ED_AUTO_DOWN | ED_MAN | ED_BURST_DIS | ED_PWR_STATE | ED_ERR_MET | ED_DATA_MET | ED_ERR_COUNT | ED_ERR_COUNT | ED_ERR_COUNT | ED_ERR_COUNT | ED_DATA_COUNT | ED_DATA_COUNT | ED_DATA_COUNT | ED_DATA_COUNT | ED_DATA_COUNT |
| RESERVED | 1Eh | Reserved | Reserved | Reserved | Reserved | Reserved | Reserved | Reserved | Reserved | Reserved | Reserved | Reserved | Reserved | Reserved | Reserved | Reserved | Reserved | Reserved | Reserved |
| PHY Control Frames Configuration Register | 1Fh | PCFCR | PCF_STS_ERR | PCF_STS_OK | Reserved | Reserved | Reserved | Reserved | Reserved | Reserved | PCF_DATA_SEL | PCF_INT_CTL | PCF_INT_CTL | PCF_BC_DIS | PCF_BUF | PCF_BUF | PCF_BUF | PCF_BUF | PCF_EN |
| TEST REGISTERS - PAGE 1 | | | | | | | | | | | | | | | | | | | |
| RESERVED | 14h-1Dh | Reserved | Reserved | Reserved | Reserved | Reserved | Reserved | Reserved | Reserved | Reserved | Reserved | Reserved | Reserved | Reserved | Reserved | Reserved | Reserved | Reserved | Reserved |
| Signal Detect Configuration Register | 1Eh | SD_CNFG | Reserved | Reserved | Reserved | Reserved | Reserved | Reserved | Reserved | SD_Time | Reserved | Reserved | Reserved | Reserved | Reserved | Reserved | Reserved | Reserved | Reserved |
| RESERVED | 1Fh | Reserved | Reserved | Reserved | Reserved | Reserved | Reserved | Reserved | Reserved | Reserved | Reserved | Reserved | Reserved | Reserved | Reserved | Reserved | Reserved | Reserved | Reserved |
| LINK DIAGNOSTICS REGISTERS - PAGE 2 | | | | | | | | | | | | | | | | | | | |
| 100 Mb Length Detect Register | 14h | LEN100_DET | Reserved | Reserved | Reserved | Reserved | Reserved | Reserved | Reserved | Reserved | CABLE_LEN | CABLE_LEN | CABLE_LEN | CABLE_LEN | CABLE_LEN | CABLE_LEN | CABLE_LEN | CABLE_LEN | CABLE_LEN |
| 100 Mb Frequency Offset Indication Register | 15h | FREQ100 | SAMPLE_FREQ | Reserved | Reserved | Reserved | Reserved | Reserved | Reserved | SEL_FC | FREQ_OF FSET | FREQ_OF FSET | FREQ_OF FSET | FREQ_OF FSET | FREQ_OF FSET | FREQ_OF FSET | FREQ_OF FSET | FREQ_OF FSET | FREQ_OF FSET |
| TDR Control Register | 16h | TDR_CTRL | TDR_ENABLE | TDR_100Mb | TX_CHAN_NEL | RX_CHAN_NEL | SEND_TDR | TDR_WIDTH | TDR_WIDTH | TDR_WIDTH | TDR_MIN_MODE | Reserved | RX_THRESH_OLD | RX_THRESH_OLD | RX_THRESH_OLD | RX_THRESH_OLD | RX_THRESH_OLD | RX_THRESH_OLD | RX_THRESH_OLD |
| TDR Window Register | 17h | TDR_WIN | TDR_START | TDR_START | TDR_START | TDR_START | TDR_START | TDR_START | TDR_START | TDR_START | TDR_STOP | TDR_STOP | TDR_STOP | TDR_STOP | TDR_STOP | TDR_STOP | TDR_STOP | TDR_STOP | TDR_STOP |
| TDR Peak Measurement Register | 18h | TDR_PEAK | Reserved | Reserved | TDR_PEAK | TDR_PEAK | TDR_PEAK | TDR_PEAK | TDR_PEAK | TDR_PEAK | TDR_PEAK_TIME | TDR_PEAK_TIME | TDR_PEAK_TIME | TDR_PEAK_TIME | TDR_PEAK_TIME | TDR_PEAK_TIME | TDR_PEAK_TIME | TDR_PEAK_TIME | TDR_PEAK_TIME |
| TDR Threshold Measurement Register | 19h | TDR_THR | Reserved | Reserved | Reserved | Reserved | Reserved | Reserved | Reserved | TDR_THR_MET | TDR_THR_TIME | TDR_THR_TIME | TDR_THR_TIME | TDR_THR_TIME | TDR_THR_TIME | TDR_THR_TIME | TDR_THR_TIME | TDR_THR_TIME | TDR_THR_TIME |
| Variance Control Register | 1Ah | VAR_CTRL | VAR_RDY | Reserved | Reserved | Reserved | Reserved | Reserved | Reserved | Reserved | Reserved | Reserved | LOAD_VAR_HI | LOAD_VAR_LO | VAR_FREEZE | VAR_TIMER | VAR_TIMER | VAR_ENABLE | |
| Variance Data Register | 1Bh | VAR_DATA | VAR_DATA | VAR_DATA | VAR_DATA | VAR_DATA | VAR_DATA | VAR_DATA | VAR_DATA | VAR_DATA | VAR_DATA | VAR_DATA | VAR_DATA | VAR_DATA | VAR_DATA | VAR_DATA | VAR_DATA | VAR_DATA | VAR_DATA |
| Reserved | 1Ch | Reserved | Reserved | Reserved | Reserved | Reserved | Reserved | Reserved | Reserved | Reserved | Reserved | Reserved | Reserved | Reserved | Reserved | Reserved | Reserved | Reserved | Reserved |
| Link Quality Monitor Register | 1Dh | LQMR | LQM_ENABLE | RESTART_ON_FC | RESTART_ON_FREQ | RESTART_ON_DBLW | RESTART_ON_DAGC | RESTART_ON_C1 | FC_HI_WARN | FC_LO_WARN | FREQ_HI_WARN | FREQ_LO_WARN | DBLW_HI_WARN | DBLW_LO_WARN | DAGC_HI_WARN | DAGC_LO_WARN | C1_HI_WARN | C1_LO_WARN | |

Table 10-2. Register Table (continued)

| Register Name | Addr | Tag | Bit 15 | Bit 14 | Bit 13 | Bit 12 | Bit 11 | Bit 10 | Bit 9 | Bit 8 | Bit 7 | Bit 6 | Bit 5 | Bit 4 | Bit 3 | Bit 2 | Bit 1 | Bit 0 |
|--|---------|--------------|--------------|--------------|---------------|--------------|--------------|----------------|--------------|--------------|-------------|--------------|-------------|--------------|--------------|--------------|-------------|--------------|
| Link Quality Data Register | 1Eh | LQDR | Reserved | Reserved | SAMPLE_PARAM | WRITE_LQ_THR | LQ_PARAM_SEL | LQ_PARAM_SEL | LQ_PARAM_SEL | LQ_THR_SEL | LQ_THR_DATA | LQ_THR_DATA | LQ_THR_DATA | LQ_THR_DATA | LQ_THR_DATA | LQ_THR_DATA | LQ_THR_DATA | LQ_THR_DATA |
| Link Quality Monitor Register 2 | 1Fh | LQMR2 | Reserved | Reserved | Reserved | Reserved | Reserved | RESTART_ON_VAR | Reserved | Reserved | Reserved | Reserved | Reserved | Reserved | Reserved | Reserved | VAR_HI_WARN | Reserved |
| RESERVED REGISTERS - PAGE 3 | | | | | | | | | | | | | | | | | | |
| RESERVED | 14h-1Fh | Reserved | Reserved | Reserved | Reserved | Reserved | Reserved | Reserved | Reserved | Reserved | Reserved | Reserved | Reserved | Reserved | Reserved | Reserved | Reserved | Reserved |
| PTP 1588 BASE REGISTERS - PAGE 4 | | | | | | | | | | | | | | | | | | |
| PTP Control Register | 14h | PTP_CTL | Reserved | Reserved | Reserved | TRIG_SEL | TRIG_SEL | TRIG_SEL | TRIG_DIS | TRIG_EN | TRIG_READ | TRIG_LOAD | PTP_RD_CLK | PTP_LOAD_CLK | PTP_STEP_CLK | PTP_ENABLE | PTP_DISABLE | PTP_RESET |
| PTP Time Data Register | 15h | PTP_TDR | TIME_DATA | TIME_DATA | TIME_DATA | TIME_DATA | TIME_DATA | TIME_DATA | TIME_DATA | TIME_DATA | TIME_DATA | TIME_DATA | TIME_DATA | TIME_DATA | TIME_DATA | TIME_DATA | TIME_DATA | TIME_DATA |
| PTP Status Register | 16h | PTP_STS | Reserved | Reserved | Reserved | Reserved | TXTS_RDY | RXTS_RDY | TRIG_DONE | EVENT_RDY | Reserved | Reserved | Reserved | Reserved | TXTS_IE | RXTS_IE | TRIG_IE | EVENT_IE |
| PTP Trigger Status Register | 17h | PTP_TSTS | TRIG7_ERROR | TRIG7_ACTIVE | TRIG6_ERROR | TRIG6_ACTIVE | TRIG5_ERROR | TRIG5_ACTIVE | TRIG4_ERROR | TRIG4_ACTIVE | TRIG3_ERROR | TRIG3_ACTIVE | TRIG2_ERROR | TRIG2_ACTIVE | TRIG1_ERROR | TRIG1_ACTIVE | TRIG0_ERROR | TRIG0_ACTIVE |
| PTP Rate Low Register | 18h | PTP_RATE_L | PTP_Rate_Lo | PTP_Rate_Lo | PTP_Rate_Lo | PTP_Rate_Lo | PTP_Rate_Lo | PTP_Rate_Lo | PTP_Rate_Lo | PTP_Rate_Lo | PTP_Rate_Lo | PTP_Rate_Lo | PTP_Rate_Lo | PTP_Rate_Lo | PTP_Rate_Lo | PTP_Rate_Lo | PTP_Rate_Lo | PTP_Rate_Lo |
| PTP Rate High Register | 19h | PTP_RATE_H | PTP_RATE_DIR | PTP_TMP_RATE | Reserved | Reserved | Reserved | Reserved | PTP_Rate_Hi | PTP_Rate_Hi | PTP_Rate_Hi | PTP_Rate_Hi | PTP_Rate_Hi | PTP_Rate_Hi | PTP_Rate_Hi | PTP_Rate_Hi | PTP_Rate_Hi | PTP_Rate_Hi |
| PTP Page 4 Read Checksum | 1Ah | PTP_RDC_KSUM | RD_CKSUM | RD_CKSUM | RD_CKSUM | RD_CKSUM | RD_CKSUM | RD_CKSUM | RD_CKSUM | RD_CKSUM | RD_CKSUM | RD_CKSUM | RD_CKSUM | RD_CKSUM | RD_CKSUM | RD_CKSUM | RD_CKSUM | RD_CKSUM |
| PTP Page 4 Write Checksum | 1Bh | PTP_WRC_KSUM | WR_CKSUM | WR_CKSUM | WR_CKSUM | WR_CKSUM | WR_CKSUM | WR_CKSUM | WR_CKSUM | WR_CKSUM | WR_CKSUM | WR_CKSUM | WR_CKSUM | WR_CKSUM | WR_CKSUM | WR_CKSUM | WR_CKSUM | WR_CKSUM |
| PTP Transmit TimeStamp Register | 1Ch | PTP_TXTS | PTP_TX_TS | PTP_TX_TS | PTP_TX_TS | PTP_TX_TS | PTP_TX_TS | PTP_TX_TS | PTP_TX_TS | PTP_TX_TS | PTP_TX_TS | PTP_TX_TS | PTP_TX_TS | PTP_TX_TS | PTP_TX_TS | PTP_TX_TS | PTP_TX_TS | PTP_TX_TS |
| PTP Receive TimeStamp Register | 1Dh | PTP_RXTS | PTP_RX_TS | PTP_RX_TS | PTP_RX_TS | PTP_RX_TS | PTP_RX_TS | PTP_RX_TS | PTP_RX_TS | PTP_RX_TS | PTP_RX_TS | PTP_RX_TS | PTP_RX_TS | PTP_RX_TS | PTP_RX_TS | PTP_RX_TS | PTP_RX_TS | PTP_RX_TS |
| PTP Event Status Register | 1Eh | PTP_ESTS | Reserved | Reserved | Reserved | Reserved | Reserved | EVNTS_MISSED | EVNTS_MISSED | EVNTS_MISSED | EVNT_TS_LEN | EVNT_TS_LEN | EVNT_RF | EVNT_NUM | EVNT_NUM | EVNT_NUM | MULT_EVNT | EVENT_DET |
| PTP Event Data Register Status | 1Fh | PTP_EDAT_A | E7_RISE | E7_DET | E6_RISE | E6_DET | E5_RISE | E5_DET | E4_RISE | E4_DET | E3_RISE | E3_DET | E2_RISE | E2_DET | E1_RISE | E1_DET | E0_RISE | E0_DET |
| PTP Event Data Register Timestamp | 1Fh | PTP_EDAT_A | PTP_EVNT_TS | PTP_EVNT_TS | PTP_EVNT_TS | PTP_EVNT_TS | PTP_EVNT_TS | PTP_EVNT_TS | PTP_EVNT_TS | PTP_EVNT_TS | PTP_EVNT_TS | PTP_EVNT_TS | PTP_EVNT_TS | PTP_EVNT_TS | PTP_EVNT_TS | PTP_EVNT_TS | PTP_EVNT_TS | PTP_EVNT_TS |
| PTP 1588 CONFIGURATION REGISTERS - PAGE 5 | | | | | | | | | | | | | | | | | | |
| PTP Trigger Configuration Register | 14h | PTP_TRIG | TRIG_PULSE | TRIG_PERIOD | TRIG_IF_LATCH | TRIG_NOTIFY | TRIG_GPIO | TRIG_GPIO | TRIG_GPIO | TRIG_GPIO | TRIG_TOGGLE | Reserved | Reserved | Reserved | TRIG_CSEL | TRIG_CSEL | TRIG_CSEL | TRIG_WR |
| PTP Event Configuration Register | 15h | PTP_EVNT | Reserved | EVNT_RISE | EVNT_FALL | Reserved | EVNT_GPIO | EVNT_GPIO | EVNT_GPIO | EVNT_GPIO | Reserved | Reserved | Reserved | Reserved | EVNT_SEL | EVNT_SEL | EVNT_SEL | EVNT_WR |
| PTP Transmit Configuration Register 0 | 16h | PTP_TXCF_G0 | SYNC_1STEP | Reserved | DR_INSERT | Reserved | RESERVE_D1 | CRC_1STEP | CHK_1STEP | IP1588_EN | TX_L2_EN | TX_IPV6_EN | TX_IPV4_EN | TX_PTP_VER | TX_PTP_VER | TX_PTP_VER | TX_PTP_VER | TX_TS_EN |
| PTP Transmit Configuration Register 1 | 17h | PTP_TXCF_G1 | BYTE0_MASK | BYTE0_MASK | BYTE0_MASK | BYTE0_MASK | BYTE0_MASK | BYTE0_MASK | BYTE0_MASK | BYTE0_MASK | BYTE0_MASK | BYTE0_DATA | BYTE0_DATA | BYTE0_DATA | BYTE0_DATA | BYTE0_DATA | BYTE0_DATA | BYTE0_DATA |

Table 10-2. Register Table (continued)

| Register Name | Addr | Tag | Bit 15 | Bit 14 | Bit 13 | Bit 12 | Bit 11 | Bit 10 | Bit 9 | Bit 8 | Bit 7 | Bit 6 | Bit 5 | Bit 4 | Bit 3 | Bit 2 | Bit 1 | Bit 0 |
|--|------|------------|---------------|----------------|---------------------|--------------|--------------|--------------|--------------|--------------|-------------------|-------------------|-------------------|-------------------|--------------|--------------|--------------|--------------|
| PHY Status Frame Configuration Register 0 | 18h | PSF_CFG0 | Reserved | Reserved | Reserved | MAC_SRC_ADD | MAC_SRC_ADD | MIN_PRE | MIN_PRE | MIN_PRE | PSF_ENDIAN | PSF_IPV4 | PSF_PCF_RD | PSF_ERR_EN | PSF_TXTS_EN | PSF_RXTS_EN | PSF_TRIG_EN | PSF_EVTN_EN |
| PTP Receive Configuration Register 0 | 19h | PTP_RXCFG0 | DOMAIN_EN | Reserved | USER_IP_SEL | USER_IP_EN | RX_SLAVE | IP1588_EN | IP1588_EN | IP1588_EN | RX_L2_EN | RX_IPV6_EN | RX_IPV4_EN | RX_PTP_VER | RX_PTP_VER | RX_PTP_VER | RX_PTP_VER | RX_TS_EN |
| PTP Receive Configuration Register 1 | 1Ah | PTP_RXCFG1 | BYTE0_MASK | BYTE0_MASK | BYTE0_MASK | BYTE0_MASK | BYTE0_MASK | BYTE0_MASK | BYTE0_MASK | BYTE0_MASK | BYTE0_DATA | BYTE0_DATA | BYTE0_DATA | BYTE0_DATA | BYTE0_DATA | BYTE0_DATA | BYTE0_DATA | BYTE0_DATA |
| PTP Receive Configuration Register 2 | 1Bh | PTP_RXCFG2 | IP_ADDR_DATA | IP_ADDR_DATA | IP_ADDR_DATA | IP_ADDR_DATA | IP_ADDR_DATA | IP_ADDR_DATA | IP_ADDR_DATA | IP_ADDR_DATA | IP_ADDR_DATA | IP_ADDR_DATA | IP_ADDR_DATA | IP_ADDR_DATA | IP_ADDR_DATA | IP_ADDR_DATA | IP_ADDR_DATA | IP_ADDR_DATA |
| PTP Receive Configuration Register 3 | 1Ch | PTP_RXCFG3 | TS_MIN_IFG | TS_MIN_IFG | TS_MIN_IFG | TS_MIN_IFG | ACC_UDP | ACC_CRC | TS_APPEND | TS_INSERT | PTP_DOMAIN | PTP_DOMAIN | PTP_DOMAIN | PTP_DOMAIN | PTP_DOMAIN | PTP_DOMAIN | PTP_DOMAIN | PTP_DOMAIN |
| PTP Receive Configuration Register 4 | 1Dh | PTP_RXCFG4 | IPV4_UDP_MOD | TS_SEC_EN | TS_SEC_EN | TS_SEC_EN | RXTS_NS_OFF | RXTS_NS_OFF | RXTS_NS_OFF | RXTS_NS_OFF | RXTS_NS_OFF | RXTS_NS_OFF | RXTS_NS_OFF | RXTS_SEC_OFF | RXTS_SEC_OFF | RXTS_SEC_OFF | RXTS_SEC_OFF | RXTS_SEC_OFF |
| PTP Temporary Rate Duration Low Register | 1Eh | PTP_TRDL | PTP_TR_URL | PTP_TR_URL | PTP_TR_URL | PTP_TR_URL | PTP_TR_URL | PTP_TR_URL | PTP_TR_URL | PTP_TR_URL | PTP_TR_URL | PTP_TR_URL | PTP_TR_URL | PTP_TR_URL | PTP_TR_URL | PTP_TR_URL | PTP_TR_URL | PTP_TR_URL |
| PTP Temporary Rate Duration High Register | 1Fh | PTP_TRDH | Reserved | Reserved | Reserved | Reserved | Reserved | Reserved | PTP_TR_URH | PTP_TR_URH | PTP_TR_URH | PTP_TR_URH | PTP_TR_URH | PTP_TR_URH | PTP_TR_URH | PTP_TR_URH | PTP_TR_URH | PTP_TR_URH |
| PTP 1588 CONFIGURATION REGISTERS - PAGE 6 | | | | | | | | | | | | | | | | | | |
| PTP Clock Output Control Register | 14h | PTP_COC | PTP_CLKOUT_EN | PTP_CLKOUT_SEL | PTP_CLKOUT_SPEEDSEL | Reserved | Reserved | Reserved | Reserved | Reserved | PTP_CLKDIV | PTP_CLKDIV | PTP_CLKDIV | PTP_CLKDIV | PTP_CLKDIV | PTP_CLKDIV | PTP_CLKDIV | PTP_CLKDIV |
| PHY Status Frame Configuration Register 1 | 15h | PSF_CFG1 | PTPRESERVED | PTPRESERVED | PTPRESERVED | PTPRESERVED | VERSIONPT | VERSIONPT | VERSIONPT | VERSIONPT | TRANSPORTSPECIFIC | TRANSPORTSPECIFIC | TRANSPORTSPECIFIC | TRANSPORTSPECIFIC | MESSAGEYPE | MESSAGEYPE | MESSAGEYPE | MESSAGEYPE |
| Status Frame Configuration Register 2 | 16h | PSF_CFG2 | IP_SA_BYTE1 | IP_SA_BYTE1 | IP_SA_BYTE1 | IP_SA_BYTE1 | IP_SA_BYTE1 | IP_SA_BYTE1 | IP_SA_BYTE1 | IP_SA_BYTE1 | IP_SA_BYTE0 | IP_SA_BYTE0 | IP_SA_BYTE0 | IP_SA_BYTE0 | IP_SA_BYTE0 | IP_SA_BYTE0 | IP_SA_BYTE0 | IP_SA_BYTE0 |
| Status Frame Configuration Register 3 | 17h | PSF_CFG3 | IP_SA_BYTE3 | IP_SA_BYTE3 | IP_SA_BYTE3 | IP_SA_BYTE3 | IP_SA_BYTE3 | IP_SA_BYTE3 | IP_SA_BYTE3 | IP_SA_BYTE3 | IP_SA_BYTE2 | IP_SA_BYTE2 | IP_SA_BYTE2 | IP_SA_BYTE2 | IP_SA_BYTE2 | IP_SA_BYTE2 | IP_SA_BYTE2 | IP_SA_BYTE2 |
| Status Frame Configuration Register 4 | 18h | PSF_CFG4 | IP_CHKSUM | IP_CHKSUM | IP_CHKSUM | IP_CHKSUM | IP_CHKSUM | IP_CHKSUM | IP_CHKSUM | IP_CHKSUM | IP_CHKSUM | IP_CHKSUM | IP_CHKSUM | IP_CHKSUM | IP_CHKSUM | IP_CHKSUM | IP_CHKSUM | IP_CHKSUM |
| PTP SFD Configuration Register | 19h | PTP_SFDCFG | Reserved | Reserved | Reserved | Reserved | Reserved | Reserved | Reserved | Reserved | TX_SFD_GPI | TX_SFD_GPI | TX_SFD_GPI | TX_SFD_GPI | RX_SFD_GPI | RX_SFD_GPI | RX_SFD_GPI | RX_SFD_GPI |
| PTP Interrupt Control Register | 1Ah | PTP_INTCTL | Reserved | Reserved | Reserved | Reserved | Reserved | Reserved | Reserved | Reserved | Reserved | Reserved | Reserved | Reserved | PTP_INT_GPIO | PTP_INT_GPIO | PTP_INT_GPIO | PTP_INT_GPIO |
| PTP Clock Source Register | 1Bh | PTP_CLKSRC | CLK_SRC | CLK_SRC | Reserved | Reserved | Reserved | Reserved | Reserved | Reserved | Reserved | CLK_SRC_PER | CLK_SRC_PER | CLK_SRC_PER | CLK_SRC_PER | CLK_SRC_PER | CLK_SRC_PER | CLK_SRC_PER |
| PTP Ethernet Type Register | 1Ch | PTP_ETR | PTP_ETYPE | PTP_ETYPE | PTP_ETYPE | PTP_ETYPE | PTP_ETYPE | PTP_ETYPE | PTP_ETYPE | PTP_ETYPE | PTP_ETYPE | PTP_ETYPE | PTP_ETYPE | PTP_ETYPE | PTP_ETYPE | PTP_ETYPE | PTP_ETYPE | PTP_ETYPE |
| PTP Offset Register | 1Dh | PTP_OFF | Reserved | Reserved | Reserved | Reserved | Reserved | Reserved | Reserved | Reserved | PTP_OFFSET | PTP_OFFSET | PTP_OFFSET | PTP_OFFSET | PTP_OFFSET | PTP_OFFSET | PTP_OFFSET | PTP_OFFSET |

Table 10-2. Register Table (continued)

| Register Name | Addr | Tag | Bit 15 | Bit 14 | Bit 13 | Bit 12 | Bit 11 | Bit 10 | Bit 9 | Bit 8 | Bit 7 | Bit 6 | Bit 5 | Bit 4 | Bit 3 | Bit 2 | Bit 1 | Bit 0 |
|---------------------------|------|--------------|----------|----------|----------|------------|-------------|-------------|-------------|-------------|-------------|-------------|-------------|-------------|-------------|-------------|-------------|-------------|
| PTP GPIO Monitor Register | 1Eh | PTP_GPIO_MON | Reserved | Reserved | Reserved | Reserved | PTP_GPIO_IN | PTP_GPIO_IN | PTP_GPIO_IN | PTP_GPIO_IN | PTP_GPIO_IN | PTP_GPIO_IN | PTP_GPIO_IN | PTP_GPIO_IN | PTP_GPIO_IN | PTP_GPIO_IN | PTP_GPIO_IN | PTP_GPIO_IN |
| PTP Receive Hash Register | 1Fh | PTP_RXHASH | Reserved | Reserved | Reserved | RX_HASH_EN | PTP_RXHASH | PTP_RXHASH | PTP_RXHASH | PTP_RXHASH | PTP_RXHASH | PTP_RXHASH | PTP_RXHASH | PTP_RXHASH | PTP_RXHASH | PTP_RXHASH | PTP_RXHASH | PTP_RXHASH |

10.1 REGISTER DEFINITION

In the register definitions under the 'Default' heading, the following definitions hold true:

- **RW** = Read Write access
- **SC** = Register sets on event occurrence and **Self-Clears** when event ends
- **RW/SC** = ReadWrite access/**Self Clearing** bit
- **RO** = Read Only access
- **COR** = Clear On Read
- **RO/COR** = Read Only, Clear On Read
- **RO/P** = Read Only, Permanently set to a default value
- **LL** = Latched Low and held until read, based upon the occurrence of the corresponding event
- **LH** = Latched High and held until read, based upon the occurrence of the corresponding event

10.1.1 Basic Mode Control Register (BMCR)

Table 10-3. Basic Mode Control Register (BMCR), address 0x00

| Bit | Bit Name | Default | Description |
|-----|-------------------------|-----------|--|
| 15 | RESET | 0, RW/SC | Reset: 1 = Initiate software Reset / Reset in Process. 0 = Normal operation. This bit, which is self-clearing, returns a value of one until the reset process is complete. The configuration is re-strapped. |
| 14 | LOOPBACK | 0, RW | Loopback: 1 = Loopback enabled. 0 = Normal operation. The loopback function enables MII transmit data to be routed to the MII receive data path. Setting this bit may cause the descrambler to lose synchronization and produce a 500 μ s "dead time" before any valid data will appear at the MII receive outputs. |
| 13 | SPEED SELECTION | Strap, RW | Speed Select: When auto-negotiation is disabled writing to this bit allows the port speed to be selected. 1 = 100 Mb/s. 0 = 10 Mb/s. |
| 12 | AUTO-NEGOTIATION ENABLE | Strap, RW | Auto-Negotiation Enable: Strap controls initial value at reset. If FX is enabled (FX_EN = 1), then this bit will be reset to 0. 1 = Auto-Negotiation Enabled - bits 8 and 13 of this register are ignored when this bit is set. 0 = Auto-Negotiation Disabled - bits 8 and 13 determine the port speed and duplex mode. |
| 11 | POWER DOWN | 0, RW | Power Down: 1 = Power down. 0 = Normal operation. Setting this bit powers down the PHY. Only the register block is enabled during a power down condition. This bit is ORd with the input from the PWRDOWN_INT pin. When the active low PWRDOWN_INT pin is asserted, this bit will be set. |
| 10 | ISOLATE | 0, RW | Isolate: 1 = Isolates the Port from the MII with the exception of the serial management. 0 = Normal operation. |

Table 10-3. Basic Mode Control Register (BMCR), address 0x00 (continued)

| Bit | Bit Name | Default | Description |
|-----|-----------------------------|------------|--|
| 9 | RESTART AUTO-NEGOTIATION | 0, RW/SC | Restart Auto-Negotiation: 1 = Restart Auto-Negotiation. Re-initiates the Auto-Negotiation process. If Auto-Negotiation is disabled (bit 12 = 0), this bit is ignored. This bit is self-clearing and will return a value of 1 until Auto-Negotiation is initiated, whereupon it will self-clear. Operation of the Auto-Negotiation process is not affected by the management entity clearing this bit. 0 = Normal operation. |
| 8 | DUPLEX MODE | Strap, RW | Duplex Mode: When auto-negotiation is disabled writing to this bit allows the port Duplex capability to be selected. 1 = Full Duplex operation. 0 = Half Duplex operation. |
| 7 | COLLISION TEST | 0, RW | Collision Test: 1 = Collision test enabled. 0 = Normal operation. When set, this bit will cause the COL signal to be asserted in response to the assertion of TX_EN within 512-bit times. The COL signal will be de-asserted within 4-bit times in response to the de-assertion of TX_EN. |
| 6 | RESERVED | 0, RO | RESERVED: Write ignored, read as 0. |
| 5 | UNIDIRECTIONAL ENABLE | 0, RW | Unidirectional Enable: 1 = Allow 100 Mb transmit activity independent of link status. 0 = Require link up for 100 Mb/s transmit activity. This bit has no effect in 10 Mb/s mode.. |
| 4:0 | RESERVED | 0 0000, RO | RESERVED: Write ignored, read as 0. |

10.1.2 Basic Mode Status Register (BMSR)**Table 10-4. Basic Mode Status Register (BMSR), address 0x01**

| Bit | Bit Name | Default | Description |
|------|------------------------------|---------|---|
| 15 | 100BASE-T4 | 0, RO/P | 100BASE-T4 Capable: 0 = Device not able to perform 100BASE-T4 mode. |
| 14 | 100BASE-TX FULL DUPLEX | 1, RO/P | 100BASE-TX Full Duplex Capable: 1 = Device able to perform 100BASE-TX in full duplex mode. |
| 13 | 100BASE-TX HALF DUPLEX | 1, RO/P | 100BASE-TX Half Duplex Capable: 1 = Device able to perform 100BASE-TX in half duplex mode. |
| 12 | 10BASE-T FULL DUPLEX | 1, RO/P | 10BASE-T Full Duplex Capable: 1 = Device able to perform 10BASE-T in full duplex mode. |
| 11 | 10BASE-T HALF DUPLEX | 1, RO/P | 10BASE-T Half Duplex Capable: 1 = Device able to perform 10BASE-T in half duplex mode. |
| 10:8 | RESERVED | 000, RO | RESERVED: Write as 0, read as 0. |
| 7 | UNIDIRECTIONAL ABILITY | 1, RO/P | Unidirectional Ability: 1 = Device able to transmit in 100 Mb/s mode independent of link status. |
| 6 | MF PREAMBLE SUPPRESSION | 1, RO/P | Preamble Suppression Capable: 1 = Device able to perform management transaction with preamble suppressed, 32-bits of preamble needed only once after reset, invalid opcode or invalid turnaround. 0 = Normal management operation. |
| 5 | AUTO-NEGOTIATION COMPLETE | 0, RO | Auto-Negotiation Complete: 1 = Auto-Negotiation process complete. 0 = Auto-Negotiation process not complete. |

Table 10-4. Basic Mode Status Register (BMSR), address 0x01 (continued)

| Bit | Bit Name | Default | Description |
|-----|--------------------------|----------|--|
| 4 | REMOTE FAULT | 0, RO/LH | Remote Fault: 1 = Remote Fault condition detected (cleared on read or by reset). Fault criteria: Far End Fault Indication or notification from Link Partner of Remote Fault. 0 = No remote fault condition detected. |
| 3 | AUTO-NEGOTIATION ABILITY | 1, RO/P | Auto Negotiation Ability: 1 = Device is able to perform Auto-Negotiation. 0 = Device is not able to perform Auto-Negotiation. |
| 2 | LINK STATUS | 0, RO/LL | Link Status: 1 = Valid link established (for either 10 or 100 Mb/s operation). 0 = Link not established. The criteria for link validity is implementation specific. The occurrence of a link failure condition will causes the Link Status bit to clear. Once cleared, this bit may only be set by establishing a good link condition and a read via the management interface. |
| 1 | JABBER DETECT | 0, RO/LH | Jabber Detect: This bit only has meaning in 10 Mb/s mode. 1 = Jabber condition detected. 0 = No Jabber. This bit is implemented with a latching function, such that the occurrence of a jabber condition causes it to set until it is cleared by a read to this register by the management interface or by a reset. |
| 0 | EXTENDED CAPABILITY | 1, RO/P | Extended Capability: 1 = Extended register capabilities. 0 = Basic register set capabilities only. |

The PHY Identifier Registers #1 and #2 together form a unique identifier for the DP83630. The Identifier consists of a concatenation of the Organizationally Unique Identifier (OUI), the vendor's model number and the model revision number. A PHY may return a value of zero in each of the 32 bits of the PHY Identifier if desired. The PHY Identifier is intended to support network management. TI's IEEE assigned OUI is 080017h.

10.1.3 PHY Identifier Register #1 (PHYIDR1)

Table 10-5. PHY Identifier Register #1 (PHYIDR1), address 0x02

| Bit | Bit Name | Default | Description |
|------|----------|---------------------------|--|
| 15:0 | OUI_MSB | 0010 0000 0000 0000, RO/P | OUI Most Significant Bits: Bits 3 to 18 of the OUI (080017h) are stored in bits 15 to 0 of this register. The most significant two bits of the OUI are ignored (the IEEE standard refers to these as bits 1 and 2). |

10.1.4 PHY Identifier Register #2 (PHYIDR2)

Table 10-6. PHY Identifier Register #2 (PHYIDR2), address 0x03

| Bit | Bit Name | Default | Description |
|-------|----------|---------------|--|
| 15:10 | OUI_LSB | 0101 11, RO/P | OUI Least Significant Bits: Bits 19 to 24 of the OUI (080017h) are mapped from bits 15 to 10 of this register respectively. |
| 9:4 | VNDR_MDL | 00 1110, RO/P | Vendor Model Number: The six bits of vendor model number are mapped from bits 9 to 4 (most significant bit to bit 9). |
| 3:0 | MDL_REV | 0001, RO/P | Model Revision Number: Four bits of the vendor model revision number are mapped from bits 3 to 0 (most significant bit to bit 3). This field will be incremented for all major device changes. |

10.1.5 Auto-Negotiation Advertisement Register (ANAR)

This register contains the advertised abilities of this device as they will be transmitted to its link partner during Auto-Negotiation. Any writes to this register prior to completion of Auto-Negotiation (as indicated in the Basic Mode Status Register (address 01h) Auto-Negotiation Complete bit, BMSR[5]) should be followed by a renegotiation. This will ensure that the new values are properly used in the Auto-Negotiation.

Table 10-7. Auto-Negotiation Advertisement Register (ANAR), address 0x04

| Bit | Bit Name | Default | Description |
|-----|----------|------------|--|
| 15 | NP | 0, RW | Next Page Indication: 0 = Next Page Transfer not desired. 1 = Next Page Transfer desired. |
| 14 | RESERVED | 0, RO/P | RESERVED by IEEE: Writes ignored, Read as 0. |
| 13 | RF | 0, RW | Remote Fault: 1 = Advertises that this device has detected a Remote Fault. 0 = No Remote Fault detected. |
| 12 | RESERVED | 0, RW | RESERVED for Future IEEE use: Write as 0, Read as 0 |
| 11 | ASM_DIR | 0, RW | Asymmetric PAUSE Support for Full Duplex Links: The ASM_DIR bit indicates that asymmetric PAUSE is supported. Encoding and resolution of PAUSE bits is defined in IEEE 802.3 Annex 28B, Tables 28B-2 and 28B-3, respectively. Pause resolution status is reported in PHYCR[13:12]. 1 = Advertise that the DTE (MAC) has implemented both the optional MAC control sublayer and the pause function as specified in clause 31 and annex 31B of 802.3u. 0 = No MAC based full duplex flow control. |
| 10 | PAUSE | 0, RW | PAUSE Support for Full Duplex Links: The PAUSE bit indicates that the device is capable of providing the symmetric PAUSE functions as defined in Annex 31B. Encoding and resolution of PAUSE bits is defined in IEEE 802.3 Annex 28B, Tables 28B-2 and 28B-3, respectively. Pause resolution status is reported in PHYCR[13:12]. 1 = Advertise that the DTE (MAC) has implemented both the optional MAC control sublayer and the pause function as specified in clause 31 and annex 31B of 802.3u. 0 = No MAC based full duplex flow control. |
| 9 | T4 | 0, RO/P | 100BASE-T4 Support: 1 = 100BASE-T4 is supported by the local device. 0 = 100BASE-T4 not supported. |
| 8 | TX_FD | Strap, RW | 100BASE-TX Full Duplex Support: 1 = 100BASE-TX Full Duplex is supported by the local device. 0 = 100BASE-TX Full Duplex not supported. |
| 7 | TX | Strap, RW | 100BASE-TX Support: 1 = 100BASE-TX is supported by the local device. 0 = 100BASE-TX not supported. |
| 6 | 10_FD | Strap, RW | 10BASE-T Full Duplex Support: 1 = 10BASE-T Full Duplex is supported by the local device. 0 = 10BASE-T Full Duplex not supported. |
| 5 | 10 | Strap, RW | 10BASE-T Support: 1 = 10BASE-T is supported by the local device. 0 = 10BASE-T not supported. |
| 4:0 | SELECTOR | 0 0001, RW | Protocol Selection Bits: These bits contain the binary encoded protocol selector supported by this port. <00001> indicates that this device supports IEEE 802.3u. |

10.1.6 Auto-Negotiation Link Partner Ability Register (ANLPAR) (BASE Page)

This register contains the advertised abilities of the Link Partner as received during Auto-Negotiation. The content changes after the successful auto-negotiation if Next-pages are supported.

Table 10-8. Auto-Negotiation Link Partner Ability Register (ANLPAR) (BASE Page), address 0x05

| Bit | Bit Name | Default | Description |
|-----|----------|------------|---|
| 15 | NP | 0, RO | Next Page Indication: 0 = Link Partner does not desire Next Page Transfer. 1 = Link Partner desires Next Page Transfer. |
| 14 | ACK | 0, RO | Acknowledge: 1 = Link Partner acknowledges reception of the ability data word. 0 = Not acknowledged. The Auto-Negotiation state machine will automatically control this bit based on the incoming FLP bursts. |
| 13 | RF | 0, RO | Remote Fault: 1 = Remote Fault indicated by Link Partner. 0 = No Remote Fault indicated by Link Partner. |
| 12 | RESERVED | 0, RO | RESERVED for Future IEEE use: Write as 0, read as 0. |
| 11 | ASM_DIR | 0, RO | ASYMMETRIC PAUSE: 1 = Asymmetric pause is supported by the Link Partner. 0 = Asymmetric pause is not supported by the Link Partner. |
| 10 | PAUSE | 0, RO | PAUSE: 1 = Pause function is supported by the Link Partner. 0 = Pause function is not supported by the Link Partner. |
| 9 | T4 | 0, RO | 100BASE-T4 Support: 1 = 100BASE-T4 is supported by the Link Partner. 0 = 100BASE-T4 not supported by the Link Partner. |
| 8 | TX_FD | 0, RO | 100BASE-TX Full Duplex Support: 1 = 100BASE-TX Full Duplex is supported by the Link Partner. 0 = 100BASE-TX Full Duplex not supported by the Link Partner. |
| 7 | TX | 0, RO | 100BASE-TX Support: 1 = 100BASE-TX is supported by the Link Partner. 0 = 100BASE-TX not supported by the Link Partner. |
| 6 | 10_FD | 0, RO | 10BASE-T Full Duplex Support: 1 = 10BASE-T Full Duplex is supported by the Link Partner. 0 = 10BASE-T Full Duplex not supported by the Link Partner. |
| 5 | 10 | 0, RO | 10BASE-T Support: 1 = 10BASE-T is supported by the Link Partner. 0 = 10BASE-T not supported by the Link Partner. |
| 4:0 | SELECTOR | 0 0000, RO | Protocol Selection Bits: Link Partner's binary encoded protocol selector. |

10.1.7 Auto-Negotiation Link Partner Ability Register (ANLPAR) (Next Page)

Table 10-9. Auto-Negotiation Link Partner Ability Register (ANLPAR) (Next Page), address 0x05

| Bit | Bit Name | Default | Description |
|------|----------|-------------------|--|
| 15 | NP | 0, RO | Next Page Indication: 1 = Link Partner desires Next Page Transfer. 0 = Link Partner does not desire Next Page Transfer. |
| 14 | ACK | 0, RO | Acknowledge: 1 = Link Partner acknowledges reception of the ability data word. 0 = Not acknowledged. The Auto-Negotiation state machine will automatically control this bit based on the incoming FLP bursts. Software should not attempt to write to this bit. |
| 13 | MP | 0, RO | Message Page: 1 = Message Page. 0 = Unformatted Page. |
| 12 | ACK2 | 0, RO | Acknowledge 2: 1 = Link Partner does have the ability to comply to next page message. 0 = Link Partner does not have the ability to comply to next page message. |
| 11 | TOGGLE | 0, RO | Toggle: 1 = Previous value of the transmitted Link Code word equalled 0. 0 = Previous value of the transmitted Link Code word equalled 1. |
| 10:0 | CODE | 000 0000 0000, RO | Code: This field represents the code field of the next page transmission. If the MP bit is set (bit 13 of this register), then the code shall be interpreted as a Message Page, as defined in IEEE 802.3u Annex 28C of Clause 28. Otherwise, the code shall be interpreted as an Unformatted Page, and the interpretation is application specific. |

10.1.8 Auto-Negotiate Expansion Register (ANER)

This register contains additional Local Device and Link Partner status information.

Table 10-10. Auto-Negotiate Expansion Register (ANER), address 0x06

| Bit | Bit Name | Default | Description |
|------|------------|-------------------|--|
| 15:5 | RESERVED | 0000 0000 000, RO | RESERVED: Writes ignored, Read as 0. |
| 4 | PDF | 0, RO | Parallel Detection Fault: 1 = A fault has been detected via the Parallel Detection function. 0 = A fault has not been detected. |
| 3 | LP_NP_ABLE | 0, RO | Link Partner Next Page Able: 1 = Link Partner does support Next Page. 0 = Link Partner does not support Next Page. |
| 2 | NP_ABLE | 1, RO/P | Next Page Able: 1 = Indicates local device is able to send additional Next Pages. |
| 1 | PAGE_RX | 0, RO/COR | Link Code Word Page Received: 1 = Link Code Word has been received, cleared on a read. 0 = Link Code Word has not been received. |
| 0 | LP_AN_ABLE | 0, RO | Link Partner Auto-Negotiation Able: 1 = Indicates that the Link Partner supports Auto-Negotiation. 0 = Indicates that the Link Partner does not support Auto-Negotiation. |

10.1.9 Auto-Negotiation Next Page Transmit Register (ANNPTR)

This register contains the next page information sent by this device to its Link Partner during Auto-Negotiation.

Table 10-11. Auto-Negotiation Next Page Transmit Register (ANNPTR), address 0x07

| Bit | Bit Name | Default | Description |
|------|----------|-------------------|--|
| 15 | NP | 0, RW | Next Page Indication: 0 = No other Next Page Transfer desired. 1 = Another Next Page desired. |
| 14 | RESERVED | 0, RO | RESERVED: Writes ignored, read as 0. |
| 13 | MP | 1, RW | Message Page: 1 = Message Page. 0 = Unformatted Page. |
| 12 | ACK2 | 0, RW | Acknowledge2: 1 = Will comply with message. 0 = Cannot comply with message. Acknowledge2 is used by the next page function to indicate that Local Device has the ability to comply with the message received. |
| 11 | TOG_TX | 0, RO | Toggle: 1 = Value of toggle bit in previously transmitted Link Code Word was 0. 0 = Value of toggle bit in previously transmitted Link Code Word was 1. Toggle is used by the Arbitration function within Auto-Negotiation to ensure synchronization with the Link Partner during Next Page exchange. This bit shall always take the opposite value of the Toggle bit in the previously exchanged Link Code Word. |
| 10:0 | CODE | 000 0000 0001, RW | Code: This field represents the code field of the next page transmission. If the MP bit is set (bit 13 of this register), then the code shall be interpreted as a "Message Page", as defined in Annex 28C of IEEE 802.3u. Otherwise, the code shall be interpreted as an "Unformatted Page", and the interpretation is application specific. The default value of the CODE represents a Null Page as defined in Annex 28C of IEEE 802.3u. |

10.1.10 PHY Status Register (PHYSTS)

This register provides a single location within the register set for quick access to commonly accessed information.

Table 10-12. PHY Status Register (PHYSTS), address 0x10

| Bit | Bit Name | Default | Description |
|-----|---------------------------|----------|---|
| 15 | RESERVED | 0, RO | RESERVED: Write ignored, read as 0. |
| 14 | MDIX MODE | 0, RO | <p>MDIX mode as reported by the Auto-Negotiation logic:</p> <p>This bit will be affected by the settings of the MDIX_EN and FORCE_MDIX bits in the PHYCR register. When MDIX is enabled, but not forced, this bit will update dynamically as the Auto-MDIX algorithm swaps between MDI and MDIX configurations.</p> <p>1 = MDI pairs swapped (Receive on TPTD pair, Transmit on TPRD pair)</p> <p>0 = MDI pairs normal (Receive on TPRD pair, Transmit on TPTD pair)</p> |
| 13 | RECEIVE ERROR LATCH | 0, RO/LH | <p>Receive Error Latch:</p> <p>This bit will be cleared upon a read of the RECR register.</p> <p>1 = Receive error event has occurred since last read of RXERCNT (address 15h, Page 0).</p> <p>0 = No receive error event has occurred.</p> |
| 12 | POLARITY STATUS | 0, RO | <p>Polarity Status:</p> <p>This bit is a duplication of bit 4 in the 10BTSCR register. This bit will be cleared upon a read of the 10BTSCR register, but not upon a read of the PHYSTS register.</p> <p>1 = Inverted Polarity detected.</p> <p>0 = Correct Polarity detected.</p> |
| 11 | FALSE CARRIER SENSE LATCH | 0, RO/LH | <p>False Carrier Sense Latch:</p> <p>This bit will be cleared upon a read of the FCSR register.</p> <p>1 = False Carrier event has occurred since last read of FCSCR (address 14h).</p> <p>0 = No False Carrier event has occurred.</p> |
| 10 | SIGNAL DETECT | 0, RO/LL | <p>100Base-TX qualified Signal Detect from PMA:</p> <p>This is the SD that goes into the link monitor. It is the AND of raw SD and descrambler lock, when address 16h, bit 8 (page 0) is set. When bit 8 of address 16h is cleared, it will be equivalent to the raw SD from the PMD.</p> |
| 9 | DESCRAMBLER LOCK | 0, RO/LL | 100Base-TX Descrambler Lock from PMD. |
| 8 | PAGE RECEIVED | 0, RO | <p>Link Code Word Page Received:</p> <p>This is a duplicate of the Page Received bit in the ANER register, but this bit will not be cleared upon a read of the PHYSTS register.</p> <p>1 = A new Link Code Word Page has been received. Cleared on read of the ANER (address 06h, bit 1).</p> <p>0 = Link Code Word Page has not been received.</p> |
| 7 | MII INTERRUPT | 0, RO | <p>MII Interrupt Pending:</p> <p>1 = Indicates that an internal interrupt is pending. Interrupt source can be determined by reading the MISR Register (12h). Reading the MISR will clear the Interrupt.</p> <p>0 = No interrupt pending.</p> |
| 6 | REMOTE FAULT | 0, RO | <p>Remote Fault:</p> <p>1 = Remote Fault condition detected (cleared on read of BMSR (address 01h) register or by reset). Fault criteria: notification from Link Partner of Remote Fault via Auto-Negotiation.</p> <p>0 = No remote fault condition detected.</p> |

Table 10-12. PHY Status Register (PHYSTS), address 0x10 (continued)

| Bit | Bit Name | Default | Description |
|-----|-------------------|---------|--|
| 5 | JABBER DETECT | 0, RO | <p>Jabber Detect: This bit only has meaning in 10 Mb/s mode.</p> <p>This bit is a duplicate of the Jabber Detect bit in the BMSR register, except that it is not cleared upon a read of the PHYSTS register.</p> <p>1 = Jabber condition detected. 0 = No Jabber.</p> |
| 4 | AUTO-NEG COMPLETE | 0, RO | <p>Auto-Negotiation Complete:</p> <p>1 = Auto-Negotiation complete. 0 = Auto-Negotiation not complete.</p> |
| 3 | LOOPBACK STATUS | 0, RO | <p>Loopback:</p> <p>1 = Loopback enabled. 0 = Normal operation.</p> |
| 2 | DUPLEX STATUS | 0, RO | <p>Duplex:</p> <p>This bit indicates duplex status and is determined from Auto-Negotiation or Forced Modes.</p> <p>1 = Full duplex mode. 0 = Half duplex mode.</p> <p><i>Note: This bit is only valid if Auto-Negotiation is enabled and complete and there is a valid link or if Auto-Negotiation is disabled and there is a valid link.</i></p> |
| 1 | SPEED STATUS | 0, RO | <p>Speed10:</p> <p>This bit indicates the status of the speed and is determined from Auto-Negotiation or Forced Modes.</p> <p>1 = 10 Mb/s mode. 0 = 100 Mb/s mode.</p> <p><i>Note: This bit is only valid if Auto-Negotiation is enabled and complete and there is a valid link or if Auto-Negotiation is disabled and there is a valid link.</i></p> |
| 0 | LINK STATUS | 0, RO | <p>Link Status:</p> <p>This bit is a duplicate of the Link Status bit in the BMSR register, except that it will not be cleared upon a read of the PHYSTS register.</p> <p>1 = Valid link established (for either 10 or 100 Mb/s operation). 0 = Link not established.</p> |

10.1.11 MII Interrupt Control Register (MICR)

This register implements the MII Interrupt PHY Specific Control register. Sources for interrupt generation include: Link Quality Monitor, Energy Detect State Change, Link State Change, Speed Status Change, Duplex Status Change, Auto-Negotiation Complete or any of the counters becoming half-full. The individual interrupt events must be enabled by setting bits in the MII Interrupt Status and Event Control Register (MISR).

Table 10-13. MII Interrupt Control Register (MICR), address 0x11

| Bit | Bit Name | Default | Description |
|------|-------------|--------------------|---|
| 15:4 | RESERVED | 0000 0000 0000, RO | RESERVED: Writes ignored, read as 0. |
| 3 | PTP_INT_SEL | 0, RW | PTP Interrupt Select: Maps PTP Interrupt to the MISR register in place of the Duplex Interrupt. The Duplex Interrupt will be combined with the Speed Interrupt. 1 = Map PTP Interrupt to MISR[11], Speed/Duplex Interrupt to MISR[12] 0 = Map Duplex Interrupt to MISR[11], Speed Interrupt to MISR[12] |
| 2 | TINT | 0, RW | Test Interrupt: Forces the PHY to generate an interrupt to facilitate interrupt testing. Interrupts will continue to be generated as long as this bit remains set. 1 = Generate an interrupt. 0 = Do not generate interrupt. |
| 1 | INTEN | 0, RW | Interrupt Enable: Enable interrupt dependent on the event enables in the MISR register. 1 = Enable event based interrupts. 0 = Disable event based interrupts. |
| 0 | INT_OE | 0, RW | Interrupt Output Enable: Enable interrupt events to signal via the PWRDOWN/INTN pin by configuring the PWRDOWN/INTN pin as an output. 1 = PWRDOWN/INTN is an Interrupt Output. 0 = PWRDOWN/INTN is a Power Down Input. |

10.1.12 MII Interrupt Status and Event Control Register (MISR)

This register contains event status and enables for the interrupt function. If an event has occurred since the last read of this register, the corresponding status bit will be set. If the corresponding enable bit in the register is set, an interrupt will be generated if the event occurs. The MICR register controls must also be set to allow interrupts. The status indications in this register will be set even if the interrupt is not enabled.

Table 10-14. MII Interrupt Status and Event Control Register (MISR), address 0x12

| Bit | Bit Name | Default | Description |
|-----|------------------------------|-----------|--|
| 15 | LQ_INT | 0, RO/COR | Link Quality Interrupt: 1 = Link Quality interrupt is pending and is cleared by the current read. 0 = No Link Quality interrupt pending. |
| 14 | ED_INT | 0, RO/COR | Energy Detect Interrupt: 1 = Energy detect interrupt is pending and is cleared by the current read. 0 = No energy detect interrupt pending. |
| 13 | LINK_INT | 0, RO/COR | Change of Link Status Interrupt: 1 = Change of link status interrupt is pending and is cleared by the current read. 0 = No change of link status interrupt pending. |
| 12 | SPD_INT or SPD_DUP_INT | 0, RO/COR | Change of Speed Status Interrupt: Change of speed status interrupt. This function is selected if MICR[3] is set to 0. 1 = Speed status change interrupt is pending and is cleared by the current read. 0 = No speed status change interrupt pending. Change of Speed/Duplex Interrupt: Change of speed or duplex status interrupt. This function is selected if MICR[3] is set to 1. 1 = Speed/duplex status change interrupt is pending and is cleared by the current read. 0 = No speed/duplex status change interrupt pending. |
| 11 | DUP_INT or PTP_INT | 0, RO/COR | Change of Duplex Status Interrupt: Change of duplex status interrupt. This function is selected if MICR[3] is set to 0. 1 = Duplex status change interrupt is pending and is cleared by the current read. 0 = No duplex status change interrupt pending. PTP Interrupt: PTP interrupt. This function is selected if MICR[3] is set to 1. PTP interrupt status should be read from the PTP_STS register. This interrupt will not be rearmed until the PTP_STS register indicates no further PTP status is available. 1 = PTP interrupt is pending and is cleared by the current read. 0 = No PTP interrupt pending. |
| 10 | ANC_INT | 0, RO/COR | Auto-Negotiation Complete Interrupt: 1 = Auto-negotiation complete interrupt is pending and is cleared by the current read. 0 = No Auto-negotiation complete interrupt pending. |
| 9 | FHF_INT or CTR_INT | 0, RO/COR | False Carrier Counter Half-Full Interrupt: False carrier counter half-full interrupt. This function is selected if the PHYCR2[8:7] are both 0. 1 = False carrier counter half-full interrupt is pending and is cleared by the current read. 0 = No false carrier counter half-full interrupt pending. CTR Interrupt: False carrier or Receive Error counter half-full interrupt. This function is selected if either of PHYCR2[8:7] are set. 1 = False carrier or receive error counter half-full interrupt is pending and is cleared by the current read. 0 = No false carrier or receive error counter half-full interrupt pending. |

Table 10-14. MII Interrupt Status and Event Control Register (MISR), address 0x12 (continued)

| Bit | Bit Name | Default | Description |
|-----|--------------------------------|-----------|--|
| 8 | RHF_INT or PCF_INT | 0, RO/COR | <p>Receive Error Counter half-full interrupt: Receive error counter half-full interrupt. This function is selected if the PHYCR2[8:7] are both 0. 1 = Receive error counter half-full interrupt is pending and is cleared by the current read. 0 = No receive error carrier counter half-full interrupt pending.</p> <p>PCF Interrupt: PHY Control Frame interrupt. This function is selected if either of PHYCR2[8:7] are set. 1 = PHY Control Frame interrupt is pending and is cleared by the current read. 0 = No PHY Control Frame interrupt pending.</p> |
| 7 | LQ_INT_EN | 0, RW | Enable Interrupt on Link Quality Monitor event. |
| 6 | ED_INT_EN | 0, RW | Enable Interrupt on energy detect event. |
| 5 | LINK_INT_EN | 0, RW | Enable Interrupt on change of link status. |
| 4 | SPD_INT_EN | 0, RW | Enable Interrupt on change of speed status. |
| 3 | DUP_INT_EN or PTP_INT_EN | 0, RW | <p>Duplex Interrupt: Enable Interrupt on change of duplex status. This function is selected if MICR[3] is set to 0.</p> <p>PTP Interrupt: PTP interrupt. This function is selected if MICR[3] is set to 1.</p> |
| 2 | ANC_INT_EN | 0, RW | Enable Interrupt on auto-negotiation complete event. |
| 1 | FHF_INT_EN or CTR_INT_EN | 0, RW | <p>FHF Interrupt: Enable Interrupt on False Carrier Counter Register half-full event. This function is selected if the PHYCR2[8:7] are both 0.</p> <p>CTR Interrupt: Enable interrupt on either Receive Error Counter Register half-full event or False Carrier Counter Register half-full event. This function is selected if either of PCFCR[7:6] are set.</p> |
| 0 | RHF_INT_EN or PCF_INT_EN | 0, RW | <p>RHF Interrupt: Enable Interrupt on Receive Error Counter Register half-full event. This function is selected if the PHYCR2[8:7] are both 0.</p> <p>PCF Interrupt: Enable Interrupt on a PHY Control Frame event. This function is selected if either of PCFCR[7:6] are set.</p> |

10.1.13 Page Select Register (PAGESEL)

This register is used to enable access to the Link Diagnostics Registers.

Table 10-15. Page Select Register (PAGESEL), address 0x13

| Bit | Bit Name | Default | Description |
|------|----------|-------------------------|---|
| 15:3 | RESERVED | 0000 0000 0000 0, RO | RESERVED: Writes ignored, read as 0 |
| 2:0 | PAGE_SEL | 000, RW | <p>Page_Sel Bits: Selects between paged registers for address 14h to 1Fh. 0 = Extended Registers Page 0 1 = RESERVED 2 = Link Diagnostics Registers Page 2 3 = RESERVED 4 = PTP 1588 Base Registers Page 4 5 = PTP 1588 Config Registers Page 5 6 = PTP 1588 Config Registers Page 6</p> |

10.2 EXTENDED REGISTERS - PAGE 0

10.2.1 False Carrier Sense Counter Register (FCSCR)

This counter provides information required to implement the “False Carriers” attribute within the MAU managed object class of Clause 30 of the IEEE 802.3u specification.

Table 10-16. False Carrier Sense Counter Register (FCSCR), address 0x14

| Bit | Bit Name | Default | Description |
|------|-------------|-------------------|---|
| 15:8 | RESERVED | 0000 0000, RO | RESERVED: Writes ignored, read as 0 |
| 7:0 | FCSCNT[7:0] | 0000 0000, RO/COR | False Carrier Event Counter: This 8-bit counter increments on every false carrier event. This counter sticks when it reaches its maximum count (FFh). |

10.2.2 Receiver Error Counter Register (RECR)

This counter provides information required to implement the “Symbol Error During Carrier” attribute within the PHY managed object class of Clause 30 of the IEEE 802.3u specification.

Table 10-17. Receiver Error Counter Register (RECR), address 0x15

| Bit | Bit Name | Default | Description |
|------|--------------|-------------------|--|
| 15:8 | RESERVED | 0000 0000, RO | RESERVED: Writes ignored, read as 0. |
| 7:0 | RXERCNT[7:0] | 0000 0000, RO/COR | RX_ER Counter: When a valid carrier is present and there is at least one occurrence of an invalid data symbol, this 8-bit counter increments for each receive error detected. This event can increment only once per valid carrier event. If a collision is present, the attribute will not increment. The counter sticks when it reaches its maximum count. |

10.2.3 100 Mb/s PCS Configuration and Status Register (PCSR)

This register contains control and status information for the 100BASE Physical Coding Sublayer.

Table 10-18. 100 Mb/s PCS Configuration and Status Register (PCSR), address 0x16

| Bit | Bit Name | Default | Description |
|-------|----------------|---------|---|
| 15 | AUTO_CROSSOVER | 0, RW | Auto-Crossover in Forced Mode: 1 = Auto-Crossover in Forced Mode Enabled Allows the device to toggle between MDIX and MDI channels when forced to 10M or 100M mode. This function is mutually exclusive with the Auto-Negotiation Enable bit, BMCR[12], and with the Auto-MDIX Enable bit, PHYCR[15]. These bits should not be set when enabling Auto-crossover. 0 = Normal operation |
| 14:12 | RESERVED | 000, RW | RESERVED: Must be 0. |
| 11 | FREE_CLK | 0, RW | Receive Clock: 1 = RX_CLK is free-running. 0 = RX_CLK phase adjusted based on alignment. |
| 10 | TQ_EN | 0, RW | 100 Mb/s True Quiet Mode Enable: 1 = Transmit True Quiet Mode. 0 = Normal Transmit Mode. |
| 9 | SD FORCE PMA | 0, RW | Signal Detect Force PMA: 1 = Forces Signal Detection in PMA. 0 = Normal SD operation. |

Table 10-18. 100 Mb/s PCS Configuration and Status Register (PCSR), address 0x16 (continued)

| Bit | Bit Name | Default | Description |
|-----|----------------|-----------|--|
| 8 | SD_OPTION | 1, RW | <p>Signal Detect Option:</p> <p>1 = Default operation. Link will be asserted following detection of valid signal level and Descrambler Lock. Link will be maintained as long as signal level is valid. A loss of Descrambler Lock will not cause Link Status to drop.</p> <p>0 = Modified signal detect algorithm. Link will be asserted following detection of valid signal level and Descrambler Lock. Link will be maintained as long as signal level is valid and Descrambler remains locked.</p> |
| 7 | DESC_TIME | 0, RW | <p>Descrambler Timeout:</p> <p>Increase the descrambler timeout. When set, this allows the device to receive larger packets (>9k bytes) without loss of synchronization.</p> <p>1 = 2 ms.</p> <p>0 = 722 μs (per ANSI X3.263: 1995 (TP-PMD) 7.2.3.3e).</p> |
| 6 | FX_EN | Strap, RW | <p>FX Fiber Mode Enable:</p> <p>This bit is set when the FX_EN strap option is selected for the respective port. Write PHYCR2[9], SOFT_RESET, after enabling or disabling Fiber Mode via register access to ensure correct configuration.</p> <p>1 = Enables FX operation.</p> <p>0 = Disables FX operation.</p> |
| 5 | FORCE_100_OK | 0, RW | <p>Force 100 Mb/s Good Link:</p> <p>OR'ed with MAC_FORCE_LINK_100 signal.</p> <p>1 = Forces 100 Mb/s Good Link.</p> <p>0 = Normal 100 Mb/s operation.</p> |
| 4 | RESERVED | 0, RO | RESERVED: Writes ignored, read as 0. |
| 3 | FEFI_EN | Strap, RW | <p>Far End Fault Indication Mode Enable:</p> <p>This bit is set when the FX_EN strap option is selected for the respective port.</p> <p>1 = FEFI Mode Enabled.</p> <p>0 = FEFI Mode Disabled.</p> |
| 2 | NRZI_BYPASS | 0, RW | <p>NRZI Bypass Enable:</p> <p>1 = NRZI Bypass Enabled.</p> <p>0 = NRZI Bypass Disabled.</p> |
| 1 | SCRAM BYPASS | Strap, RW | <p>Scrambler Bypass Enable:</p> <p>This bit is set when the FX_EN strap option is selected. In the FX mode, the scrambler is bypassed.</p> <p>1 = Scrambler Bypass Enabled.</p> <p>0 = Scrambler Bypass Disabled.</p> |
| 0 | DESCRAM BYPASS | Strap, RW | <p>Descrambler Bypass Enable:</p> <p>This bit is set when the FX_EN strap option is selected. In the FX mode, the descrambler is bypassed.</p> <p>1 = Descrambler Bypass Enabled.</p> <p>0 = Descrambler Bypass Disabled.</p> |

10.2.4 RMII and Bypass Register (RBR)

This register configures the RMII/MII Interface Mode of operation. This register controls selecting MII, RMII, or Single Clock MII mode for Receive or Transmit. In addition, several additional bits are included to allow datapath selection for Transmit and Receive in multiport applications.

Table 10-19. RMII and Bypass Register (RBR), address 0x17

| Bit | Bit Name | Default | Description |
|------|-------------|-----------|---|
| 15 | RESERVED | 0, RW | RESERVED: Must be 0. |
| 14 | RMII_MASTER | Strap, RW | RMII Master Mode: Setting this bit allows the core to use a 25 MHz input reference clock and generate its own 50 MHz RMII reference clock. The generated RMII reference clock will also be used by the attached MAC. 1 = RMII Master Mode (25 MHz input reference) 0 = RMII Slave Mode (50 MHz input reference) Note: Due to clock muxing and divider operation, this bit should normally only be reconfigured via the strap option. |
| 13 | DIS_TX_OPT | 0, RW | Disable RMII TX Latency Optimization: Normally the RMII Transmitter will minimize the transmit latency by realigning the transmit clock with the reference clock phase at the start of a packet transmission. Setting this bit will disable phase realignment and ensure that IDLE bits will always be sent in multiples of the symbol size. This will result in a larger uncertainty in RMII transmit latency. |
| 12:9 | RESERVED | 0000, RW | RESERVED: Must be 0. |
| 8 | PMD_LOOP | 0, RW | PMD Loopback: 0 = Normal Operation. 1 = Remote (PMD) Loopback. Setting this bit will cause the device to Loopback data received from the Physical Layer. The loopback is done prior to the MII or RMII interface. Data received at the internal MII or RMII interface will be applied to the transmitter. This mode should only be used if RMII mode or Single Clock MII mode is enabled. |
| 7 | SCMII_RX | 0, RW | Single Clock RX MII Mode: 0 = Standard MII mode. 1 = Single Clock RX MII Mode. Setting this bit will cause the device to generate receive data (RX_DV, RX_ER, RXD[3:0]) synchronous to the X1 Reference clock. RX_CLK is not used in this mode. This mode uses the RMII elasticity buffer to tolerate variations in clock frequencies. This bit cannot be set if RMII_MODE is set to a 1. |
| 6 | SCMII_TX | 0, RW | Single Clock TX MII Mode: 0 = Standard MII mode. 1 = Single Clock TX MII Mode. Setting this bit will cause the device to sample transmit data (TX_EN, TXD[3:0]) synchronous to the X1 Reference clock. TX_CLK is not used in this mode. This bit cannot be set if RMII_MODE is set to a 1. |
| 5 | RMII_MODE | Strap, RW | Reduced MII Mode: 0 = Standard MII Mode. 1 = Reduced MII Mode. |
| 4 | RMII_REV1_0 | 0, RW | Reduced MII Revision 1.0: This bit modifies how CRS_DV is generated. 0 = (RMII revision 1.2) CRS_DV will toggle at the end of a packet to indicate deassertion of CRS. 1 = (RMII revision 1.0) CRS_DV will remain asserted until final data is transferred. CRS_DV will not toggle at the end of a packet. |
| 3 | RX_OVF_STS | 0, RO | RX FIFO Over Flow Status: 0 = Normal. 1 = Overflow detected. |

Table 10-19. RMI and Bypass Register (RBR), address 0x17 (continued)

| Bit | Bit Name | Default | Description |
|-----|----------------|---------|---|
| 2 | RX_UNF_STS | 0, RO | RX FIFO Under Flow Status: 0 = Normal. 1 = Underflow detected. |
| 1:0 | ELAST_BUF[1:0] | 01, RW | Receive Elasticity Buffer: This field controls the Receive Elasticity Buffer which allows for frequency variation tolerance between the 50 MHz RMI clock and the recovered data. See Reduced MII Interface for more information on Elasticity Buffer settings in RMI mode. See Section Single Clock MII Mode for more information on Elasticity Buffer settings in SCMI mode. |

10.2.5 LED Direct Control Register (LEDCR)

This register provides the ability to directly control any or all LED outputs. It does not provide read access to LEDs. In addition, it provides control for the Activity source and blinking LED frequency.

Table 10-20. LED Direct Control Register (LEDCR), address 0x18

| Bit | Bit Name | Default | Description |
|-------|------------|----------|---|
| 15:12 | RESERVED | 0000, RO | RESERVED: Writes ignored, read as 0. |
| 11 | DIS_SPDLED | 0, RW | 1 = Disable LED_SPEED output 0 = Enable LED_SPEED output |
| 10 | DIS_LNKLED | 0, RW | 1 = Disable LED_LINK output 0 = Enable LED_LINK output |
| 9 | DIS_ACTLED | 0, RW | 1 = Disable LED_ACT output 0 = Enable LED_ACT output |
| 8 | LEDACT_RX | 0, RW | 1 = Activity is only indicated for Receive traffic 0 = Activity is indicated for Transmit or Receive traffic |
| 7:6 | BLINK_FREQ | 00, RW | LED Blink Frequency: These bits control the blink frequency of the LED_LINK output when blinking on activity is enabled. 0 = 6 Hz 1 = 12 Hz 2 = 24 Hz 3 = 48 Hz |
| 5 | DRV_SPDLED | 0, RW | 1 = Drive value of SPDLED bit onto LED_SPEED output 0 = Normal operation |
| 4 | DRV_LNKLED | 0, RW | 1 = Drive value of LNKLED bit onto LED_LINK output 0 = Normal operation |
| 3 | DRV_ACTLED | 0, RW | 1 = Drive value of ACTLED bit onto LED_ACT output 0 = Normal operation |
| 2 | SPDLED | 0, RW | Value to force on LED_SPEED output |
| 1 | LNKLED | 0, RW | Value to force on LED_LINK output |
| 0 | ACTLED | 0, RW | Value to force on LED_ACT output |

10.2.6 PHY Control Register (PHYCR)

This register provides control for PHY functions such as MDIX, BIST, LED configuration, and PHY address. It also provides Pause Negotiation status.

Table 10-21. PHY Control Register (PHYCR), address 0x19

| Bit | Bit Name | Default | Description |
|-----|-------------|----------|---|
| 15 | MDIX_EN | 1, RW | Auto-MDIX Enable: 1 = Enable Auto-neg Auto-MDIX capability. 0 = Disable Auto-neg Auto-MDIX capability. |
| 14 | FORCE_MDIX | 0, RW | Force MDIX: 1 = Force MDI pairs to cross. (Receive on TD pair, Transmit on RD pair) 0 = Normal operation. |
| 13 | PAUSE_RX | 0, RO | Pause Receive Negotiated: Indicates that pause receive should be enabled in the MAC. Based on ANAR[11:10] and ANLPAR[11:10] settings. This function shall be enabled according to IEEE 802.3 Annex 28B Table 28B-3, "Pause Resolution", only if the Auto-Negotiated Highest Common Denominator is a full duplex technology. |
| 12 | PAUSE_TX | 0, RO | Pause Transmit Negotiated: Indicates that pause transmit should be enabled in the MAC. Based on ANAR[11:10] and ANLPAR[11:10] settings. This function shall be enabled according to IEEE 802.3 Annex 28B Table 28B-3, Pause Resolution, only if the Auto-Negotiated Highest Common Denominator is a full duplex technology. |
| 11 | BIST_FE | 0, RW/SC | BIST Force Error: 1 = Force BIST Error. 0 = Normal operation. This bit forces a single error, and is self clearing. |
| 10 | PSR_15 | 0, RW | BIST Sequence select: 1 = PSR15 selected. 0 = PSR9 selected. |
| 9 | BIST_STATUS | 0, LL/RO | BIST Test Status: 1 = BIST pass. 0 = BIST fail. Latched, cleared when a BIST failure occurs or BIST is stopped. For a count number of BIST errors, see the BIST Error Count in the CDCTRL1 Register . |
| 8 | BIST_START | 0, RW | BIST Start: <i>Writes:</i> 1 = BIST start. Writing 1 to this bit enables transmission of BIST packets and enables the receive BIST engine to start looking for packet traffic. 0 = BIST stop. Stop the BIST. Writing 0 to this bit also clears the BIST_STATUS bit. <i>Reads:</i> 1 = BIST active. This bit reads 1 after the transmit BIST engine has been enabled and the receive BIST engine has detected packet traffic. 0 = BIST inactive. This bit will read 0 if the BIST is disabled or if the BIST is enabled but no receive traffic has been detected. |
| 7 | BP_STRETCH | 0, RW | Bypass LED Stretching: This will bypass the LED stretching and the LEDs will reflect the internal value. 1 = Bypass LED stretching. 0 = Normal operation. |

Table 10-21. PHY Control Register (PHYCR), address 0x19 (continued)

| Bit | Bit Name | Default | Description | | | | | | | | | | | | |
|-------------|----------------------------|--------------------|--|-------------|-------------|------------------|------------|---|--------|---|---|--------|---|---|--------|
| 6 5 | LED_CNFG[1] LED_CNFG[0] | 0, RW Strap, RW | <p>LED Configuration</p> <table border="1"> <thead> <tr> <th>LED_CNFG[1]</th> <th>LED_CNFG[0]</th> <th>Mode Description</th> </tr> </thead> <tbody> <tr> <td>Don't care</td> <td>1</td> <td>Mode 1</td> </tr> <tr> <td>0</td> <td>0</td> <td>Mode 2</td> </tr> <tr> <td>1</td> <td>0</td> <td>Mode 3</td> </tr> </tbody> </table> <p>In Mode 1, LEDs are configured as follows: LED_LINK = ON for Good Link, OFF for No Link LED_SPEED = ON in 100 Mb/s, OFF in 10 Mb/s LED_ACT = ON for Activity, OFF for No Activity In Mode 2, LEDs are configured as follows: LED_LINK = ON for Good Link, BLINK for Activity LED_SPEED = ON in 100 Mb/s, OFF in 10 Mb/s LED_ACT = ON for Collision, OFF for No Collision In Mode 3, LEDs are configured as follows: LED_LINK = ON for Good Link, BLINK for Activity LED_SPEED = ON in 100 Mb/s, OFF in 10 Mb/s LED_ACT = ON for Full Duplex, OFF for Half Duplex</p> | LED_CNFG[1] | LED_CNFG[0] | Mode Description | Don't care | 1 | Mode 1 | 0 | 0 | Mode 2 | 1 | 0 | Mode 3 |
| LED_CNFG[1] | LED_CNFG[0] | Mode Description | | | | | | | | | | | | | |
| Don't care | 1 | Mode 1 | | | | | | | | | | | | | |
| 0 | 0 | Mode 2 | | | | | | | | | | | | | |
| 1 | 0 | Mode 3 | | | | | | | | | | | | | |
| 4:0 | PHYADDR[4:0] | Strap, RW | <p>PHY Address: PHY address for port. Note: The local PHY address cannot be changed via a broadcast write - writing to PHY address 0x1F register 0x19 will not change the PHYADDR bits.</p> | | | | | | | | | | | | |

10.2.7 10Base-T Status/Control Register (10BTSCR)

This register is used for control and status for 10BASE-T device operation.

Table 10-22. 10Base-T Status/Control Register (10BTSCR), address 0x1A

| Bit | Bit Name | Default | Description |
|-------|------------------|----------|---|
| 15 | RESERVED | 0, RO | RESERVED: Writes ignored, read as 0. |
| 14:12 | RESERVED | 000, RW | RESERVED: Must be zero. |
| 11:9 | SQUELCH | 100, RW | Squelch Configuration: Used to set the Squelch 'ON' threshold for the receiver. Default Squelch 'ON' is 330mV peak. |
| 8 | LOOPBACK_10_DIS | 0, RW | 10Base-T Loopback Disable: This bit is OR'ed with bit 14 (Loopback) in the BMCR. 1 = 10BT Loopback is disabled 0 = 10BT Loopback is enabled |
| | | | |
| 7 | LP_DIS | 0, RW | Normal Link Pulse Disable: This bit is OR'ed with the MAC_FORCE_LINK_10 signal. 1 = Transmission of NLPs is disabled. 0 = Transmission of NLPs is enabled. |
| | | | |
| 6 | FORCE_LINK_10 | 0, RW | Force 10 Mb Good Link: This bit is OR'ed with the MAC_FORCE_LINK_10 signal. 1 = Forced Good 10 Mb Link. 0 = Normal Link Status. |
| | | | |
| 5 | FORCE_POL_COR | 0, RW | Force 10 Mb Polarity Correction: 1 = Force inverted polarity 0 = Normal polarity |
| 4 | POLARITY | 0, RO/LH | 10 Mb Polarity Status: This bit is a duplication of bit 12 in the PHYSTS register. Both bits will be cleared upon a read of either register. 1 = Inverted Polarity detected. 0 = Correct Polarity detected. |
| | | | |
| | | | |
| 3 | AUTOPOL_DIS | 0, RW | Auto Polarity Detection & Correction Disable: 1 = Polarity Correction disabled 0 = Polarity Correction enabled |
| 2 | 10BT_SCALE - MSB | 1, RW | 10BT Scale Configuration Most Significant Bit Used in conjunction with bit 10 of SD_CNFG register to set the silence 'OFF' threshold for the receiver. |
| 1 | HEARTBEAT_DIS | 0, RW | Heartbeat Disable: This bit only has influence in half-duplex 10 Mb mode. 1 = Heartbeat function disabled. 0 = Heartbeat function enabled. |
| | | | When the device is operating at 100 Mb or configured for full duplex operation, this bit will be ignored - the heartbeat function is disabled. |
| 0 | JABBER_DIS | 0, RW | Jabber Disable: This bit is only applicable in 10BASE-T. 1 = Jabber function disabled. 0 = Jabber function enabled. |
| | | | |
| | | | |

10.2.8 CD Test and BIST Extensions Register (CDCTRL1)

This register controls test modes for the 10BASE-T Common Driver. In addition it contains extended control and status for the packet BIST function.

Table 10-23. CD Test and BIST Extensions Register (CDCTRL1), address 0x1B

| Bit | Bit Name | Default | Description |
|------|------------------|---------------|--|
| 15:8 | BIST_ERROR_COUNT | 0000 0000, RO | BIST ERROR Counter: Counts number of errored data nibbles during Packet BIST. This value will reset when Packet BIST is restarted. The counter sticks when it reaches its maximum count of FFh. |
| 7 | RESERVED | 0, RW | RESERVED: Must be 0. |
| 6 | MII_CLOCK_EN | 0, RW | Enables MII Clocks TX_CLK and RX_CLK independent of MAC interface mode selected; for example, normally TX_CLK and RX_CLK are disabled in RMII Slave mode. 1 = Enable TX_CLK and RX_CLK 0 = Default operation |
| 5 | BIST_CONT | 0, RW | Packet BIST Continuous Mode: Allows continuous pseudorandom data transmission without any break in transmission. This can be used for transmit VOD testing. This is used in conjunction with the BIST controls in the PHYCR Register (19h). For 10 Mb operation, jabber function must be disabled, bit 0 of the 10BTSCR (1Ah), JABBER_DIS = 1. |
| 4 | CDPATTEN_10 | 0, RW | CD Pattern Enable for 10 Mb: 1 = Enabled. 0 = Disabled. |
| 3 | MDIO_PULL_EN | 0, RW | Enable Internal MDIO Pullup: 1 = Internal MDIO pullup enabled 0 = Internal MDIO pullup disabled This bit is only reset on hard reset. This bit should not be set in systems that share the management interfaces among several ASICs. |
| 2 | PATT_GAP_10M | 0, RW | Defines gap between data or NLP test sequences: 1 = 15 μ s. 0 = 10 μ s. |
| 1:0 | CDPATTSEL[1:0] | 00, RW | CD Pattern Select[1:0]: If CDPATTEN_10 = 1: 00 = Data, EOP0 sequence. 01 = Data, EOP1 sequence. 10 = NLPs. 11 = Constant Manchester 1s (10 MHz sine wave) for harmonic distortion testing. |

10.2.9 PHY Control Register 2 (PHYCR2)

This register provides additional general control.

Table 10-24. PHY Control Register 2 (PHYCR2), address 0x1C

| Bit | Bit Name | Default | Description |
|-------|---------------|---------------|---|
| 15:14 | RESERVED | 00, RO | RESERVED: Writes ignored, read as 0. |
| 13 | SYNC_ENET EN | 0, RW | Synchronous Ethernet Enable: When this bit is 1 and the device is in 100 Mb/s mode, and the MAC interface is either MII or RMI Master, enables fully synchronous communication relative to the recovered receive clock. The transmitter is synchronized to the receiver. When this bit is 0 or the device settings do not match the above conditions, the transmitter is synchronous to the local reference clock. |
| 12 | CLK_OUT RXCLK | 0, RW | Enable RX_CLK on CLK_OUT: When this bit is 1 and the device is in 100 Mb/s mode, the 25 MHz recovered receive clock (RX_CLK) is driven on CLK_OUT in addition to RX_CLK. When this bit is 0 or the device is in 10 Mb/s mode, CLK_OUT reflects the Reference clock. |
| 11 | BC_WRITE | 0, RW | Broadcast Write Enable: 1 = Enables the Serial Management Interface to accept register writes to PHY Address of 0x1F independent of the local PHY Address value. 0 = Normal operation |
| 10 | PHYTER_COMP | 0, RW | Phyter Compatibility Mode: 1 = Enables Phyter (DP83848) Compatible pinout. Reorders the RX MII pins and Autonegotiation straps to match the DP83848. Also enables the CLK_OUT output. 0 = Normal operation |
| 9 | SOFT_RESET | 0, RW/SC | Soft Reset: Resets the entire device minus the registers - all configuration is preserved. 1 = Reset, self-clearing. |
| 8:2 | RESERVED | 0 0000 00, RO | RESERVED: Writes ignored, read as 0. |
| 1 | CLK_OUT_DIS | Strap, RW | Disable CLK_OUT Output: Disables the CLK_OUT output pin. |
| 0 | RESERVED | 0, RW | RESERVED: Must be zero. |

10.2.10 Energy Detect Control (EDCR)

This register provides control and status for the Energy Detect function.

Table 10-25. Energy Detect Control (EDCR), address 0x1D

| Bit | Bit Name | Default | Description |
|-----|---------------|-----------|--|
| 15 | ED_EN | 0, RW | Energy Detect Enable: Allow Energy Detect Mode. |
| 14 | ED_AUTO_UP | 1, RW | Energy Detect Automatic Power Up: Automatically begin power up sequence when Energy Detect Data Threshold value (EDCR[3:0]) is reached. Alternatively, the device could be powered up manually using the ED_MAN bit (EDCR[12]). |
| 13 | ED_AUTO_DOWN | 1, RW | Energy Detect Automatic Power Down: Automatically begin power down sequence when no energy is detected. Alternatively, the device could be powered down using the ED_MAN bit (EDCR[12]). |
| 12 | ED_MAN | 0, RW/SC | Energy Detect Manual Power Up/Down: Begin power up/down sequence when this bit is asserted. When set, the Energy Detect algorithm will initiate a change of Energy Detect state regardless of threshold (error or data) and timer values. In managed applications, this bit can be set after clearing the Energy Detect interrupt to control the timing of changing the power state. |
| 11 | ED_BURST_DIS | 0, RW | Energy Detect Burst Disable: Disable bursting of energy detect data pulses. By default, Energy Detect (ED) transmits a burst of 4 ED data pulses each time the CD is powered up. When bursting is disabled, only a single ED data pulse will be sent each time the CD is powered up. |
| 10 | ED_PWR_STATE | 0, RO | Energy Detect Power State: Indicates current Energy Detect Power state. When set, Energy Detect is in the powered up state. When cleared, Energy Detect is in the powered down state. This bit is invalid when Energy Detect is not enabled. |
| 9 | ED_ERR_MET | 0, RO/COR | Energy Detect Error Threshold Met: No action is automatically taken upon receipt of error events. This bit is informational only and would be cleared on a read. |
| 8 | ED_DATA_MET | 0, RO/COR | Energy Detect Data Threshold Met: The number of data events that occurred met or surpassed the Energy Detect Data Threshold. This bit is cleared on a read. |
| 7:4 | ED_ERR_COUNT | 0001, RW | Energy Detect Error Threshold: Threshold to determine the number of energy detect error events that should cause the device to take action. Intended to allow averaging of noise that may be on the line. Counter will reset after approximately 2 seconds without any energy detect data events. |
| 3:0 | ED_DATA_COUNT | 0001, RW | Energy Detect Data Threshold: Threshold to determine the number of energy detect events that should cause the device to take actions. Intended to allow averaging of noise that may be on the line. Counter will reset after approximately 2 seconds without any energy detect data events. |

10.2.11 PHY Control Frames Configuration Register (PCFCR)

This register provides configuration for the PHY Control Frame mechanism for register access.

Table 10-26. PHY Control Frames Configuration Register (PCFCR), address 0x1F

| Bit | Bit Name | Default | Description |
|------|-------------|------------|---|
| 15 | PCF_STS_ERR | 0, RO/COR | PHY Control Frame Error Detected: Indicates an error was detected in a PCF Frame since the last read of this register. This bit will be cleared on read. |
| 14 | PCF_STS_OK | 0, RO/COR | PHY Control Frame OK: Indicates a PCF Frame has completed without error since the last read of this register. This bit will be cleared on read. |
| 13:9 | RESERVED | 00 000, RO | Reserved: Writes ignored, read as 0 |
| 8 | PCF_DA_SEL | 0, RW | Select MAC Destination Address for PHY Control Frames: 0 : Use MAC Address [08 00 17 0B 6B 0F] 1 : Use MAC Address [08 00 17 00 00 00] The device will also recognize packets with the above address with the Multicast bit set (i.e. 09 00 17 ...). |
| 7:6 | PCF_INT_CTL | 00, RW | PHY Control Frame Interrupt Control: Setting either of these bits enables control and status of the PCF Interrupt through the MISR Register (taking the place of the RHF Interrupt). 00 = PCF Interrupts Disabled x1 = Interrupt on PCF Frame OK 1x = Interrupt on PCF Frame Error |
| 5 | PCF_BC_DIS | 0, RW | PHY Control Frame Broadcast Disable: By default, the device will accept broadcast PHY Control Frames which have a PHY Address field of 0x1F. If this bit is set to a 1, the PHY Control Frame must have a PHY Address field that exactly matches the device PHY Address. |
| 4:1 | PCF_BUF | 0 000, RW | PHY Control Frame Buffer Size: Determines the buffer size for transmit to allow PHY Control Frame detection. All packets will be delayed as they pass through this buffer. If set to 0, packets will not be delayed and PHY Control frames will be truncated after the Destination Address field. |
| 0 | PCF_EN | Strap, RW | PHY Control Frame Enable: Enables Register writes using PHY Control Frames. |

10.3 TEST REGISTERS - PAGE 1

Page 1 Test Registers are accessible by setting bits [2:0] = 001 of PAGESEL (13h).

10.3.1 Signal Detect Configuration (SD_CNFG), Page 1

This register contains Signal Detect configuration control as well as some test controls to speed up Auto-neg testing.

Table 10-27. Signal Detect Configuration (SD_CNFG), address 0x1E

| Bit | Bit Name | Default | Description |
|-------|----------|---------------|--|
| 15 | RESERVED | 1, RW | RESERVED: Write as 1, read as 1. |
| 14:12 | RESERVED | 000, RW | RESERVED: Write as 0, read as 0. |
| 11 | RESERVED | 0, RO | RESERVED: Write ignored, read as 0. |
| 10:9 | RESERVED | 00, RW | RESERVED: Write as 0, read as 0. |
| 8 | SD_TIME | 0, RW | Signal Detect Time Setting this bit to a 1 enables a fast detection of loss of Signal Detect. This will result in a fast loss of Link indication. Approximate times to detect signal detect deassertion are: 1 = 1 μ s 0 = 250 μ s |
| 7:0 | RESERVED | 0000 0000, RW | RESERVED: Write as 0, read as 0. |

10.4 LINK DIAGNOSTICS REGISTERS - PAGE 2

Page 2 Link Diagnostics Registers are accessible by setting bits [2:0] = 010 of PAGESEL (13h).

10.4.1 100 Mb Length Detect Register (LEN100_DET), Page 2

This register contains linked cable length estimation in 100 Mb operation. The cable length is an estimation of the effective cable length based on the characteristics of the recovered signal. The cable length is valid only during 100 Mb operation with a valid Link status indication.

Table 10-28. 100 Mb Length Detect Register (LEN100_DET), address 0x14

| Bit | Bit Name | Default | Description |
|------|-----------|---------------|---|
| 15:8 | RESERVED | 0000 0000, RO | RESERVED: Writes ignored, read as 0. |
| 7:0 | CABLE_LEN | 1111 1111, RO | Cable Length Estimate: Indicates an estimate of effective cable length in meters. A value of FFh indicates cable length cannot be determined. |

10.4.2 100 Mb Frequency Offset Indication Register (FREQ100), Page 2

This register returns an indication of clock frequency offset relative to the link partner. Two values can be read, the long term Frequency Offset, or a short term Frequency Control value. The Frequency Control value includes short term phase correction. The variance between the Frequency Control value and the Frequency Offset can be used as an indication of the amount of jitter in the system.

Table 10-29. 100 Mb Frequency Offset Indication Register (FREQ100), address 0x15

| Bit | Bit Name | Default | Description |
|------|-------------|---------------|---|
| 15 | SAMPLE_FREQ | 0, WO | Sample Frequency Offset: If SEL_FC is set to a 0, then setting this bit to a 1 will poll the DSP for the long-term Frequency Offset value. The value will be available in the FREQ_OFFSET bits of this register. If SEL_FC is set to a 1, then setting this bit to a 1 will poll the DSP for the current Frequency Control value. The value will be available in the FREQ_OFFSET bits of this register. This register bit will always read back as 0. |
| 14:9 | RESERVED | 000 000, RO | RESERVED: Writes ignored, read as 0. |
| 8 | SEL_FC | 0, RW | Select Frequency Control: Setting this bit to a 1 will select the current Frequency Control value instead of the Frequency Offset. This value contains Frequency Offset plus the short term phase correction and can be used to indicate amount of jitter in the system. The value will be available in the FREQ_OFFSET bits of this register. |
| 7:0 | FREQ_OFFSET | 0000 0000, RO | Frequency Offset: Frequency offset value loaded from the DSP following assertion of the SAMPLE_FREQ control bit. The Frequency Offset or Frequency Control value is a twos-complement signed value in units of approximately 5.1562 ppm. The range is as follows: 0x7F = +655 ppm 0x00 = 0 ppm 0x80 = -660 ppm |

10.4.3 TDR Control Register (TDR_CTRL), Page 2

This register contains control for the Time Domain Reflectometry (TDR) cable diagnostics. The TDR cable diagnostics sends pulses down the cable and captures reflection data to be used to estimate cable length and detect certain cabling faults.

Table 10-30. TDR Control Register (TDR_CTRL), address 0x16

| Bit | Bit Name | Default | Description |
|------|--------------|-------------|---|
| 15 | TDR_ENABLE | 0, RW | TDR Enable: Enable TDR mode. This forces the powerup state to the correct operating condition for sending and receiving TDR pulses. |
| 14 | TDR_100Mb | 0, RW | TDR 100Mb: Sets the TDR controller to use the 100 Mb Transmitter. This allows for sending pulse widths in multiples of 8ns. Pulses in 100 Mb mode will alternate between positive pulses and negative pulses. Default operation uses the 10 Mb Link Pulse generator. Pulses may include just the 50 ns pre-emphasis portion of the pulse or the 100 ns full link pulse (as controlled by setting TDR Width). |
| 13 | TX_CHANNEL | 0, RW | Transmit Channel Select: Select transmit channel for sending pulses. The pulse can be sent on the Transmit or Receive pair. 0 : Transmit channel 1 : Receive channel |
| 12 | RX_CHANNEL | 0, RW | Receive Channel Select: Select receive channel for detecting pulses. The pulse can be monitored on the Transmit or Receive pair. 0 : Transmit channel 1 : Receive channel |
| 11 | SEND_TDR | 0, RW/SC | Send TDR Pulse: Setting this bit will send a TDR pulse and enable the monitor circuit to capture the response. This bit will automatically clear when the capture is complete. |
| 10:8 | TDR_WIDTH | 000, RW | TDR Pulse Width: Pulse width in clocks for the transmitted pulse. In 100 Mb mode, pulses are in 8 ns increments. In 10 Mb mode, pulses are in 50 ns increments, but only 50 ns or 100 ns pulses can be sent. Sending a pulse of 0 width will not transmit a pulse, but allows for baseline testing. |
| 7 | TDR_MIN_MODE | 0, RW | Min/Max Mode control: This bit controls direction of the pulse to be detected. Default looks for a positive peak. Threshold and peak values will be interpreted appropriately based on this bit. 0 : Max Mode, detect positive peak 1 : Min Mode, detect negative peak |
| 6 | RESERVED | 0, RW | RESERVED: Must be zero. |
| 5:0 | RX_THRESHOLD | 10 0000, RW | RX Threshold: This value provides a threshold for measurement to the start of a peak. If Min Mode is set to 0, data must be greater than this value to trigger a capture. If Min Mode is 1, data must be less than this value to trigger a capture. Data ranges from 0x00 to 0x3F, with 0x20 as the midpoint. Positive data is greater than 0x20, negative data is less than 0x20. |

10.4.4 TDR Window Register (TDR_WIN), Page 2

This register contains sample window control for the Time Domain Reflectometry (TDR) cable diagnostics. The two values contained in this register specify the beginning and end times for the window to monitor the response to the transmitted pulse. Time values are in 8 ns increments. This provides a method to search for multiple responses and also to screen out the initial outgoing pulse.

Table 10-31. TDR Window Register (TDR_WIN), address 0x17

| Bit | Bit Name | Default | Description |
|------|-----------|---------------|---|
| 15:8 | TDR_START | 0000 0000, RW | TDR Start Window: Specifies start time for monitoring TDR response. |
| 7:0 | TDR_STOP | 0000 0000, RW | TDR Stop Window: Specifies stop time for monitoring TDR response. The Stop Window should be set to a value greater than or equal to the Start Window. |

10.4.5 TDR Peak Register (TDR_PEAK), Page 2

This register contains the results of the TDR Peak Detection. Results are valid if the TDR_CTRL[11] is clear following sending the TDR pulse.

Table 10-32. TDR Peak Register (TDR_PEAK), address 0x18

| Bit | Bit Name | Default | Description |
|-------|---------------|---------------|--|
| 15:14 | RESERVED | 00, RO | RESERVED: Writes ignored, read as 0. |
| 13:8 | TDR_PEAK | 00 0000, RO | TDR Peak Value: This register contains the peak value measured during the TDR sample window. If Min Mode control (TDR_CTRL[7]) is 0, this contains the maximum detected value. If Min Mode control is 1, this contains the minimum detected value. |
| 7:0 | TDR_PEAK_TIME | 0000 0000, RO | TDR Peak Time: Specifies the time for the first occurrence of the peak value. |

10.4.6 TDR Threshold Register (TDR_THR), Page 2

This register contains the results of the TDR Threshold Detection. Results are valid if the TDR_CTRL[11] is clear following sending the TDR pulse.

Table 10-33. TDR Threshold Register (TDR_THR), address 0x19

| Bit | Bit Name | Default | Description |
|------|--------------|---------------|---|
| 15:9 | RESERVED | 0000 000, RO | RESERVED: Writes ignored, read as 0. |
| 8 | TDR_THR_MET | 0, RO | TDR Threshold Met: This bit indicates the TDR threshold was met during the sample window. A value of 0 indicates the threshold was not met. |
| 7:0 | TDR_THR_TIME | 0000 0000, RO | TDR Threshold Time: Specifies the time for the first data that met the TDR threshold. This field is only valid if the threshold was met. |

10.4.7 Variance Control Register (VAR_CTRL), Page 2

The Variance Control and Data Registers provide control and status for the Cable Signal Quality Estimation function. The Cable Signal Quality Estimation allows a simple method of determining an approximate Signal-to-Noise Ratio for the 100 Mb receiver. This register contains the programmable controls and status bits for the variance computation, which can be used to make a simple Signal-to-Noise Ratio estimation.

Table 10-34. Variance Control Register (VAR_CTRL), address 0x1A

| Bit | Bit Name | Default | Description |
|------|------------|-------------------|--|
| 15 | VAR_RDY | 0, RO | Variance Data Ready Status: Indicates new data is available in the Variance data register. This bit will be automatically cleared after two consecutive reads of VAR_DATA. |
| 14:4 | RESERVED | 000 0000 0000, RO | RESERVED: Writes ignored, read as 0. |
| 3 | VAR_FREEZE | 0, RW | Freeze Variance Registers: Freeze VAR_DATA register. This bit ensures that VAR_DATA register is frozen for software reads. This bit is automatically cleared after two consecutive reads of VAR_DATA. |
| 2:1 | VAR_TIMER | 00, RW | Variance Computation Timer (in ms): Selects the Variance computation timer period. After a new value is written, computation is automatically restarted. New variance register values are loaded after the timer elapses. Var_Timer = 0 => 2 ms timer (default) Var_Timer = 1 => 4 ms timer Var_Timer = 2 => 6 ms timer Var_Timer = 3 => 8 ms timer Time units are actually 2^{17} cycles of an 8 ns clock, or 1.048576 ms. |
| 0 | VAR_ENABLE | 0, RW | Variance Enable: Enable Variance computation. Off by default. |

10.4.8 Variance Data Register (VAR_DATA), Page 2

This register contains the 32-bit Variance Sum. The contents of the data are valid only when VAR_RDY is asserted in the VAR_CTRL register. Upon detection of VAR_RDY asserted, software should set the VAR_FREEZE bit in the VAR_CTRL register to prevent loading of a new value into the VAR_DATA register. Since the Variance Data value is 32-bits, two reads of this register are required to get the full value.

Table 10-35. Variance Data Register (VAR_DATA), address 0x1B

| Bit | Bit Name | Default | Description |
|------|----------|-------------------------|--|
| 15:0 | VAR_DATA | 0000 0000 0000 0000, RO | Variance Data: Two reads are required to return the full 32-bit Variance Sum value. Following setting the VAR_FREEZE control, the first read of this register will return the low 16 bits of the Variance data. A second read will return the high 16 bits of Variance data. |

10.4.9 Link Quality Monitor Register (LQMR), Page 2

This register contains the controls for the Link Quality Monitor function. The Link Quality Monitor provides a mechanism for programming a set of thresholds for DSP parameters. If the thresholds are violated, an interrupt will be asserted if enabled in the MISR. Monitor control and status are available in this register, while the LQDR register controls read/write access to threshold values and current parameter values. Reading the LQMR register clears warning bits and re-arms the interrupt generation. In addition, this register provides a mechanism for allowing automatic reset of the 100 Mb link based on the Link Quality Monitor status.

Table 10-36. Link Quality Monitor Register (LQMR), address 0x1D

| Bit | Bit Name | Default | Description |
|-----|-----------------|-----------|--|
| 15 | LQM_ENABLE | 0, RW | Link Quality Monitor Enable: Enables the Link Quality Monitor. The enable is qualified by having a valid 100 Mb link. In addition, the individual thresholds can be disabled by setting to the maximum or minimum values. |
| 14 | RESTART_ON_FC | 0, RW | Restart on Frequency Control Warning: Allow automatic reset of DSP and restart of 100 Mb Adaption on detecting a Frequency Threshold violation. If the SD_Option bit, PCSR[8], is set to 0, the threshold violation will also result in a drop in Link status. |
| 13 | RESTART_ON_FREQ | 0, RW | Restart on Frequency Offset Warning: Allow automatic reset of DSP and restart of 100 Mb Adaption on detecting a Frequency Offset Threshold violation. If the SD_Option bit, PCSR[8], is set to 0, the threshold violation will also result in a drop in Link status. |
| 12 | RESTART_ON_DBLW | 0, RW | Restart on DBLW Warning: Allow automatic reset of DSP and restart of 100 Mb Adaption on detecting a DBLW Threshold violation. If the SD_Option bit, PCSR[8], is set to 0, the threshold violation will also result in a drop in Link status. |
| 11 | RESTART_ON_DAGC | 0, RW | Restart on DAGC Warning: Allow automatic reset of DSP and restart of 100 Mb Adaption on detecting a DAGC Threshold violation. If the SD_Option bit, PCSR[8], is set to 0, the threshold violation will also result in a drop in Link status. |
| 10 | RESTART_ON_C1 | 0, RW | Restart on C1 Warning: Allow automatic reset of DSP and restart of 100 Mb Adaption on detecting a C1 Threshold violation. If the SD_Option bit, PCSR[8], is set to 0, the threshold violation will also result in a drop in Link status. |
| 9 | FC_HI_WARN | 0, RO/COR | Frequency Control High Warning: This bit indicates the Frequency Control High Threshold was exceeded. This register bit will be cleared on read. |
| 8 | FC_LO_WARN | 0, RO/COR | Frequency Control Low Warning: This bit indicates the Frequency Control Low Threshold was exceeded. This register bit will be cleared on read. |
| 7 | FREQ_HI_WARN | 0, RO/COR | Frequency Offset High Warning: This bit indicates the Frequency Offset High Threshold was exceeded. This register bit will be cleared on read. |
| 6 | FREQ_LO_WARN | 0, RO/COR | Frequency Offset Low Warning: This bit indicates the Frequency Offset Low Threshold was exceeded. This register bit will be cleared on read. |
| 5 | DBLW_HI_WARN | 0, RO/COR | DBLW High Warning: This bit indicates the DBLW High Threshold was exceeded. This register bit will be cleared on read. |
| 4 | DBLW_LO_WARN | 0, RO/COR | DBLW Low Warning: This bit indicates the DBLW Low Threshold was exceeded. This register bit will be cleared on read. |
| 3 | DAGC_HI_WARN | 0, RO/COR | DAGC High Warning: This bit indicates the DAGC High Threshold was exceeded. This register bit will be cleared on read. |

Table 10-36. Link Quality Monitor Register (LQMR), address 0x1D (continued)

| Bit | Bit Name | Default | Description |
|-----|--------------|-----------|--|
| 2 | DAGC_LO_WARN | 0, RO/COR | DAGC Low Warning: This bit indicates the DAGC Low Threshold was exceeded. This register bit will be cleared on read. |
| 1 | C1_HI_WARN | 0, RO/COR | C1 High Warning: This bit indicates the DEQ C1 High Threshold was exceeded. This register bit will be cleared on read. |
| 0 | C1_LO_WARN | 0, RO/COR | C1 Low Warning: This bit indicates the DEQ C1 Low Threshold was exceeded. This register bit will be cleared on read. |

10.4.10 Link Quality Data Register (LQDR), Page 2

This register provides read/write control of thresholds for the 100 Mb Link Quality Monitor function. The register also provides a mechanism for reading current adapted parameter values. Threshold values may not be written if the device is powered-down.

Table 10-37. Link Quality Data Register (LQDR), address 0x1E

| Bit | Bit Name | Default | Description |
|-------|--------------|---------|---|
| 15:14 | RESERVED | 00, RO | RESERVED: Writes ignored, read as 0. |
| 13 | SAMPLE_PARAM | 0, RW | Sample DSP Parameter: Setting this bit to a 1 enables reading of current parameter values and initiates sampling of the parameter value. The parameter to be read is selected by the LQ_PARAM_SEL bits. |
| 12 | WRITE_LQ_THR | 0, RW | Write Link Quality Threshold: Setting this bit will cause a write to the Threshold register selected by LQ_PARAM_SEL and LQ_THR_SEL. The data written is contained in LQ_THR_DATA. This bit will always read back as 0. |
| 11:9 | LQ_PARAM_SEL | 000, RW | Link Quality Parameter Select: This 3-bit field selects the Link Quality Parameter. This field is used for sampling current parameter values as well as for reads/writes to Threshold values. The following encodings are available: 000: DEQ_C1 001: DAGC 010: DBLW 011: Frequency Offset 100: Frequency Control 101: Variance most significant bits 31:16 |

Table 10-37. Link Quality Data Register (LQDR), address 0x1E (continued)

| Bit | Bit Name | Default | Description |
|-----|-------------|---------------|---|
| 8 | LQ_THR_SEL | 0, RW | Link Quality Threshold Select: This bit selects the Link Quality Threshold to be read or written. A 0 selects the Low threshold, while a 1 selects the high threshold. When combined with the LQ_PARAM_SEL field, the following encodings are available {LQ_PARAM_SEL, LQ_THR_SEL}: 000,0: DEQ_C1 Low 000,1: DEQ_C1 High 001,0: DAGC Low 001,1: DAGC High 010,0: DBLW Low 010,1: DBLW High 011,0: Frequency Offset Low 011,1: Frequency Offset High 100,0: Frequency Control Low 100,1: Frequency Control High 101,0: Variance High bits 7:0 (Variance bits 23:16) 101,1: Variance High bits 15:8 (Variance bits 31:24) |
| 7:0 | LQ_THR_DATA | 1000 0000, RW | Link Quality Threshold Data: The operation of this field is dependent on the value of the SAMPLE_PARAM bit. If SAMPLE_PARAM = 0: On a write, this value contains the data to be written to the selected Link Quality Threshold register. On a read, this value contains the current data in the selected Link Quality Threshold register. If SAMPLE_PARAM = 1: On a read, this value contains the sampled parameter value. This value will remain unchanged until a new read sequence is started. |

10.4.11 Link Quality Monitor Register 2 (LQMR2), Page 2

This register contains additional controls for the Link Quality Monitor function. The Link Quality Monitor provides a mechanism for programming a set of thresholds for DSP parameters. If the thresholds are violated, an interrupt will be asserted if enabled in the MISR. Monitor control and status are available in this register, while the LQDR register controls read/write access to threshold values and current parameter values. Reading of LQMR2 register clears its warning bits but does NOT re-arm the interrupt generation; LQMR must be read to re-arm interrupt generation. In addition, this register provides a mechanism for allowing automatic reset of the 100 Mb link based on the Link Quality Monitor variance status.

Table 10-38. Link Quality Monitor Register 2 (LQMR2), address 0x1F

| Bit | Bit Name | Default | Description |
|-----------|----------------|----------------|--|
| 15:1 1 | RESERVED | 0000 0, RO | Reserved: Writes ignored, Read as 0 |
| 10 | RESTART_ON_VAR | 0, RW | Restart on Variance Warning: Allow automatic reset of DSP and restart of 100 Mb Adaption on detecting a Frequency Offset Threshold violation. If the SD_Option bit, PCSR[8], is set to 0, the threshold violation will also result in a drop in Link status. |
| 9:2 | RESERVED | 00 0000 00, RO | Reserved: Writes ignored, Read as 0 |
| 1 | VAR_HI_WARN | 0, RO/COR | Variance High Warning: This bit indicates the Variance High Threshold was exceeded. This register bit will be cleared on read. |
| 0 | RESERVED | 0, RO | Reserved: Writes ignored, Read as 0 |

10.5 PTP 1588 BASE REGISTERS - PAGE 4

Page 4 PTP 1588 Base Registers are accessible by setting bits [2:0] = 100 of PAGESEL (13h).

10.5.1 PTP Control Register (PTP_CTL), Page 4

This register provides basic control of the PTP 1588 operation.

Table 10-39. PTP Control Register (PTP_CTL), address 0x14

| Bit | Bit Name | Default | Description |
|-----------|--------------|----------|--|
| 15:1 3 | RESERVED | 000, RO | Reserved: Writes ignored, Read as 0 |
| 12:1 0 | TRIG_SEL | 000, RW | PTP Trigger Select: This field selects the Trigger for loading control information or for enabling the Trigger. |
| 9 | TRIG_DIS | 0, RW/SC | Disable PTP Trigger: Setting this bit will disable the selected Trigger. This bit does not indicate Disable status for Triggers. The PTP Trigger Status Register should be used to determine Trigger Status. This bit is self-clearing and will always read back as 0. Disabling a Trigger will not disconnect it from a GPIO pin. The Trigger value will still be driven to the GPIO if the Trigger is assigned to a GPIO. |
| 8 | TRIG_EN | 0, RW/SC | Enable PTP Trigger: Setting this bit will enable the selected Trigger. This bit does not indicate Enable status for Triggers. The PTP Trigger Status Register should be used to determine Trigger Status. This bit is self-clearing and will always read back as 0. |
| 7 | TRIG_READ | 0, RW/SC | Read PTP Trigger: Setting this bit will begin the Trigger Read process. The Trigger is selected based on the setting of the TRIG_SEL bits in this register. Upon setting this bit, subsequent reads of the PTP_TDR will return the Trigger Control values. Fields are read in the same order as written. |
| 6 | TRIG_LOAD | 0, RW/SC | Load PTP Trigger: Setting this bit will disable the selected Trigger and begin the Trigger load process. The Trigger is selected based on the setting of the TRIG_SEL bits in this register. Upon setting this bit, subsequent writes to the PTP_TDR will set the Trigger Control fields for the selected Trigger. The Trigger Load is completed once all fields have been written, or the TRIG_EN bit has been set in this register. This bit is self-clearing and will read back as 0 when the Trigger Load is completed either by writing all Trigger Control fields, or by setting the Trigger Enable. |
| 5 | PTP_RD_CLK | 0, RW/SC | Read PTP Clock: Setting this bit will cause the device to sample the PTP Clock time value. The time value will be made available for reading through the PTP_TDR register. This bit is self-clearing and will always read back as 0. |
| 4 | PTP_LOAD_CLK | 0, RW/SC | Load PTP Clock: Setting this bit will cause the device to load the PTP Clock time value from data previously written to the PTP_TDR register. This bit is self-clearing and will always read back as 0. |
| 3 | PTP_STEP_CLK | 0, RW/SC | Step PTP Clock: Setting this bit will cause the device to add a value to the PTP Clock. The value to be added is the value previously written to the PTP_TDR register. This bit is self-clearing and will always read back as 0. |
| 2 | PTP_ENABLE | 0, RW | Enable PTP Clock: Setting this bit will enable the PTP Clock. Reading this bit will return the current enabled value. Writing a 0 to this bit will have no effect. |
| 1 | PTP_DISABLE | 0, RW/SC | Disable PTP Clock: Setting this bit will disable the PTP Clock. Writing a 0 to this bit will have no effect. This bit is self-clearing and will always read back as 0. |
| 0 | PTP_RESET | 0, RW | Reset PTP Clock: Setting this bit will reset the PTP Clock and associated logic. In addition, the 1588 registers will be reset, with the exception of the PTP_COC and PTP_CLKSRC registers. Unlike other bits in this register, this bit is not self-clearing and must be written to 0 to release the clock and logic from reset. |

10.5.2 PTP Time Data Register (PTP_TDR), Page 4

This register provides a mechanism for reading and writing the 1588 Time and Trigger Control values. The function of this register is determined by controls in the PTP_CTL register.

Table 10-40. PTP Time Data Register (PTP_TDR), address 0x15

| Bit | Bit Name | Default | Description |
|------|-----------|--|--|
| 15:0 | TIME_DATA | XXXX XXXX XXXX XXXX, RO XXXX XXXX XXXX XXXX, WO | Time Data: On Reads, successively returns 16-bit values of the Clock time or Trigger Control information as selected by controls in the PTP Control Register. Additional reads beyond the available fields will always return 0. On Writes, successively stores the 16-bit values of Clock time or Trigger Control Information as selected by controls in the PTP Control Register. |

10.5.3 PTP Status Register (PTP_STS), Page 4

This register provides basic status and interrupt control for the PTP 1588 operation.

Table 10-41. PTP Status Register (PTP_STS), address 0x16

| Bit | Bit Name | Default | Description |
|-----------|-----------|-----------|---|
| 15:1 2 | RESERVED | 0000, RO | Reserved: Writes ignored, Read as 0 |
| 11 | TXTS_RDY | 0, RO | Transmit Timestamp Ready: A Transmit Timestamp is available for an outbound PTP Message. This bit will be cleared upon read of the Transmit Timestamp if no other timestamps are ready. |
| 10 | RXTS_RDY | 0, RO | Receive Timestamp Ready: A Receive Timestamp is available for an inbound PTP Message. This bit will be cleared upon read of the Receive Timestamp if no other timestamps are ready. |
| 9 | TRIG_DONE | 0, RO/COR | PTP Trigger Done: A PTP Trigger has occurred. This bit will be cleared upon read. This bit will only be set if Trigger Notification is turned on for the Trigger through the Trigger Configuration Registers. |
| 8 | EVENT_RDY | 0, RO | PTP Event Timestamp Ready: A PTP Event Timestamp is available. This bit will be cleared upon read of the PTP Event Status Register if no other event timestamps are ready. |
| 7:4 | RESERVED | 0000, RO | Reserved: Writes ignored, Read as 0 |
| 3 | TXTS_IE | 0, RW | Transmit Timestamp Interrupt Enable: Enable Interrupt on Transmit Timestamp Ready. |
| 2 | RXTS_IE | 0, RW | Receive Timestamp Interrupt Enable: Enable Interrupt on Receive Timestamp Ready. |
| 1 | TRIG_IE | 0, RW | Trigger Interrupt Enable: Enable Interrupt on Trigger Completion. |
| 0 | EVENT_IE | 0, RW | Event Interrupt Enable: Enable Interrupt on Event Timestamp Ready. |

10.5.4 PTP Trigger Status Register (PTP_TSTS), Page 4

This register provides status of the PTP 1588 Triggers. The bits in this register indicate the current status of each of the Trigger modules. The error bits will be set if the associated notification enable (TRIGN_NOTIFY) is set in the PTP Trigger Configuration Registers.

Table 10-42. PTP Trigger Status Register (PTP_TSTS), address 0x17

| Bit | Bit Name | Default | Description |
|-----|--------------|----------|---|
| 15 | TRIG7_ERROR | 0, RO/SC | Trigger 7 Error: This bit indicates the Trigger was improperly programmed to trigger at a time prior to the current time. This bit will be cleared when the Trigger is disabled and/ or re-armed. |
| 14 | TRIG7_ACTIVE | 0, RO/SC | Trigger 7 Active: This bit indicates the Trigger is enabled and has not completed. |
| 13 | TRIG6_ERROR | 0, RO/SC | Trigger 6 Error: This bit indicates the Trigger was improperly programmed to trigger at a time prior to the current time. This bit will be cleared when the Trigger is disabled and/ or re-armed. |
| 12 | TRIG6_ACTIVE | 0, RO/SC | Trigger 6 Active: This bit indicates the Trigger is enabled and has not completed. |
| 11 | TRIG5_ERROR | 0, RO/SC | Trigger 5 Error: This bit indicates the Trigger was improperly programmed to trigger at a time prior to the current time. This bit will be cleared when the Trigger is disabled and/ or re-armed. |
| 10 | TRIG5_ACTIVE | 0, RO/SC | Trigger 5 Active: This bit indicates the Trigger is enabled and has not completed. |
| 9 | TRIG4_ERROR | 0, RO/SC | Trigger 4 Error: This bit indicates the Trigger was improperly programmed to trigger at a time prior to the current time. This bit will be cleared when the Trigger is disabled and/ or re-armed. |
| 8 | TRIG4_ACTIVE | 0, RO/SC | Trigger 4 Active: This bit indicates the Trigger is enabled and has not completed. |
| 7 | TRIG3_ERROR | 0, RO/SC | Trigger 3 Error: This bit indicates the Trigger was improperly programmed to trigger at a time prior to the current time. This bit will be cleared when the Trigger is disabled and/ or re-armed. |
| 6 | TRIG3_ACTIVE | 0, RO/SC | Trigger 3 Active: This bit indicates the Trigger is enabled and has not completed. |
| 5 | TRIG2_ERROR | 0, RO/SC | Trigger 2 Error: This bit indicates the Trigger was improperly programmed to trigger at a time prior to the current time. This bit will be cleared when the Trigger is disabled and/ or re-armed. |
| 4 | TRIG2_ACTIVE | 0, RO/SC | Trigger 2 Active: This bit indicates the Trigger is enabled and has not completed. |
| 3 | TRIG1_ERROR | 0, RO/SC | Trigger 1 Error: This bit indicates the Trigger was improperly programmed to trigger at a time prior to the current time. This bit will be cleared when the Trigger is disabled and/ or re-armed. |
| 2 | TRIG1_ACTIVE | 0, RO/SC | Trigger 1 Active: This bit indicates the Trigger is enabled and has not completed. |
| 1 | TRIG0_ERROR | 0, RO/SC | Trigger 0 Error: This bit indicates the Trigger was improperly programmed to trigger at a time prior to the current time. This bit will be cleared when the Trigger is disabled and/ or re-armed. |
| 0 | TRIG0_ACTIVE | 0, RO/SC | Trigger 0 Active: This bit indicates the Trigger is enabled and has not completed. |

10.5.5 PTP Rate Low Register (PTP_RATEL), Page 4

This register contains the low 16-bits of the PTP Rate control. The PTP Rate Control indicates a positive or negative adjustment to the reference clock period in units of 2^{-32} ns. On each reference clock cycle, the PTP Clock will be adjusted by adding REF_CLK_PERIOD +/- PTP_RATE. The PTP Rate should be written as PTP_RATEH, followed by PTP_RATEL. The rate will take effect on the write to the PTP_RATEL register.

Table 10-43. PTP Rate Low Register (PTP_RATEL), address 0x18

| Bit | Bit Name | Default | Description |
|------|-------------|----------------------------|---|
| 15:0 | PTP_RATE_LO | 0000 0000 0000 0000, RW | PTP Rate Low 16-bits: Writing to this register will set the low 16-bits of the Rate Control value. The Rate Control value is in units of 2^{-32} ns. Upon writing to this register, the full Rate Control value will be loaded to the device. |

10.5.6 PTP Rate High Register (PTP_RATEH), Page 4

This register contains the upper bits of the PTP Rate control. In addition, it contains a direction control to indicate whether the device is operating faster or slower than the reference clock frequency. When setting the PTP Rate, this register should be written first, followed by a write to the PTP_RATEL register. The rate will take effect on the write to the PTP_RATEL register.

Table 10-44. PTP Rate High Register (PTP_RATEH), address 0x19

| Bit | Bit Name | Default | Description |
|-------|--------------|------------------|---|
| 15 | PTP_RATE_DIR | 0, RW | PTP Rate Direction: The setting of this bit controls whether the device will operate at a higher or lower frequency than the reference clock. 0 : Higher Frequency. The PTP_RATE value will be added to the clock on every cycle. 1 : Lower Frequency. The PTP_RATE value will be subtracted from the clock on every cycle. |
| 14 | PTP_TMP_RATE | 0, RW | PTP Temporary Rate: Setting this bit will cause the rate to be applied to the clock for the duration set in the PTP Temporary Rate Duration Register (PTP_TRD). 1 : Temporary Rate 0 : Normal Rate |
| 13:10 | RESERVED | 00 00, RO | Reserved: Writes ignored, Read as 0 |
| 9:0 | PTP_RATE_HI | 00 0000 0000, RW | PTP Rate High 10-bits: Writing to this register will set the high 10-bits of the Rate Control value. The Rate Control value is in units of 2^{-32} ns. |

10.5.7 PTP Read Checksum (PTP_RDCKSUM), Page 4

This register keeps a running one's complement checksum of 16-bit read data values for valid Page 4 read accesses. Clear the checksum on a read to this register; read data from this register is not accumulated in the read checksum since the register is cleared on read. However, read data from the write checksum register is accumulated to allow cross checking. Checksums are not accumulated for PHY Control Frame register accesses, but are cleared on management or PHY Control Frame reads.

Table 10-45. PTP Read Checksum (PTP_RDCKSUM), address 0x1A

| Bit | Bit Name | Default | Description |
|------|----------|---------------------------------|---------------------------|
| 15:0 | RD_CKSUM | XXXX XXXX XXXX XXXX, RO/ COR | PTP Page 4 Read Checksum. |

10.5.8 PTP Write Checksum (PTP_WRCKSUM), Page 4

This register keeps a running one's complement checksum of 16-bit write data values for Page 4 write accesses. Clear the checksum on a read. Write data to this register or the read checksum register ARE accumulated in the write checksum to allow cross checking. Read data from this register is accumulated in the read checksum to allow cross checking. Checksums are not accumulated for PHY Control Frame register accesses, but are cleared on management or PHY Control Frame reads.

Table 10-46. PTP Write Checksum (PTP_WRCKSUM), address 0x1B

| Bit | Bit Name | Default | Description |
|------|----------|---------------------------------|----------------------------|
| 15:0 | WR_CKSUM | XXXX XXXX XXXX XXXX, RO/ COR | PTP Page 4 Write Checksum. |

10.5.9 PTP Transmit Timestamp Register (PTP_TXTS), Page 4

This register provides a mechanism for reading the Transmit Timestamp. The fields are read in the following order:

- Timestamp_ns [15:0]
- Overflow_cnt[1:0], Timestamp_ns[29:16]
- Timestamp_sec[15:0]
- Timestamp_sec[31:16]

The Overflow_cnt value indicates if timestamps were dropped due to an overflow of the Transmit Timestamp queue. The overflow counter will stick at a value of three if additional timestamps were missed.

Table 10-47. PTP Transmit Timestamp Register (PTP_TXTS), address 0x1C

| Bit | Bit Name | Default | Description |
|------|-----------|----------------------------|--|
| 15:0 | PTP_TX_TS | 0000 0000 0000 0000, RO | PTP Transmit Timestamp: Reading this register will return the Transmit Timestamp in four 16-bit reads. |

10.5.10 PTP Receive Timestamp Register (PTP_RXTS), Page 4

This register provides a mechanism for reading the Receive Timestamp and identification information. The fields are read in the following order:

- Timestamp_ns [15:0]
- Overflow_cnt[1:0], Timestamp_ns[29:16]
- Timestamp_sec[15:0]
- Timestamp_sec[31:16]
- sequenceId[15:0]
- messageType[3:0], source_hash[11:0]

The Overflow_cnt value indicates if timestamps were dropped due to an overflow of the Transmit Timestamp queue. The overflow counter will stick at a value of three if additional timestamps were missed.

Table 10-48. PTP Receive Timestamp Register (PTP_RXTS), address 0x1D

| Bit | Bit Name | Default | Description |
|------|-----------|----------------------------|--|
| 15:0 | PTP_RX_TS | 0000 0000 0000 0000, RO | PTP Receive Timestamp: Reading this register will return the Receive Timestamp in four 16-bit reads. |

10.5.11 PTP Event Status Register (PTP_ESTS), Page 4

This register provides Status for the Event Timestamp unit. Reading this register provides status for the next Event Timestamp contained in the Event Data Register. If this register is 0, no Event Timestamp is available in the Event Data Register. Reading this register will automatically move to the next Event in the queue.

Table 10-49. PTP Event Status Register (PTP_ESTS), address 0x1E

| Bit | Bit Name | Default | Description |
|-------|--------------|------------|---|
| 15:11 | RESERVED | 0000 0, RO | Reserved: Writes ignored, Read as 0 |
| 10:8 | EVNTS_MISSED | 000, RO/SC | Event Missed: Indicates number of events have been missed prior to this timestamp for the EVNT_NUM indicated. This count value will stick at 7 if more than 7 events are missed. |
| 7:6 | EVNT_TS_LEN | 00, RO/SC | Event Timestamp Length: Indicates length of the Timestamp field in 16-bit words minus 1. Although all fields are available, this indicates how many of the fields contain data different from the previous Event Timestamp. This allows software to avoid reading more significant fields if they have not changed since the previous timestamp. This field is valid for both single and multiple events. The following shows the number of least significant fields which have new data for each setting of TS_LENGTH: 00 : One 16-bit field is new (Timestamp_ns[15:0]) 01 : Two 16-bit fields are new 10 : Three 16-bit fields are new 11 : All four 16-bit fields are new |
| 5 | EVNT_RF | 0, RO/SC | Event Rise/Fall direction: Indicates whether the event is a rise or falling event. If the MULT_EVNT bit is set to 1, this bit indicates the Rise/Fall direction for the event indicated by EVNT_NUM. 0 = Falling edge detected 1 = Rising edge detected |
| 4:2 | EVNT_NUM | 000, RO/SC | Event Number: Indicates Event Timestamp Unit which detected an event. If the MULT_EVNT bit is set to 0, this indicates the lowest event number captured. If events have been missed prior to this timestamp, it indicates the lowest event number captured which had at least one missed event. |
| 1 | MULT_EVNT | 0, RO/SC | Multiple Event Detect: Indicates multiple events were detected at the same time. If multiple events are detected, an extended event status field is available as the first data read from the Event Data Register. 0 = Single event detected 1 = Multiple events detected |
| 0 | EVENT_DET | 0, RO/SC | PTP Event Detected: Indicates an Event has been detected by one of the Event Timestamp Units. |

10.5.12 PTP Event Data Register (PTP_EDATA), Page 4

This register provides a mechanism for reading the Event Timestamp and extended event status. If present, the extended event status is read prior to reading the Event Timestamp. Presence of the Extended Event Status field is indicated by the MULT_EVNT bit in the PTP Event Status Register. The timestamp consists of four 16-bit fields. This register contains a valid timestamp if the PTP_ESTS register indicates an Event Timestamp is available. Not all fields have to be read for each timestamp. For example, if the EVNT_TS_LEN indicates the seconds field has not changed from the previous event, software may skip that read. Reading the PTP_ESTS register will cause the device to move to the next available timestamp.

The fields are read in the following order:

- Extended Event Status[15:0] (only available if PTP_ESTS indicates detection of multiple events)
- Timestamp_ns [15:0]
- Timestamp_ns[29:16] (upper 2 bits are always 0)
- Timestamp_sec[15:0]
- Timestamp_sec[31:16]

For Extended Event Status, the following definition is used for the PTP Event Data Register:

Table 10-50. PTP Event Data Register (PTP_EDATA), address 0x1F

| Bit | Bit Name | Default | Description |
|-----|----------|----------|--|
| 15 | E7_RISE | 0, RO/SC | Rise/Fall edge direction for Event 7: Indicates direction of Event 7 0 = Fall 1 = Rise |
| 14 | E7_DET | 0, RO/SC | Event 7 detected: Indicates Event 7 detected a rising or falling edge at the time contained in the PTP_EDATA register timestamp. |
| 13 | E6_RISE | 0, RO/SC | Rise/Fall edge direction for Event 6: Indicates direction of Event 6 0 = Fall 1 = Rise |
| 12 | E6_DET | 0, RO/SC | Event 6 detected: Indicates Event 6 detected a rising or falling edge at the time contained in the PTP_EDATA register timestamp. |
| 11 | E5_RISE | 0, RO/SC | Rise/Fall edge direction for Event 5: Indicates direction of Event 5 0 = Fall 1 = Rise |
| 10 | E5_DET | 0, RO/SC | Event 5 detected: Indicates Event 5 detected a rising or falling edge at the time contained in the PTP_EDATA register timestamp. |
| 9 | E4_RISE | 0, RO/SC | Rise/Fall edge direction for Event 4: Indicates direction of Event 4 0 = Fall 1 = Rise |
| 8 | E4_DET | 0, RO/SC | Event 4 detected: Indicates Event 4 detected a rising or falling edge at the time contained in the PTP_EDATA register timestamp. |
| 7 | E3_RISE | 0, RO/SC | Rise/Fall edge direction for Event 3: Indicates direction of Event 3 0 = Fall 1 = Rise |
| 6 | E3_DET | 0, RO/SC | Event 3 detected: Indicates Event 3 detected a rising or falling edge at the time contained in the PTP_EDATA register timestamp. |
| 5 | E2_RISE | 0, RO/SC | Rise/Fall edge direction for Event 2: Indicates direction of Event 2 0 = Fall 1 = Rise |
| 4 | E2_DET | 0, RO/SC | Event 2 detected: Indicates Event 2 detected a rising or falling edge at the time contained in the PTP_EDATA register timestamp. |
| 3 | E1_RISE | 0, RO/SC | Rise/Fall edge direction for Event 1: Indicates direction of Event 1 0 = Fall 1 = Rise |
| 2 | E1_DET | 0, RO/SC | Event 1 detected: Indicates Event 1 detected a rising or falling edge at the time contained in the PTP_EDATA register timestamp. |
| 1 | E0_RISE | 0, RO/SC | Rise/Fall edge direction for Event 0: Indicates direction of Event 0 0 = Fall 1 = Rise |
| 0 | E0_DET | 0, RO/SC | Event 0 detected: Indicates Event 0 detected a rising or falling edge at the time contained in the PTP_EDATA register timestamp. |

For timestamp fields, the following definition is used for the PTP Event Data Register:

Table 10-51. PTP Event Data Register (PTP_EDATA), address 0x1F

| Bit | Bit Name | Default | Description |
|------|-------------|----------------------------|--|
| 15:0 | PTP_EVNT_TS | XXXX XXXX XXXX XXXX, RO | PTP Event Timestamp: Reading this register will return 16 bits of the Event Timestamp. |

10.6 PTP 1588 CONFIGURATION REGISTERS - PAGE 5

Page 5 PTP 1588 Configuration Registers are accessible by setting bits [2:0] = 101 of PAGESEL (13h).

10.6.1 PTP Trigger Configuration Register (PTP_TRIG), Page 5

This register provides basic configuration for IEEE 1588 Triggers. To write configuration to a Trigger, set the TRIG_WR bit along with the TRIG_SEL and other control information. To read configuration from a Trigger, set the TRIG_SEL encoding to the Trigger desired, and set the TRIG_WR bit to 0. The subsequent read of the PTP_TRIG register will return the configuration information.

Table 10-52. PTP Trigger Configuration Register (PTP_TRIG), address 0x14

| Bit | Bit Name | Default | Description |
|------|--------------|----------|---|
| 15 | TRIG_PULSE | 0, RW | Trigger Pulse: Setting this bit will cause the Trigger to generate a Pulse rather than a single rising or falling edge. |
| 14 | TRIG_PER | 0, RW | Trigger Periodic: Setting this bit will cause the Trigger to generate a periodic signal. If this bit is 0, the Trigger will generate a single Pulse or Edge depending on the Trigger Control settings. |
| 13 | TRIG_IF_LATE | 0, RW | Trigger-if-late Control: Setting this bit will allow an immediate Trigger in the event the Trigger is programmed to a time value which is less than the current time. This provides a mechanism for generating an immediate trigger or to immediately begin generating a periodic signal. For a periodic signal, no notification be generated if this bit is set and a Late Trigger occurs. |
| 12 | TRIG_NOTIFY | 0, RW | Trigger Notification Enable: Setting this bit will enable Trigger status to be reported on completion of a Trigger or on an error detection due to late trigger. If Trigger interrupts are enabled, the notification will also result in an interrupt being generated. |
| 11:8 | TRIG_GPIO | 0000, RW | Trigger GPIO Connection: Setting this field to a non-zero value will connect the Trigger to the associated GPIO pin. Valid settings for this field are 1 thru 12. |
| 7 | TRIG_TOGGLE | 0, RW | Trigger Toggle Mode Enable: Setting this bit will put the trigger into toggle mode. In toggle mode, the initial value will be ignored and the trigger output will be toggled at the trigger time. |
| 6:4 | RESERVED | 000, RO | Reserved: Writes ignored, Read as 0 |
| 3:1 | TRIG_CSEL | 000, RW | Trigger Configuration Select: This field selects the Trigger for configuration read or write. |
| 0 | TRIG_WR | 0, RW/SC | Trigger Configuration Write: Setting this bit will generate a Configuration Write to the selected Trigger. This bit will always read back as 0. |

10.6.2 PTP Event Configuration Register (PTP_EVNT), Page 5

This register provides basic configuration for IEEE 1588 Events. To write configuration to an Event Timestamp Unit, set the EVNT_WR bit along with the EVNT_SEL and other control information. To read configuration from an Event Timestamp Unit, set the EVNT_SEL encoding to the Event desired, and set the EVNT_WR bit to 0. The subsequent read of the PTP_EVNT register will return the configuration information.

Table 10-53. PTP Event Configuration Register (PTP_EVNT), address 0x15

| Bit | Bit Name | Default | Description |
|------|-------------|----------|--|
| 15 | RESERVED | 0, RO | Reserved: Writes ignored, Read as 0 |
| 14 | EVNT_RISE | 0, RW | Event Rise Detect Enable: Enable Detection of Rising edge on Event input. |
| 13 | EVNT_FALL | 0, RW | Event Fall Detect Enable: Enable Detection of Falling edge on Event input. |
| 12 | EVNT_SINGLE | 0, RW | Single Event Capture: Setting this bit to a 1 will enable single event capture operation. The EVNT_RISE and EVNT_FALL enables will be cleared upon a valid event timestamp capture. |
| 11:8 | EVNT_GPIO | 0000, RW | Event GPIO Connection: Setting this field to a non-zero value will connect the Event to the associated GPIO pin. Valid settings for this field are 1 thru 12. |
| 7:4 | RESERVED | 0000, RO | Reserved: Writes ignored, Read as 0 |
| 3:1 | EVNT_SEL | 000, RW | Event Select: This field selects the Event Timestamp Unit for configuration read or write. |
| 0 | EVNT_WR | 0, RW | Event Configuration Write: Setting this bit will generate a Configuration Write to the selected Event Timestamp Unit. |

10.6.3 PTP Transmit Configuration Register 0 (PTP_TXCFG0), Page 5

This register provides configuration for IEEE 1588 Transmit Timestamp operation.

Table 10-54. PTP Transmit Configuration Register 0 (PTP_TXCFG0), address 0x16

| Bit | Bit Name | Default | Description |
|-----|--------------|---------|---|
| 15 | SYNC_1STEP | 0, RW | Sync Message One-Step Enable: Enable automatic insertion of timestamp into transmit Sync Messages. Device will automatically parse message and insert the timestamp in the correct location. UPD checksum and CRC fields will be regenerated. |
| 14 | RESERVED | 0, RO | Reserved: Writes ignored, Read as 0 |
| 13 | DR_INSERT | 0, RW | Insert Delay_Req Timestamp in Delay_Resp: If this bit is set to a 1, the device insert the timestamp for transmitted Delay_Req messages into inbound Delay_Resp messages. The most recent timestamp will be used for any inbound Delay_Resp message. The receive timestamp insertion logic must be enabled through the PTP Receive Configuration Registers. |
| 12 | NTP_TS_EN | 0, RW | Enable Timestamping of NTP Packets: If this bit is set to 0, the device will check the UDP protocol field for a PTP Event message (value 319). If this bit is set to 1, the device will check the UDP protocol field for an NTP message (value 123). This setting applies to the transmit and receive packet parsing engines. |
| 11 | IGNORE_2STEP | 0, RW | Ignore Two_Step flag for One-Step operation: If this bit is set to a 0, the device will not insert a timestamp if the Two_Step bit is set in the flags field of the PTP header. If this bit is set to 1, the device will insert a timestamp independent of the setting of the Two_Step flag. |
| 10 | CRC_1STEP | 0, RW | Disable checking of CRC for One-Step operation: If this bit is set to a 0, the device will force a CRC error for One-Step operation if the incoming frame has a CRC error. If this bit is set to a 1, the device will send the One- Step frame with a valid CRC, even if the incoming CRC is invalid. |

Table 10-54. PTP Transmit Configuration Register 0 (PTP_TXCFG0), address 0x16 (continued)

| Bit | Bit Name | Default | Description |
|-----|------------|-----------|---|
| 9 | CHK_1STEP | 0, RW | Enable UDP Checksum correction for One-Step Operation: Enables correction of the UDP checksum for messages which include insertion of the timestamp. The checksum is corrected by modifying the last two bytes of the UDP data. The last two bytes must be transmitted by the MAC as 0's. This control must be set for proper IPv6/UDP One-Step operation. This control will have no effect for Layer2 Ethernet messages. |
| 8 | IP1588_EN | 0, RW | Enable IEEE 1588 defined IP address filter: Enable filtering of UDP/IP Event messages using the IANA assigned IP Destination addresses. If this bit is set to 1, packets with IP Destination addresses which do not match the IANA assigned addresses will not be timestamped. This field affects operation for both IPv4 and IPv6. If this field is set to 0, IP destination addresses will be ignored. |
| 7 | TX_L2_EN | 0, RW | Layer2 Timestamp Enable: Enables detection of IEEE 802.3/Ethernet encapsulated PTP event messages. |
| 6 | TX_IPV6_EN | 0, RW | IPv6 Timestamp Enable: Enables detection of UDP/IPv6 encapsulated PTP event messages. |
| 5 | TX_IPV4_EN | 0, RW | IPv4 Timestamp Enable: Enables detection of UDP/IPv4 encapsulated PTP event messages. |
| 4:1 | TX_PTP_VER | 0 000, RW | PTP Version: Enable Timestamp capture for a specific version of the IEEE 1588 specification. This field may be programmed to any value between 1 and 15 and allows support for future versions of the IEEE 1588 specification. A value of 0 will disable version checking (not recommended). |
| 0 | TX_TS_EN | 0, RW | Transmit Timestamp Enable: Enable Timestamp capture for Transmit. |

10.6.4 PTP Transmit Configuration Register 1 (PTP_TXCFG1), Page 5

This register provides data and mask fields to filter the first byte in a PTP Message. This function will be disabled if all the mask bits are set to 0.

Table 10-55. PTP Transmit Configuration Register 1 (PTP_TXCFG1), address 0x17

| Bit | Bit Name | Default | Description |
|------|------------|---------------|--|
| 15:8 | BYTE0_MASK | 0000 0000, RW | Byte0 Data: Bit mask to be used for matching Byte0 of the PTP Message. A one in any bit enables matching for the associated data bit. If no matching is required, all bits of the mask should be set to 0. |
| 7:0 | BYTE0_DATA | 0000 0000, RW | Byte0 Mask: Data to be used for matching Byte0 of the PTP Message. |

10.6.5 PHY Status Frame Configuration Register 0 (PSF_CFG0), Page 5

This register provides configuration for the PHY Status Frame function.

Table 10-56. PHY Status Frame Configuration Register 0 (PSF_CFG0), address 0x18

| Bit | Bit Name | Default | Description |
|-----------|-------------|---------|--|
| 15:1 3 | RESERVED | 000, RO | Reserved: Writes ignored, Read as 0 |
| 12:1 1 | MAC_SRC_ADD | 0 0, RW | PHY Status Frame Mac Source Address: Selects source address as follows: 00 : Use Mac Address [08 00 17 0B 6B 0F] 01 : Use Mac Address [08 00 17 00 00 00] 10 : Use Mac Multicast Dest Address 11 : Use Mac Address [00 00 00 00 00 00] |
| 10:8 | MIN_PRE | 000, RW | PHY Status Frame Minimum Preamble: Determines the minimum preamble bytes required for sending packets on the MII interface. It is recommended that this be set to the smallest value the MAC will tolerate. |
| 7 | PSF_ENDIAN | 0, RW | PHY Status Frame Endian Control: For each 16-bit field in a Status Message, the data will normally be presented in network byte order (Most significant byte first). If this bit is set to a 1, the byte data fields will be reversed so that the least significant byte is first. |
| 6 | PSF_IPV4 | 0, RW | PHY Status Frame IPv4 Enable: This bit controls the type of packet used for PHY Status Frames. 0 = Layer2 Ethernet packets 1 = IPv4 packets. |
| 5 | PSF_PCF_RD | 0, RW | PHY Control Frame Read PHY Status Frame Enable: Enable PHY Status Frame delivery of PHY Control Frame read data. Data read via a PHY Control Frame will be returned in a PHY Status Frame. |
| 4 | PSF_ERR_EN | 0, RW | PSF Error PHY Status Frame Enable: Enable PHY Status Frame delivery of PHY Status Frame Errors. This bit will not independently enable PHY Status Frame operation. One of the other enable bits must be set for PHY Status Frames to be generated. |
| 3 | PSF_TXTS_EN | 0, RW | Transmit Timestamp PHY Status Frame Enable: Enable PHY Status Frame delivery of Transmit Timestamps. |
| 2 | PSF_RXTS_EN | 0, RW | Receive Timestamp PHY Status Frame Enable: Enable PHY Status Frame delivery of Receive Timestamps. |
| 1 | PSF_TRIG_EN | 0, RW | Trigger PHY Status Frame Enable: Enable PHY Status Frame delivery of Trigger Status. |
| 0 | PSF_EVNT_EN | 0, RW | Event PHY Status Frame Enable: Enable PHY Status Frame delivery of Event Timestamps. |

10.6.6 PTP Receive Configuration Register 0 (PTP_RXCFG0), Page 5,

This register provides configuration for IEEE 1588 Receive Timestamp operation.

Table 10-57. PTP Receive Configuration Register 0 (PTP_RXCFG0), address 0x19

| Bit | Bit Name | Default | Description |
|------|--------------|-----------|---|
| 15 | DOMAIN_EN | 0, RW | Domain Match Enable: If set to 1, the Receive Timestamp unit will require the Domain field to match the value programmed in the PTP_DOMAIN field of the PTP_RXCFG3 register. If set to 0, the Receive Timestamp will ignore the PTP_DOMAIN field. |
| 14 | ALT_MAST_DIS | 0, RW | Alternate Master Timestamp Disable: Disables timestamp generation if the Alternate_Master flag is set: 1 = Do not generate timestamp if Alternate_Master = 1 0 = Ignore Alternate_Master flag |
| 13 | USER_IP_SEL | 0, RW | IP Address data select: Selects portion of IP address accessible through the PTP_RXCFG2 register: 0 = Most Significant Octets 1 = Least Significant Octets |
| 12 | USER_IP_EN | 0, RW | Enable User-programmed IP address filter: Enable detection of UDP/IP Event messages using a programmable IP addresses. The IP Address is set using the PTP_RXCFG2 register. |
| 11 | RX_SLAVE | 0, RW | Receive Slave Only: By default, the Receive Timestamp Unit will provide Timestamps for event messages meeting other requirements. Setting this bit to a 1 will prevent Delay_Req messages from being Timestamped by requiring that the Control Field (offset 32 in the PTP message) be set to a value other than 1. |
| 10:8 | IP1588_EN | 000, RW | Enable IEEE 1588 defined IP address filters: Enable detection of UDP/IP Event messages using the IANA assigned IP Destination addresses. This field affects operation for both IPv4 and IPv6. A Timestamp is captured for the PTP message if the IP destination address matches the following: IP1588_EN[0]: Dest IP address = 224.0.1.129 IP1588_EN[1]: Dest IP address = 224.0.1.130-132 IP1588_EN[2]: Dest IP address = 224.0.0.107 |
| 7 | RX_L2_EN | 0, RW | Layer2 Timestamp Enable: Enables detection of IEEE 802.3/Ethernet encapsulated PTP event messages. |
| 6 | RX_IPV6_EN | 0, RW | IPv6 Timestamp Enable: Enables detection of UDP/IPv6 encapsulated PTP event messages. |
| 5 | RX_IPV4_EN | 0, RW | IPv4 Timestamp Enable: Enables detection of UDP/IPv4 encapsulated PTP event messages. |
| 4:1 | RX_PTP_VER | 0 000, RW | PTP Version: Enable Timestamp capture for a specific version of the IEEE 1588 specification. This field may be programmed to any value between 1 and 15 and allows support for future versions of the IEEE 1588 specification. A value of 0 will disable version checking (not recommended). |
| 0 | RX_TS_EN | 0, RW | Receive Timestamp Enable: Enable Timestamp capture for Receive. |

10.6.7 PTP Receive Configuration Register 1 (PTP_RXCFG1), Page 5

This register provides data and mask fields to filter the first byte in a PTP Message. This function will be disabled if all the mask bits are set to 0.

Table 10-58. PTP Receive Configuration Register 1 (PTP_RXCFG1), address 0x1A

| Bit | Bit Name | Default | Description |
|------|------------|---------------|--|
| 15:8 | BYTE0_MASK | 0000 0000, RW | Byte0 Data: Bit mask to be used for matching Byte0 of the Receive PTP Message. A one in any bit enables matching for the associated data bit. If no matching is required, all bits of the mask should be set to 0. |
| 7:0 | BYTE0_DATA | 0000 0000, RW | Byte0 Mask: Data to be used for matching Byte0 of the Receive PTP Message. |

10.6.8 PTP Receive Configuration Register 2 (PTP_RXCFG2), Page 5

This register provides for programming an IP address to be used for filtering packets to detect PTP Event Messages. Since the IPv4 address is 32-bits, to write an IP address, software must write two 16-bit values. The USER_IP_SEL bit in the PTP_RXCFG0 register selects which octets of the IP address are accessible through this register. For example, to write an IP address of 224.0.1.129, software should do the following:

1. Set USER_IP_SEL bit in PTP_RXCFG0 register to 0
2. Write 0xE000 (224.00) to PTP_RXCFG2
3. Set USER_IP_SEL bit in the PTP_RXCFG0 register to 1
4. Write 0x0181 (01.129) to PTP_RXCFG2

Reading this register will return the IP address field selected by USER_IP_SEL.

Table 10-59. PTP Receive Configuration Register 2 (PTP_RXCFG2), address 0x1B

| Bit | Bit Name | Default | Description |
|------|--------------|----------------------------|--|
| 15:0 | IP_ADDR_DATA | 0000 0000 0000 0000, RW | Receive IP Address Data: 16-bits of the IP Address field to be read or written. The USER_IP_SEL bit in the PTP_RXCFG0 Register selects the portion of the IP address is to be read or written. |

10.6.9 PTP Receive Configuration Register 3 (PTP_RXCFG3), Page 5

This register provides extended configuration for IEEE 1588 Receive Timestamp operation.

Table 10-60. PTP Receive Configuration Register 3 (PTP_RXCFG3), address 0x1C

| Bit | Bit Name | Default | Description |
|-----------|------------|---------------|--|
| 15:1 2 | TS_MIN_IFG | 1100, RW | Minimum Inter-frame Gap: When a Timestamp is appended to a PTP Message, the length of the packet may get extended. This could reduce the Inter-frame Gap (IFG) between packets by as much as 8 byte times (640 ns at 100 Mb). This field sets a minimum on the IFG between packets in number of byte times. If the IFG is set larger than the actual IFG, preamble bytes of the subsequent packet will get dropped. This value should be set to the lowest possible value that the attached MAC can support. |
| 11 | ACC_UDP | 0, RW | Record Timestamp if UDP Checksum Error: By default, Timestamps will be discarded for packets with UDP Checksum errors. If this bit is set, then the Timestamp will be made available in the normal manner. |
| 10 | ACC_CRC | 0, RW | Record Timestamp if CRC Error: By default, Timestamps will be discarded for packets with CRC errors. If this bit is set, then the Timestamp will be made available in the normal manner. |
| 9 | TS_APPEND | 0, RW | Append Timestamp for L2: For Layer 2 encapsulated PTP messages, if this bit is set, always append the Timestamp to end of the PTP message rather than inserted in unused message fields. This bit will be ignored if TS_INSERT is 0. |
| 8 | TS_INSERT | 0, RW | Enable Timestamp Insertion: Enables Timestamp insertion into a packet containing a PTP Event Message. If this bit is set, the Timestamp will not be available through the PTP Receive Timestamp Register. |
| 7:0 | PTP_DOMAIN | 0000 0000, RW | PTP Domain: Value of the PTP Message domainNumber field. If PTP_RXCFG0:DOMAIN_EN is set to 1, the Receive Timestamp unit will only capture a Timestamp if the domainNumber in the receive PTP message matches the value in this field. If the DOMAIN_EN bit is set to 0, the domainNumber field will be ignored. |

10.6.10 PTP Receive Configuration Register 4 (PTP_RXCFG4), Page 5

This register provides extended configuration for IEEE 1588 Receive Timestamp operation.

Table 10-61. PTP Receive Configuration Register 4 (PTP_RXCFG4), address 0x1D

| Bit | Bit Name | Default | Description |
|-----------|--------------|---------|--|
| 15 | IPV4_UDP_MOD | 0, RW | Enable IPV4 UDP Modification: When timestamp insertion is enabled, this bit controls how UDP checksums are handled for IPV4 PTP event messages. If set to a 0, the device will clear the UDP checksum. If a UDP checksum error is detected the device will force a CRC error. If set to a 1, the device will not clear the UDP checksum. Instead it will generate a 2-byte value to correct the UDP checksum and append this immediately following the PTP message. If an incoming UDP checksum error is detected, the device will cause a UDP checksum error in the modified field. This function should only be used if the incoming packets contain two extra bytes of UDP data following the PTP message. This should not be enabled for systems using version 1 of the IEEE 1588 specification. |
| 14 | TS_SEC_EN | 0, RW | Enable Timestamp Seconds: Setting this bit to a 1 enables inserting a seconds field when Timestamp Insertion is enabled. If set to 0, only the nanoseconds portion of the Timestamp will be inserted in the packet. This bit will be ignored if TS_INSERT is 0. |
| 13:1 2 | TS_SEC_LEN | 00, RW | Inserted Timestamp Seconds Length: This field indicates the length of the Seconds field to be inserted in the PTP message. This field will be ignored if TS_INSERT is 0 or if TS_SEC_EN is 0. The mapping is as follows: 00 : Least Significant Byte only of Seconds field 01 : Two Least Significant Bytes of Seconds field 10 : Three Least Significant Bytes of Seconds field 11 : All four Bytes of Seconds field |

Table 10-61. PTP Receive Configuration Register 4 (PTP_RXCFG4), address 0x1D (continued)

| Bit | Bit Name | Default | Description |
|------|--------------|-------------|---|
| 11:6 | RXTS_NS_OFF | 0000 00, RW | Receive Timestamp Nanoseconds offset: This field provides an offset to the Nanoseconds field when inserting a Timestamp into a received PTP message. If TS_APPEND is set to 1, the offset indicates an offset from the end of the PTP message. If TS_APPEND is set to 0, the offset indicates the byte offset from the beginning of the PTP message. This field will be ignored if TS_INSERT is 0. |
| 5:0 | RXTS_SEC_OFF | 00 0000, RW | Receive Timestamp Seconds offset: This field provides an offset to the Seconds field when inserting a Timestamp into a received PTP message. If TS_APPEND is set to 1, the offset indicates an offset from the end of the inserted Nanoseconds field. If TS_APPEND is set to 0, the offset indicates the byte offset from the beginning of the PTP message. This field will be ignored if TS_INSERT is 0. |

10.6.11 PTP Temporary Rate Duration Low Register (PTP_TRDL), Page 5

This register contains the low 16 bits of the duration in clock cycles to use the Temporary Rate as programmed in the PTP_RATEH and PTP_RATEL registers. Since the Temporary Rate takes affect upon writing the PTP_RATEL register, this register should be programmed before setting the Temporary Rate. This register does not need to be reprogrammed for each use of the Temporary Rate registers.

Table 10-62. PTP Temporary Rate Duration Low Register (PTP_TRDL), address 0x1E

| Bit | Bit Name | Default | Description |
|------|-------------|----------------------------|--|
| 15:0 | PTP_TR_DURL | 0000 0000 0000 0000, RW | PTP Temporary Rate Duration Low 16 bits: This register sets the duration for the Temporary Rate in number of clock cycles. The actual Time duration is dependent on the value of the Temporary Rate. |

10.6.12 PTP Temporary Rate Duration High Register (PTP_TRDH), Page 5

This register contains the high 10 bits of the duration in clock cycles to use the Temporary Rate as programmed in the PTP_RATEH and PTP_RATEL registers. Since the Temporary Rate takes affect upon writing the PTP_RATEL register, this register should be programmed before setting the Temporary Rate. This register does not need to be reprogrammed for each use of the Temporary Rate registers.

Table 10-63. PTP Temporary Rate Duration High Register (PTP_TRDH), address 0x1F

| Bit | Bit Name | Default | Description |
|-------|-------------|------------------|---|
| 15:10 | RESERVED | 0000 00, RO | Reserved: Writes ignored, Read as 0 |
| 9:0 | PTP_TR_DURH | 00 0000 0000, RW | PTP Temporary Rate Duration High 10 bits: This register sets the duration for the Temporary Rate in number of clock cycles. The actual Time duration is dependent on the value of the Temporary Rate. |

10.7 PTP 1588 CONFIGURATION REGISTERS - PAGE 6

Page 6 PTP 1588 Configuration Registers are accessible by setting bits [2:0] = 110 of PAGESEL (13h).

10.7.1 PTP Clock Output Control Register (PTP_COC), Page 6

This register provides configuration for the PTP clock-synchronized output divide-by-N clock.

Table 10-64. PTP Clock Output Control Register (PTP_COC), address 0x14

| Bit | Bit Name | Default | Description |
|------|---------------------|---------------|--|
| 15 | PTP_CLKOUT EN | 1, RW | PTP Clock Output Enable: 1 = Enable PTP divide-by-N clock output. 0 = Disable PTP divide-by-N clock output. |
| 14 | PTP_CLKOUT SEL | 0, RW | PTP Clock Output Source Select: 1 = Select the Phase Generation Module (PGM) as the root clock for generating the divide-by-N output. 0 = Select the Frequency-Controlled Oscillator (FCO) as the root clock for generating the divide-by-N output. For additional information related to the PTP clock output selection, refer to TI Lit Number SNLA099 . |
| 13 | PTP_CLKOUT SPEEDSEL | 0, RW | PTP Clock Output I/O Speed Select: 1 = Enable faster rise/fall time for the divide-by-N clock output pin. 0 = Enable normal rise/fall time for the divide-by-N clock output pin. |
| 12:8 | RESERVED | 0 0000, RO | Reserved: Writes ignored, Read as 0 |
| 7:0 | PTP_CLKDIV | 0000 1010, RW | PTP Clock Divide-by Value: This field sets the divide-by value for the output clock. The output clock is divided from an internal 250 MHz clock. Valid values range from 2 to 255 (0x02 to 0xFF), giving a nominal output frequency range of 125 MHz down to 980.4 kHz. Divide-by values of 0 and 1 are not valid and will stop the output clock. |

10.7.2 PHY Status Frame Configuration Register 1 (PSF_CFG1), Page 6

This register provides configuration for the PHY Status Frame function. Specifically, the 16-bit value in this register is used as the first 16-bits of the PTP Header data for the PHY Status Frame.

Table 10-65. PHY Status Frame Configuration Register 1 (PSF_CFG1), address 0x15

| Bit | Bit Name | Default | Description |
|-------|--------------------|----------|--|
| 15:12 | PTPRESERVED | 0000, RW | PTP v2 reserved field: This field contains the reserved 4-bit field (at offset 1) to be sent in status packets from the PHY to the local MAC using the MII receive data interface. |
| 11:8 | VERSIONPTP | 0000, RW | PTP v2 versionPTP field: This field contains the versionPTP field to be sent in status packets from the PHY to the local MAC using the MII receive data interface. |
| 7:4 | TRANSPORT-SPECIFIC | 0000, RW | PTP v2 Header transportSpecific field: This field contains the MESSAGETYPE field to be sent in status packets from the PHY to the local MAC using the MII receive data interface. |
| 3:0 | MESSAGETYPE | 0000, RW | PTP v2 messageType field: This field contains the MESSAGETYPE field to be sent in status packets from the PHY to the local MAC using the MII receive data interface. |

10.7.3 PHY Status Frame Configuration Register 2 (PSF_CFG2), Page 6

This register provides configuration for the PHY Status Frame function. Specifically, the 16-bit value in this register is used as the first 16-bits of the IP Source address for an IPv4 PHY Status Frame.

Table 10-66. PHY Status Frame Configuration Register 2 (PSF_CFG2), address 0x16

| Bit | Bit Name | Default | Description |
|------|-------------|---------------|--|
| 15:8 | IP_SA_BYTE1 | 0000 0000, RW | Second byte of IP source address: This field contains the second byte of the IP source address. |
| 7:0 | IP_SA_BYTE0 | 0000 0000, RW | First byte of IP source address: This field contains the most significant byte of the IP source address. |

10.7.4 PHY Status Frame Configuration Register 3 (PSF_CFG3), Page 6

This register provides configuration for the PHY Status Frame function. Specifically, the 16-bit value in this register is used as the second 16-bits of the IP Source address for an IPv4 PHY Status Frame.

Table 10-67. PHY Status Frame Configuration Register 3 (PSF_CFG3), address 0x17

| Bit | Bit Name | Default | Description |
|------|-------------|---------------|---|
| 15:8 | IP_SA_BYTE3 | 0000 0000, RW | Fourth byte of IP source address: This field contains the fourth byte of the IP source address. |
| 7:0 | IP_SA_BYTE2 | 0000 0000, RW | Third byte of IP source address: This field contains the third byte of the IP source address. |

10.7.5 PHY Status Frame Configuration Register 4 (PSF_CFG4), Page 6

This register provides configuration for the PHY Status Frame function. Specifically, the 16-bit value in this register is used to assist in computation of the IP checksum for an IPv4 PHY Status Frame.

Table 10-68. PHY Status Frame Configuration Register 4 (PTP_PKTSTS4), address 0x18

| Bit | Bit Name | Default | Description |
|------|-----------|-------------------------|--|
| 15:0 | IP_CHKSUM | 0000 0000 0000 0000, RW | IP Checksum: This field contains a precomputed value ones-complement addition of all fixed values in the IP Header. The device will add the Total Length and Identification values to generate the final checksum. |

10.7.6 PTP SFD Configuration Register (PTP_SFDCFG), Page 6

This register provides configuration to enable outputting the RX and TX Start-of-Frame (SFD) signals on GPIO pins. Note that GPIO assignments are not exclusive.

Table 10-69. PTP SFD Configuration Register (PTP_SFDCFG), address 0x19

| Bit | Bit Name | Default | Description |
|------|-------------|---------------|--|
| 15:8 | RESERVED | 0000 0000, RO | Reserved: Writes ignored, Read as 0 |
| 7:4 | TX_SFD_GPIO | 0000, RW | TX SFD GPIO Select: This field controls the GPIO output to which the TX SFD signal is assigned. Valid values are 0 (disabled) or 1-12. |
| 3:0 | RX_SFD_GPIO | 0000, RW | RX SFD GPIO Select: This field controls the GPIO output to which the RX SFD signal is assigned. Valid values are 0 (disabled) or 1-12. |

10.7.7 PTP Interrupt Control Register (PTP_INTCTL), Page 6

This register provides configuration for the IEEE 1588 interrupt function, allowing the PTP Interrupt to use any of the GPIO pins.

Table 10-70. PTP Interrupt Control Register (PTP_INTCTL), address 0x1A

| Bit | Bit Name | Default | Description |
|------|--------------|--------------------|--|
| 15:4 | RESERVED | 0000 0000 0000, RO | Reserved: Writes ignored, Read as 0 |
| 3:0 | PTP_INT_GPIO | 0000, RW | PTP Interrupt GPIO Select: To enable interrupts on a GPIO pin, this field should be set to the GPIO number. Setting this field to 0 will disable interrupts via the GPIO pins. |

10.7.8 PTP Clock Source Register (PTP_CLKSRC), Page 6

This register provides configuration for the reference clock source driving the IEEE 1588 logic. The source clock period is also used by the 1588 clock nanoseconds adder to add the proper value every reference clock cycle.

Table 10-71. PTP Clock Source Register (PTP_CLKSRC), address 0x1B

| Bit | Bit Name | Default | Description |
|-----------|-------------|---------------|---|
| 15:1 4 | CLK_SRC | 00, RW | PTP Clock Source Select: Selects among three possible sources for the PTP reference clock: 00 : 125 MHz from internal PGM (default) 01 : Divide-by-N from 125 MHz internal PGM 1x : External reference clock |
| 13:7 | RESERVED | 00 0000 0, RO | Reserved: Writes ignored, Read as 0 |
| 6:0 | CLK_SRC_PER | 000 0000, RW | PTP Clock Source Period: This field configures the PTP clock source period in nanoseconds. Values less than 8 are invalid and cannot be written; attempting to write a value less than 8 will cause CLK_SRC_PER to be 8. When the clock source selection is the Divide-by-N from the internal PGM, bits 6:3 are used as the N value; bits 2:0 are ignored in this mode. |

10.7.9 PTP Ethernet Type Register (PTP_ETR), Page 6

This register provides the Ethernet Type (Ethertype) field for PTP transport over Ethernet (Layer2).

Table 10-72. PTP Ethernet Type Register (PTP_ETR), address 0x1C

| Bit | Bit Name | Default | Description |
|------|-----------|----------------------------|---|
| 15:0 | PTP_ETYPE | 1111 0111 1000 1000, RW | PTP Ethernet Type: This field contains the Ethernet Type field used to detect PTP messages transported over Ethernet layer 2. |

10.7.10 PTP Offset Register (PTP_OFF), Page 6

This register provides the byte offset to the PTP message in a Layer2 Ethernet frame.

Table 10-73. PTP Offset Register (PTP_OFF), address 0x1D

| Bit | Bit Name | Default | Description |
|------|------------|---------------|---|
| 15:8 | RESERVED | 0000 0000, RO | Reserved: Writes ignored, Read as 0 |
| 7:0 | PTP_OFFSET | 0000 0000, RO | PTP Offset: This field contains the offset in bytes to the PTP Message from the preceding header. For Layer2, this is the offset from the Ethernet Type Field. For UDP/IP, it is the offset from the end of the UDP Header. |

10.7.11 PTP GPIO Monitor Register (PTP_GPIOMON), Page 6

This register provides read-only access to the current values on GPIO inputs.

Table 10-74. PTP GPIO Monitor Register (PTP_GPIOMON), address 0x1E

| Bit | Bit Name | Default | Description |
|-------|-------------|-----------------------|---|
| 15:12 | RESERVED | 0000, RO | Reserved: Writes ignored, Read as 0 |
| 11:0 | PTP_GPIO_IN | 0000 0000 0000, RO | PTP GPIO Inputs: This field reflects the current values seen on the GPIO inputs. GPIOs 12 through 1 are mapped to bits 11:0 in order. |

10.7.12 PTP Receive Hash Register (PTP_RXHASH), Page 6

This register provides configuration for the source identity hash filter of the PTP receive packet parser. If enabled, the receive parse logic will deliver a receive timestamp only if the hash function on the ten octet sourcePortIdentity field correctly matches the programmed value. The source identity hash filter does not affect timestamp insertion.

Table 10-75. PTP Receive Hash Register (PTP_RXHASH), address 0x1F

| Bit | Bit Name | Default | Description |
|-------|-------------|-----------------------|--|
| 15:13 | RESERVED | 000, RO | Reserved: Writes ignored, Read as 0 |
| 12 | RX_HASH_EN | 0, RW | Receive Hash Enable: Enables filtering of PTP messages based on the hash function on the ten octet sourcePortIdentity field. |
| 11:0 | PTP_RX_HASH | 0000 0000 0000, RW | Receive Hash: This field contains the expected source identity hash value for incoming PTP event messages. |

Revision History

NOTE: Page numbers for previous revisions may differ from page numbers in the current version.

Changes from Revision A (April 2013) to Revision B Page

- Changed layout of National Data Sheet to TI format [129](#)
-

PACKAGING INFORMATION

| Orderable Device | Status (1) | Package Type | Package Drawing | Pins | Package Qty | Eco Plan (2) | Lead finish/ Ball material (6) | MSL Peak Temp (3) | Op Temp (°C) | Device Marking (4/5) | Samples |
|------------------|---------------|--------------|-----------------|------|-------------|-----------------|--------------------------------------|----------------------|--------------|-------------------------|-------------------------|
| DP83630SQ/NOPB | ACTIVE | WQFN | RHS | 48 | 1000 | RoHS & Green | SN | Level-2-260C-1 YEAR | -40 to 85 | DP83630SQ | Samples |
| DP83630SQE/NOPB | ACTIVE | WQFN | RHS | 48 | 250 | RoHS & Green | SN | Level-2-260C-1 YEAR | -40 to 85 | DP83630SQ | Samples |
| DP83630SQX/NOPB | ACTIVE | WQFN | RHS | 48 | 2500 | RoHS & Green | SN | Level-2-260C-1 YEAR | -40 to 85 | DP83630SQ | Samples |

(1) The marketing status values are defined as follows:

ACTIVE: Product device recommended for new designs.

LIFEBUY: TI has announced that the device will be discontinued, and a lifetime-buy period is in effect.

NRND: Not recommended for new designs. Device is in production to support existing customers, but TI does not recommend using this part in a new design.

PREVIEW: Device has been announced but is not in production. Samples may or may not be available.

OBSOLETE: TI has discontinued the production of the device.

(2) **RoHS:** TI defines "RoHS" to mean semiconductor products that are compliant with the current EU RoHS requirements for all 10 RoHS substances, including the requirement that RoHS substance do not exceed 0.1% by weight in homogeneous materials. Where designed to be soldered at high temperatures, "RoHS" products are suitable for use in specified lead-free processes. TI may reference these types of products as "Pb-Free".

RoHS Exempt: TI defines "RoHS Exempt" to mean products that contain lead but are compliant with EU RoHS pursuant to a specific EU RoHS exemption.

Green: TI defines "Green" to mean the content of Chlorine (Cl) and Bromine (Br) based flame retardants meet JS709B low halogen requirements of <=1000ppm threshold. Antimony trioxide based flame retardants must also meet the <=1000ppm threshold requirement.

(3) MSL, Peak Temp. - The Moisture Sensitivity Level rating according to the JEDEC industry standard classifications, and peak solder temperature.

(4) There may be additional marking, which relates to the logo, the lot trace code information, or the environmental category on the device.

(5) Multiple Device Markings will be inside parentheses. Only one Device Marking contained in parentheses and separated by a "~" will appear on a device. If a line is indented then it is a continuation of the previous line and the two combined represent the entire Device Marking for that device.

(6) Lead finish/Ball material - Orderable Devices may have multiple material finish options. Finish options are separated by a vertical ruled line. Lead finish/Ball material values may wrap to two lines if the finish value exceeds the maximum column width.

Important Information and Disclaimer:The information provided on this page represents TI's knowledge and belief as of the date that it is provided. TI bases its knowledge and belief on information provided by third parties, and makes no representation or warranty as to the accuracy of such information. Efforts are underway to better integrate information from third parties. TI has taken and continues to take reasonable steps to provide representative and accurate information but may not have conducted destructive testing or chemical analysis on incoming materials and chemicals. TI and TI suppliers consider certain information to be proprietary, and thus CAS numbers and other limited information may not be available for release.

In no event shall TI's liability arising out of such information exceed the total purchase price of the TI part(s) at issue in this document sold by TI to Customer on an annual basis.

TAPE AND REEL INFORMATION

QUADRANT ASSIGNMENTS FOR PIN 1 ORIENTATION IN TAPE


*All dimensions are nominal

| Device | Package Type | Package Drawing | Pins | SPQ | Reel Diameter (mm) | Reel Width W1 (mm) | A0 (mm) | B0 (mm) | K0 (mm) | P1 (mm) | W (mm) | Pin1 Quadrant |
|-----------------|--------------|-----------------|------|------|--------------------|--------------------|---------|---------|---------|---------|--------|---------------|
| DP83630SQ/NOPB | WQFN | RHS | 48 | 1000 | 330.0 | 16.4 | 7.3 | 7.3 | 1.3 | 12.0 | 16.0 | Q1 |
| DP83630SQE/NOPB | WQFN | RHS | 48 | 250 | 178.0 | 16.4 | 7.3 | 7.3 | 1.3 | 12.0 | 16.0 | Q1 |
| DP83630SQX/NOPB | WQFN | RHS | 48 | 2500 | 330.0 | 16.4 | 7.3 | 7.3 | 1.3 | 12.0 | 16.0 | Q1 |

TAPE AND REEL BOX DIMENSIONS


*All dimensions are nominal

| Device | Package Type | Package Drawing | Pins | SPQ | Length (mm) | Width (mm) | Height (mm) |
|-----------------|--------------|-----------------|------|------|-------------|------------|-------------|
| DP83630SQ/NOPB | WQFN | RHS | 48 | 1000 | 356.0 | 356.0 | 35.0 |
| DP83630SQE/NOPB | WQFN | RHS | 48 | 250 | 208.0 | 191.0 | 35.0 |
| DP83630SQX/NOPB | WQFN | RHS | 48 | 2500 | 356.0 | 356.0 | 35.0 |

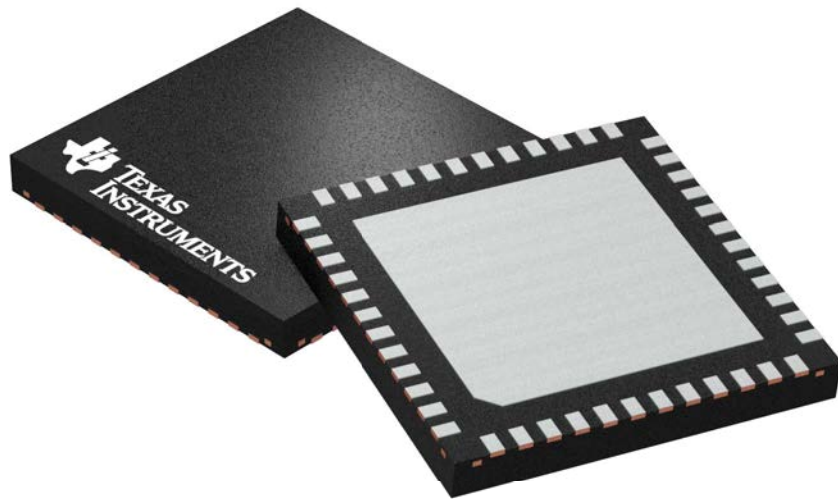
GENERIC PACKAGE VIEW

RHS 48

WQFN - 0.8 mm max height

7 x 7 mm, 0.5 mm pitch

PLASTIC QUAD FLATPACK - NO LEAD



Images above are just a representation of the package family, actual package may vary.
Refer to the product data sheet for package details.

4205855/C

IMPORTANT NOTICE AND DISCLAIMER

TI PROVIDES TECHNICAL AND RELIABILITY DATA (INCLUDING DATA SHEETS), DESIGN RESOURCES (INCLUDING REFERENCE DESIGNS), APPLICATION OR OTHER DESIGN ADVICE, WEB TOOLS, SAFETY INFORMATION, AND OTHER RESOURCES "AS IS" AND WITH ALL FAULTS, AND DISCLAIMS ALL WARRANTIES, EXPRESS AND IMPLIED, INCLUDING WITHOUT LIMITATION ANY IMPLIED WARRANTIES OF MERCHANTABILITY, FITNESS FOR A PARTICULAR PURPOSE OR NON-INFRINGEMENT OF THIRD PARTY INTELLECTUAL PROPERTY RIGHTS.

These resources are intended for skilled developers designing with TI products. You are solely responsible for (1) selecting the appropriate TI products for your application, (2) designing, validating and testing your application, and (3) ensuring your application meets applicable standards, and any other safety, security, regulatory or other requirements.

These resources are subject to change without notice. TI grants you permission to use these resources only for development of an application that uses the TI products described in the resource. Other reproduction and display of these resources is prohibited. No license is granted to any other TI intellectual property right or to any third party intellectual property right. TI disclaims responsibility for, and you will fully indemnify TI and its representatives against, any claims, damages, costs, losses, and liabilities arising out of your use of these resources.

TI's products are provided subject to [TI's Terms of Sale](#) or other applicable terms available either on [ti.com](https://www.ti.com) or provided in conjunction with such TI products. TI's provision of these resources does not expand or otherwise alter TI's applicable warranties or warranty disclaimers for TI products.

TI objects to and rejects any additional or different terms you may have proposed.

Mailing Address: Texas Instruments, Post Office Box 655303, Dallas, Texas 75265
Copyright © 2023, Texas Instruments Incorporated