

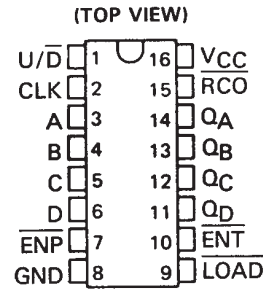
# SN54LS169B, SN54S169 SN74LS169B, SN74S169

## SYNCHRONOUS 4-BIT UP/DOWN BINARY COUNTERS

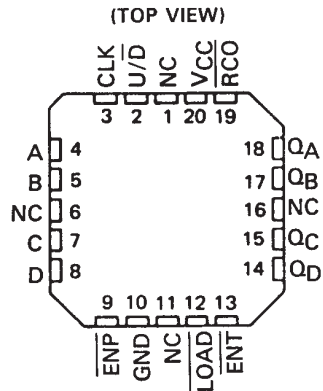
SDLS134 – OCTOBER 1976 – REVISED MARCH 1988

- Programmable Look-Ahead Up/Down Binary Counters
- Fully Synchronous Operation for Counting and Programming
- Internal Look-Ahead for Fast Counting
- Carry Output for n-Bit Cascading
- Fully Independent Clock Circuit

SN54LS169B, SN54S169 . . . J OR W PACKAGE  
SN74LS169B, SN74S169 . . . D OR N PACKAGE



SN54LS169B, SN54S169 . . . FK PACKAGE



NC-No internal connection

### description

These synchronous presettable counters feature an internal carry look-ahead for cascading in high speed counting applications. The 'LS169B and 'S169 are 4-bit binary counters. Synchronous operation is provided by having all flip-flops clocked simultaneously so that the outputs change coincident with each other when so instructed by the count-enable inputs and internal gating. This mode of operation helps eliminate the output counting spikes that are normally associated with asynchronous (ripple-clock) counters. A buffered clock input triggers the four master-slave flip-flops on the rising (positive-going) edge of the clock waveform.

These counters are fully programmable; that is the outputs may each be preset to either level. The load input circuitry allows loading with the carry-enable output of cascaded counters. As loading is synchronous, setting up a low level at the load input disables the counter and causes the outputs to agree with the data inputs after the next clock pulse.

The carry look-ahead circuitry provides for cascading counters for n-bit synchronous applications without additional gating. Instrumental in accomplishing this function are two count-enable inputs and a carry output. Both count enable inputs ( $\overline{\text{ENP}}$ ,  $\overline{\text{ENT}}$ ) must be low to count. The direction of the count is determined by the level of the up/down input. When the input is high, the counter counts up; when low, it counts down. Input ENT is fed forward to enable the carry output. The carry output thus enabled will produce a low-level output pulse with a duration approximately equal to the high portion of the  $Q_A$  output when counting up and approximately equal to the low portion of the  $Q_A$  output when counting down. This low-level overflow carry pulse can be used to enable successive cascaded stages. Transitions at the  $\overline{\text{ENP}}$  or  $\overline{\text{ENT}}$  inputs are allowed regardless of the level of the clock input. All inputs are diode-clamped to minimize transmission-line effects, thereby simplifying system design.

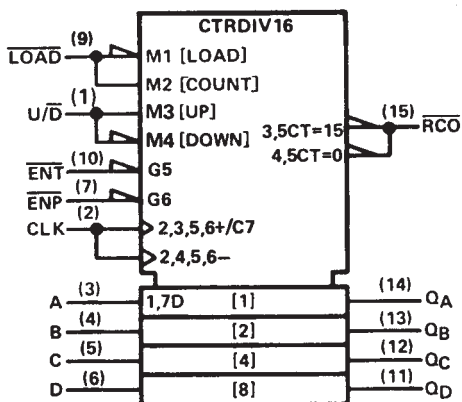
These counters feature a fully independent clock circuit. Changes at control inputs ( $\overline{\text{ENP}}$ ,  $\overline{\text{ENT}}$ ,  $\overline{\text{LOAD}}$ ,  $U/\overline{D}$ ) that will modify the operating mode have no effect until clocking occurs. The function of the counter (whether enabled, disabled, loading, or counting) will be dictated solely by the conditions meeting the stable setup and hold times.

TYPE	TYPICAL MAXIMUM CLOCK FREQUENCY		TYPICAL POWER DISSIPATION
	COUNTING UP	COUNTING DOWN	
'LS169B	35MHz	35MHz	100mW
'S169	70MHz	55MHz	500mW

SN54LS169B, SN54S169  
 SN74LS169B, SN74S169  
**SYNCHRONOUS 4-BIT UP/DOWN BINARY COUNTERS**

SDLS134 – OCTOBER 1976 – REVISED MARCH 1988

logic symbol†

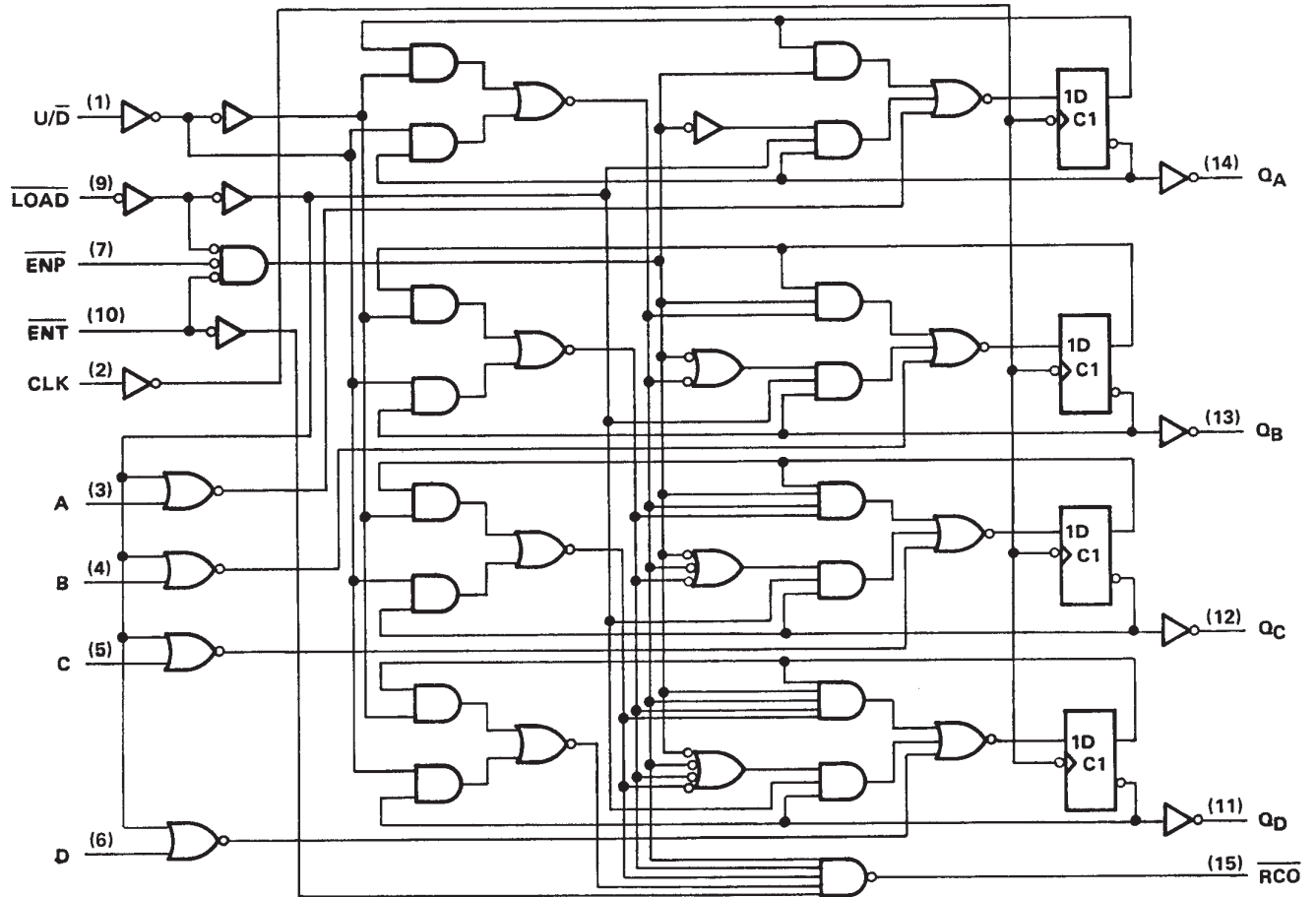


†This symbol is in accordance with ANSI/IEEE Std. 91-1984 and IEC Publication 617-12.  
 Pin numbers shown are for D, J, N, and W packages.

SN54LS169B, SN54S169  
SN74LS169B, SN74S169  
**SYNCHRONOUS 4-BIT UP/DOWN BINARY COUNTERS**

SDLS134 - OCTOBER 1976 - REVISED MARCH 1988

logic diagram (positive logic)

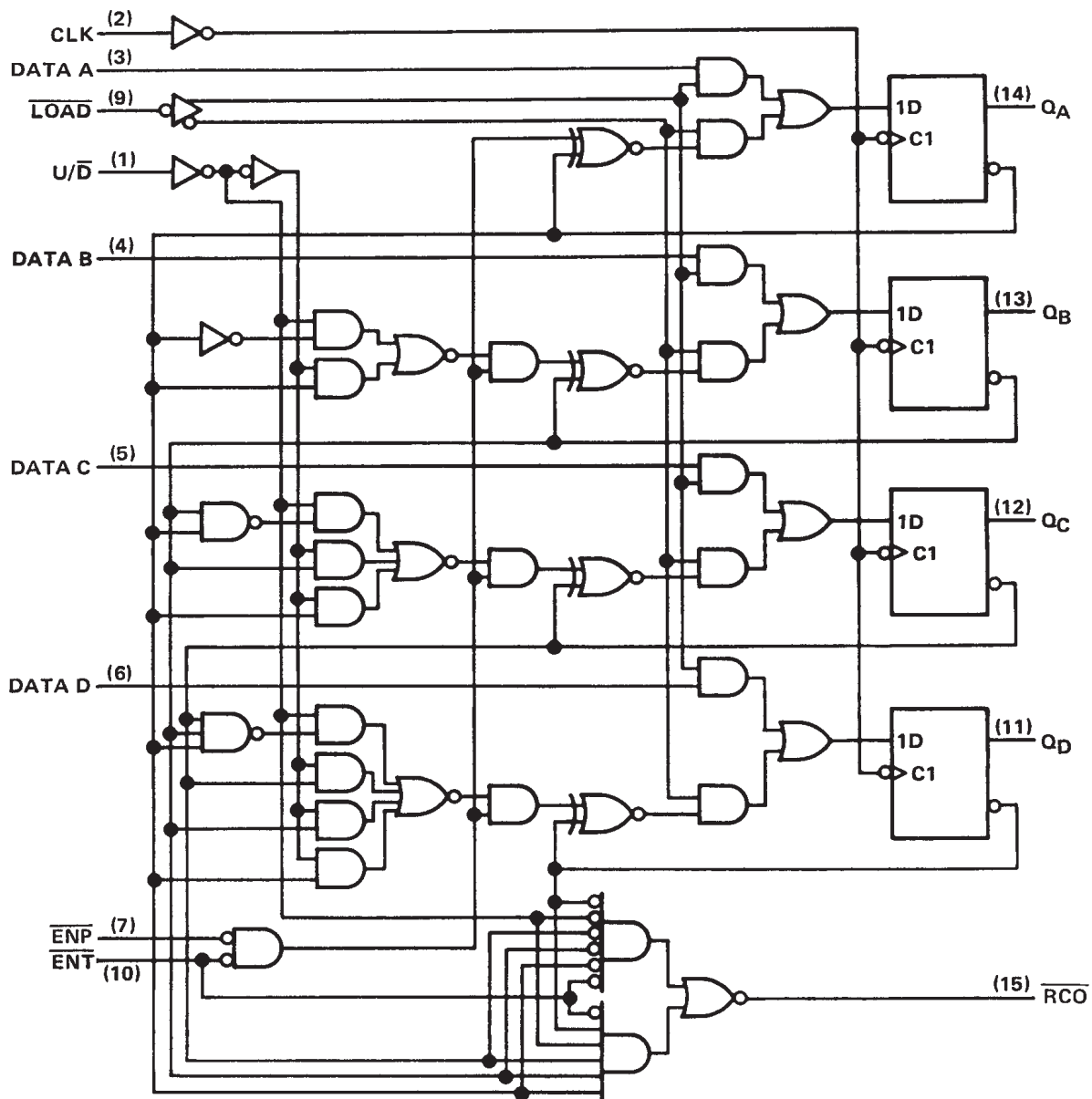


Pin numbers shown are for D, J, N, and W packages.

SN54LS169B, SN54S169  
 SN74LS169B, SN74S169  
 SYNCHRONOUS 4-BIT UP/DOWN BINARY COUNTERS

SDLS134 - OCTOBER 1976 - REVISED MARCH 1988

logic diagram (positive logic)



Pin numbers shown are for D, J, N, and W packages.

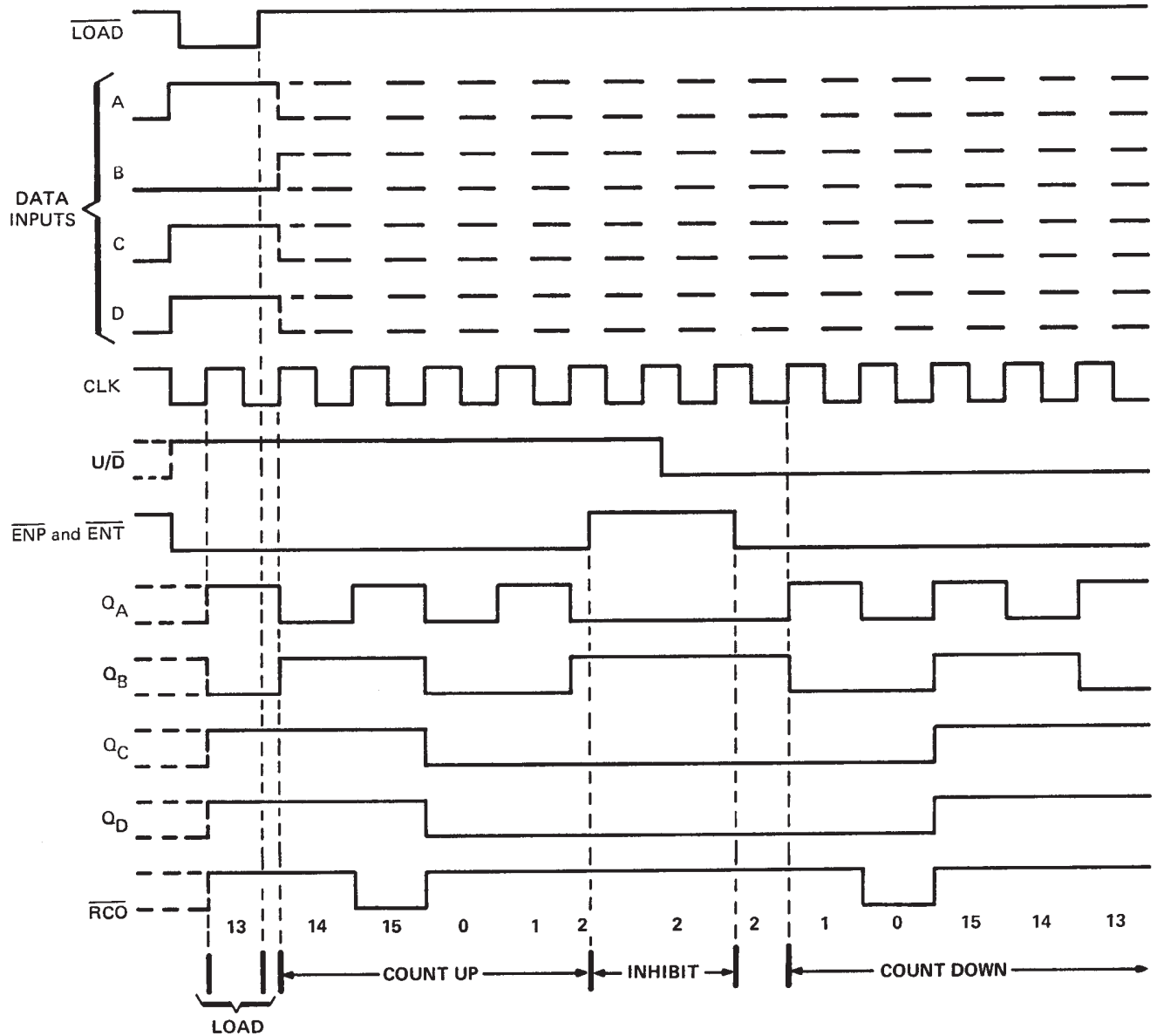


POST OFFICE BOX 655303 • DALLAS, TEXAS 75265

**typical load, count, and inhibit sequences**

Illustrated below is the following sequence:

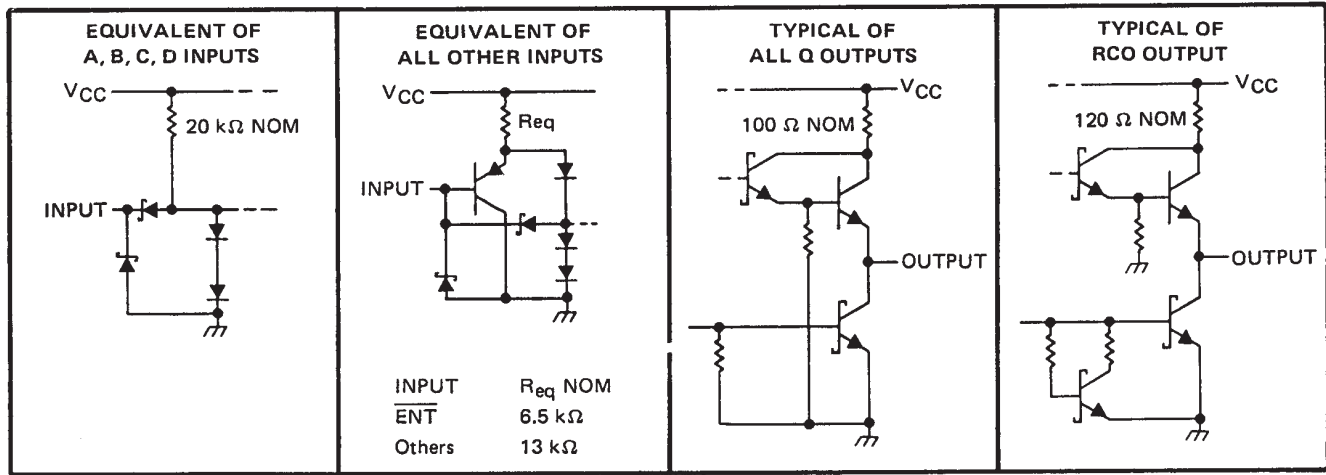
1. Load (preset) to binary thirteen.
2. Count up to fourteen, fifteen (maximum), zero, one, and two.
3. Inhibit
4. Count down to one, zero (minimum), fifteen, fourteen, and thirteen.



# SN54LS169B, SN54S169 SN74LS169B, SN74S169 SYNCHRONOUS 4-BIT UP/DOWN BINARY COUNTERS

SDLS134 – OCTOBER 1976 – REVISED MARCH 1988

## schematics of inputs and outputs



## absolute maximum ratings over operating free-air temperature range (unless otherwise noted)

Supply voltage, $V_{CC}$ (see Note 1).	.....	7 V
Input voltage	.....	7 V
Operating free-air temperature range: SN54LS169B	.....	- 55°C to 125°C
SN74LS169B	.....	0°C to 70°C
Storage temperature range	.....	- 65°C to 150°C

NOTE 1: Voltage values are with respect to network ground terminal.

## recommended operating conditions

		SN54LS169B			SN74LS169B			UNIT
		MIN	NOM	MAX	MIN	NOM	MAX	
$V_{CC}$	Supply voltage	4.5	5	5.5	4.75	5	5.25	V
$V_{IH}$	High-level-input voltage	2			2			V
$V_{IL}$	Low-level input voltage			0.7			0.8	V
$I_{OH}$	High-level output current			- 0.4			- 0.4	mA
		Any Q		- 1.2			- 1.2	mA
$I_{OL}$	Low-level output current			4			8	mA
		Any Q		12			24	mA
$f_{clock}$	Clock frequency	0	20	0	20		MHz	
$t_{w(clock)}$	Width of clock pulse (high or low) (see Figure 1)	25		25			ns	
$t_{su}$	Setup time, (see Figure 1)	Data inputs A, B, C, D		30	30		ns	
		ENP or ENT		30	30			
		Load		35	35			
		U/D		35	35			
$t_h$	Hold time at any input with respect to clock (see Figure 1)	0		0			ns	
$T_A$	Operating free-air temperature	- 55	125	0	70		°C	



POST OFFICE BOX 655303 • DALLAS, TEXAS 75265

SN54LS169B, SN54S169  
SN74LS169B, SN74S169  
**SYNCHRONOUS 4-BIT UP/DOWN BINARY COUNTERS**

SDLS134 – OCTOBER 1976 – REVISED MARCH 1988

electrical characteristics over recommended operating free-air temperature range (unless otherwise noted)

PARAMETER	TEST CONDITIONS†		SN54LS169B			SN74LS169B			UNIT	
			MIN	TYP‡	MAX	MIN	TYP‡	MAX		
V <sub>IK</sub>	V <sub>CC</sub> = MIN, I <sub>I</sub> = -18 mA		-1.5			-1.5			V	
V <sub>OH</sub>	V <sub>CC</sub> = MIN, V <sub>IH</sub> = 2 V, V <sub>IL</sub> = MAX	$\overline{RCO}$	I <sub>OH</sub> = -0.4 mA		2.5	3.4	2.7	3.4	V	
		Any Q	I <sub>OH</sub> = -1.2 mA		2.4	3.2	2.4	3.2		
V <sub>OL</sub>	V <sub>CC</sub> = MIN, V <sub>IH</sub> = 2 V, V <sub>IL</sub> = MAX	$\overline{RCO}$	I <sub>OH</sub> = 4 mA		0.25	0.4	0.25	0.4	V	
			I <sub>OL</sub> = 8 mA				0.35	0.5		
		Any Q	I <sub>OL</sub> = 12 mA		0.25	0.4	0.25	0.4		
			I <sub>OL</sub> = 24 mA				0.35	0.5		
I <sub>I</sub>	V <sub>CC</sub> = MAX, V <sub>I</sub> = 7 V		0.1			0.1			mA	
I <sub>IH</sub>	V <sub>CC</sub> = MAX, V <sub>I</sub> = 2.7 V		20			20			μA	
I <sub>IL</sub>	V <sub>CC</sub> = MAX, V <sub>I</sub> = 0.4 V	U/ $\overline{D}$ , LOAD, $\overline{ENP}$ , CLK		-0.2			-0.2			mA
		All other inputs		-0.4			-0.4			
I <sub>OS</sub> §	V <sub>CC</sub> = MAX, V <sub>O</sub> = 0 V	$\overline{RCO}$		-20	-100	-20	-100	mA		
		Any Q		-30	-130	-30	-130			
I <sub>CC</sub>	V <sub>CC</sub> = MAX, See Note 2		28	45	28	45	mA			

† For conditions shown as MIN or MAX, use the appropriate value specified under recommended operating conditions.

‡ All typical values are at V<sub>CC</sub> = 5 V, T<sub>A</sub> = 25°C.

§ Not more than one output should be shorted at a time, and duration of the short-circuit should not exceed one second.

NOTE 2: I<sub>CC</sub> is measured after applying a momentary 4.5 V, then ground, to the clock input with all other inputs grounded and the outputs open.

switching characteristics, V<sub>CC</sub> = 5 V, T<sub>A</sub> = 25°C (see note 3)

PARAMETER¶	FROM (INPUT)	TO (OUTPUT)	TEST CONDITIONS		LS169B			UNIT		
					MIN	TYP	MAX			
f <sub>max</sub>					20	35		MHz		
t <sub>PLH</sub>	CLK	$\overline{RCO}$	R <sub>L</sub> = 2 kΩ, C <sub>L</sub> = 15 pF		26	40		ns		
t <sub>PHL</sub>					17	25				
t <sub>PLH</sub>	$\overline{ENT}$	$\overline{RCO}$			15	25		ns		
t <sub>PHL</sub>					11	20				
t <sub>PLH</sub>	U/ $\overline{D}$	$\overline{RCO}$			23	35		ns		
t <sub>PHL</sub>					15	25				
t <sub>PLH</sub>	CLK	Any Q			R <sub>L</sub> = 667 Ω, C <sub>L</sub> = 45 pF		16	25		ns
t <sub>PHL</sub>							17	25		

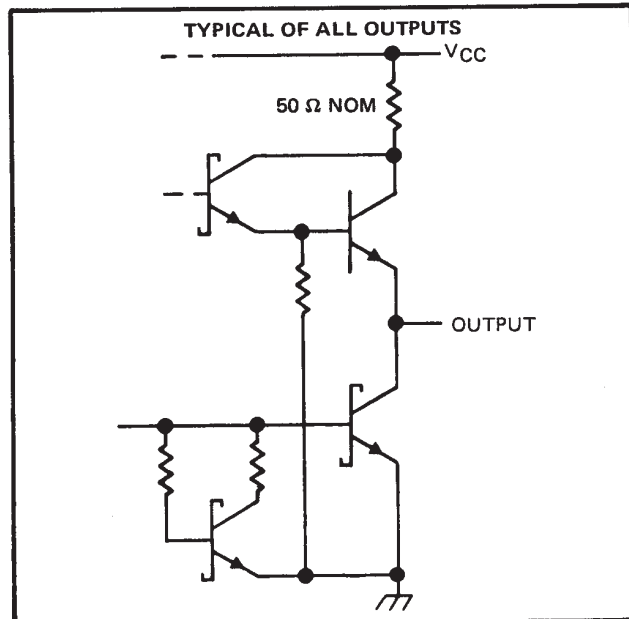
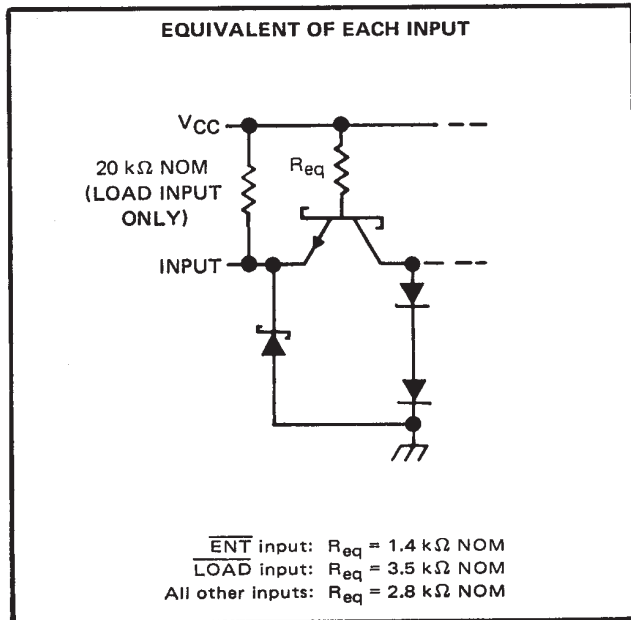
¶ Propagation delay time from up/down to ripple carry must be measured with the counter at either a minimum or a maximum count. As the logic level of the up/down input is changed, the ripple carry output will follow. If the count is minimum (0), the ripple carry output transition will be in phase. If the count is maximum (15), the ripple carry output will be out of phase.

NOTE 3: Load circuits and voltage waveforms are shown in Section 1.

**SN54LS169B, SN54S169  
SN74LS169B, SN74S169  
SYNCHRONOUS 4-BIT UP/DOWN BINARY COUNTERS**

SDLS134 – OCTOBER 1976 – REVISED MARCH 1988

**schematics of inputs and outputs**



**absolute maximum ratings over operating free-air temperature range (unless otherwise noted)**

Supply voltage, $V_{CC}$ (See Note 4) .....	7 V
Input voltage .....	5.5 V
Interemitter voltage (see Note 5) .....	5.5 V
Operating free-air temperature range: SN54S169 (see Note 6) .....	-55°C to 125°C
SN74S169 .....	0°C to 70°C
Storage temperature range .....	-65°C to 150°C

**recommended operating conditions**

	SN54S169			SN74S169			UNIT
	MIN	NOM	MAX	MIN	NOM	MAX	
Supply voltage, $V_{CC}$	4.5	5	5.5	4.75	5	5.25	V
High-level output current, $I_{OH}$			-1			-1	mA
Low-level output current, $I_{OL}$			20			20	mA
Clock frequency, $f_{clock}$	0		40	0		40	MHz
Width of clock pulse, $t_{w(clock)}$ (high or low) (see Figure 1)	10			10			ns
Setup time, $t_{su}$ (see Figure 1)	Data inputs A, B, C, D			4			ns
	$\overline{ENP}$ or $\overline{ENT}$			14			
	Load			6			
	$U/\overline{D}$			20			
Hold time at any input with respect to clock, $t_w$ (see Figure 1)	1			1			ns
Operating free-air temperature, $T_A$ (see Note 6)	-55		125	0		70	°C

- NOTES: 4. Voltage values, except interemitter voltage, are with respect to network ground terminal.  
 5. This is the voltage between two emitters of a multiple-emitter transistor. For these circuits, this rating applies between the count enable inputs  $\overline{ENP}$  and  $\overline{ENT}$ .  
 6. A SN54S169 in the W package operating at free-air temperatures above 91°C requires a heat sink that provides a thermal resistance from case to free-air,  $R_{\theta CA}$ , of not more than 26°C/W.





SN54LS169B, SN54S169  
SN74LS169B, SN74S169  
**SYNCHRONOUS 4-BIT UP/DOWN BINARY COUNTERS**

SDLS134 – OCTOBER 1976 – REVISED MARCH 1988

electrical characteristics over recommended operating free-air temperature range (unless otherwise noted)

PARAMETER	TEST CONDITIONS†	SN54S169		SN74S169		UNIT		
		MIN	TYP‡	MAX	MIN		TYP‡	MAX
V <sub>IH</sub> High-level input voltage		2			2	V		
V <sub>IL</sub> Low-level input voltage				0.8		0.8	V	
V <sub>IK</sub> Input clamp voltage	V <sub>CC</sub> = MIN, I <sub>I</sub> = -18 mA			-1.2		-1.2	V	
V <sub>OH</sub> High-level output voltage	V <sub>CC</sub> = MIN, V <sub>IH</sub> = 2 V, V <sub>IL</sub> = 0.8 V, I <sub>OH</sub> = -1 mA	2.5	3.4		2.7	3.4	V	
V <sub>OL</sub> Low-level output voltage	V <sub>CC</sub> = MIN, V <sub>IH</sub> = 2 V, V <sub>IL</sub> = 0.8 V, I <sub>OL</sub> = 20 mA			0.5		0.5	V	
I <sub>I</sub> Input current at maximum input voltage	V <sub>CC</sub> = MAX, V <sub>I</sub> = 5.5 V			1		1	mA	
I <sub>IH</sub> High-level input current	ENT			100		100	μA	
	Load	V <sub>CC</sub> = MAX, V <sub>I</sub> = 2.7 V		-10	-200	-10		-200
	Other inputs			50		50		
I <sub>IL</sub> Low-level input current	ENT	V <sub>CC</sub> = MAX, V <sub>I</sub> = 0.5 V			-4		-4	mA
	Other inputs				-2		-2	
I <sub>OS</sub> Short-circuit output current <sup>§</sup>	V <sub>CC</sub> = MAX,			-40	-100	-40	-100	mA
I <sub>CC</sub> Supply current	V <sub>CC</sub> = MAX, See Note 2			100	160	100	160	mA

† For conditions shown as MIN or MAX, use the appropriate value specified under recommended operating conditions.

‡ All typical values are at V<sub>CC</sub> = 5 V, T<sub>A</sub> = 25°C.

§ Not more than one output should be shorted at a time, and duration of the short-circuit should not exceed one second.

NOTE 2: I<sub>CC</sub> is measured after applying a momentary 4.5 V, then ground, to the clock input with all other inputs grounded and the outputs open.

switching characteristics, V<sub>CC</sub> = 5 V, T<sub>A</sub> = 25°C

PARAMETER¶	FROM (INPUT)	TO (OUTPUT)	TEST CONDITIONS	U/D = HIGH			U/D = LOW			UNIT
				MIN	TYP	MAX	MIN	TYP	MAX	
f <sub>max</sub>			C <sub>L</sub> = 15 pF, R <sub>L</sub> = 280 Ω, See Figures 2 and 3 and Note 3	40	70		40	55		MHz
t <sub>PLH</sub>	CLK	RCO			14	21		14	21	ns
t <sub>PHL</sub>					20	28		20	28	
t <sub>PLH</sub>	CLK	Any Q			8	15		8	15	ns
t <sub>PHL</sub>					11	15		11	15	
t <sub>PLH</sub>	ENT	RCO			7.5	11		6	12	ns
t <sub>PHL</sub>					15	22		15	25	
t <sub>PLH</sub> ◇	U/D	RCO			9	15		8	15	ns
t <sub>PHL</sub> ◇					10	15		16	22	

¶ t<sub>max</sub> = maximum clock frequency

t<sub>PLH</sub> = propagation delay time, low-to-high-level output

t<sub>PHL</sub> = propagation delay time, high-to-low-level output

Propagation delay time from up/down to ripple carry must be measured with the counter at either a minimum or a maximum count. As the logic level of the up/down input is changed, the ripple carry output will follow. If the count is minimum (0), the ripple carry output transition will be in phase. If the count is maximum (15 for 'S169), the ripple carry output will be out of phase.

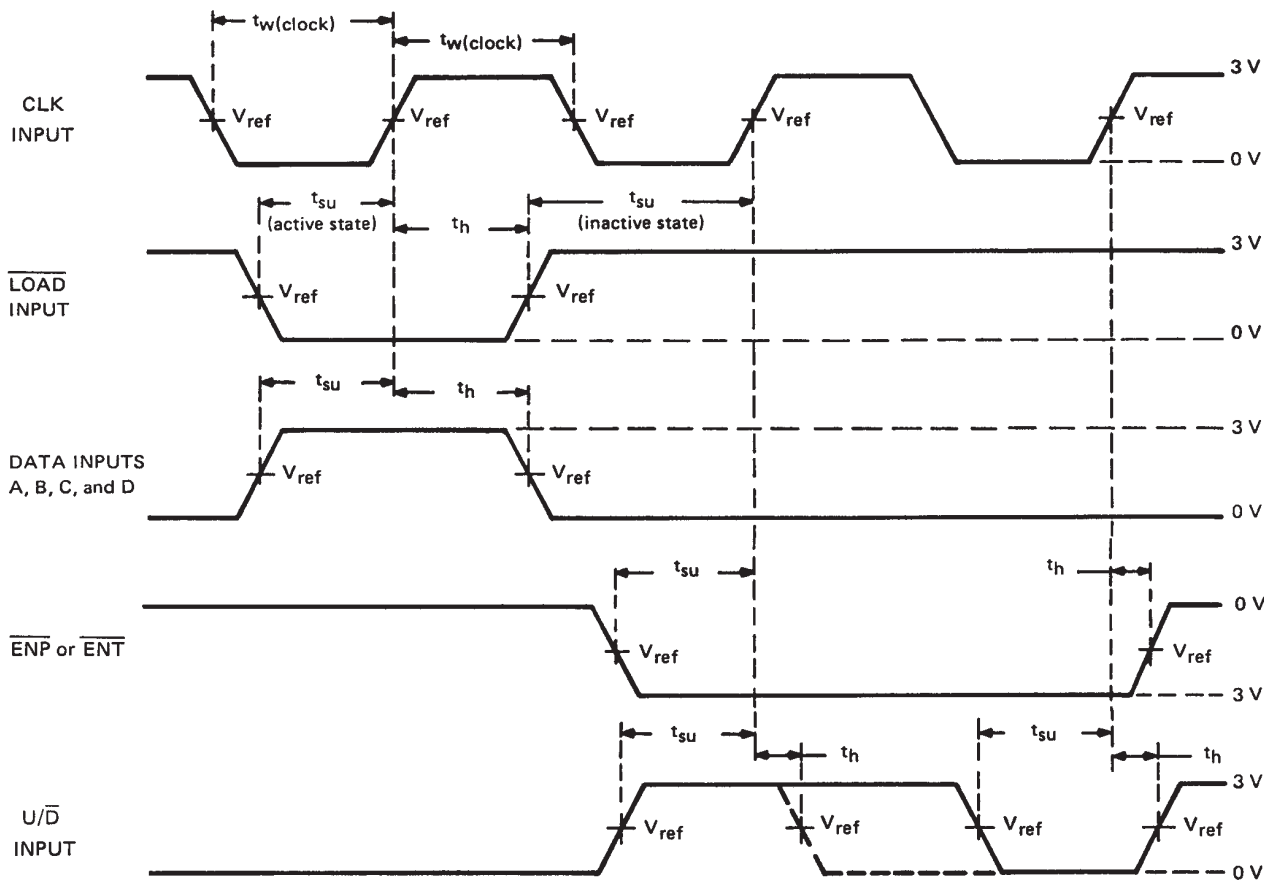
NOTE 3: Load circuits and voltage waveforms are shown in Section 1.



**SN54LS169B, SN54S169  
SN74LS169B, SN74S169  
SYNCHRONOUS 4-BIT UP/DOWN BINARY COUNTERS**

SDLS134 – OCTOBER 1976 – REVISED MARCH 1988

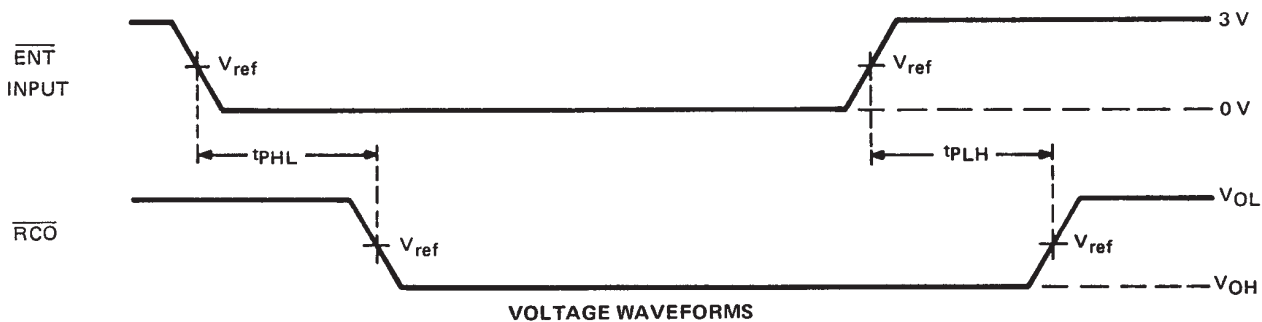
**PARAMETER MEASUREMENT INFORMATION**



**VOLTAGE WAVEFORMS**

- NOTES: A. The input pulses are supplied by a generator having the following characteristics:  $PRR \leq 1 \text{ MHz}$ , duty cycle  $\leq 50\%$ ,  $Z_{out} \approx 50 \Omega$ ; for 'LS169B,  $t_r \leq 15 \text{ ns}$ ,  $t_f \leq 6 \text{ ns}$ , and for 'S169,  $t_r \leq 2.5 \text{ ns}$ ,  $t_f \leq 2.5 \text{ ns}$ .  
B. For 'LS169B,  $V_{ref} = 1.3 \text{ V}$ ; for 'S168 and 'S169,  $V_{ref} = 1.5 \text{ V}$ .

**FIGURE 1—PULSE WIDTHS, SETUP TIMES, HOLD TIMES**



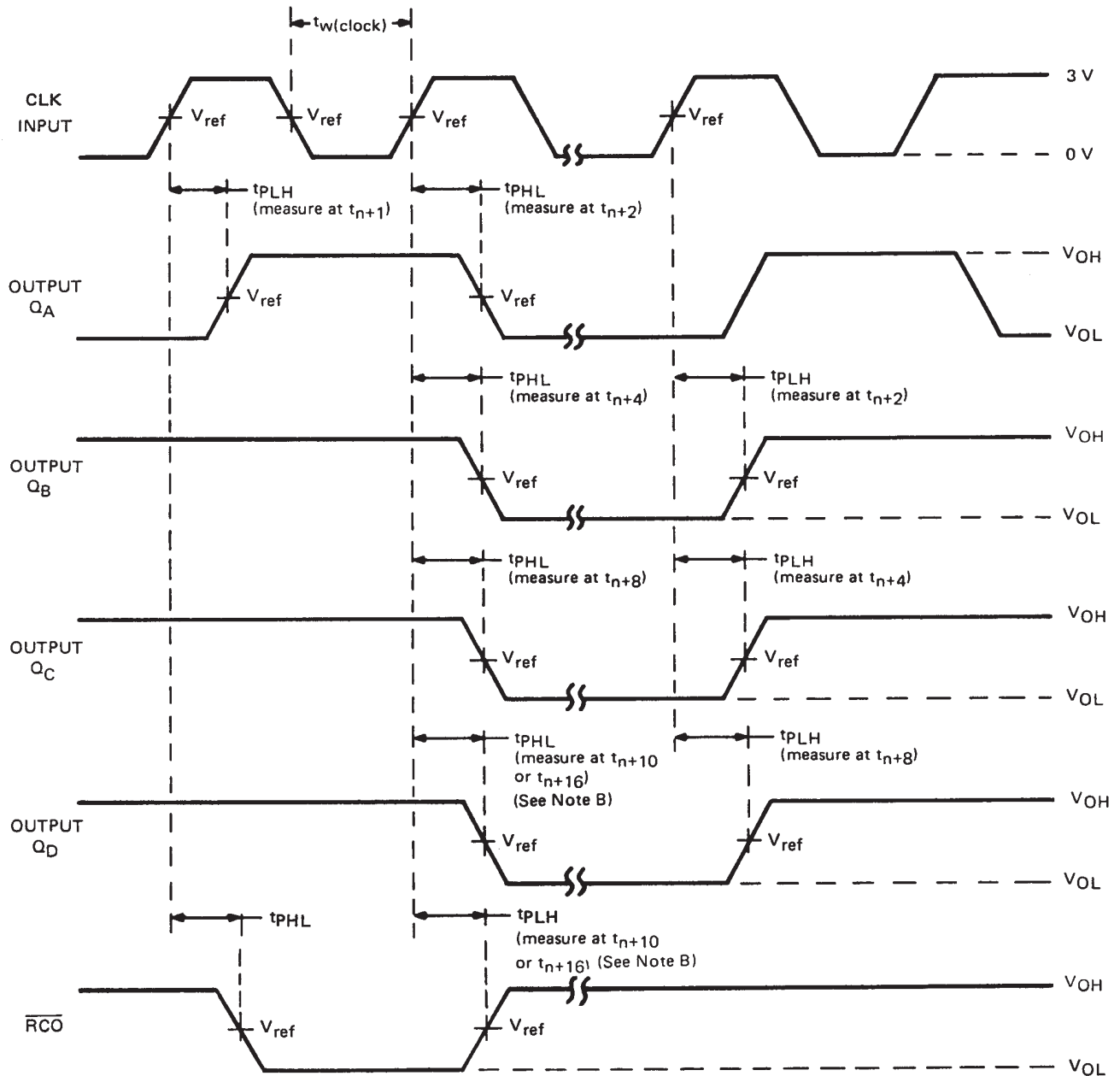
**VOLTAGE WAVEFORMS**

- NOTES: A. The input pulses are supplied by a generator having the following characteristics:  $PRR \leq \text{MHz}$ , duty cycle  $\leq 50\%$ ,  $Z_{out} \approx 50 \Omega$ ; for 'LS169B,  $t_r \leq 15 \text{ ns}$ ,  $t_f \leq 5 \text{ ns}$ ; and for 'S169,  $t_r \leq 2.5 \text{ ns}$ ,  $t_f \leq 2.5 \text{ ns}$ .  
B.  $t_{PLH}$  and  $t_{PHL}$  from enable T input to ripple carry output assume that the counter is at the maximum count, all Q outputs high.  
C. For 'LS169B,  $V_{ref} = 1.3 \text{ V}$ ; for 'S169,  $V_{ref} = 1.5 \text{ V}$ .  
D. Propagation delay time from up/down to ripple carry must be measured with the counter at either a minimum or a maximum count. As the logic level of the up/down input is changed, the ripple carry output will follow. If the count is minimum (0) the ripple carry output transition will be in phase. If the count is maximum (15), the ripple carry output will be out of phase.

**FIGURE 2—PROPAGATION DELAY TIMES TO CARRY OUTPUT**



PARAMETER MEASUREMENT INFORMATION



UP-COUNT VOLTAGE WAVEFORMS

- NOTES: A. The input pulses are supplied by a generator having the following characteristics: PRR  $\leq$  1 MHz, duty cycle  $\leq$  50%,  $Z_{\text{out}} \approx 50 \Omega$ ; for 'LS169B,  $t_r \leq 15$  ns;  $t_f \leq 6$  ns, and 'S169,  $t_r \leq 2.5$  ns,  $t_f \leq 2.5$  ns. Vary PRR to measure  $f_{\text{max}}$ .  
B. Outputs  $Q_D$  and carry are tested at  $t_{n+16}$ , where  $t_n$  is the bit-time when all outputs are low.  
C. For 'LS169B,  $V_{\text{ref}} = 1.3$  V; for 'S169,  $V_{\text{ref}} = 1.5$  V.

FIGURE 3—PROPAGATION DELAY TIMES FROM CLOCK

**PACKAGING INFORMATION**

Orderable Device	Status (1)	Package Type	Package Drawing	Pins	Package Qty	Eco Plan (2)	Lead finish/ Ball material (6)	MSL Peak Temp (3)	Op Temp (°C)	Device Marking (4/5)	Samples
80018022A	ACTIVE	LCCC	FK	20	1	Non-RoHS & Green	SNPB	N / A for Pkg Type	-55 to 125	80018022A SNJ54LS 169BFB	<a href="#">Samples</a>
8001802EA	ACTIVE	CDIP	J	16	1	Non-RoHS & Green	SNPB	N / A for Pkg Type	-55 to 125	8001802EA SNJ54LS169BJ	<a href="#">Samples</a>
8001802EA	ACTIVE	CDIP	J	16	1	Non-RoHS & Green	SNPB	N / A for Pkg Type	-55 to 125	8001802EA SNJ54LS169BJ	<a href="#">Samples</a>
8001802FA	ACTIVE	CFP	W	16	1	Non-RoHS & Green	SNPB	N / A for Pkg Type	-55 to 125	8001802FA SNJ54LS169BW	<a href="#">Samples</a>
8001802FA	ACTIVE	CFP	W	16	1	Non-RoHS & Green	SNPB	N / A for Pkg Type	-55 to 125	8001802FA SNJ54LS169BW	<a href="#">Samples</a>
SN54LS169BJ	ACTIVE	CDIP	J	16	1	Non-RoHS & Green	SNPB	N / A for Pkg Type	-55 to 125	SN54LS169BJ	<a href="#">Samples</a>
SN54LS169BJ	ACTIVE	CDIP	J	16	1	Non-RoHS & Green	SNPB	N / A for Pkg Type	-55 to 125	SN54LS169BJ	<a href="#">Samples</a>
SN54S169J	ACTIVE	CDIP	J	16	1	Non-RoHS & Green	SNPB	N / A for Pkg Type	-55 to 125	SN54S169J	<a href="#">Samples</a>
SN54S169J	ACTIVE	CDIP	J	16	1	Non-RoHS & Green	SNPB	N / A for Pkg Type	-55 to 125	SN54S169J	<a href="#">Samples</a>
SN74LS169BD	ACTIVE	SOIC	D	16	40	RoHS & Green	NIPDAU	Level-1-260C-UNLIM	0 to 70	LS169B	<a href="#">Samples</a>
SN74LS169BD	ACTIVE	SOIC	D	16	40	RoHS & Green	NIPDAU	Level-1-260C-UNLIM	0 to 70	LS169B	<a href="#">Samples</a>
SN74LS169BN	ACTIVE	PDIP	N	16	25	RoHS & Green	NIPDAU	N / A for Pkg Type	0 to 70	SN74LS169BN	<a href="#">Samples</a>
SN74LS169BN	ACTIVE	PDIP	N	16	25	RoHS & Green	NIPDAU	N / A for Pkg Type	0 to 70	SN74LS169BN	<a href="#">Samples</a>
SNJ54LS169BFB	ACTIVE	LCCC	FK	20	1	Non-RoHS & Green	SNPB	N / A for Pkg Type	-55 to 125	80018022A SNJ54LS 169BFB	<a href="#">Samples</a>
SNJ54LS169BFB	ACTIVE	LCCC	FK	20	1	Non-RoHS & Green	SNPB	N / A for Pkg Type	-55 to 125	80018022A SNJ54LS 169BFB	<a href="#">Samples</a>
SNJ54LS169BJ	ACTIVE	CDIP	J	16	1	Non-RoHS & Green	SNPB	N / A for Pkg Type	-55 to 125	8001802EA SNJ54LS169BJ	<a href="#">Samples</a>

Orderable Device	Status (1)	Package Type	Package Drawing	Pins	Package Qty	Eco Plan (2)	Lead finish/ Ball material (6)	MSL Peak Temp (3)	Op Temp (°C)	Device Marking (4/5)	Samples
SNJ54LS169BJ	ACTIVE	CDIP	J	16	1	Non-RoHS & Green	SNPB	N / A for Pkg Type	-55 to 125	8001802EA SNJ54LS169BJ	<a href="#">Samples</a>
SNJ54LS169BW	ACTIVE	CFP	W	16	1	Non-RoHS & Green	SNPB	N / A for Pkg Type	-55 to 125	8001802FA SNJ54LS169BW	<a href="#">Samples</a>
SNJ54LS169BW	ACTIVE	CFP	W	16	1	Non-RoHS & Green	SNPB	N / A for Pkg Type	-55 to 125	8001802FA SNJ54LS169BW	<a href="#">Samples</a>
SNJ54S169J	ACTIVE	CDIP	J	16	1	Non-RoHS & Green	SNPB	N / A for Pkg Type	-55 to 125	SNJ54S169J	<a href="#">Samples</a>
SNJ54S169J	ACTIVE	CDIP	J	16	1	Non-RoHS & Green	SNPB	N / A for Pkg Type	-55 to 125	SNJ54S169J	<a href="#">Samples</a>

(1) The marketing status values are defined as follows:

**ACTIVE:** Product device recommended for new designs.

**LIFEBUY:** TI has announced that the device will be discontinued, and a lifetime-buy period is in effect.

**NRND:** Not recommended for new designs. Device is in production to support existing customers, but TI does not recommend using this part in a new design.

**PREVIEW:** Device has been announced but is not in production. Samples may or may not be available.

**OBSELETE:** TI has discontinued the production of the device.

(2) **RoHS:** TI defines "RoHS" to mean semiconductor products that are compliant with the current EU RoHS requirements for all 10 RoHS substances, including the requirement that RoHS substance do not exceed 0.1% by weight in homogeneous materials. Where designed to be soldered at high temperatures, "RoHS" products are suitable for use in specified lead-free processes. TI may reference these types of products as "Pb-Free".

**RoHS Exempt:** TI defines "RoHS Exempt" to mean products that contain lead but are compliant with EU RoHS pursuant to a specific EU RoHS exemption.

**Green:** TI defines "Green" to mean the content of Chlorine (Cl) and Bromine (Br) based flame retardants meet JS709B low halogen requirements of <=1000ppm threshold. Antimony trioxide based flame retardants must also meet the <=1000ppm threshold requirement.

(3) MSL, Peak Temp. - The Moisture Sensitivity Level rating according to the JEDEC industry standard classifications, and peak solder temperature.

(4) There may be additional marking, which relates to the logo, the lot trace code information, or the environmental category on the device.

(5) Multiple Device Markings will be inside parentheses. Only one Device Marking contained in parentheses and separated by a "~" will appear on a device. If a line is indented then it is a continuation of the previous line and the two combined represent the entire Device Marking for that device.

(6) Lead finish/Ball material - Orderable Devices may have multiple material finish options. Finish options are separated by a vertical ruled line. Lead finish/Ball material values may wrap to two lines if the finish value exceeds the maximum column width.

**Important Information and Disclaimer:**The information provided on this page represents TI's knowledge and belief as of the date that it is provided. TI bases its knowledge and belief on information provided by third parties, and makes no representation or warranty as to the accuracy of such information. Efforts are underway to better integrate information from third parties. TI has taken and continues to take reasonable steps to provide representative and accurate information but may not have conducted destructive testing or chemical analysis on incoming materials and chemicals. TI and TI suppliers consider certain information to be proprietary, and thus CAS numbers and other limited information may not be available for release.

In no event shall TI's liability arising out of such information exceed the total purchase price of the TI part(s) at issue in this document sold by TI to Customer on an annual basis.

**OTHER QUALIFIED VERSIONS OF SN54LS169B, SN74LS169B :**

- Catalog : [SN74LS169B](#)
- Military : [SN54LS169B](#)

NOTE: Qualified Version Definitions:

- Catalog - TI's standard catalog product
- Military - QML certified for Military and Defense Applications

**TUBE**


\*All dimensions are nominal

Device	Package Name	Package Type	Pins	SPQ	L (mm)	W (mm)	T (μm)	B (mm)
80018022A	FK	LCCC	20	1	506.98	12.06	2030	NA
8001802FA	W	CFP	16	1	506.98	26.16	6220	NA
SN74LS169BD	D	SOIC	16	40	507	8	3940	4.32
SN74LS169BN	N	PDIP	16	25	506	13.97	11230	4.32
SN74LS169BN	N	PDIP	16	25	506	13.97	11230	4.32
SNJ54LS169BFK	FK	LCCC	20	1	506.98	12.06	2030	NA
SNJ54LS169BW	W	CFP	16	1	506.98	26.16	6220	NA

W (R-GDFP-F16)

CERAMIC DUAL FLATPACK



- NOTES:
- A. All linear dimensions are in inches (millimeters).
  - B. This drawing is subject to change without notice.
  - C. This package can be hermetically sealed with a ceramic lid using glass frit.
  - D. Index point is provided on cap for terminal identification only.
  - E. Falls within MIL STD 1835 GDFP2-F16



## GENERIC PACKAGE VIEW

**FK 20**

**LCCC - 2.03 mm max height**

8.89 x 8.89, 1.27 mm pitch

LEADLESS CERAMIC CHIP CARRIER

This image is a representation of the package family, actual package may vary.  
Refer to the product data sheet for package details.



4229370VA\

J (R-GDIP-T\*\*)

14 LEADS SHOWN

CERAMIC DUAL IN-LINE PACKAGE



DIM \ PINS **	14	16	18	20
A	0.300 (7,62) BSC	0.300 (7,62) BSC	0.300 (7,62) BSC	0.300 (7,62) BSC
B MAX	0.785 (19,94)	.840 (21,34)	0.960 (24,38)	1.060 (26,92)
B MIN	—	—	—	—
C MAX	0.300 (7,62)	0.300 (7,62)	0.310 (7,87)	0.300 (7,62)
C MIN	0.245 (6,22)	0.245 (6,22)	0.220 (5,59)	0.245 (6,22)



4040083/F 03/03

- NOTES:
- All linear dimensions are in inches (millimeters).
  - This drawing is subject to change without notice.
  - This package is hermetically sealed with a ceramic lid using glass frit.
  - Index point is provided on cap for terminal identification only on press ceramic glass frit seal only.
  - Falls within MIL STD 1835 GDIP1-T14, GDIP1-T16, GDIP1-T18 and GDIP1-T20.

N (R-PDIP-T\*\*)

PLASTIC DUAL-IN-LINE PACKAGE

16 PINS SHOWN



4040049/E 12/2002

- NOTES:
- A. All linear dimensions are in inches (millimeters).
  - B. This drawing is subject to change without notice.
  - $\triangle C$  Falls within JEDEC MS-001, except 18 and 20 pin minimum body length (Dim A).
  - $\triangle D$  The 20 pin end lead shoulder width is a vendor option, either half or full width.

D (R-PDSO-G16)

PLASTIC SMALL OUTLINE



- NOTES:
- A. All linear dimensions are in inches (millimeters).
  - B. This drawing is subject to change without notice.
  - C. Body length does not include mold flash, protrusions, or gate burrs. Mold flash, protrusions, or gate burrs shall not exceed 0.006 (0,15) each side.
  - D. Body width does not include interlead flash. Interlead flash shall not exceed 0.017 (0,43) each side.
  - E. Reference JEDEC MS-012 variation AC.

D (R-PDSO-G16)

PLASTIC SMALL OUTLINE



- NOTES:
- All linear dimensions are in millimeters.
  - This drawing is subject to change without notice.
  - Publication IPC-7351 is recommended for alternate designs.
  - Laser cutting apertures with trapezoidal walls and also rounding corners will offer better paste release. Customers should contact their board assembly site for stencil design recommendations. Refer to IPC-7525 for other stencil recommendations.
  - Customers should contact their board fabrication site for solder mask tolerances between and around signal pads.

## IMPORTANT NOTICE AND DISCLAIMER

TI PROVIDES TECHNICAL AND RELIABILITY DATA (INCLUDING DATA SHEETS), DESIGN RESOURCES (INCLUDING REFERENCE DESIGNS), APPLICATION OR OTHER DESIGN ADVICE, WEB TOOLS, SAFETY INFORMATION, AND OTHER RESOURCES "AS IS" AND WITH ALL FAULTS, AND DISCLAIMS ALL WARRANTIES, EXPRESS AND IMPLIED, INCLUDING WITHOUT LIMITATION ANY IMPLIED WARRANTIES OF MERCHANTABILITY, FITNESS FOR A PARTICULAR PURPOSE OR NON-INFRINGEMENT OF THIRD PARTY INTELLECTUAL PROPERTY RIGHTS.

These resources are intended for skilled developers designing with TI products. You are solely responsible for (1) selecting the appropriate TI products for your application, (2) designing, validating and testing your application, and (3) ensuring your application meets applicable standards, and any other safety, security, regulatory or other requirements.

These resources are subject to change without notice. TI grants you permission to use these resources only for development of an application that uses the TI products described in the resource. Other reproduction and display of these resources is prohibited. No license is granted to any other TI intellectual property right or to any third party intellectual property right. TI disclaims responsibility for, and you will fully indemnify TI and its representatives against, any claims, damages, costs, losses, and liabilities arising out of your use of these resources.

TI's products are provided subject to [TI's Terms of Sale](#) or other applicable terms available either on [ti.com](https://www.ti.com) or provided in conjunction with such TI products. TI's provision of these resources does not expand or otherwise alter TI's applicable warranties or warranty disclaimers for TI products.

TI objects to and rejects any additional or different terms you may have proposed.

Mailing Address: Texas Instruments, Post Office Box 655303, Dallas, Texas 75265  
Copyright © 2023, Texas Instruments Incorporated