

INA281, –4-V to 110-V, 1.3-MHz Current-Sense Amplifier

1 Features

- Wide common-mode voltage:
 - Operational voltage: –4 V to +110 V
 - Survival voltage: –20 V to +120 V
- Excellent CMRR:
 - 120-dB DC CMRR
 - 65-dB AC CMRR at 50 kHz
- Accuracy:
 - Gain:
 - Gain error: $\pm 0.5\%$ (maximum)
 - Gain drift: ± 20 ppm/ $^{\circ}\text{C}$ (maximum)
 - Offset:
 - Offset voltage: ± 55 μV (typical)
 - Offset drift: ± 0.1 $\mu\text{V}/^{\circ}\text{C}$ (typical)
- Available gains:
 - INA281A1, INA281B1 : 20 V/V
 - INA281A2, INA281B2 : 50 V/V
 - INA281A3, INA281B3 : 100 V/V
 - INA281A4, INA281B4 : 200 V/V
 - INA281A5, INA281B5 : 500 V/V
- High bandwidth: 1.3 MHz
- Slew rate: 2.5V/ μs
- Quiescent current: 1.5 mA

2 Applications

- [Active antenna system mMIMO \(AAS\)](#)
- [Macro remote radio unit \(RRU\)](#)
- [48-V rack server](#)
- [48-V merchant network & server power supply \(PSU\)](#)
- [Solenoid control](#)
- [Valve control](#)
- [Telecom equipment](#)
- [Power supplies](#)

3 Description

The INA281 is a high-precision current sense amplifier that can measure voltage drops across shunt resistors over a wide common-mode range from –4 V to 110 V. The negative common-mode voltage allows the device to operate below ground, thus accommodating precise measurement of recirculating currents in half-bridge applications. The combination of a low offset voltage, small gain error and high DC CMRR enables highly accurate current measurement. The INA281 is not only designed for DC current measurement, but also for high-speed applications (like fast overcurrent protection, for example) with a high bandwidth of 1.3 MHz and an 65-dB AC CMRR (at 50 kHz).

The INA281 operates from a single 2.7-V to 20-V supply, drawing 1.5 mA of supply current. The INA281 is available with five gain options: 20 V/V, 50 V/V, 100 V/V, 200 V/V, and 500 V/V. These gain options address wide dynamic range for current-sensing applications.

The INA281 is specified over an operating temperature range of –40 $^{\circ}\text{C}$ to +125 $^{\circ}\text{C}$ and is offered in a space-saving SOT-23 package with two pin-out variants.

Device Information⁽¹⁾

| PART NUMBER | PACKAGE | BODY SIZE (NOM) |
|-------------|------------|-------------------|
| INA281 | SOT-23 (5) | 2.90 mm x 1.60 mm |

(1) For all available packages, see the package option addendum at the end of the data sheet.

Functional Block Diagram

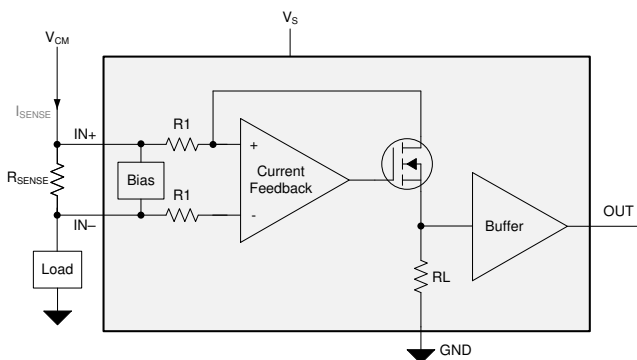


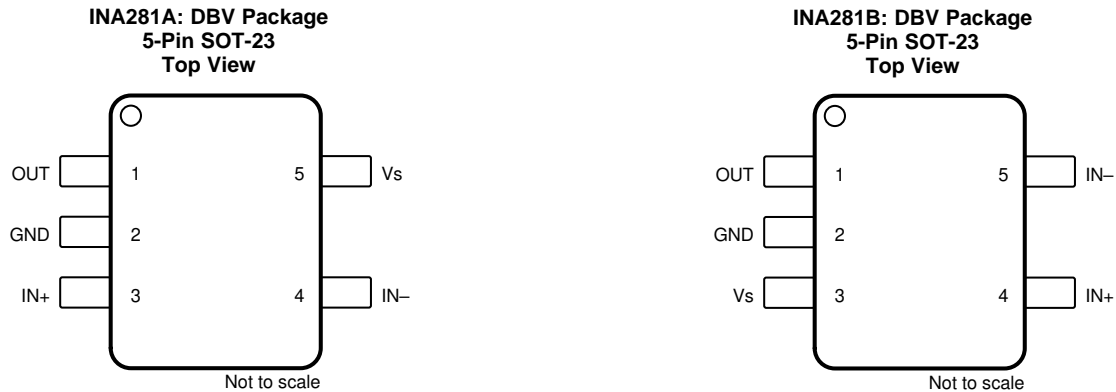
Table of Contents

| | | | |
|--|-----------|--|-----------|
| 1 Features | 1 | 7.4 Device Functional Modes..... | 13 |
| 2 Applications | 1 | 8 Application and Implementation | 14 |
| 3 Description | 1 | 8.1 Application Information..... | 14 |
| 4 Revision History | 2 | 8.2 Typical Application | 16 |
| 5 Pin Configuration and Functions | 3 | 9 Power Supply Recommendations | 17 |
| 6 Specifications | 3 | 10 Layout | 18 |
| 6.1 Absolute Maximum Ratings | 3 | 10.1 Layout Guidelines | 18 |
| 6.2 ESD Ratings..... | 3 | 10.2 Layout Example | 18 |
| 6.3 Recommended Operating Conditions | 4 | 11 Device and Documentation Support | 19 |
| 6.4 Thermal Information | 4 | 11.1 Documentation Support | 19 |
| 6.5 Electrical Characteristics..... | 4 | 11.2 Receiving Notification of Documentation Updates | 19 |
| 6.6 Typical Characteristics | 6 | 11.3 Support Resources | 19 |
| 7 Detailed Description | 11 | 11.4 Trademarks | 19 |
| 7.1 Overview | 11 | 11.5 Electrostatic Discharge Caution..... | 19 |
| 7.2 Functional Block Diagram | 11 | 11.6 Glossary | 19 |
| 7.3 Feature Description..... | 11 | 12 Mechanical, Packaging, and Orderable Information | 19 |

4 Revision History

| DATE | REVISION | NOTES |
|-----------|----------|-----------------|
| June 2020 | * | Initial release |

5 Pin Configuration and Functions



Pin Functions

| NAME | PIN | | TYPE | DESCRIPTION |
|----------------|---------|---------|--------|-------------------------------------|
| | INA281A | INA281B | | |
| GND | 2 | 2 | Ground | Ground |
| IN– | 4 | 5 | Input | Shunt resistor negative sense input |
| IN+ | 3 | 4 | Input | Shunt resistor positive sense input |
| OUT | 1 | 1 | Output | Output voltage |
| V _S | 5 | 3 | Power | Power supply |

6 Specifications

6.1 Absolute Maximum Ratings

over operating free-air temperature range (unless otherwise noted)⁽¹⁾

| | | MIN | MAX | UNIT |
|---|--|-----------|----------------------|------|
| Supply Voltage (V _S) | | –0.3 | 22 | V |
| Analog Inputs, V _{IN+} , V _{IN–} ⁽²⁾ | Differential (V _{IN+}) – (V _{IN–}), INA281A5, INA281B5 | –6 | 6 | V |
| | Differential (V _{IN+}) – (V _{IN–}), All others | –12 | 12 | |
| | Common-mode | –20 | 120 | |
| Output | | GND – 0.3 | V _S + 0.3 | V |
| T _A | Operating temperature | –55 | 150 | °C |
| T _J | Junction temperature | | 150 | °C |
| T _{stg} | Storage temperature | –65 | 150 | °C |

(1) Stresses beyond those listed under *Absolute Maximum Rating* may cause permanent damage to the device. These are stress ratings only, which do not imply functional operation of the device at these or any other conditions beyond those indicated under *Recommended Operating Condition*. Exposure to absolute-maximum-rated conditions for extended periods may affect device reliability.

(2) V_{IN+} and V_{IN–} are the voltages at the IN+ and IN– pins, respectively.

6.2 ESD Ratings

| | | VALUE | UNIT |
|--------------------|-------------------------|--|-------|
| V _(ESD) | Electrostatic discharge | Human body model (HBM), per ANSI/ESDA/JEDEC JS-001, all pins ⁽¹⁾ | ±2000 |
| | | Charged device model (CDM), per JEDEC specification JESD22-C101, all pins ⁽²⁾ | ±1000 |

(1) JEDEC document JEP155 states that 500-V HBM allows safe manufacturing with a standard ESD control process.

(2) JEDEC document JEP157 states that 250-V CDM allows safe manufacturing with a standard ESD control process.

6.3 Recommended Operating Conditions

over operating free-air temperature range (unless otherwise noted)

| | | MIN | NOM | MAX | UNIT |
|-------------|--------------------------------|-----|-----|-----------|------|
| V_{CM} | Common-mode input range | -4 | 48 | 110 | V |
| V_S | Operating supply range | 2.7 | 5 | 20 | V |
| V_{SENSE} | Differential sense input range | 0 | | V_S / G | V |
| T_A | Ambient temperature | -40 | | 125 | °C |

6.4 Thermal Information

| THERMAL METRIC ⁽¹⁾ | | INA281 | | UNIT |
|-------------------------------|--|--------------|--|------|
| | | DBV (SOT-23) | | |
| | | 5 PINS | | |
| $R_{\theta JA}$ | Junction-to-ambient thermal resistance | 184.7 | | °C/W |
| $R_{\theta JC(top)}$ | Junction-to-case (top) thermal resistance | 105.6 | | °C/W |
| $R_{\theta JB}$ | Junction-to-board thermal resistance | 47.2 | | °C/W |
| Ψ_{JT} | Junction-to-top characterization parameter | 21.5 | | °C/W |
| Ψ_{JB} | Junction-to-board characterization parameter | 46.9 | | °C/W |
| $R_{\theta JC(bot)}$ | Junction-to-case (bottom) thermal resistance | N/A | | °C/W |

(1) For more information about traditional and new thermal metrics, see the [Semiconductor and IC Package Thermal Metrics](#) application report.

6.5 Electrical Characteristics

 at $T_A = 25\text{ °C}$, $V_S = 5\text{ V}$, $V_{SENSE} = V_{IN+} - V_{IN-} = 0.5\text{ V / Gain}$, $V_{CM} = V_{IN-} = 48\text{ V}$ (unless otherwise noted)

| PARAMETER | | TEST CONDITIONS | MIN | TYP | MAX | UNIT |
|--------------|--|---|-----|------|------|-------|
| INPUT | | | | | | |
| V_{CM} | Common-mode input range ⁽¹⁾ | $T_A = -40\text{ °C to }+125\text{ °C}$ | -4 | | 110 | V |
| CMRR | Common-mode rejection ratio, input referred | $-4\text{ V} \leq V_{CM} \leq 110\text{ V}$, $T_A = -40\text{ °C to }+125\text{ °C}$ | 120 | 140 | | dB |
| | | $f = 50\text{ kHz}$ | | 65 | | dB |
| V_{os} | Offset voltage, input referred | INA281x1 | | ±100 | ±500 | μV |
| | | INA281x2 | | ±55 | ±300 | |
| | | INA281x3 | | ±30 | ±250 | |
| | | INA281x4 | | ±30 | ±200 | |
| | | INA281x5 | | ±15 | ±150 | |
| dV_{os}/dT | Offset voltage drift | $T_A = -40\text{ °C to }+125\text{ °C}$ | | ±0.1 | ±1 | μV/°C |
| PSRR | Power supply rejection ratio, input referred | $2.7\text{ V} \leq V_S \leq 20\text{ V}$, $T_A = -40\text{ °C to }+125\text{ °C}$ | | ±1.5 | ±10 | μV/V |
| I_B | Input bias current | I_{B+} , $V_{SENSE} = 0\text{ V}$ | 10 | 20 | 30 | μA |
| | | I_{B-} , $V_{SENSE} = 0\text{ V}$ | 10 | 20 | 30 | μA |

(1) Common-mode voltage at both V_{IN+} and V_{IN-} must not exceed the specified common-mode input range.

Electrical Characteristics (continued)

at $T_A = 25\text{ }^\circ\text{C}$, $V_S = 5\text{ V}$, $V_{\text{SENSE}} = V_{\text{IN}+} - V_{\text{IN}-} = 0.5\text{ V}$ / Gain, $V_{\text{CM}} = V_{\text{IN}-} = 48\text{ V}$ (unless otherwise noted)

| PARAMETER | | TEST CONDITIONS | MIN | TYP | MAX | UNIT |
|---------------------------|---|---|-----|-----------------------|-----------------------|--------|
| OUTPUT | | | | | | |
| G | Gain | INA281x1 | | 20 | | V/V |
| | | INA281x2 | | 50 | | V/V |
| | | INA281x3 | | 100 | | V/V |
| | | INA281x4 | | 200 | | V/V |
| | | INA281x5 | | 500 | | V/V |
| G _{ERR} | Gain error | GND + 50 mV ≤ V _{OUT} ≤ V _S – 200 mV | | ±0.07 | ±0.5 | % |
| | | T _A = –40 °C to +125 °C | | ±2 | ±20 | ppm/°C |
| NL _{ERR} | Nonlinearity error | | | 0.01 | | % |
| | Maximum capacitive load | No sustained oscillations, no isolation resistor | | 500 | | pF |
| VOLTAGE OUTPUT | | | | | | |
| | Swing to V _S (Power supply rail) | R _{LOAD} = 10 kΩ, T _A = –40 °C to +125 °C | | V _S – 0.07 | V _S – 0.15 | V |
| | Swing to ground | R _{LOAD} = 10 kΩ, V _{SENSE} = 0 V, T _A = –40 °C to +125 °C | | 0.005 | 0.02 | V |
| FREQUENCY RESPONSE | | | | | | |
| BW | Bandwidth | INA281x1, C _{LOAD} = 5 pF, V _{SENSE} = 200 mV | | 1300 | | kHz |
| | | INA281x2, C _{LOAD} = 5 pF, V _{SENSE} = 80 mV | | 1300 | | |
| | | INA281x3, C _{LOAD} = 5 pF, V _{SENSE} = 40 mV | | 1000 | | |
| | | INA281x4, C _{LOAD} = 5 pF, V _{SENSE} = 20 mV | | 900 | | |
| | | INA281x5, C _{LOAD} = 5 pF, V _{SENSE} = 8 mV | | 900 | | |
| SR | Slew rate | Rising edge | | 2.5 | | V/μs |
| | Settling time | V _{OUT} = 4 V ± 0.1 V step, Output settles to 0.5% | | 10 | | μs |
| | | V _{OUT} = 4 V ± 0.1 V step, Output settles to 1% | | 5 | | |
| | | V _{OUT} = 4 V ± 0.1 V step, Output settles to 5% | | 1 | | |
| NOISE | | | | | | |
| V _{en} | Voltage noise density | | | 50 | | nV/√Hz |
| POWER SUPPLY | | | | | | |
| V _S | Supply voltage | T _A = –40 °C to +125 °C | | 2.7 | 20 | V |
| I _Q | Quiescent current | | | 1.5 | 2 | mA |
| | | T _A = –40 °C to +125 °C | | | 2.25 | mA |

6.6 Typical Characteristics

All specifications at $T_A = 25\text{ }^\circ\text{C}$, $V_S = 5\text{ V}$, $V_{\text{SENSE}} = V_{\text{IN}+} - V_{\text{IN}-} = 0.5\text{ V} / \text{Gain}$, $V_{\text{CM}} = V_{\text{IN}-} = 48\text{ V}$, unless otherwise noted.

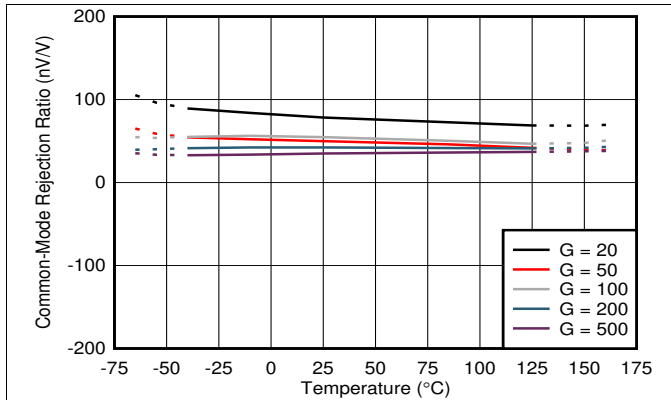


Figure 1. Common-Mode Rejection Ratio vs Temperature

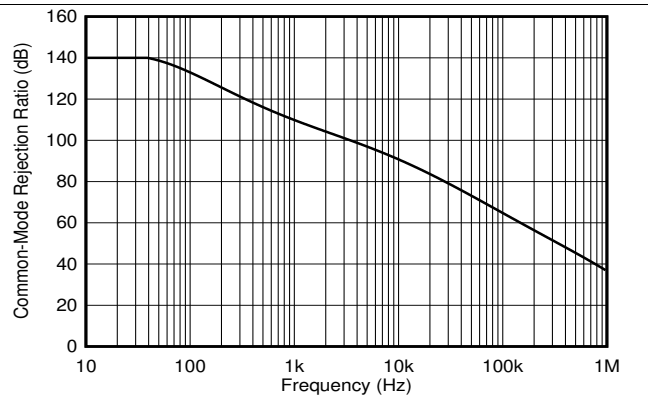


Figure 2. Common-Mode Rejection Ratio vs Frequency

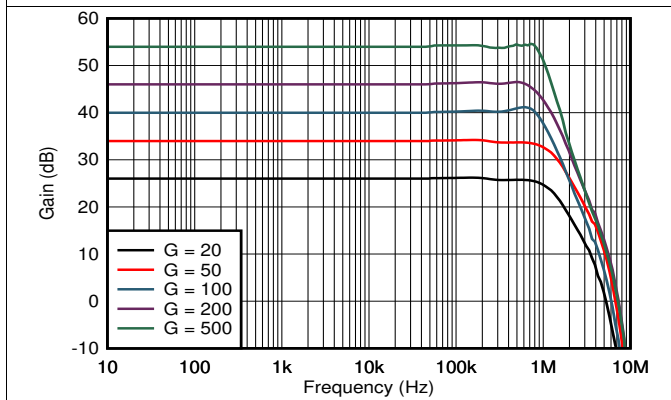


Figure 3. Gain vs Frequency

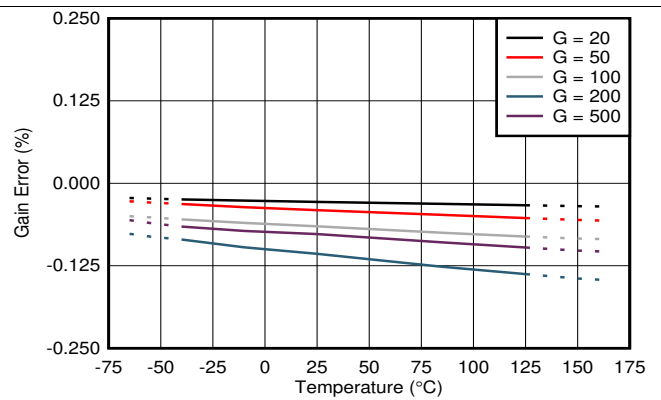
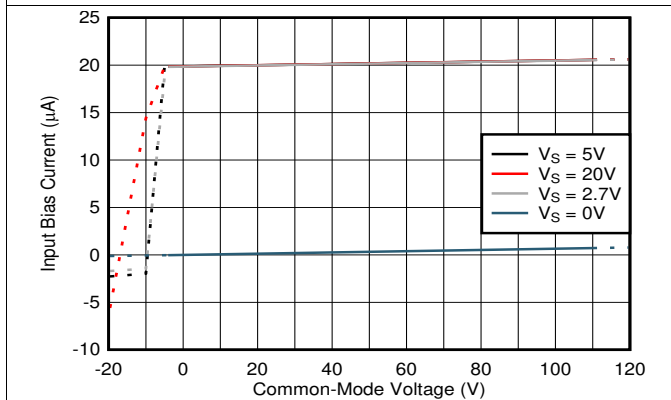


Figure 4. Gain Error vs Temperature



$V_{\text{SENSE}} = 0\text{ V}$

Figure 5. Input Bias Current vs Common-Mode Voltage

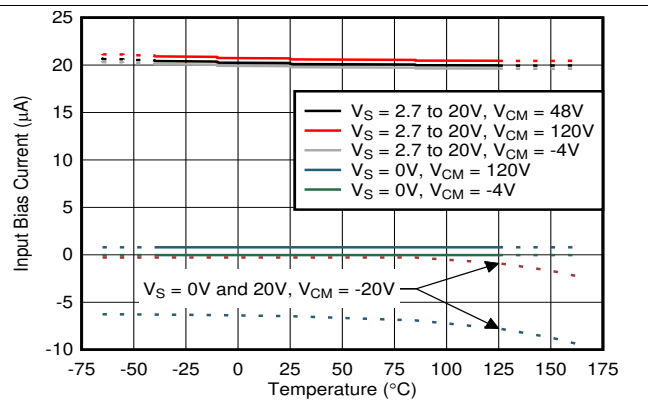
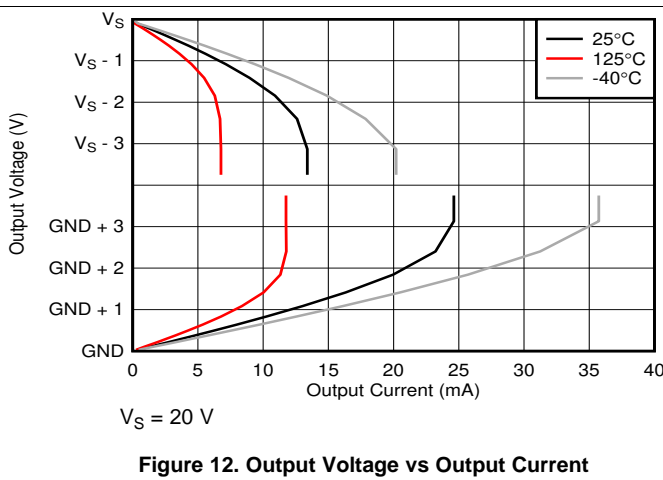
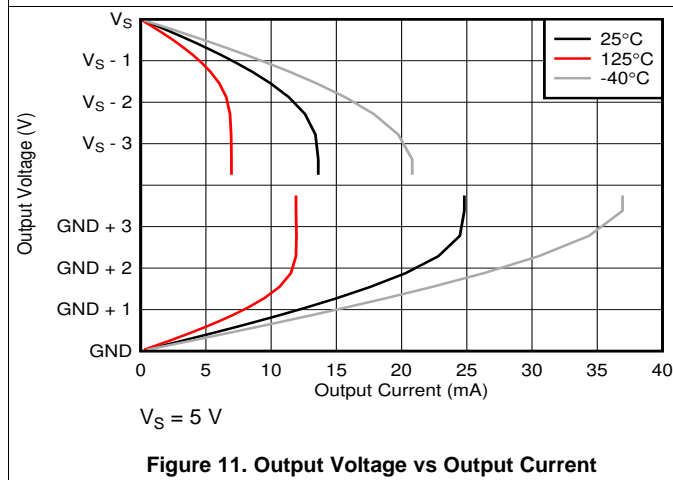
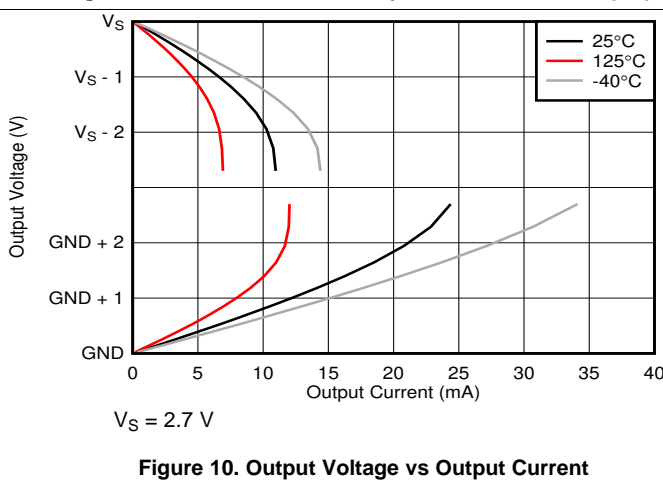
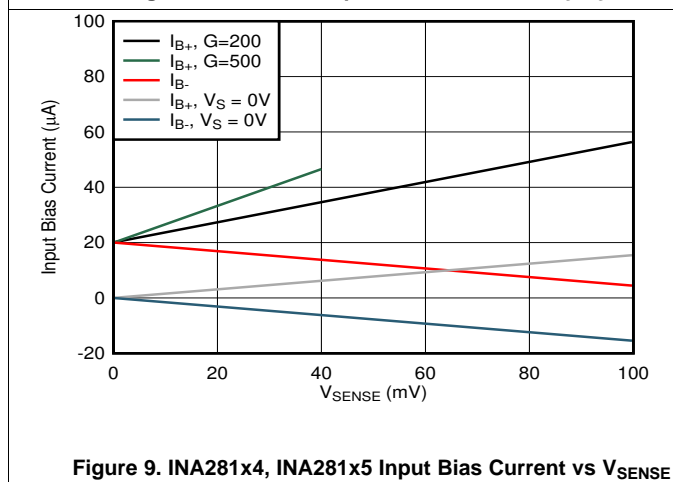
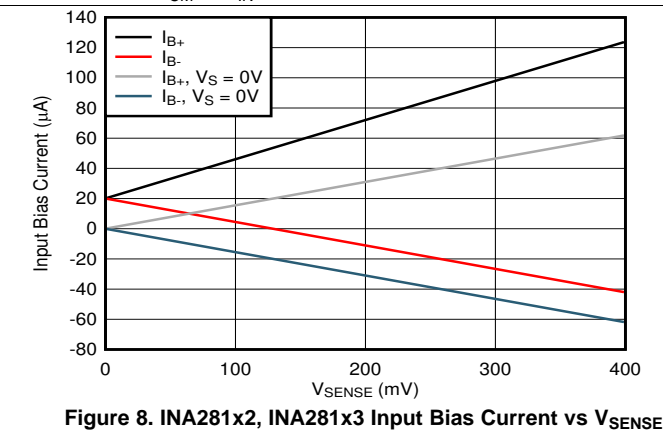
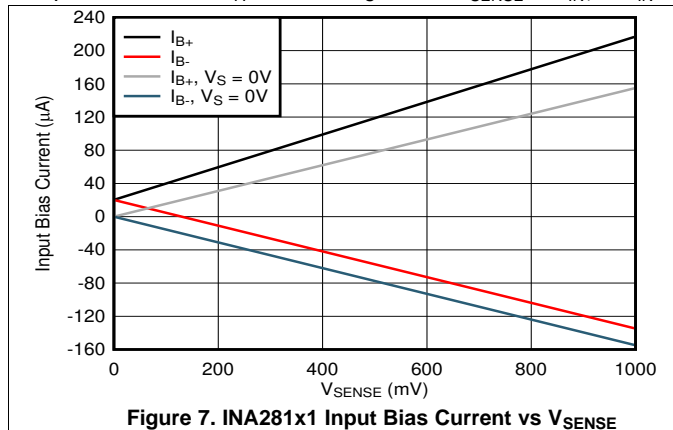


Figure 6. Input Bias Current vs Temperature

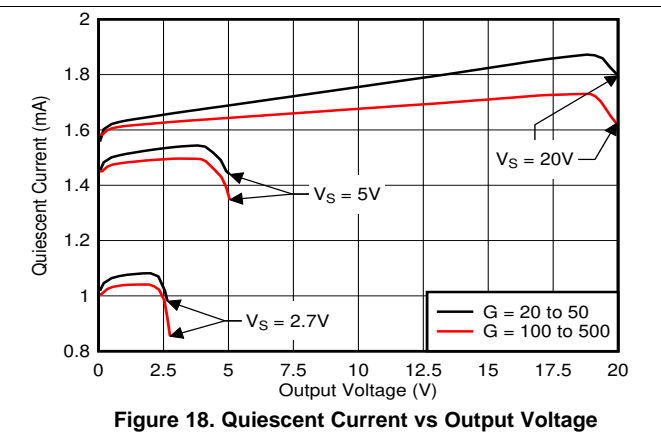
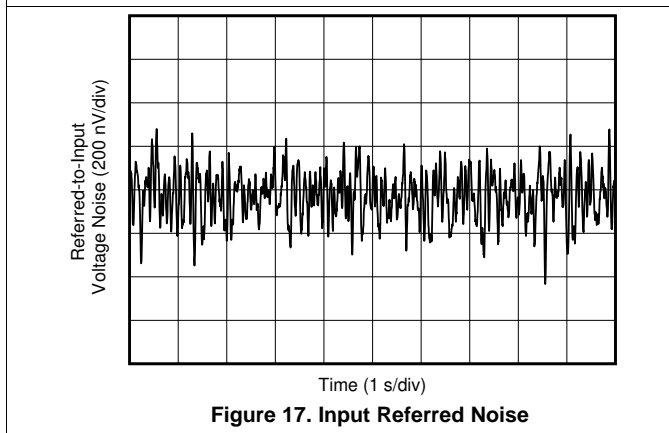
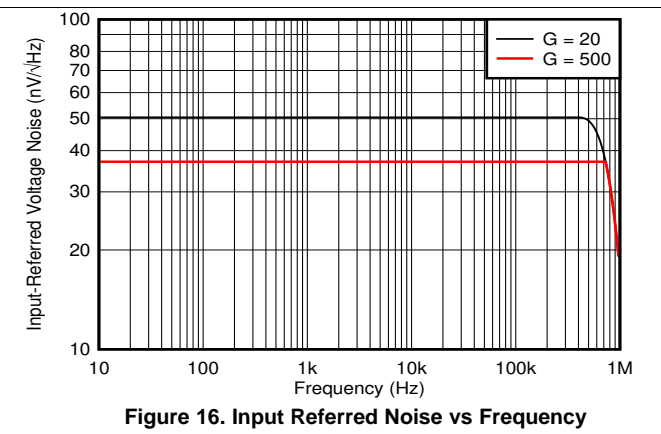
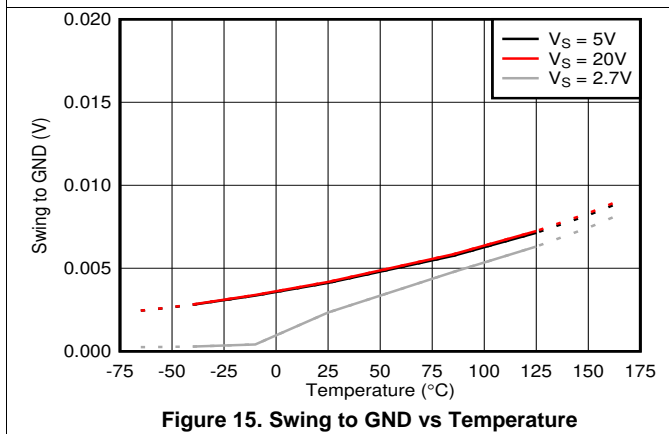
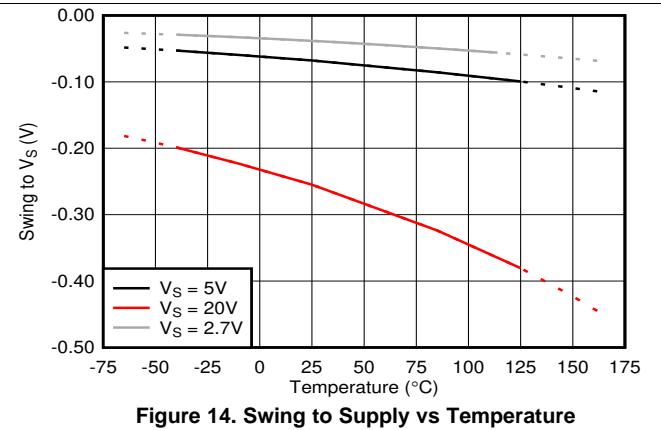
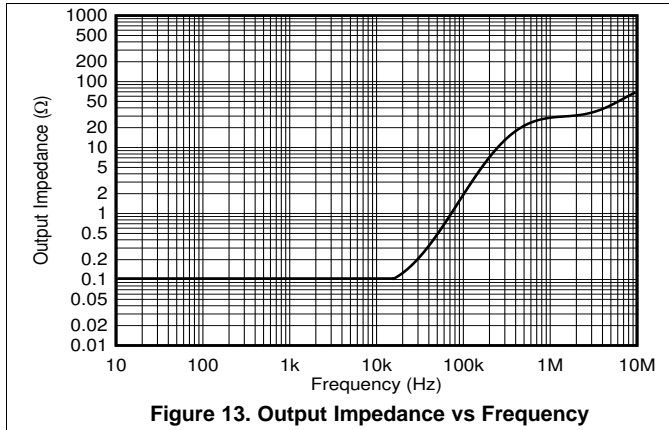
Typical Characteristics (continued)

All specifications at $T_A = 25^\circ\text{C}$, $V_S = 5\text{ V}$, $V_{\text{SENSE}} = V_{\text{IN}+} - V_{\text{IN}-} = 0.5\text{ V} / \text{Gain}$, $V_{\text{CM}} = V_{\text{IN}-} = 48\text{ V}$, unless otherwise noted.



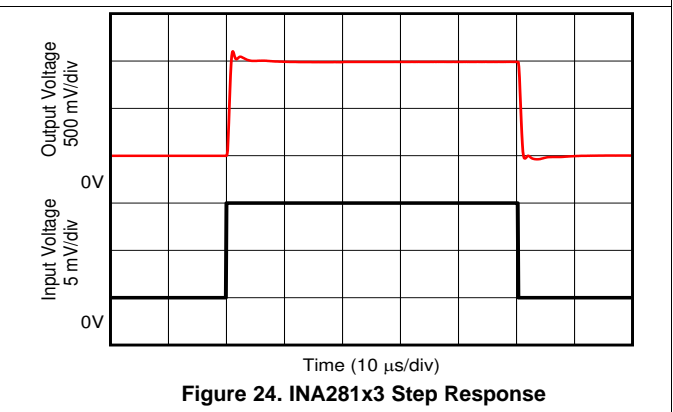
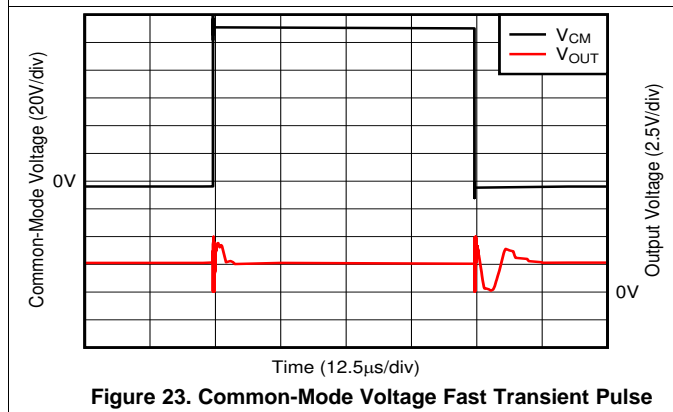
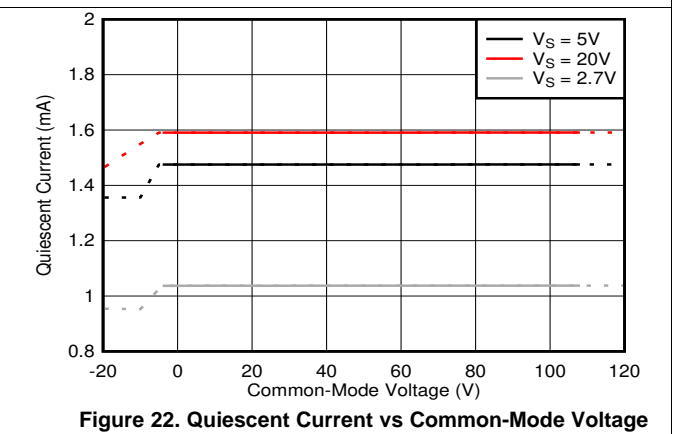
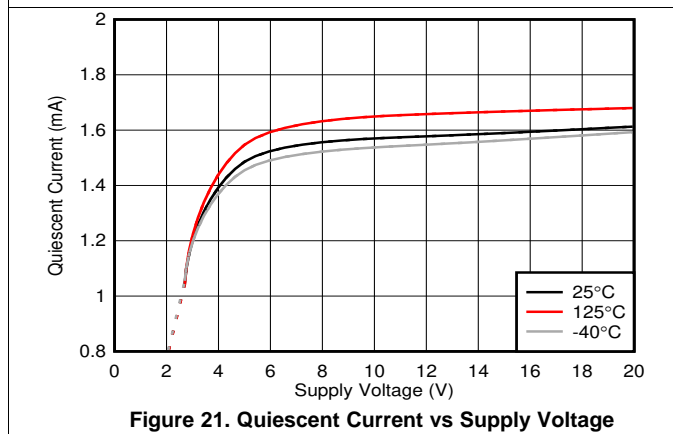
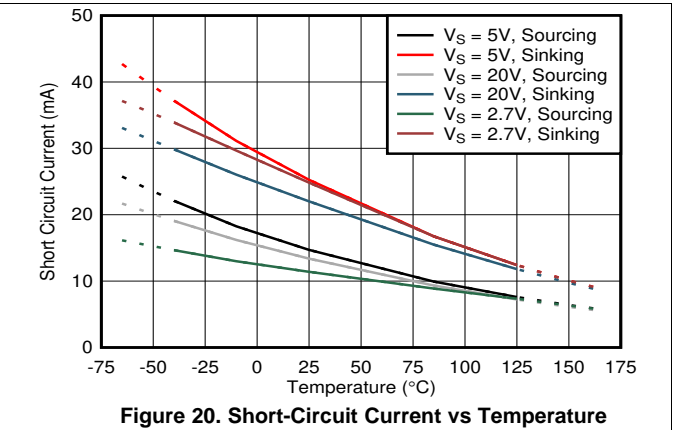
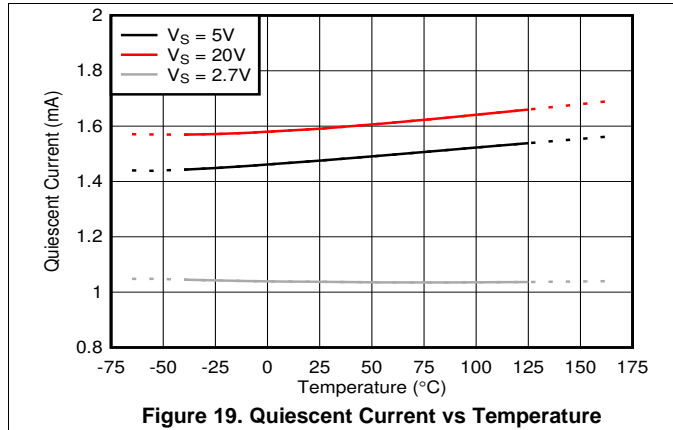
Typical Characteristics (continued)

All specifications at $T_A = 25\text{ }^\circ\text{C}$, $V_S = 5\text{ V}$, $V_{SENSE} = V_{IN+} - V_{IN-} = 0.5\text{ V / Gain}$, $V_{CM} = V_{IN-} = 48\text{ V}$, unless otherwise noted.



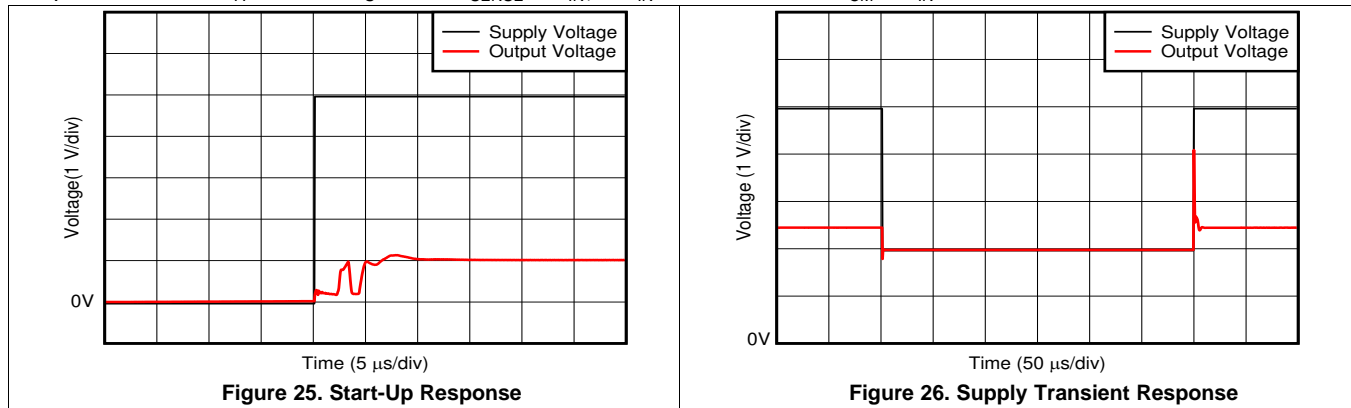
Typical Characteristics (continued)

All specifications at $T_A = 25^\circ\text{C}$, $V_S = 5\text{ V}$, $V_{\text{SENSE}} = V_{\text{IN}+} - V_{\text{IN}-} = 0.5\text{ V}$ / Gain, $V_{\text{CM}} = V_{\text{IN}-} = 48\text{ V}$, unless otherwise noted.



Typical Characteristics (continued)

All specifications at $T_A = 25\text{ }^\circ\text{C}$, $V_S = 5\text{ V}$, $V_{\text{SENSE}} = V_{\text{IN}+} - V_{\text{IN}-} = 0.5\text{ V} / \text{Gain}$, $V_{\text{CM}} = V_{\text{IN}-} = 48\text{ V}$, unless otherwise noted.

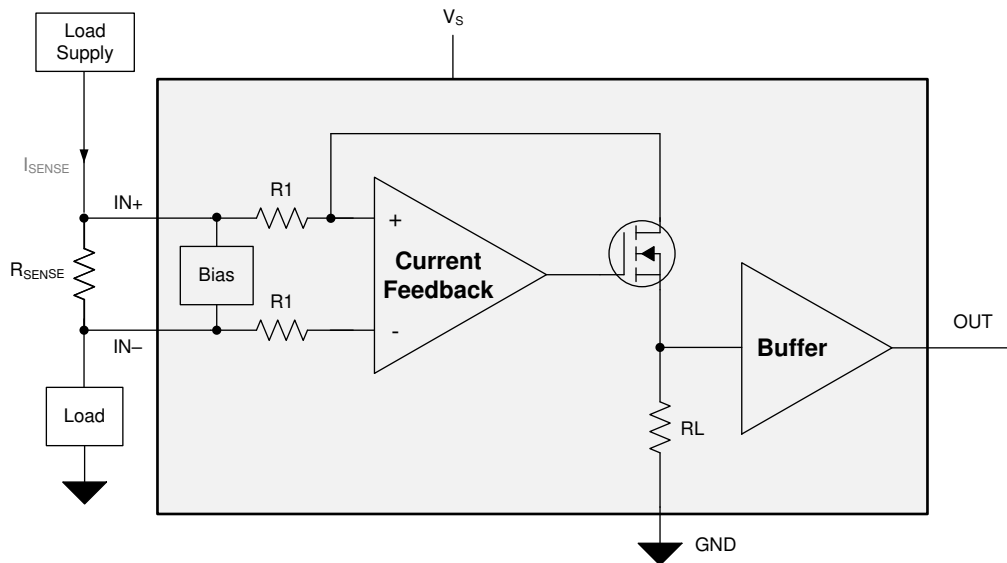


7 Detailed Description

7.1 Overview

The INA281 is a high- or low-side current-sense amplifier that offers a wide common-mode range, precision zero-drift topology, excellent common-mode rejection ratio (CMRR), high bandwidth, and fast slew rate. Different gain versions are available to optimize the output dynamic range based on the application. The INA281 is designed using a transconductance architecture with a current-feedback amplifier that enables low bias currents of 20 μA with a common-mode voltage of 110 V.

7.2 Functional Block Diagram



7.3 Feature Description

7.3.1 Amplifier Input Common-Mode Signal

The INA281 supports large input common-mode voltages from -4 V to $+110\text{ V}$. Because of the internal topology, the common-mode range is not restricted by the power-supply voltage (V_S). This allows for the INA281 to be used for both low- and high-side current-sensing applications.

7.3.1.1 Input-Signal Bandwidth

The INA281 -3-dB bandwidth is gain-dependent, with several gain options of 20 V/V, 50 V/V, 100 V/V, 200 V/V, and 500 V/V. The unique multistage design enables the amplifier to achieve high bandwidth at all gains. This high bandwidth provides the throughput and fast response that is required for the rapid detection and processing of overcurrent events.

The bandwidth of the device also depends on the applied V_{SENSE} voltage. [Figure 27](#) shows the bandwidth performance profile of the device over frequency as output voltage increases for each gain variation. As shown in [Figure 27](#), the device exhibits the highest bandwidth with higher V_{SENSE} voltages, and the bandwidth is higher with lower device gain options. Individual requirements determine the acceptable limits of error for high-frequency, current-sensing applications. Testing and evaluation in the end application or circuit is required to determine the acceptance criteria and validate whether or not the performance levels meet the system specifications.

Feature Description (continued)

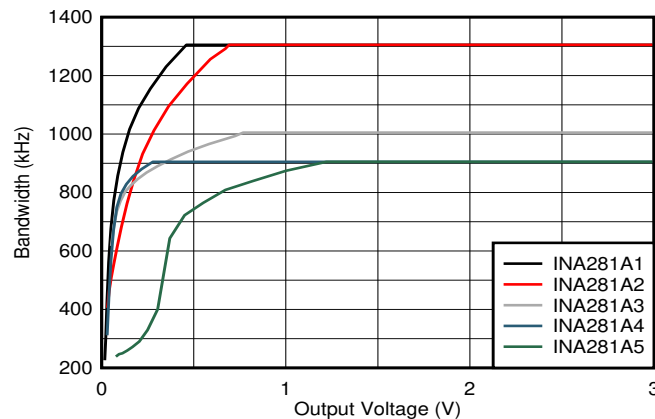


Figure 27. Bandwidth vs Output Voltage

7.3.1.2 Low Input Bias Current

The INA281 inputs draw a 20- μ A (typical) bias current at a common-mode voltage as high as 110 V, which enables precision current sensing on applications that require lower current leakage.

7.3.1.3 Low V_{SENSE} Operation

The INA281 operates with high performance across the entire valid V_{SENSE} range. The zero-drift input architecture of the INA281 provides the low offset voltage and low offset drift needed to measure low V_{SENSE} levels accurately across the wide operating temperature of $-40\text{ }^{\circ}\text{C}$ to $+125\text{ }^{\circ}\text{C}$. Low V_{SENSE} operation is particularly beneficial when using low ohmic shunts for low current measurements, as power losses across the shunt are significantly reduced.

7.3.1.4 Wide Fixed Gain Output

The INA281 gain error is $< 0.5\%$ at room temperature, with a maximum drift of 20 ppm/ $^{\circ}\text{C}$ over the full temperature range of $-40\text{ }^{\circ}\text{C}$ to $+125\text{ }^{\circ}\text{C}$. The INA281 is available in multiple gain options of 20 V/V, 50 V/V, 100 V/V, 200 V/V, and 500 V/V, which the system designer should select based on their desired signal-to-noise ratio and other system requirements.

The INA281 closed-loop gain is set by a precision, low-drift internal resistor network. The ratio of these resistors are excellently matched, while the absolute values may vary significantly. TI does not recommend adding additional resistance around the INA281 to change the effective gain because of this variation, however. The typical values of the gain resistors are described in [Table 1](#).

Table 1. Fixed Gain Resistor

| GAIN | R1 | RL |
|-----------|---------------|-----------------|
| 20 (V/V) | 25 k Ω | 500 k Ω |
| 50 (V/V) | 10 k Ω | 500 k Ω |
| 100 (V/V) | 10 k Ω | 1000 k Ω |
| 200 (V/V) | 5 k Ω | 1000 k Ω |
| 500 (V/V) | 2 k Ω | 1000 k Ω |

7.3.1.5 Wide Supply Range

The INA281 operates with a wide supply range from 2.7 V to 20 V. The output stage supports a wide output range, while the INA281x1 (gain of 20 V/V) at a supply voltage of 20 V allows a maximum acceptable differential input of 1 V. When paired with the small input offset voltage of the INA281, systems with very wide dynamic ranges of current measurement can be supported.

7.4 Device Functional Modes

7.4.1 Unidirectional Operation

The INA281 measures the differential voltage developed by current flowing through a resistor that is commonly referred to as a current-sensing resistor or a current-shunt resistor. The INA281 operates in unidirectional mode only, meaning it only senses current sourced from a power supply to a system load as shown in [Figure 28](#).

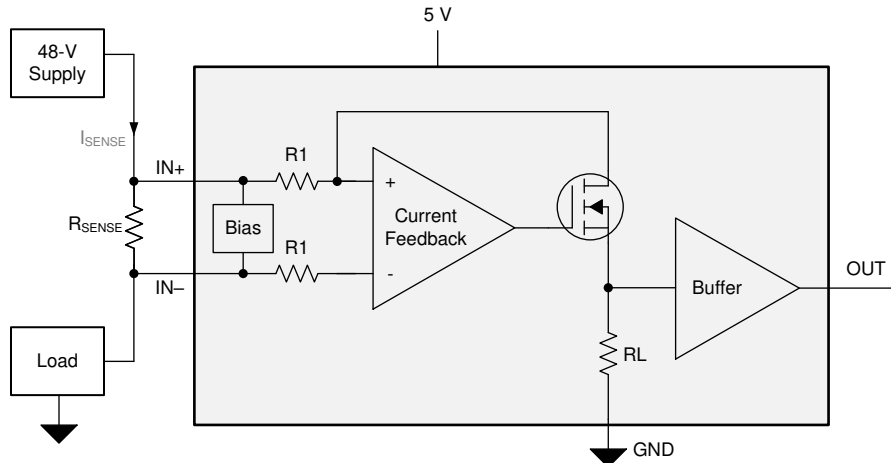


Figure 28. Unidirectional Application

The linear range of the output stage is limited to how close the output voltage can approach ground under zero-input conditions. The zero current output voltage of the INA281 is very small, with a maximum of GND + 20 mV. Make sure to apply a differential input voltage of (20 mV / Gain) or greater to keep the INA281 output in the linear region of operation.

7.4.2 High Signal Throughput

With a bandwidth of 1.3 MHz at a gain of 20 V/V and a slew rate of 2.5 V/ μ s, the INA281 is specifically designed for detecting and protecting applications from fast inrush currents. As shown in [Table 2](#), the INA281 responds in less than 2 μ s for a system measuring a 75-A threshold on a 2-m Ω shunt.

Table 2. Response Time

| PARAMETER | | EQUATION | INA281 AT $V_S = 5\text{ V}$ |
|-----------------|-------------------------------------|--|---------------------------------|
| G | Gain | | 20 V/V |
| I_{MAX} | Maximum current | | 100 A |
| $I_{Threshold}$ | Threshold current | | 75 A |
| R_{SENSE} | Current sense resistor value | | 2 m Ω |
| V_{OUT_MAX} | Output voltage at maximum current | $V_{OUT_MAX} = I_{MAX} \times R_{SENSE} \times G$ | 4 V |
| V_{OUT_THR} | Output voltage at threshold current | $V_{OUT_THR} = I_{THR} \times R_{SENSE} \times G$ | 3 V |
| SR | Slew rate | | 2.5 V/ μ s |
| | Output response time | $T_{response} = V_{OUT_THR} / SR$ | < 2 μ s |

8 Application and Implementation

NOTE

Information in the following applications sections is not part of the TI component specification, and TI does not warrant its accuracy or completeness. TI's customers are responsible for determining suitability of components for their purposes. Customers should validate and test their design implementation to confirm system functionality.

8.1 Application Information

The INA281 amplifies the voltage developed across a current-sensing resistor as current flows through the resistor to the load. The wide input common-mode voltage range and high common-mode rejection of the INA281 make it usable over a wide range of voltage rails while still maintaining an accurate current measurement.

8.1.1 R_{SENSE} and Device Gain Selection

The accuracy of any current-sense amplifier is maximized by choosing the current-sense resistor to be as large as possible. A large sense resistor maximizes the differential input signal for a given amount of current flow and reduces the error contribution of the offset voltage. However, there are practical limits as to how large the current-sense resistor can be in a given application because of the resistor size and maximum allowable power dissipation. [Equation 1](#) gives the maximum value for the current-sense resistor for a given power dissipation budget:

$$R_{SENSE} < \frac{PD_{MAX}}{I_{MAX}^2}$$

where:

- PD_{MAX} is the maximum allowable power dissipation in R_{SENSE} .
 - I_{MAX} is the maximum current that will flow through R_{SENSE} .
- (1)

An additional limitation on the size of the current-sense resistor and device gain is due to the power-supply voltage, V_S , and device swing-to-rail limitations. To make sure that the current-sense signal is properly passed to the output, both positive and negative output swing limitations must be examined. [Equation 2](#) provides the maximum values of R_{SENSE} and GAIN to keep the device from exceeding the positive swing limitation.

$$I_{MAX} \times R_{SENSE} \times GAIN < V_{SP}$$

where:

- I_{MAX} is the maximum current that will flow through R_{SENSE} .
 - GAIN is the gain of the current-sense amplifier.
 - V_{SP} is the positive output swing as specified in the data sheet.
- (2)

To avoid positive output swing limitations when selecting the value of R_{SENSE} , there is always a trade-off between the value of the sense resistor and the gain of the device under consideration. If the sense resistor selected for the maximum power dissipation is too large, then it is possible to select a lower-gain device to avoid positive swing limitations.

The negative swing limitation places a limit on how small the sense resistor value can be for a given application. [Equation 3](#) provides the limit on the minimum value of the sense resistor.

$$I_{MIN} \times R_{SENSE} \times GAIN > V_{SN}$$

where:

- I_{MIN} is the minimum current that will flow through R_{SENSE} .
 - GAIN is the gain of the current-sense amplifier.
 - V_{SN} is the negative output swing of the device.
- (3)

[Table 3](#) shows an example of the different results obtained from using five different gain versions of the INA281. From the table data, the highest gain device allows a smaller current-shunt resistor and decreased power dissipation in the element.

Application Information (continued)

Table 3. R_{SENSE} Selection and Power Dissipation⁽¹⁾

| PARAMETER | | EQUATION | RESULTS AT V _S = 5 V | | | | |
|--------------------|--|---|---------------------------------|----------------|----------------|----------------|----------------|
| | | | A1, B1 DEVICES | A2, B2 DEVICES | A3, B3 DEVICES | A4, B4 DEVICES | A5, B5 DEVICES |
| G | Gain | | 20 V/V | 50 V/V | 100 V/V | 200 V/V | 500 V/V |
| V _{DIFF} | Ideal differential input voltage | V _{DIFF} = V _{OUT} / G | 250 mV | 100 mV | 50 mV | 25 mV | 10 mV |
| R _{SENSE} | Current sense resistor value | R _{SENSE} = V _{DIFF} / I _{MAX} | 25 mΩ | 10 mΩ | 5 mΩ | 2.5 mΩ | 1 mΩ |
| P _{SENSE} | Current-sense resistor power dissipation | R _{SENSE} × I _{MAX} ² | 2.5 W | 1 W | 0.5W | 0.25 W | 0.1 W |

(1) Design example with 10-A full-scale current with maximum output voltage set to 5 V.

8.1.2 Input Filtering

NOTE

Input filters are not required for accurate measurements using the INA281, and use of filters in this location is not recommended. If filter components are used on the input of the amplifier, follow the guidelines in this section to minimize the effects on performance.

Based strictly on user design requirements, external filtering of the current signal may be desired. The initial location that can be considered for the filter is at the output of the current-sense amplifier. Although placing the filter at the output satisfies the filtering requirements, this location changes the low output impedance measured by any circuitry connected to the output voltage pin. The other location for filter placement is at the current-sense amplifier input pins. This location also satisfies the filtering requirement, but the components must be carefully selected to minimally impact device performance. Figure 29 shows a filter placed at the input pins.

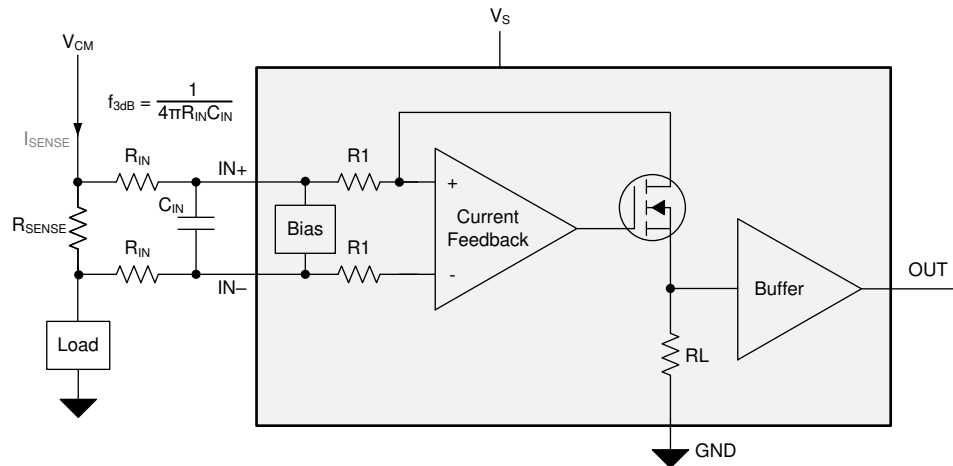


Figure 29. Filter at Input Pins

External series resistance provides a source of additional measurement error, so keep the value of these series resistors to 10 Ω or less to reduce loss of accuracy. The internal bias network shown in Figure 29 creates a mismatch in input bias currents (see Figure 7, Figure 8, and Figure 9) when a differential voltage is applied between the input pins. If additional external series filter resistors are added to the circuit, a mismatch is created in the voltage drop across the filter resistors. This voltage is a differential error voltage in the shunt resistor voltage. In addition to the absolute resistor value, mismatch resulting from resistor tolerance can significantly impact the error because this value is calculated based on the actual measured resistance.

The measurement error expected from the additional external filter resistors can be calculated using Equation 4, and the gain error factor is calculated using Equation 5.

$$\text{Gain Error (\%)} = 100 - (100 \times \text{Gain Error Factor}) \tag{4}$$

The gain error factor, shown in [Equation 4](#), can be calculated to determine the gain error introduced by the additional external series resistance. [Equation 4](#) calculates the deviation of the shunt voltage, resulting from the attenuation and imbalance created by the added external filter resistance. [Table 4](#) provides the gain error factor and gain error for several resistor values.

$$\text{Gain Error Factor} = \frac{R_B \times R_1}{(R_B \times R_1) + (R_B \times R_{IN}) + (2 \times R_{IN} \times R_1)}$$

Where:

- R_{IN} is the external filter resistance value.
- R_1 is the INA281 input resistance value specified in [Table 1](#).
- R_B is the internal bias resistance, which is $6600 \Omega \pm 20\%$. (5)

Table 4. Example Gain Error Factor and Gain Error for 10- Ω External Filter Input Resistors

| DEVICE (GAIN) | GAIN ERROR FACTOR | GAIN ERROR (%) |
|------------------|-------------------|----------------|
| A1 devices (20) | 0.99658 | -0.34185 |
| A2 devices (50) | 0.99598 | -0.40141 |
| A3 devices (100) | 0.99598 | -0.40141 |
| A4 devices (200) | 0.99499 | -0.50051 |
| A5 devices (500) | 0.99203 | -0.79663 |

8.2 Typical Application

The INA281 is a unidirectional, current-sense amplifier capable of measuring currents through a resistive shunt with shunt common-mode voltages from -4 V to $+110 \text{ V}$.

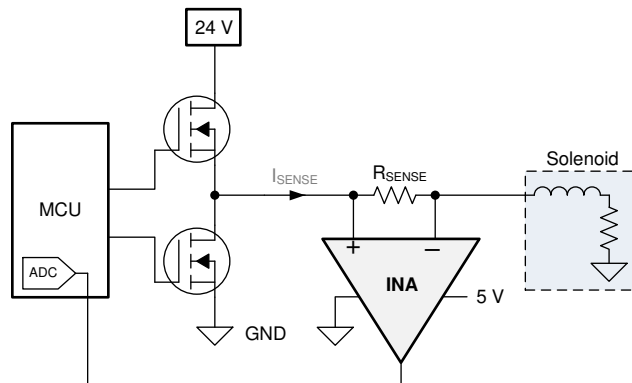


Figure 30. Current Sensing in a Solenoid Application

8.2.1 Design Requirements

In this example application, the common-mode voltage ranges from 0 V to 24 V . The maximum sense current is 1.5 A , and a 5-V supply is available for the INA281. Following the design guidelines from [R_{SENSE} and Device Gain Selection](#), a R_{SENSE} of $50 \text{ m}\Omega$ and a gain of 50 V/V are selected to provide good output dynamic range. [Table 5](#) lists the design setup for this application.

Table 5. Design Parameters

| DESIGN PARAMETERS | EXAMPLE VALUE |
|---------------------------|---------------------------------|
| Power supply voltage | 5 V |
| Common mode voltage range | 0 V to 24 V |
| Maximum sense current | 1.5 A |
| R_{SENSE} resistor | $50 \text{ m}\Omega$ |
| Gain option | 50 V/V |

8.2.2 Detailed Design Procedure

The INA281 is designed to measure current in a typical solenoid application. The INA281 measures current across the 50-mΩ shunt that is placed at the output of the half-bridge. The INA281 measures the differential voltage across the shunt resistor, and the signal is internally amplified with a gain of 50 V/V. The output of the INA281 is connected to the analog-to-digital converter (ADC) of an MCU to digitize the current measurements.

Solenoid loads are highly inductive and are often prone to failure. Solenoids are often used for position control, precise fluid control, and fluid regulation. Measuring real-time current on the solenoid continuously can indicate premature failure of the solenoid which can lead to a faulty control loop in the system. Measuring high-side current also indicates if there are any ground faults on the solenoid or the FETs that can be damaged in an application. The INA281, with high bandwidth and slew rate, can be used to detect fast overcurrent conditions to prevent the solenoid damage from short-to-ground faults.

8.2.2.1 Overload Recovery With Negative V_{SENSE}

The INA281 is a unidirectional current-sense amplifier that is meant to operate with a positive differential input voltage (V_{SENSE}). If negative V_{SENSE} is applied, the device is placed in an overload condition and requires time to recover once V_{SENSE} returns positive. The required overload recovery time increases with more negative V_{SENSE} .

8.2.3 Application Curve

Figure 31 shows the output response of a solenoid.

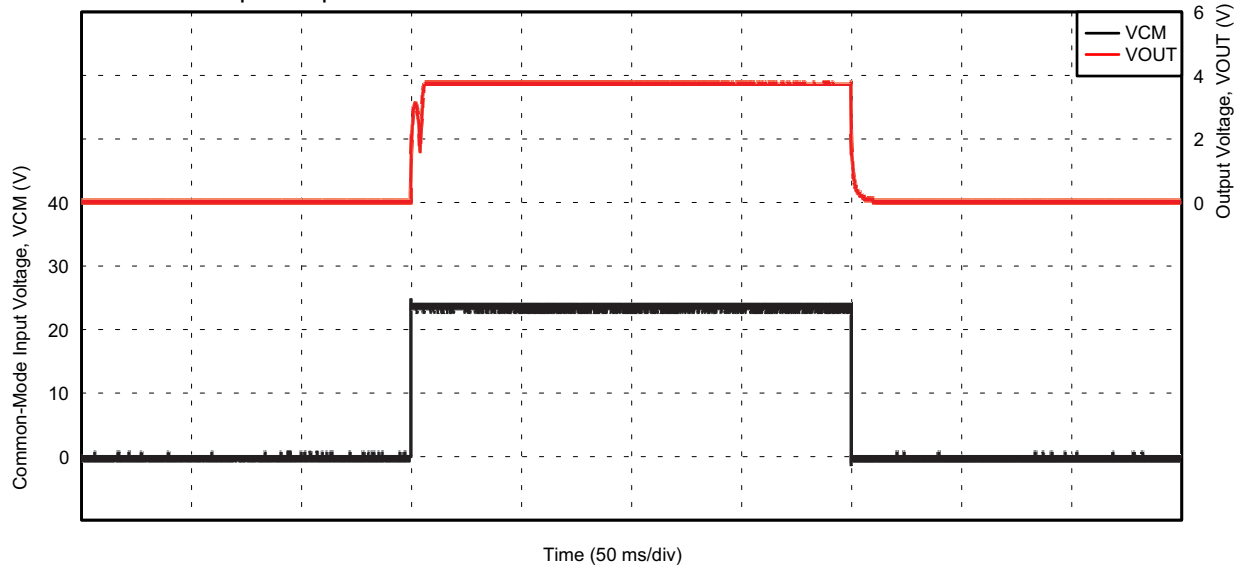


Figure 31. Solenoid Control Current Response

9 Power Supply Recommendations

The INA281 power supply can be 5 V, whereas the input common-mode voltage can vary between -4 V to 110 V. The output voltage range of the OUT pin, however, is limited by the voltage on the power-supply pin.

10 Layout

10.1 Layout Guidelines

Attention to good layout practices is always recommended.

- Connect the input pins to the sensing resistor using a Kelvin or 4-wire connection. This connection technique makes sure that only the current-sensing resistor impedance is detected between the input pins. Poor routing of the current-sensing resistor commonly results in additional resistance present between the input pins. Given the very low ohmic value of the current resistor, any additional high-current carrying impedance can cause significant measurement errors.
- Place the power-supply bypass capacitor as close as possible to the device power supply and ground pins. The recommended value of this bypass capacitor is 0.1 μF . Additional decoupling capacitance can be added to compensate for noisy or high-impedance power supplies.

10.2 Layout Example

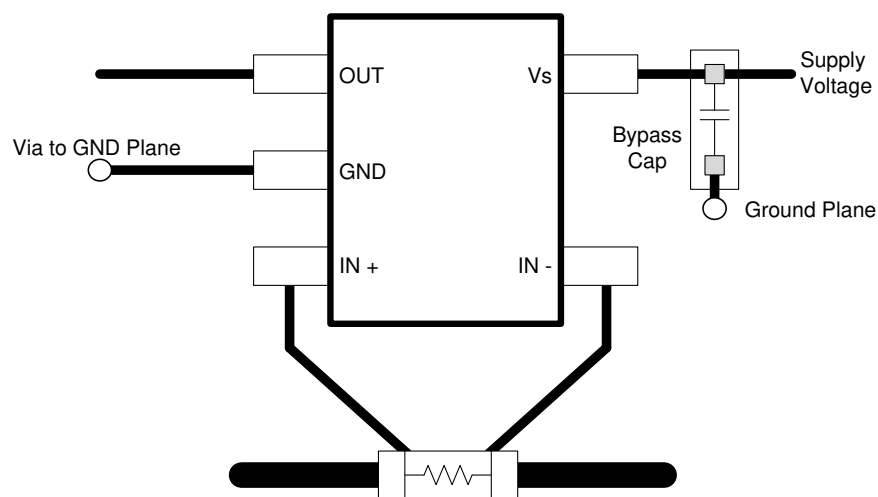


Figure 32. INA281A Recommended Layout

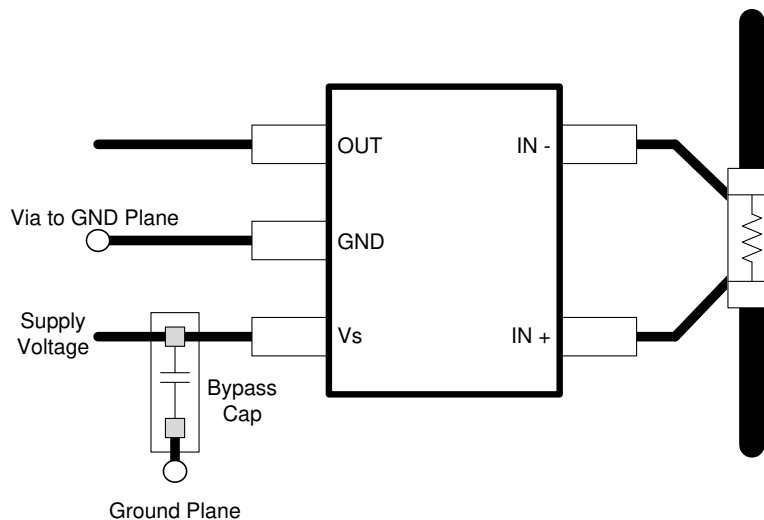


Figure 33. INA281B Recommended Layout

11 Device and Documentation Support

11.1 Documentation Support

11.1.1 Related Documentation

For related documentation see the following: Texas Instruments, [INA281EVM user's guide](#)

11.2 Receiving Notification of Documentation Updates

To receive notification of documentation updates, navigate to the device product folder on ti.com. In the upper right corner, click on *Alert me* to register and receive a weekly digest of any product information that has changed. For change details, review the revision history included in any revised document.

11.3 Support Resources

TI E2E™ [support forums](#) are an engineer's go-to source for fast, verified answers and design help — straight from the experts. Search existing answers or ask your own question to get the quick design help you need.

Linked content is provided "AS IS" by the respective contributors. They do not constitute TI specifications and do not necessarily reflect TI's views; see TI's [Terms of Use](#).

11.4 Trademarks

E2E is a trademark of Texas Instruments.

All other trademarks are the property of their respective owners.

11.5 Electrostatic Discharge Caution



This integrated circuit can be damaged by ESD. Texas Instruments recommends that all integrated circuits be handled with appropriate precautions. Failure to observe proper handling and installation procedures can cause damage.

ESD damage can range from subtle performance degradation to complete device failure. Precision integrated circuits may be more susceptible to damage because very small parametric changes could cause the device not to meet its published specifications.

11.6 Glossary

[SLYZ022](#) — *TI Glossary*.

This glossary lists and explains terms, acronyms, and definitions.

12 Mechanical, Packaging, and Orderable Information

The following pages include mechanical, packaging, and orderable information. This information is the most current data available for the designated devices. This data is subject to change without notice and revision of this document. For browser-based versions of this data sheet, refer to the left-hand navigation.

PACKAGING INFORMATION

| Orderable Device | Status (1) | Package Type | Package Drawing | Pins | Package Qty | Eco Plan (2) | Lead finish/ Ball material (6) | MSL Peak Temp (3) | Op Temp (°C) | Device Marking (4/5) | Samples |
|------------------|---------------|--------------|-----------------|------|-------------|-----------------|--------------------------------------|----------------------|--------------|-------------------------|-------------------------|
| INA281A1IDBVR | ACTIVE | SOT-23 | DBV | 5 | 3000 | RoHS & Green | NIPDAU | Level-1-260C-UNLIM | -40 to 125 | 2B3C | Samples |
| INA281A1IDBVT | ACTIVE | SOT-23 | DBV | 5 | 250 | RoHS & Green | NIPDAU | Level-1-260C-UNLIM | -40 to 125 | 2B3C | Samples |
| INA281A2IDBVR | ACTIVE | SOT-23 | DBV | 5 | 3000 | RoHS & Green | NIPDAU | Level-1-260C-UNLIM | -40 to 125 | 2B4C | Samples |
| INA281A2IDBVT | ACTIVE | SOT-23 | DBV | 5 | 250 | RoHS & Green | NIPDAU | Level-1-260C-UNLIM | -40 to 125 | 2B4C | Samples |
| INA281A3IDBVR | ACTIVE | SOT-23 | DBV | 5 | 3000 | RoHS & Green | NIPDAU | Level-1-260C-UNLIM | -40 to 125 | 2B5C | Samples |
| INA281A3IDBVT | ACTIVE | SOT-23 | DBV | 5 | 250 | RoHS & Green | NIPDAU | Level-1-260C-UNLIM | -40 to 125 | 2B5C | Samples |
| INA281A4IDBVR | ACTIVE | SOT-23 | DBV | 5 | 3000 | RoHS & Green | NIPDAU | Level-1-260C-UNLIM | -40 to 125 | 2B6C | Samples |
| INA281A4IDBVT | ACTIVE | SOT-23 | DBV | 5 | 250 | RoHS & Green | NIPDAU | Level-1-260C-UNLIM | -40 to 125 | 2B6C | Samples |
| INA281A5IDBVR | ACTIVE | SOT-23 | DBV | 5 | 3000 | RoHS & Green | NIPDAU | Level-1-260C-UNLIM | -40 to 125 | 2B7C | Samples |
| INA281A5IDBVT | ACTIVE | SOT-23 | DBV | 5 | 250 | RoHS & Green | NIPDAU | Level-1-260C-UNLIM | -40 to 125 | 2B7C | Samples |
| INA281B1IDBVR | ACTIVE | SOT-23 | DBV | 5 | 3000 | RoHS & Green | NIPDAU | Level-1-260C-UNLIM | -40 to 125 | 2B8C | Samples |
| INA281B1IDBVT | ACTIVE | SOT-23 | DBV | 5 | 250 | RoHS & Green | NIPDAU | Level-1-260C-UNLIM | -40 to 125 | 2B8C | Samples |
| INA281B2IDBVR | ACTIVE | SOT-23 | DBV | 5 | 3000 | RoHS & Green | NIPDAU | Level-1-260C-UNLIM | -40 to 125 | 2B9C | Samples |
| INA281B2IDBVT | ACTIVE | SOT-23 | DBV | 5 | 250 | RoHS & Green | NIPDAU | Level-1-260C-UNLIM | -40 to 125 | 2B9C | Samples |
| INA281B3IDBVR | ACTIVE | SOT-23 | DBV | 5 | 3000 | RoHS & Green | NIPDAU | Level-1-260C-UNLIM | -40 to 125 | 2BAC | Samples |
| INA281B3IDBVT | ACTIVE | SOT-23 | DBV | 5 | 250 | RoHS & Green | NIPDAU | Level-1-260C-UNLIM | -40 to 125 | 2BAC | Samples |
| INA281B4IDBVR | ACTIVE | SOT-23 | DBV | 5 | 3000 | RoHS & Green | NIPDAU | Level-1-260C-UNLIM | -40 to 125 | 2BBC | Samples |
| INA281B4IDBVT | ACTIVE | SOT-23 | DBV | 5 | 250 | RoHS & Green | NIPDAU | Level-1-260C-UNLIM | -40 to 125 | 2BBC | Samples |
| INA281B5IDBVR | ACTIVE | SOT-23 | DBV | 5 | 3000 | RoHS & Green | NIPDAU | Level-1-260C-UNLIM | -40 to 125 | 2BCC | Samples |
| INA281B5IDBVT | ACTIVE | SOT-23 | DBV | 5 | 250 | RoHS & Green | NIPDAU | Level-1-260C-UNLIM | -40 to 125 | 2BCC | Samples |

(1) The marketing status values are defined as follows:

ACTIVE: Product device recommended for new designs.

LIFEBUY: TI has announced that the device will be discontinued, and a lifetime-buy period is in effect.

NRND: Not recommended for new designs. Device is in production to support existing customers, but TI does not recommend using this part in a new design.

PREVIEW: Device has been announced but is not in production. Samples may or may not be available.

OBSOLETE: TI has discontinued the production of the device.

(2) **RoHS:** TI defines "RoHS" to mean semiconductor products that are compliant with the current EU RoHS requirements for all 10 RoHS substances, including the requirement that RoHS substance do not exceed 0.1% by weight in homogeneous materials. Where designed to be soldered at high temperatures, "RoHS" products are suitable for use in specified lead-free processes. TI may reference these types of products as "Pb-Free".

RoHS Exempt: TI defines "RoHS Exempt" to mean products that contain lead but are compliant with EU RoHS pursuant to a specific EU RoHS exemption.

Green: TI defines "Green" to mean the content of Chlorine (Cl) and Bromine (Br) based flame retardants meet JS709B low halogen requirements of ≤ 1000 ppm threshold. Antimony trioxide based flame retardants must also meet the ≤ 1000 ppm threshold requirement.

(3) MSL, Peak Temp. - The Moisture Sensitivity Level rating according to the JEDEC industry standard classifications, and peak solder temperature.

(4) There may be additional marking, which relates to the logo, the lot trace code information, or the environmental category on the device.

(5) Multiple Device Markings will be inside parentheses. Only one Device Marking contained in parentheses and separated by a "~" will appear on a device. If a line is indented then it is a continuation of the previous line and the two combined represent the entire Device Marking for that device.

(6) Lead finish/Ball material - Orderable Devices may have multiple material finish options. Finish options are separated by a vertical ruled line. Lead finish/Ball material values may wrap to two lines if the finish value exceeds the maximum column width.

Important Information and Disclaimer: The information provided on this page represents TI's knowledge and belief as of the date that it is provided. TI bases its knowledge and belief on information provided by third parties, and makes no representation or warranty as to the accuracy of such information. Efforts are underway to better integrate information from third parties. TI has taken and continues to take reasonable steps to provide representative and accurate information but may not have conducted destructive testing or chemical analysis on incoming materials and chemicals. TI and TI suppliers consider certain information to be proprietary, and thus CAS numbers and other limited information may not be available for release.

In no event shall TI's liability arising out of such information exceed the total purchase price of the TI part(s) at issue in this document sold by TI to Customer on an annual basis.

OTHER QUALIFIED VERSIONS OF INA281 :

- Automotive: [INA281-Q1](#)

NOTE: Qualified Version Definitions:

- Automotive - Q100 devices qualified for high-reliability automotive applications targeting zero defects

TAPE AND REEL INFORMATION

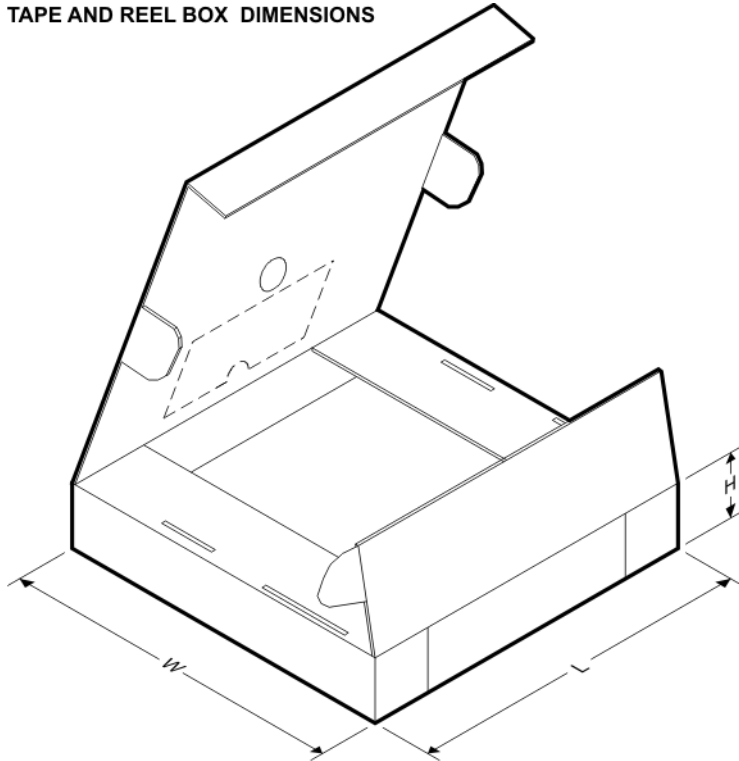
QUADRANT ASSIGNMENTS FOR PIN 1 ORIENTATION IN TAPE


*All dimensions are nominal

| Device | Package Type | Package Drawing | Pins | SPQ | Reel Diameter (mm) | Reel Width W1 (mm) | A0 (mm) | B0 (mm) | K0 (mm) | P1 (mm) | W (mm) | Pin1 Quadrant |
|---------------|--------------|-----------------|------|------|--------------------|--------------------|---------|---------|---------|---------|--------|---------------|
| INA281A1IDBVR | SOT-23 | DBV | 5 | 3000 | 180.0 | 8.4 | 3.23 | 3.17 | 1.37 | 4.0 | 8.0 | Q3 |
| INA281A1IDBVT | SOT-23 | DBV | 5 | 250 | 180.0 | 8.4 | 3.23 | 3.17 | 1.37 | 4.0 | 8.0 | Q3 |
| INA281A2IDBVR | SOT-23 | DBV | 5 | 3000 | 180.0 | 8.4 | 3.23 | 3.17 | 1.37 | 4.0 | 8.0 | Q3 |
| INA281A2IDBVT | SOT-23 | DBV | 5 | 250 | 180.0 | 8.4 | 3.23 | 3.17 | 1.37 | 4.0 | 8.0 | Q3 |
| INA281A3IDBVR | SOT-23 | DBV | 5 | 3000 | 180.0 | 8.4 | 3.23 | 3.17 | 1.37 | 4.0 | 8.0 | Q3 |
| INA281A3IDBVT | SOT-23 | DBV | 5 | 250 | 180.0 | 8.4 | 3.23 | 3.17 | 1.37 | 4.0 | 8.0 | Q3 |
| INA281A4IDBVR | SOT-23 | DBV | 5 | 3000 | 180.0 | 8.4 | 3.23 | 3.17 | 1.37 | 4.0 | 8.0 | Q3 |
| INA281A4IDBVT | SOT-23 | DBV | 5 | 250 | 180.0 | 8.4 | 3.23 | 3.17 | 1.37 | 4.0 | 8.0 | Q3 |
| INA281A5IDBVR | SOT-23 | DBV | 5 | 3000 | 180.0 | 8.4 | 3.23 | 3.17 | 1.37 | 4.0 | 8.0 | Q3 |
| INA281A5IDBVT | SOT-23 | DBV | 5 | 250 | 180.0 | 8.4 | 3.23 | 3.17 | 1.37 | 4.0 | 8.0 | Q3 |
| INA281B1IDBVR | SOT-23 | DBV | 5 | 3000 | 180.0 | 8.4 | 3.23 | 3.17 | 1.37 | 4.0 | 8.0 | Q3 |
| INA281B1IDBVT | SOT-23 | DBV | 5 | 250 | 180.0 | 8.4 | 3.23 | 3.17 | 1.37 | 4.0 | 8.0 | Q3 |
| INA281B2IDBVR | SOT-23 | DBV | 5 | 3000 | 180.0 | 8.4 | 3.23 | 3.17 | 1.37 | 4.0 | 8.0 | Q3 |
| INA281B2IDBVT | SOT-23 | DBV | 5 | 250 | 180.0 | 8.4 | 3.23 | 3.17 | 1.37 | 4.0 | 8.0 | Q3 |
| INA281B3IDBVR | SOT-23 | DBV | 5 | 3000 | 180.0 | 8.4 | 3.23 | 3.17 | 1.37 | 4.0 | 8.0 | Q3 |
| INA281B3IDBVT | SOT-23 | DBV | 5 | 250 | 180.0 | 8.4 | 3.23 | 3.17 | 1.37 | 4.0 | 8.0 | Q3 |
| INA281B4IDBVR | SOT-23 | DBV | 5 | 3000 | 180.0 | 8.4 | 3.23 | 3.17 | 1.37 | 4.0 | 8.0 | Q3 |
| INA281B4IDBVT | SOT-23 | DBV | 5 | 250 | 180.0 | 8.4 | 3.23 | 3.17 | 1.37 | 4.0 | 8.0 | Q3 |

| Device | Package Type | Package Drawing | Pins | SPQ | Reel Diameter (mm) | Reel Width W1 (mm) | A0 (mm) | B0 (mm) | K0 (mm) | P1 (mm) | W (mm) | Pin1 Quadrant |
|---------------|--------------|-----------------|------|------|--------------------|--------------------|---------|---------|---------|---------|--------|---------------|
| INA281B5IDBVR | SOT-23 | DBV | 5 | 3000 | 180.0 | 8.4 | 3.23 | 3.17 | 1.37 | 4.0 | 8.0 | Q3 |
| INA281B5IDBVT | SOT-23 | DBV | 5 | 250 | 180.0 | 8.4 | 3.23 | 3.17 | 1.37 | 4.0 | 8.0 | Q3 |

TAPE AND REEL BOX DIMENSIONS



*All dimensions are nominal

| Device | Package Type | Package Drawing | Pins | SPQ | Length (mm) | Width (mm) | Height (mm) |
|---------------|--------------|-----------------|------|------|-------------|------------|-------------|
| INA281A1IDBVR | SOT-23 | DBV | 5 | 3000 | 183.0 | 183.0 | 20.0 |
| INA281A1IDBVT | SOT-23 | DBV | 5 | 250 | 183.0 | 183.0 | 20.0 |
| INA281A2IDBVR | SOT-23 | DBV | 5 | 3000 | 183.0 | 183.0 | 20.0 |
| INA281A2IDBVT | SOT-23 | DBV | 5 | 250 | 183.0 | 183.0 | 20.0 |
| INA281A3IDBVR | SOT-23 | DBV | 5 | 3000 | 183.0 | 183.0 | 20.0 |
| INA281A3IDBVT | SOT-23 | DBV | 5 | 250 | 183.0 | 183.0 | 20.0 |
| INA281A4IDBVR | SOT-23 | DBV | 5 | 3000 | 183.0 | 183.0 | 20.0 |
| INA281A4IDBVT | SOT-23 | DBV | 5 | 250 | 183.0 | 183.0 | 20.0 |
| INA281A5IDBVR | SOT-23 | DBV | 5 | 3000 | 183.0 | 183.0 | 20.0 |
| INA281A5IDBVT | SOT-23 | DBV | 5 | 250 | 183.0 | 183.0 | 20.0 |
| INA281B1IDBVR | SOT-23 | DBV | 5 | 3000 | 183.0 | 183.0 | 20.0 |
| INA281B1IDBVT | SOT-23 | DBV | 5 | 250 | 183.0 | 183.0 | 20.0 |
| INA281B2IDBVR | SOT-23 | DBV | 5 | 3000 | 183.0 | 183.0 | 20.0 |
| INA281B2IDBVT | SOT-23 | DBV | 5 | 250 | 183.0 | 183.0 | 20.0 |
| INA281B3IDBVR | SOT-23 | DBV | 5 | 3000 | 183.0 | 183.0 | 20.0 |

| Device | Package Type | Package Drawing | Pins | SPQ | Length (mm) | Width (mm) | Height (mm) |
|---------------|--------------|-----------------|------|------|-------------|------------|-------------|
| INA281B3IDBVT | SOT-23 | DBV | 5 | 250 | 183.0 | 183.0 | 20.0 |
| INA281B4IDBVR | SOT-23 | DBV | 5 | 3000 | 183.0 | 183.0 | 20.0 |
| INA281B4IDBVT | SOT-23 | DBV | 5 | 250 | 183.0 | 183.0 | 20.0 |
| INA281B5IDBVR | SOT-23 | DBV | 5 | 3000 | 183.0 | 183.0 | 20.0 |
| INA281B5IDBVT | SOT-23 | DBV | 5 | 250 | 183.0 | 183.0 | 20.0 |

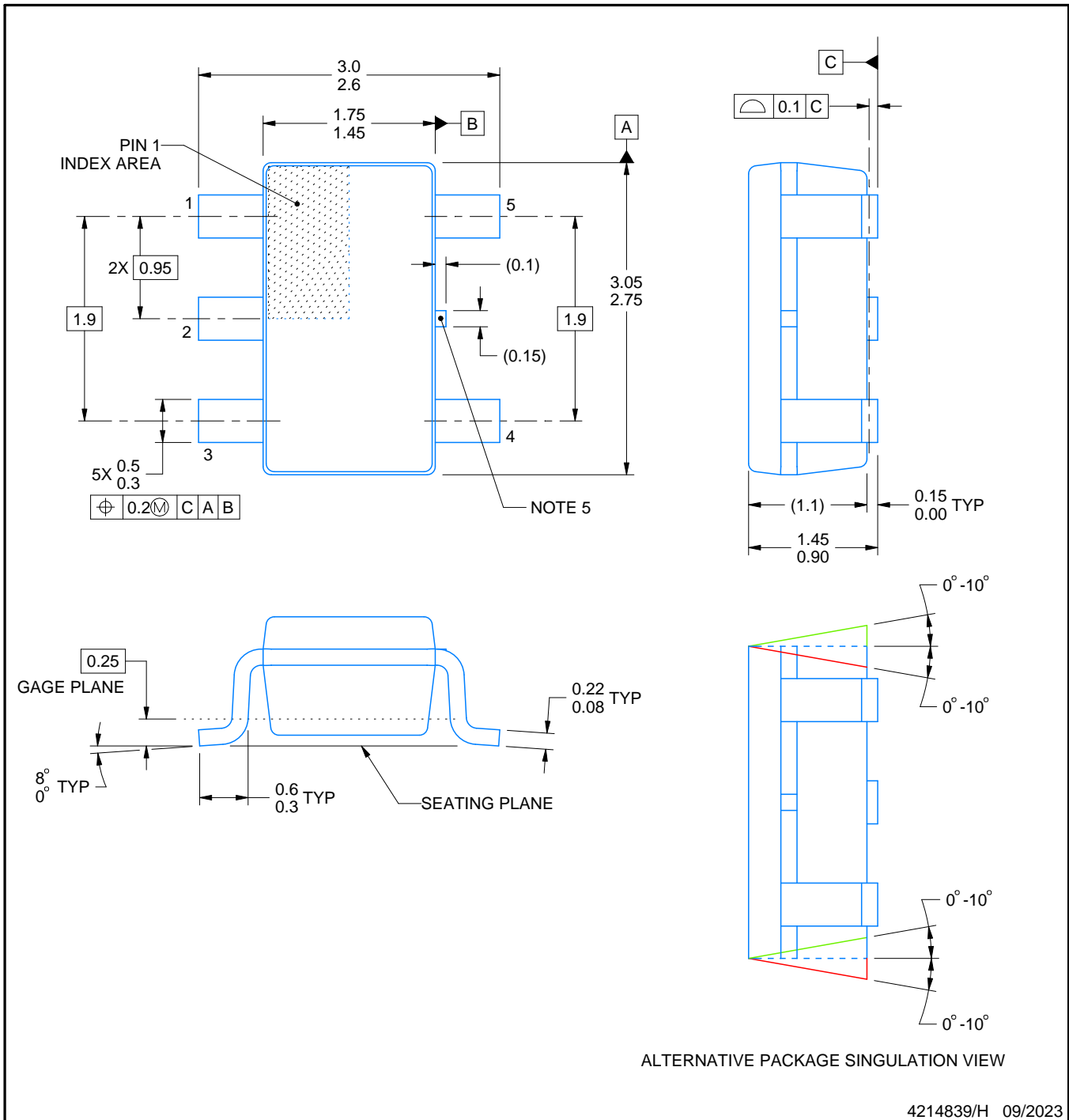
DBV0005A



PACKAGE OUTLINE

SOT-23 - 1.45 mm max height

SMALL OUTLINE TRANSISTOR



NOTES:

1. All linear dimensions are in millimeters. Any dimensions in parenthesis are for reference only. Dimensioning and tolerancing per ASME Y14.5M.
2. This drawing is subject to change without notice.
3. Reference JEDEC MO-178.
4. Body dimensions do not include mold flash, protrusions, or gate burrs. Mold flash, protrusions, or gate burrs shall not exceed 0.25 mm per side.
5. Support pin may differ or may not be present.

EXAMPLE BOARD LAYOUT

DBV0005A

SOT-23 - 1.45 mm max height

SMALL OUTLINE TRANSISTOR



LAND PATTERN EXAMPLE
EXPOSED METAL SHOWN
SCALE:15X



SOLDER MASK DETAILS

4214839/H 09/2023

NOTES: (continued)

- 6. Publication IPC-7351 may have alternate designs.
- 7. Solder mask tolerances between and around signal pads can vary based on board fabrication site.

EXAMPLE STENCIL DESIGN

DBV0005A

SOT-23 - 1.45 mm max height

SMALL OUTLINE TRANSISTOR



SOLDER PASTE EXAMPLE
BASED ON 0.125 mm THICK STENCIL
SCALE:15X

4214839/H 09/2023

NOTES: (continued)

8. Laser cutting apertures with trapezoidal walls and rounded corners may offer better paste release. IPC-7525 may have alternate design recommendations.
9. Board assembly site may have different recommendations for stencil design.

IMPORTANT NOTICE AND DISCLAIMER

TI PROVIDES TECHNICAL AND RELIABILITY DATA (INCLUDING DATA SHEETS), DESIGN RESOURCES (INCLUDING REFERENCE DESIGNS), APPLICATION OR OTHER DESIGN ADVICE, WEB TOOLS, SAFETY INFORMATION, AND OTHER RESOURCES "AS IS" AND WITH ALL FAULTS, AND DISCLAIMS ALL WARRANTIES, EXPRESS AND IMPLIED, INCLUDING WITHOUT LIMITATION ANY IMPLIED WARRANTIES OF MERCHANTABILITY, FITNESS FOR A PARTICULAR PURPOSE OR NON-INFRINGEMENT OF THIRD PARTY INTELLECTUAL PROPERTY RIGHTS.

These resources are intended for skilled developers designing with TI products. You are solely responsible for (1) selecting the appropriate TI products for your application, (2) designing, validating and testing your application, and (3) ensuring your application meets applicable standards, and any other safety, security, regulatory or other requirements.

These resources are subject to change without notice. TI grants you permission to use these resources only for development of an application that uses the TI products described in the resource. Other reproduction and display of these resources is prohibited. No license is granted to any other TI intellectual property right or to any third party intellectual property right. TI disclaims responsibility for, and you will fully indemnify TI and its representatives against, any claims, damages, costs, losses, and liabilities arising out of your use of these resources.

TI's products are provided subject to [TI's Terms of Sale](#) or other applicable terms available either on [ti.com](https://www.ti.com) or provided in conjunction with such TI products. TI's provision of these resources does not expand or otherwise alter TI's applicable warranties or warranty disclaimers for TI products.

TI objects to and rejects any additional or different terms you may have proposed.

Mailing Address: Texas Instruments, Post Office Box 655303, Dallas, Texas 75265
Copyright © 2023, Texas Instruments Incorporated