

16-Mbit (1M Words × 16-Bit) Static RAM with Error-Correcting Code (ECC)

Features

- AEC-Q100 qualified
- Ultra-low standby power
 - Typical standby current: 5.5 μ A
 - Maximum standby current: 75 μ A
- High speed: 45 ns / 55 ns
- Embedded error-correcting code (ECC) for single-bit error correction
- Temperature Ranges:
 - Automotive-A: -40 °C to +85 °C
 - Automotive-E: -40 °C to +125 °C
- Operating voltage range: 2.2 V to 3.6 V
- 1.0-V data retention
- TTL-compatible inputs and outputs
- Available in Pb-free 48-ball VFBGA and 48-pin TSOP I packages

Functional Description

CY62167G is high-performance CMOS low-power (MoBL) SRAM devices with embedded ECC. This device is offered in dual chip-enable.

Devices with dual chip-enable are accessed by asserting both chip-enable inputs – \overline{CE}_1 as LOW and CE_2 as HIGH.

Data writes are performed by asserting the Write Enable input (\overline{WE}) LOW, and providing the data and address on device data (I/O_0 through I/O_{15}) and address (A_0 through A_{19}) pins respectively. The Byte High/Low Enable (\overline{BHE} , \overline{BLE}) inputs control byte writes, and write data on the corresponding I/O lines to the memory location specified. \overline{BHE} controls I/O_8 through I/O_{15} ; \overline{BLE} controls I/O_0 through I/O_7 .

Data reads are performed by asserting the Output Enable (\overline{OE}) input and providing the required address on the address lines. Read data is accessible on I/O lines (I/O_0 through I/O_{15}). Byte accesses can be performed by asserting the required byte enable signal (\overline{BHE} , \overline{BLE}) to read either the upper byte or the lower byte of data from the specified address location.

All I/Os (I/O_0 through I/O_{15}) are placed in a HI-Z state when the device is deselected (\overline{CE}_1 HIGH / CE_2 LOW for dual chip-enable device), or control signals are de-asserted (\overline{OE} , \overline{BLE} , and \overline{BHE}).

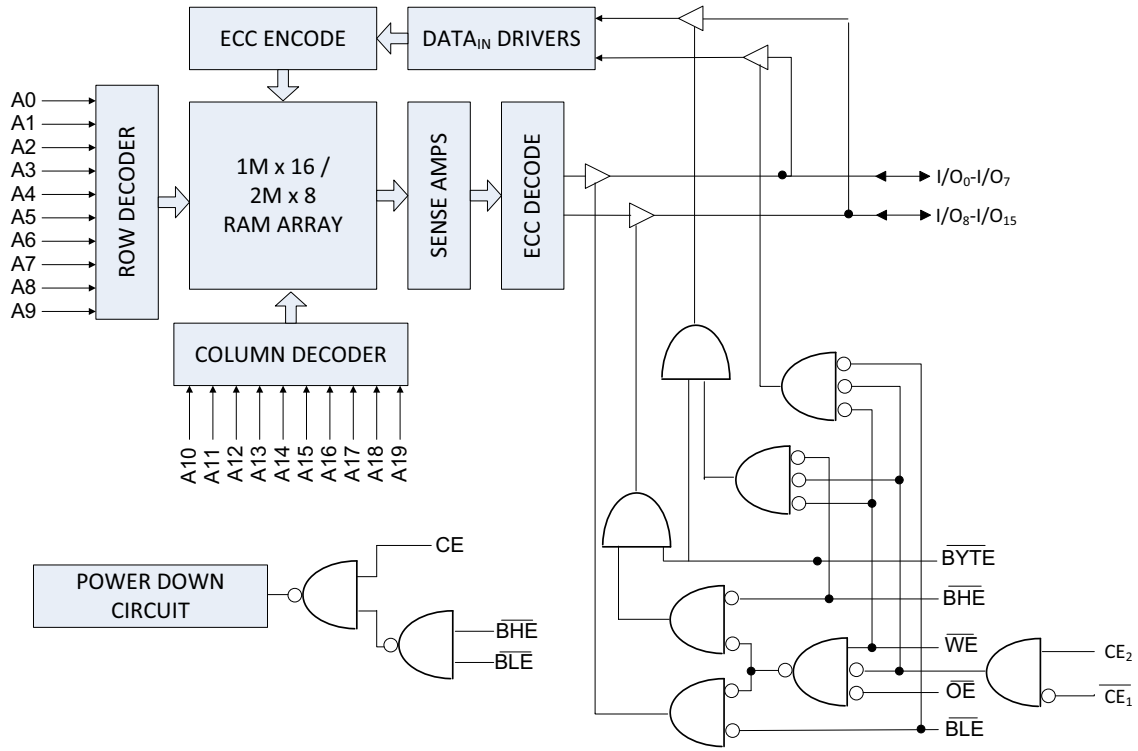
These devices also have a unique “Byte Power down” feature where if both the Byte Enables (\overline{BHE} and \overline{BLE}) are disabled, the devices seamlessly switches to standby mode irrespective of the state of the chip enable(s), thereby saving power.

The CY62167G device is available in a Pb-free 48-ball VFBGA and 48-pin TSOP I packages. The device in the 48-pin TSOP I package can also be configured to function as a 2M words × 8 bit device. The logic block diagram is on page 2. Refer to [Pin Configurations on page 4](#) and the associated footnotes for details.

Note

1. This device does not support automatic write-back on error detection.

Logic Block Diagram – CY62167G



Contents

Pin Configurations	4	Ordering Information	14
Product Portfolio	4	Ordering Code Definitions	14
Maximum Ratings	5	Package Diagram	15
Operating Range	5	Acronyms	17
DC Electrical Characteristics	5	Document Conventions	17
Capacitance	6	Units of Measure	17
Thermal Resistance	6	Document History Page	18
AC Test Loads and Waveforms	6	Sales, Solutions, and Legal Information	19
Data Retention Characteristics	7	Worldwide Sales and Design Support	19
Data Retention Waveform	7	Products	19
Switching Characteristics	8	PSoC® Solutions	19
Switching Waveforms	9	Cypress Developer Community	19
Truth Table – CY62167G	13	Technical Support	19

Pin Configurations

**Figure 1. 48-ball VFBGA pinout ^[2]
CY62167G**

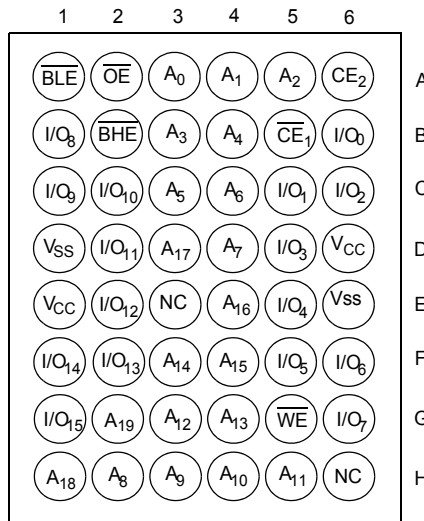
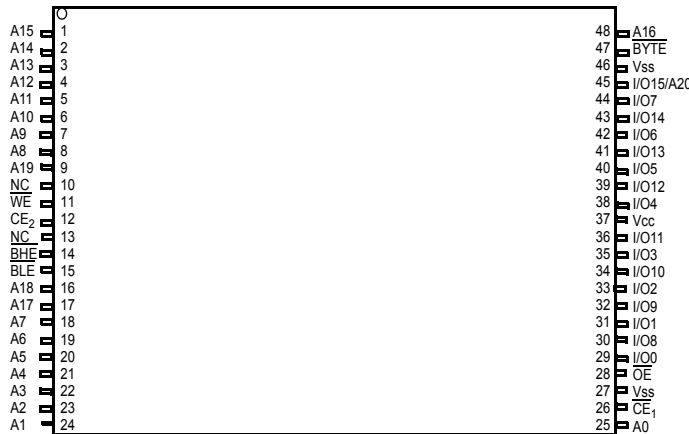


Figure 2. 48-pin TSOP I pinout (Dual Chip Enable without ERR) – CY62167G ^[2, 3]



Product Portfolio

Product	Range	V _{CC} Range (V)	Speed (ns)	Power Dissipation			
				Operating I _{CC} , (mA), f = f _{max}		Standby, I _{SB2} (μA)	
				Typ ^[4]	Max	Typ ^[4]	Max
CY62167G30	Automotive-E	2.2 V–3.6 V	55	29.0	40.0	5.5	75.0
	Automotive-A		45	29.0	36.0	5.5	16.0

Notes

- NC pins are not connected internally to the die and are typically used for address expansion to a higher-density device. Refer to the respective datasheets for pin configuration.
- The BYTE pin in the 48-pin TSOP I package must be tied to V_{CC} to use the device as a 1M × 16 SRAM. The 48-pin TSOP I package can also be used as a 2M × 8 SRAM by tying the BYTE signal to V_{SS}. In the 2M × 8 configuration, pin 45 is A20, while BHE, BLE and I/O₈ to I/O₁₄ pins are not used.
- Indicates the value for the center of Distribution at 3.0 V, 25 °C and not 100% tested.

Maximum Ratings

Exceeding maximum ratings may shorten the useful life of the device. User guidelines are not tested.

- Storage temperature -65 °C to + 150 °C
- Ambient temperature with power applied -55 °C to + 125 °C
- Supply voltage to ground potential ^[5] -0.5 V to V_{CC} + 0.5 V
- DC voltage applied to outputs in HI-Z state ^[5] -0.5 V to V_{CC} + 0.5 V
- DC input voltage ^[5] -0.5 V to V_{CC} + 0.5 V

- Output current into outputs (LOW) 20 mA
- Static discharge voltage (MIL-STD-883, Method 3015) >2001 V
- Latch-up current >140 mA

Operating Range

Grade	Ambient Temperature	V _{CC}
Automotive-E	-40 °C to +125 °C	2.2 V to 3.6 V
Automotive-A	-40 °C to +85 °C	

DC Electrical Characteristics

Over the Operating Range

Parameter	Description		Test Conditions	55 ns (Automotive-E)			45 ns (Automotive-A)			Unit	
				Min	Typ ^[6]	Max	Min	Typ ^[6]	Max		
V _{OH}	Output HIGH voltage	2.2 V to 2.7 V	V _{CC} = Min, I _{OH} = -0.1 mA	2.0	-	-	2.0	-	-	V	
		2.7 V to 3.6 V	V _{CC} = Min, I _{OH} = -1.0 mA	2.4	-	-	2.4	-	-		
V _{OL}	Output LOW voltage	2.2 V to 2.7 V	V _{CC} = Min, I _{OL} = 0.1 mA	-	-	0.4	-	-	0.4	V	
		2.7 V to 3.6 V	V _{CC} = Min, I _{OL} = 2.1 mA	-	-	0.4	-	-	0.4		
V _{IH}	Input HIGH voltage ^[5]	2.2 V to 2.7 V	-	1.8	-	V _{CC} + 0.3	1.8	-	V _{CC} + 0.3	V	
		2.7 V to 3.6 V	-	2.0	-	V _{CC} + 0.3	2.0	-	V _{CC} + 0.3		
V _{IL}	Input LOW voltage ^[5]	2.2 V to 2.7 V	-	-0.3	-	0.6	-0.3	-	0.6	V	
		2.7 V to 3.6 V	-	-0.3	-	0.8	-0.3	-	0.8		
I _{IX}	Input leakage current		GND ≤ V _{IN} ≤ V _{CC}	-4.0	-	+4.0	-1.0	-	+1.0	μA	
I _{OZ}	Output leakage current		GND ≤ V _{OUT} ≤ V _{CC} . Output disabled	-4.0	-	+4.0	-1.0	-	+1.0	μA	
I _{CC}	V _{CC} operating supply current		V _{CC} = Max, I _{OUT} = 0 mA, CMOS levels	f = f _{MAX}	-	29.0	40.0	-	29.0	36.0	mA
				f = 1 MHz	-	7.0	18.0	-	7.0	9.0	mA
I _{SB1} ^[7]	Automatic power down current – CMOS inputs; V _{CC} = 2.2 to 3.6 V		$\overline{CE}_1 \geq V_{CC} - 0.2 V$ or $CE_2 \leq 0.2 V$ or $(\overline{BHE}$ and $\overline{BLE}) \geq V_{CC} - 0.2 V$, $V_{IN} \geq V_{CC} - 0.2 V$, $V_{IN} \leq 0.2 V$, $f = f_{max}$ (address and data only), $f = 0$ (OE, and WE), $V_{CC} = V_{CC(max)}$	-	5.5	75.0	-	5.5	16.0	μA	
I _{SB2} ^[7]	Automatic power down current – CMOS inputs; V _{CC} = 2.2 to 3.6 V		$\overline{CE}_1 \geq V_{CC} - 0.2 V$ or $CE_2 \leq 0.2 V$ or $(\overline{BHE}$ and $\overline{BLE}) \geq V_{CC} - 0.2 V$, $V_{IN} \geq V_{CC} - 0.2 V$ or $V_{IN} \leq 0.2 V$, $f = 0$, $V_{CC} = V_{CC(max)}$	-	5.5	75.0	-	5.5	16.0	μA	

Notes

- 5. V_{IL(min)} = -2.0 V and V_{IH(max)} = V_{CC} + 2 V for pulse durations of less than 20 ns.
- 6. Indicates the value for the center of Distribution at 3.0 V, 25 °C and not 100% tested.
- 7. Chip enables (CE₁ and CE₂) and BHE, BLE and BYTE must be tied to CMOS levels to meet the I_{SB1} / I_{SB2} / I_{CCDR} spec. Other inputs can be left floating.

Capacitance

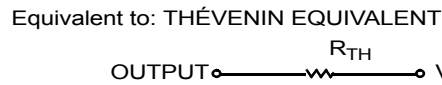
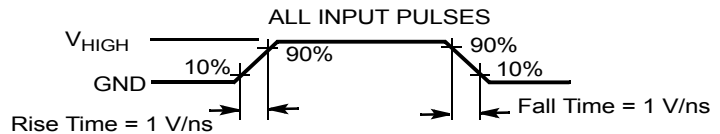
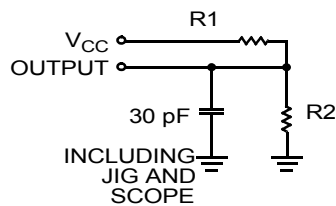
Parameter ^[8]	Description	Test Conditions	Max	Unit
C _{IN}	Input capacitance	T _A = 25 °C, f = 1 MHz, V _{CC} = V _{CC(typ)}	10	pF
C _{OUT}	Output capacitance		10	pF

Thermal Resistance

Parameter ^[8]	Description	Test Conditions	48-ball VFBGA	48-pin TSOP I	Unit
Θ _{JA}	Thermal resistance (junction to ambient)	Still air, soldered on a 3 × 4.5 inch, four-layer printed circuit board	31.50	57.99	°C/W
Θ _{JC}	Thermal resistance (junction to case)		15.75	13.42	°C/W

AC Test Loads and Waveforms

Figure 3. AC Test Loads and Waveforms



Parameters	3.0 V	Unit
R1	317	Ω
R2	351	Ω
V _{HIGH}	3.0	V

Note

8. Tested initially and after any design or process changes that may affect these parameters.

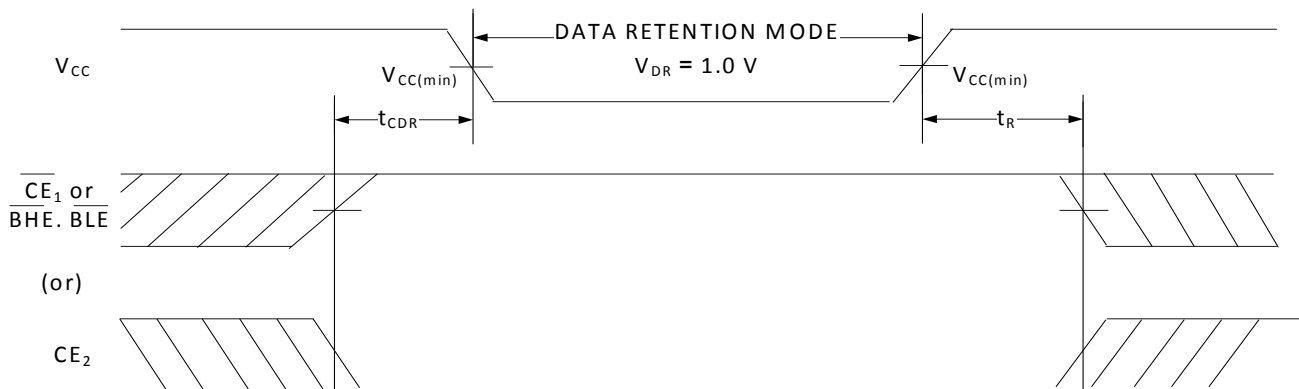
Data Retention Characteristics

Over the Operating Range

Parameter	Description	Conditions	55 ns (Automotive-E)			45 ns (Automotive-A)			Unit
			Min	Typ ^[9]	Max	Min	Typ ^[9]	Max	Unit
V _{DR}	V _{CC} for data retention		1	–	–	1	–	–	V
I _{CCDR} ^[10]	Data-retention current	2.2 V < V _{CC} ≤ 3.6 V $\overline{CE}_1 \geq V_{CC} - 0.2 \text{ V}$ or $CE_2 \leq 0.2 \text{ V}$ or $(\overline{BHE} \text{ and } \overline{BLE}) \geq V_{CC} - 0.2 \text{ V}$, $V_{IN} \geq V_{CC} - 0.2 \text{ V}$ or $V_{IN} \leq 0.2 \text{ V}$	–	5.5	75.0	–	5.5	16.0	μA
t _{CDR} ^[11]	Chip deselect to data-retention time		0	–	–	0	–	–	–
t _R ^[12]	Operation-recovery time		55	–	–	45	–	–	ns

Data Retention Waveform

Figure 4. Data-Retention Waveform^[13]



Notes

9. Indicates the value for the center of distribution at 3.0 V, 25°C and not 100% tested.
10. Chip enables (CE₁ and CE₂) and BYTE must be tied to CMOS levels to meet the I_{SB1} / I_{SB2} / I_{CCDR} spec. Other inputs can be left floating.
11. Tested initially and after any design or process changes that may affect these parameters.
12. Full device operation requires linear V_{CC} ramp from V_{DR} to V_{CC(min)} ≥ 100 μs or stable at V_{CC(min)} ≥ 100 μs.
13. BHE.BLE is the AND of both BHE and BLE. Deselect the chip by either disabling the chip enable signals or by disabling both \overline{BHE} and \overline{BLE} .

Switching Characteristics

Parameter ^[14]	Description	55 ns (Automotive-E)		45 ns (Automotive-A)		Unit
		Min	Max	Min	Max	
Read Cycle						
t_{RC}	Read cycle time	55	–	45	–	ns
t_{AA}	Address to data valid	–	55	–	45	ns
t_{OHA}	Data hold from address change	10	–	10	–	ns
t_{ACE}	\overline{CE}_1 LOW and CE_2 HIGH to data valid / \overline{CE} LOW	–	55	–	45	ns
t_{DOE}	\overline{OE} LOW to data valid / \overline{OE} LOW	–	25	–	22	ns
t_{LZOE}	\overline{OE} LOW to Low Z ^[15]	5	–	5	–	ns
t_{HZOE}	\overline{OE} HIGH to High Z ^[15, 16]	–	20	–	18	ns
t_{LZCE}	\overline{CE}_1 LOW and CE_2 HIGH to Low Z ^[15]	10	–	10	–	ns
t_{HZCE}	\overline{CE}_1 HIGH and CE_2 LOW to High Z ^[15, 16]	–	20	–	18	ns
t_{PU}	\overline{CE}_1 LOW and CE_2 HIGH to power-up	0	–	0	–	ns
t_{PD}	\overline{CE}_1 HIGH and CE_2 LOW to power-down	–	55	–	45	ns
t_{DBE}	BLE / BHE LOW to data valid	–	55	–	45	ns
t_{LZBE}	BLE / \overline{BHE} LOW to Low Z ^[15]	5	–	5	–	ns
t_{HZBE}	\overline{BLE} / \overline{BHE} HIGH to High Z ^[15, 16]	–	20	–	18	ns
Write Cycle ^[17]						
t_{WC}	Write cycle time	55	–	45	–	ns
t_{SCE}	\overline{CE}_1 LOW and CE_2 HIGH to write end	40	–	35	–	ns
t_{AW}	Address setup to write end	40	–	35	–	ns
t_{HA}	Address hold from write end	0	–	0	–	ns
t_{SA}	Address setup to write start	0	–	0	–	ns
t_{PWE}	\overline{WE} pulse width	40	–	35	–	ns
t_{BW}	\overline{BLE} / \overline{BHE} LOW to write end	40	–	35	–	ns
t_{SD}	Data setup to write end	25	–	25	–	ns
t_{HD}	Data hold from write end	0	–	0	–	ns
t_{HZWE}	\overline{WE} LOW to High Z ^[15, 16]	–	20	–	18	ns
t_{LZWE}	\overline{WE} HIGH to Low Z ^[15]	10	–	10	–	ns

Notes

14. Test conditions assume signal transition time (rise/fall) of 3 ns or less, timing reference levels of 1.5 V (for $V_{CC} \geq 3$ V) and $V_{CC}/2$ (for $V_{CC} < 3$ V), and input pulse levels of 0 to 3 V (for $V_{CC} \geq 3$ V) and 0 to V_{CC} (for $V_{CC} < 3$ V). Test conditions for the read cycle use output loading shown in AC Test Loads and Waveforms section, unless specified otherwise.

15. At any temperature and voltage condition, t_{HZOE} is less than t_{LZCE} , t_{HZBE} is less than t_{LZBE} , t_{HZOE} is less than t_{LZOE} , and t_{HZWE} is less than t_{LZWE} for any device.

16. t_{HZOE} , t_{HZCE} , t_{HZBE} , and t_{HZWE} transitions are measured when the outputs enter a high impedance state.

17. The internal write time of the memory is defined by the overlap of $\overline{WE} = V_{IL}$, $\overline{CE}_1 = V_{IL}$, \overline{BHE} or \overline{BLE} or both = V_{IL} , and $CE_2 = V_{IH}$. All signals must be ACTIVE to initiate a write. Any of these signals can terminate a write by going INACTIVE. The data input setup and hold timing must refer to the edge of the signal that terminates the write.

Switching Waveforms

Figure 5. Read Cycle No. 1 of CY62167G (Address Transition Controlled) [18, 19]

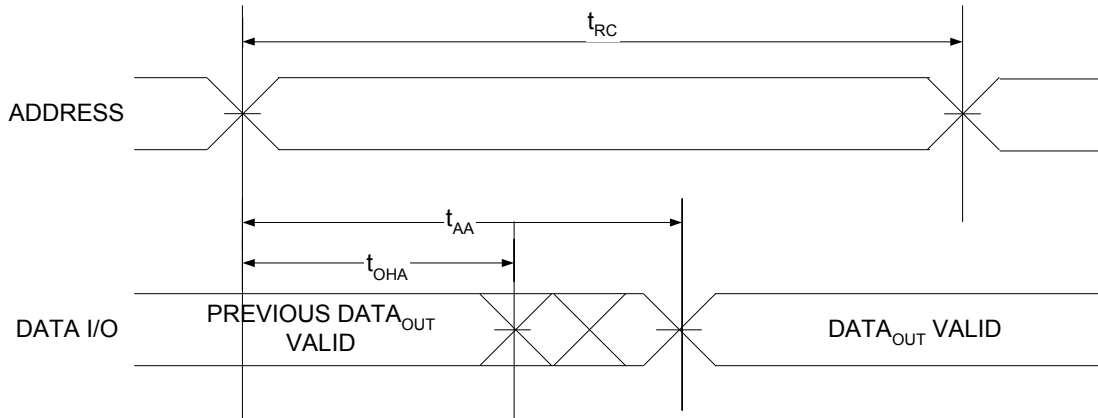
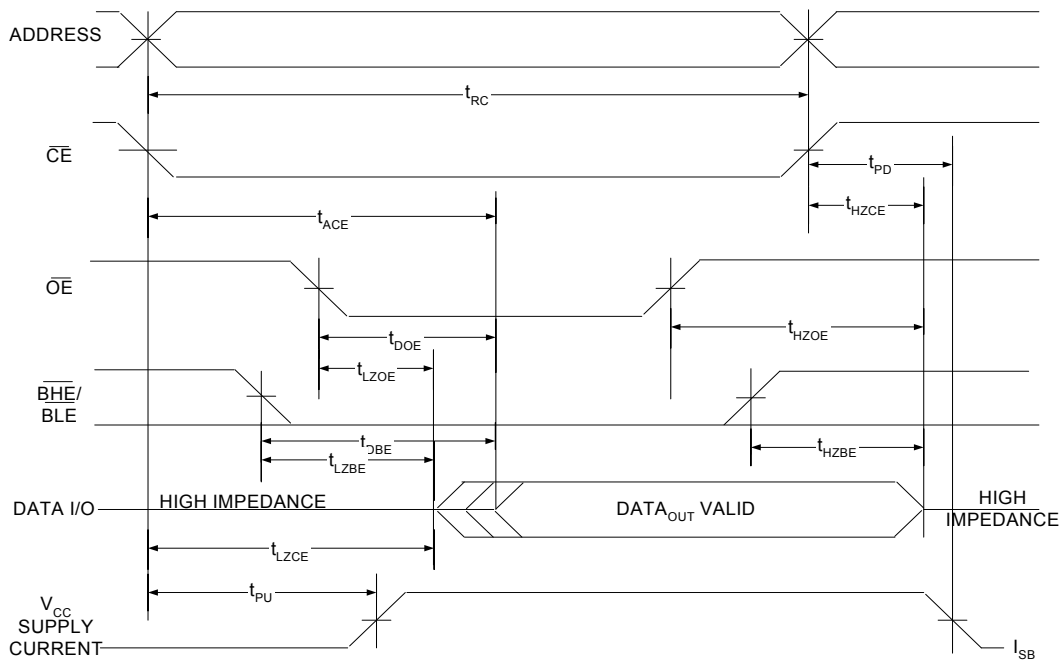


Figure 6. Read Cycle No. 2 (\overline{OE} Controlled) [19, 20, 21]

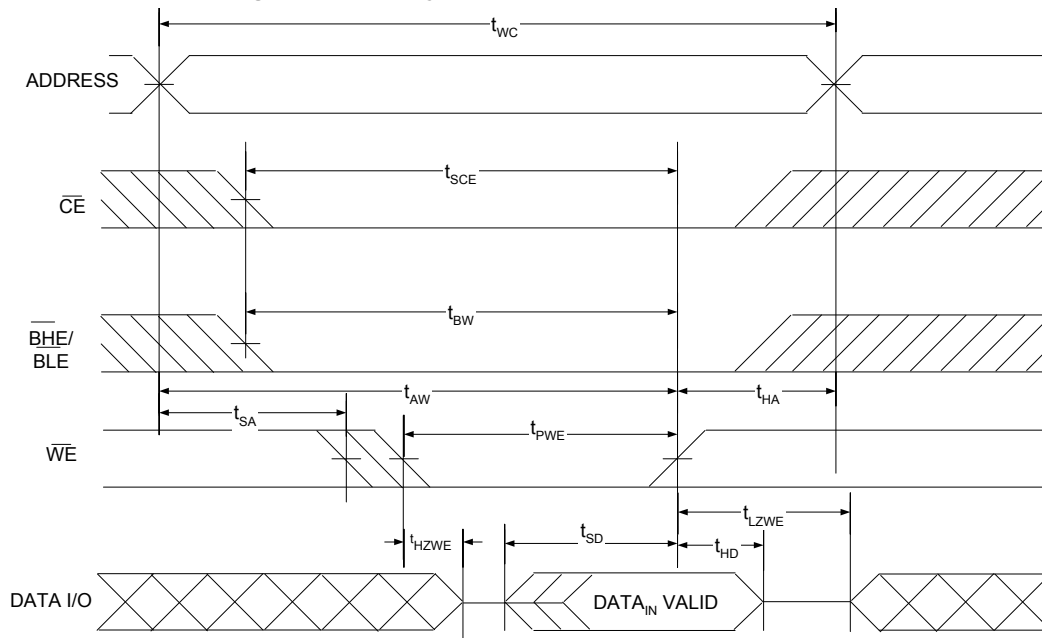


Notes

- 18. The device is continuously selected. $\overline{OE} = V_{IL}$, $\overline{CE} = V_{IL}$, \overline{BHE} or \overline{BLE} or both = V_{IL} .
- 19. \overline{WE} is HIGH for read cycle.
- 20. For all dual chip enable devices, \overline{CE} is the logical combination of \overline{CE}_1 and CE_2 . When \overline{CE}_1 is LOW and CE_2 is HIGH, \overline{CE} is LOW; when \overline{CE}_1 is HIGH or CE_2 is LOW, \overline{CE} is HIGH.
- 21. Address valid prior to or coincident with \overline{CE} LOW transition.

Switching Waveforms (continued)

Figure 7. Write Cycle No. 1 (\overline{WE} Controlled) [22, 23, 24]

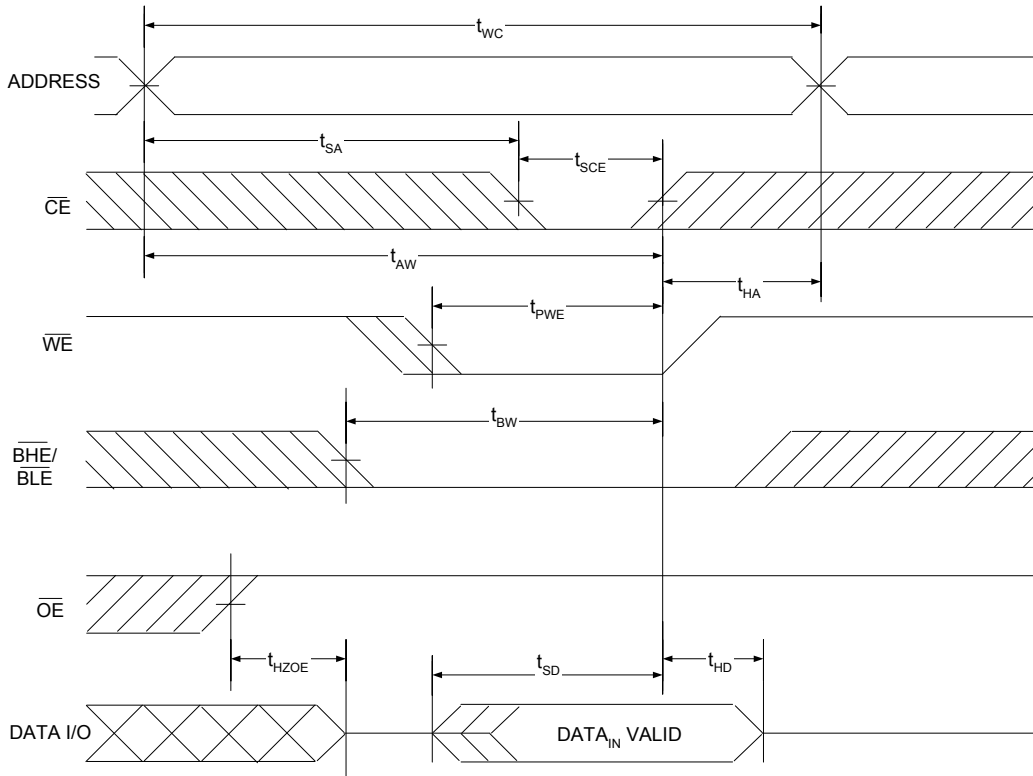


Notes

22. For all dual chip enable devices, \overline{CE} is the logical combination of \overline{CE}_1 and CE_2 . When \overline{CE}_1 is LOW and CE_2 is HIGH, \overline{CE} is LOW; when \overline{CE}_1 is HIGH or CE_2 is LOW, \overline{CE} is HIGH.
23. The internal write time of the memory is defined by the overlap of $\overline{WE} = V_{IL}$, $\overline{CE}_1 = V_{IL}$, \overline{BHE} or \overline{BLE} or both = V_{IL} , and $CE_2 = V_{IH}$. All signals must be ACTIVE to initiate a write and any of these signals can terminate a write by going INACTIVE. The data input setup and hold timing must refer to the edge of the signal that terminates the write.
24. Data I/O is in HI-Z state if $\overline{CE} = V_{IH}$, or $\overline{OE} = V_{IH}$ or \overline{BHE} , and/or $\overline{BLE} = V_{IH}$.

Switching Waveforms (continued)

Figure 8. Write Cycle No. 2 (\overline{CE} Controlled) [25, 26, 27]

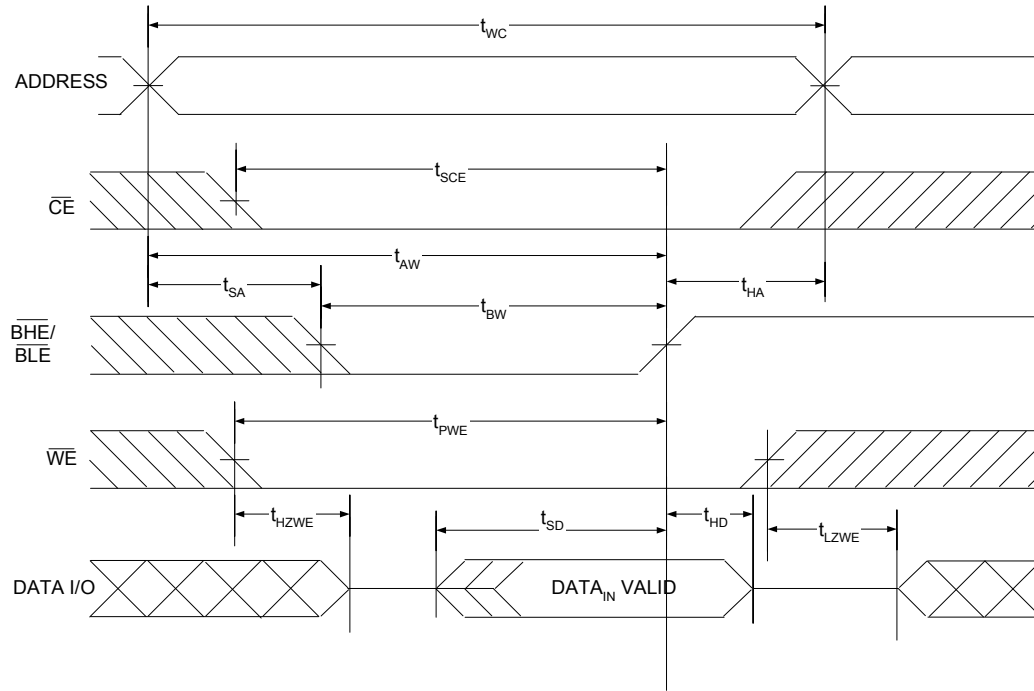


Notes

- 25. For all dual chip enable devices, \overline{CE} is the logical combination of \overline{CE}_1 and CE_2 . When \overline{CE}_1 is LOW and CE_2 is HIGH, \overline{CE} is LOW; when \overline{CE}_1 is HIGH or CE_2 is LOW, \overline{CE} is HIGH.
- 26. The internal write time of the memory is defined by the overlap of $\overline{WE} = V_{IL}$, $\overline{CE}_1 = V_{IL}$, \overline{BHE} or \overline{BLE} or both = V_{IL} , and $CE_2 = V_{IH}$. All signals must be ACTIVE to initiate a write and any of these signals can terminate a write by going INACTIVE. The data input setup and hold timing must refer to the edge of the signal that terminates the write.
- 27. Data I/O is in high impedance state if $\overline{CE} = V_{IH}$, or $\overline{OE} = V_{IH}$ or \overline{BHE} , and/or $\overline{BLE} = V_{IH}$.

Switching Waveforms (continued)

Figure 9. Write Cycle No. 3 ($\overline{\text{BHE}}/\overline{\text{BLE}}$ Controlled, $\overline{\text{OE}}$ LOW) [28, 29, 30]



Notes

28. For all dual chip enable devices, $\overline{\text{CE}}$ is the logical combination of $\overline{\text{CE}}_1$ and CE_2 . When $\overline{\text{CE}}_1$ is LOW and CE_2 is HIGH, $\overline{\text{CE}}$ is LOW; when $\overline{\text{CE}}_1$ is HIGH or CE_2 is LOW, $\overline{\text{CE}}$ is HIGH.
29. The internal write time of the memory is defined by the overlap of $\overline{\text{WE}} = V_{IL}$, $\overline{\text{CE}}_1 = V_{IL}$, $\overline{\text{BHE}}$ or $\overline{\text{BLE}}$ or both = V_{IL} , and $\text{CE}_2 = V_{IH}$. All signals must be ACTIVE to initiate a write and any of these signals can terminate a write by going INACTIVE. The data input setup and hold timing must refer to the edge of the signal that terminates the write.
30. Data I/O is in high impedance state if $\overline{\text{CE}} = V_{IH}$, or $\overline{\text{OE}} = V_{IH}$ or $\overline{\text{BHE}}$, and/or $\overline{\text{BLE}} = V_{IH}$.

Truth Table – CY62167G

\overline{CE}_1	CE_2	\overline{WE}	\overline{OE}	\overline{BHE}	\overline{BLE}	Inputs/Outputs	Mode	Power
H	X ^[31]	X	X	X	X	HI-Z	Deselect/Power-down	Standby (I_{SB})
X ^[31]	L	X	X	X	X	HI-Z	Deselect/Power-down	Standby (I_{SB})
X ^[31]	X ^[31]	X	X	H	H	HI-Z	Deselect/Power-down	Standby (I_{SB})
L	H	H	L	L	L	Data Out (I/O_0 – I/O_{15})	Read	Active (I_{CC})
L	H	H	L	H	L	Data Out (I/O_0 – I/O_7); HI-Z (I/O_8 – I/O_{15})	Read	Active (I_{CC})
L	H	H	L	L	H	HI-Z (I/O_0 – I/O_7); Data Out (I/O_8 – I/O_{15})	Read	Active (I_{CC})
L	H	H	H	X	X	HI-Z	Output disabled	Active (I_{CC})
L	H	L	X	L	L	Data In (I/O_0 – I/O_{15})	Write	Active (I_{CC})
L	H	L	X	H	L	Data In (I/O_0 – I/O_7); HI-Z (I/O_8 – I/O_{15})	Write	Active (I_{CC})
L	H	L	X	L	H	HI-Z (I/O_0 – I/O_7); Data In (I/O_8 – I/O_{15})	Write	Active (I_{CC})

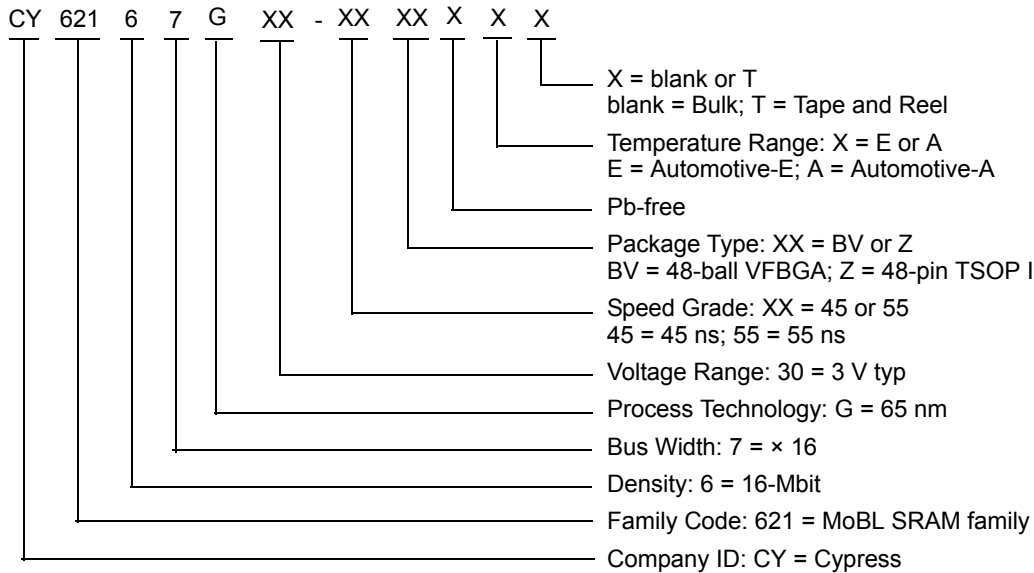
Note

31. The 'X' (Don't care) state for the chip enables refer to the logic state (either HIGH or LOW). Intermediate voltage levels on these pins is not permitted.

Ordering Information

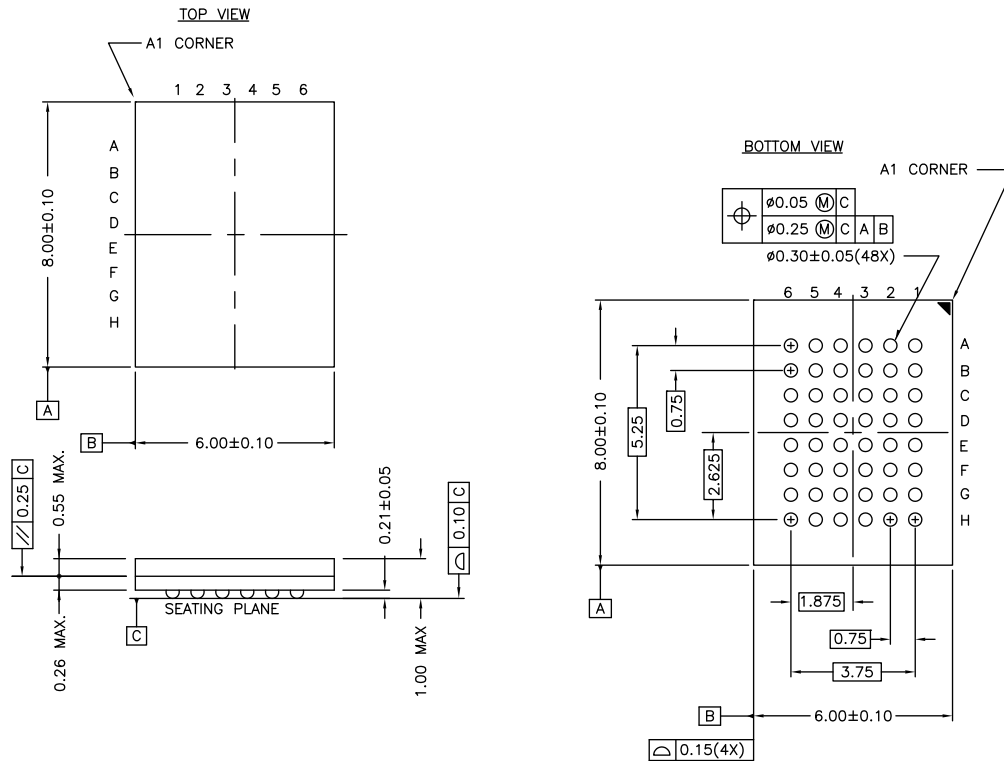
Speed (ns)	Ordering Code	Package Diagram	Package Type	Operating Range
55	CY62167G30-55BVXE	51-85150	48-ball VFBGA (6 × 8 × 1 mm) (Pb-free), Package Code: BZ48	Automotive-E
	CY62167G30-55BVXET			
	CY62167G30-55ZXE	51-85183	48-pin TSOP I (12 × 18.4 × 1 mm) (Pb-free), Package Code: Z48A	
	CY62167G30-55ZXET			
45	CY62167G30-45ZXA	51-85183	48-pin TSOP I (12 × 18.4 × 1 mm) (Pb-free), Package Code: Z48A	Automotive-A
	CY62167G30-45ZXAT			
	CY62167G30-45BVXA	51-85150	48-ball VFBGA (6 × 8 × 1 mm) (Pb-free), Package Code: BZ48	
	CY62167G30-45BVXAT			

Ordering Code Definitions



Package Diagram

Figure 10. 48-ball VFBGA (6 × 8 × 1.0 mm) BV48/BZ48 Package Outline, 51-85150

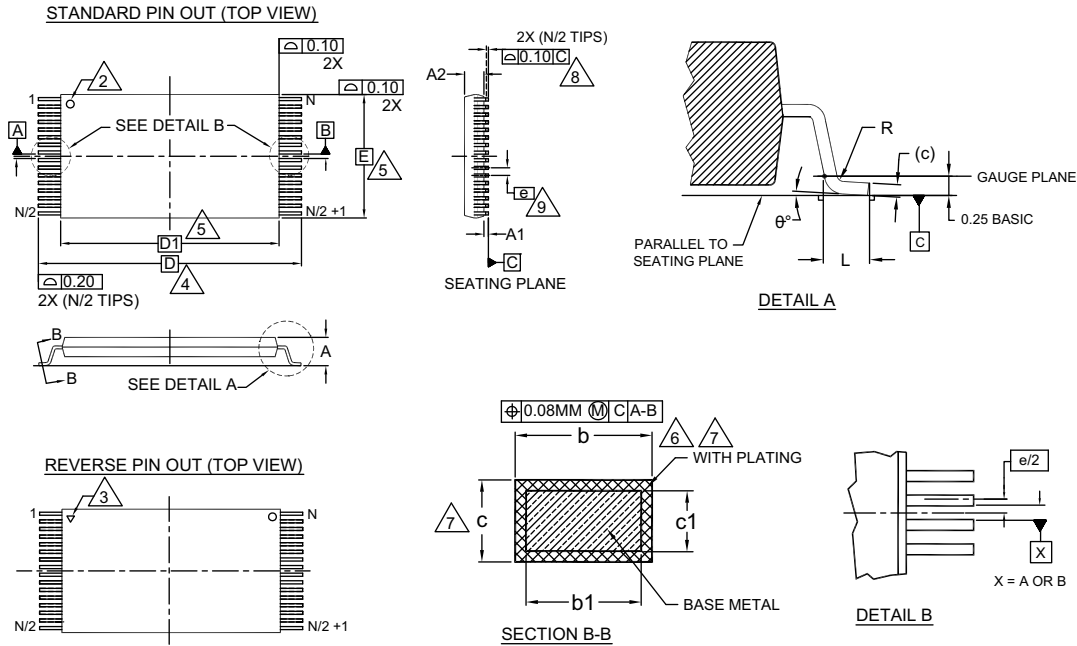


NOTE:
PACKAGE WEIGHT: See Cypress Package Material Declaration Datasheet (PMDD) posted on the Cypress web.

51-85150 *H

Package Diagram (continued)

Figure 11. 48-pin TSOP I (18.4 × 12 × 1.2 mm) Package Outline, 51-85183



SYMBOL	DIMENSIONS		
	MIN.	NOM.	MAX.
A	—	—	1.20
A1	0.05	—	0.15
A2	0.95	1.00	1.05
b1	0.17	0.20	0.23
b	0.17	0.22	0.27
c1	0.10	—	0.16
c	0.10	—	0.21
D	20.00 BASIC		
D1	18.40 BASIC		
E	12.00 BASIC		
e	0.50 BASIC		
L	0.50	0.60	0.70
θ	0°	—	8
R	0.08	—	0.20
N	48		

NOTES:

1. DIMENSIONS ARE IN MILLIMETERS (mm).
2. PIN 1 IDENTIFIER FOR STANDARD PIN OUT (DIE UP).
3. PIN 1 IDENTIFIER FOR REVERSE PIN OUT (DIE DOWN); INK OR LASER MARK.
4. TO BE DETERMINED AT THE SEATING PLANE \perp -C-. THE SEATING PLANE IS DEFINED AS THE PLANE OF CONTACT THAT IS MADE WHEN THE PACKAGE LEADS ARE ALLOWED TO REST FREELY ON A FLAT HORIZONTAL SURFACE.
5. DIMENSIONS D1 AND E DO NOT INCLUDE MOLD PROTRUSION. ALLOWABLE MOLD PROTRUSION ON E IS 0.15mm PER SIDE AND ON D1 IS 0.25mm PER SIDE.
6. DIMENSION b DOES NOT INCLUDE DAMBAR PROTRUSION. ALLOWABLE DAMBAR PROTRUSION SHALL BE 0.08mm TOTAL IN EXCESS OF b DIMENSION AT MAX. MATERIAL CONDITION. DAMBAR CANNOT BE LOCATED ON LOWER RADIUS OR THE FOOT. MINIMUM SPACE BETWEEN PROTRUSION AND AN ADJACENT LEAD TO BE 0.07mm.
7. THESE DIMENSIONS APPLY TO THE FLAT SECTION OF THE LEAD BETWEEN 0.10mm AND 0.25mm FROM THE LEAD TIP.
8. LEAD COPLANARITY SHALL BE WITHIN 0.10mm AS MEASURED FROM THE SEATING PLANE.
9. DIMENSION "e" IS MEASURED AT THE CENTERLINE OF THE LEADS.
10. JEDEC SPECIFICATION NO. REF: MO-142(D)DD.

51-85183 *F

Acronyms

Acronym	Description
BHE	byte high enable
BLE	byte low enable
CE	chip enable
CMOS	complementary metal oxide semiconductor
I/O	input/output
OE	output enable
SRAM	static random access memory
VFBGA	very fine-pitch ball grid array
WE	write enable

Document Conventions

Units of Measure

Symbol	Unit of Measure
°C	Degrees Celsius
MHz	megahertz
μA	microamperes
μs	microseconds
mA	milliamperes
mm	millimeters
ns	nanoseconds
Ω	ohms
%	percent
pF	picofarads
V	volts
W	watts

Document History Page

Document Title: CY62167G Automotive, 16-Mbit (1M Words × 16-Bit) Static RAM with Error-Correcting Code (ECC) Document Number: 001-84902				
Rev.	ECN No.	Orig. of Change	Submission Date	Description of Change
*C	5083752	NILE	01/13/2016	Changed status from Preliminary to Final.
*D	5130998	NILE	02/12/2016	Updated Logic Block Diagram – CY62167G . Updated Pin Configurations : Added Note 3 and referred the same note in Figure 2 . Updated DC Electrical Characteristics : Updated Note 7. Updated Data Retention Characteristics : Updated Note 10.
*E	5555173	VINI	01/18/2017	Updated Features : Added “AEC-Q100 qualified”. Updated Maximum Ratings : Updated Note 5 (Replaced “2 ns” with “20 ns”). Updated DC Electrical Characteristics : Replaced “55 ns (Automotive-E)” with “45 ns (Automotive-A)” in column heading. Replaced “55 ns (Automotive-A)” with “55 ns (Automotive-E)” in column heading. Changed minimum value of V_{OH} parameter from 2.2 V to 2.4 V corresponding to Operating Range “2.7 V to 3.6 V”. Changed minimum value of V_{IH} parameter from 2.0 V to 1.8 V corresponding to Operating Range “2.2 V to 2.7 V”. Updated Ordering Information : Updated part numbers. Updated Ordering Code Definitions . Updated Package Diagram : spec 51-85183 – Changed revision from *D to *E. Updated to new template. Completing Sunset Review.
*F	5725191	NILE	05/03/2017	Updated DC Electrical Characteristics : Fixed typo in values of I_{IX} and I_{OZ} parameters (both “Min” and “Max” columns). Fixed typo in values of I_{SB1} and I_{SB2} parameters (only “Max” column). Updated Data Retention Characteristics : Fixed typo in values of I_{CCDR} parameter (only “Max” column). Updated to new template.

Sales, Solutions, and Legal Information

Worldwide Sales and Design Support

Cypress maintains a worldwide network of offices, solution centers, manufacturer's representatives, and distributors. To find the office closest to you, visit us at [Cypress Locations](#).

Products

ARM® Cortex® Microcontrollers	cypress.com/arm
Automotive	cypress.com/automotive
Clocks & Buffers	cypress.com/clocks
Interface	cypress.com/interface
Internet of Things	cypress.com/iot
Memory	cypress.com/memory
Microcontrollers	cypress.com/mcu
PSoC	cypress.com/psoc
Power Management ICs	cypress.com/pmic
Touch Sensing	cypress.com/touch
USB Controllers	cypress.com/usb
Wireless Connectivity	cypress.com/wireless

PSoC® Solutions

[PSoC 1](#) | [PSoC 3](#) | [PSoC 4](#) | [PSoC 5LP](#)

Cypress Developer Community

[Forums](#) | [WICED IOT Forums](#) | [Projects](#) | [Video](#) | [Blogs](#) | [Training](#) | [Components](#)

Technical Support

cypress.com/support

© Cypress Semiconductor Corporation, 2013–2017. This document is the property of Cypress Semiconductor Corporation and its subsidiaries, including Spansion LLC ("Cypress"). This document, including any software or firmware included or referenced in this document ("Software"), is owned by Cypress under the intellectual property laws and treaties of the United States and other countries worldwide. Cypress reserves all rights under such laws and treaties and does not, except as specifically stated in this paragraph, grant any license under its patents, copyrights, trademarks, or other intellectual property rights. If the Software is not accompanied by a license agreement and you do not otherwise have a written agreement with Cypress governing the use of the Software, then Cypress hereby grants you a personal, non-exclusive, nontransferable license (without the right to sublicense) (1) under its copyright rights in the Software (a) for Software provided in source code form, to modify and reproduce the Software solely for use with Cypress hardware products, only internally within your organization, and (b) to distribute the Software in binary code form externally to end users (either directly or indirectly through resellers and distributors), solely for use on Cypress hardware product units, and (2) under those claims of Cypress's patents that are infringed by the Software (as provided by Cypress, unmodified) to make, use, distribute, and import the Software solely for use with Cypress hardware products. Any other use, reproduction, modification, translation, or compilation of the Software is prohibited.

TO THE EXTENT PERMITTED BY APPLICABLE LAW, CYPRESS MAKES NO WARRANTY OF ANY KIND, EXPRESS OR IMPLIED, WITH REGARD TO THIS DOCUMENT OR ANY SOFTWARE OR ACCOMPANYING HARDWARE, INCLUDING, BUT NOT LIMITED TO, THE IMPLIED WARRANTIES OF MERCHANTABILITY AND FITNESS FOR A PARTICULAR PURPOSE. To the extent permitted by applicable law, Cypress reserves the right to make changes to this document without further notice. Cypress does not assume any liability arising out of the application or use of any product or circuit described in this document. Any information provided in this document, including any sample design information or programming code, is provided only for reference purposes. It is the responsibility of the user of this document to properly design, program, and test the functionality and safety of any application made of this information and any resulting product. Cypress products are not designed, intended, or authorized for use as critical components in systems designed or intended for the operation of weapons, weapons systems, nuclear installations, life-support devices or systems, other medical devices or systems (including resuscitation equipment and surgical implants), pollution control or hazardous substances management, or other uses where the failure of the device or system could cause personal injury, death, or property damage ("Unintended Uses"). A critical component is any component of a device or system whose failure to perform can be reasonably expected to cause the failure of the device or system, or to affect its safety or effectiveness. Cypress is not liable, in whole or in part, and you shall and hereby do release Cypress from any claim, damage, or other liability arising from or related to all Unintended Uses of Cypress products. You shall indemnify and hold Cypress harmless from and against all claims, costs, damages, and other liabilities, including claims for personal injury or death, arising from or related to any Unintended Uses of Cypress products.

Cypress, the Cypress logo, Spansion, the Spansion logo, and combinations thereof, WICED, PSoC, CapSense, EZ-USB, F-RAM, and Traveo are trademarks or registered trademarks of Cypress in the United States and other countries. For a more complete list of Cypress trademarks, visit cypress.com. Other names and brands may be claimed as property of their respective owners.