

Features

- Internal Thermal Shut Down Protection
- Internal Short Circuit Current Limiting
- Epoxy Meets UL 94 V-0 Flammability Rating
- Halogen Free Available Upon Request By Adding Suffix "-HF"
- Lead Free Finish/RoHS Compliant(Note1) ("P" Suffix Designates RoHS Compliant. See ordering information)

Maximum Ratings

Parameter	Symbol	Value	Unit
Input Voltage	V_I	-35	V
Output Current	I_o	1.0	A
Operating Junction Temperature $(A_{\theta JA})^* \wedge$	T_{OPR}	0~125	°C
Storage Temperature Range	T_{STG}	-55~150	°C

Notes:1.High Temperature Solder Exemption Applied, see EU Directive Annex 7a.

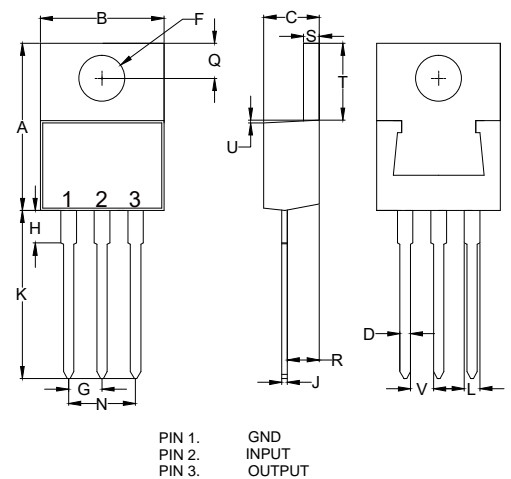
Marking Code:

MCC
79XXCT

XX:05~12

Three-Terminal Positive Voltage Regulators

TO-220



DIMENSIONS

DIM	INCHES		MM		NOTE
	MIN	MAX	MIN	MAX	
A	0.560	0.625	14.22	15.88	
B	0.380	0.420	9.65	10.67	
C	0.140	0.190	3.56	4.82	
D	0.020	0.045	0.51	1.14	
F	0.139	0.161	3.53	4.09	Φ
G	0.090	0.110	2.29	2.79	
H	-----	0.250	-----	6.35	
J	0.012	0.025	0.30	0.64	
K	0.500	0.580	12.70	14.73	
L	0.045	0.060	1.14	1.52	
N	0.190	0.210	4.83	5.33	
Q	0.100	0.135	2.54	3.43	
R	0.080	0.115	2.04	2.92	
S	0.045	0.055	1.14	1.39	
T	0.230	0.270	5.84	6.86	
U	-----	0.050	-----	1.27	
V	0.045	-----	1.15	-----	

Electrical Characteristics
MC7905CT

 ($V_i=10V$, $I_o=500mA$, $0^\circ C < T_j < 125^\circ C$, $C_i=2.0\mu F$, $C_o=0.1\mu F$, Unless Otherwise Specified)

Parameter	Symbol	Test Conditions	Min	Typ	Max	Unit
Output Voltage	V_o	$T_j=25^\circ C$	-4.8	-5.0	-5.2	V
		$-7V \leq V_i \leq -20V$, $5mA \leq I_o \leq 1000mA$, $P_D \leq 15W$	-4.75	-	-5.25	V
Load Regulation	ΔV_o	$5mA \leq I_o \leq 1500mA$, $T_j=25^\circ C$	-	15.0	100	mV
		$250mA \leq I_o \leq 750mA$, $T_j=25^\circ C$	-	5.0	50	mV
Line Regulation	ΔV_o	$-7V \leq V_i \leq -25V$, $T_j=25^\circ C$	-	12.5	50	mV
		$-8V \leq V_i \leq -12V$, $T_j=25^\circ C$	-	4.0	15	mV
Quiescent Current	I_q	$T_j=25^\circ C$, $I_o=0$	-	1.5	2.0	mA
Quiescent Current Change	ΔI_q	$-7V \leq V_i \leq -25V$,	-	-	0.5	mA
		$5mA \leq I_o \leq 1000mA$	-	-	0.5	mA
Output Noise Voltage	V_N	$f=120Hz$	-	120	-	μV
Ripple Rejection	RR	$-8V \leq V_i \leq -18V$, $f=120Hz$, $T_j=25^\circ C$	54	60	-	dB
Dropout Voltage	V_d	$T_j=25^\circ C$, $I_o=1.0A$	-	1.1	-	V
Peak Output Current	I_{opeak}	$T_j=25^\circ C$	-	2.1	-	A
Temperature Coefficient of Output Voltage	$\Delta V_o / \Delta T_j$	$0^\circ C \leq T_j \leq 125^\circ C$, $I_o=5.0mA$	-	-0.4	-	$mV/^\circ C$

Electrical Characteristics

MC7906CT

($V_i=11V$, $I_o=500mA$, $0^{\circ}C < T_j < 125^{\circ}C$, $C_i=2.0\mu F$, $C_o=0.1\mu F$, Unless Otherwise Specified)

Parameter	Symbol	Test Conditions	Min	Typ	Max	Unit
Output Voltage	V_o	$T_j=25^{\circ}C$	-5.75	-6.0	-6.25	V
		$-8V \leq V_i \leq -21V$, $5mA \leq I_o \leq 1000mA$, $P_D \leq 15W$	-5.70	-	-6.30	V
Load Regulation	ΔV_o	$5mA \leq I_o \leq 1500mA$, $T_j=25^{\circ}C$	-	15.0	160	mV
		$250mA \leq I_o \leq 750mA$, $T_j=25^{\circ}C$	-	5.0	80	mV
Line Regulation	ΔV_o	$-8V \leq V_i \leq -25V$, $T_j=25^{\circ}C$	-	12.5	160	mV
		$-9V \leq V_i \leq -13V$, $T_j=25^{\circ}C$	-	4.0	80	mV
Quiescent Current	I_q	$T_j=25^{\circ}C$, $I_o=0$	-	1.5	2.0	mA
Quiescent Current Change	ΔI_q	$-10.5V \leq V_i \leq -25V$,	-	-	1.0	mA
		$5mA \leq I_o \leq 1000mA$	-	-	0.5	mA
Output Noise Voltage	V_N	$10Hz \leq f \leq 100KHz$, $T_j=25^{\circ}C$	-	200	-	μV
Ripple Rejection	RR	$-9V \leq V_i \leq -13V$, $f=120Hz$, $T_j=25^{\circ}C$	54	60	-	dB
Dropout Voltage	V_d	$T_j=25^{\circ}C$, $I_o=1.0A$	-	1.1	-	V
Peak Output Current	I_{opeak}	$T_j=25^{\circ}C$	-	2.1	-	A
Temperature Coefficient of Output Voltage	$\Delta V_o / \Delta T_j$	$0^{\circ}C \leq T_j \leq 125^{\circ}C$, $I_o=5.0mA$	-	-0.5	-	$mV/^{\circ}C$

Electrical Characteristics

MC7908CT

($V_i=14V$, $I_o=500mA$, $0^\circ C < T_j < 125^\circ C$, $C_i=2.0\mu F$, $C_o=0.1\mu F$, Unless Otherwise Specified)

Parameter	Symbol	Test Conditions	Min	Typ	Max	Unit
Output Voltage	V_o	$T_j=25^\circ C$	-7.70	-8.0	-8.30	V
		$-10.5V \leq V_i \leq -23V$, $5mA \leq I_o \leq 1000mA$, $P_D=15W$	-7.60	-	-8.40	V
Load Regulation	ΔV_o	$5mA \leq I_o \leq 1500mA$, $T_j=25^\circ C$	-	12.0	160	mV
		$250mA \leq I_o \leq 750mA$, $T_j=25^\circ C$	-	4.0	80	mV
Line Regulation	ΔV_o	$-10.5V \leq V_i \leq -25V$, $T_j=25^\circ C$	-	6.0	160	mV
		$-11V \leq V_i \leq -17V$, $T_j=25^\circ C$	-	2.0	80	mV
Quiescent Current	I_q	$T_j=25^\circ C$, $I_o=0$	-	2.2	4.5	mA
Quiescent Current Change	ΔI_q	$-10.5V \leq V_i \leq -25V$,	-	-	1.0	mA
		$5mA \leq I_o \leq 1000mA$	-	-	0.5	mA
Output Noise Voltage	V_N	$10Hz \leq f \leq 100KHz$, $T_j=25^\circ C$	-	52	-	μV
Ripple Rejection	RR	$-10.5V \leq V_i \leq -25V$, $f=120Hz$, $T_j=25^\circ C$	56	71	-	dB
Dropout Voltage	V_d	$T_j=25^\circ C$, $I_o=1.0A$	-	2.0	-	V
Peak Output Current	I_{opeak}	$T_j=25^\circ C$	-	2.1	-	A
Temperature Coefficient of Output Voltage	$\Delta V_o/\Delta T_j$	$0^\circ C \leq T_j \leq 125^\circ C$, $I_o=5.0mA$	-	-0.6	-	mV/ $^\circ C$

Electrical Characteristics

MC7909CT

 ($V_i=15V$, $I_o=500mA$, $0^{\circ}C < T_j < 125^{\circ}C$, $C_i=2.0\mu F$, $C_o=0.1\mu F$, Unless Otherwise Specified)

Parameter	Symbol	Test Conditions	Min	Typ	Max	Unit
Output Voltage	V_o	$T_j=25^{\circ}C$	-8.70	-9.0	-9.30	V
		$-11.5V \leq V_i \leq -24V$, $5mA \leq I_o \leq 1000mA$, $P_D \leq 15W$	-8.60	-	-9.40	V
Load Regulation	ΔV_o	$5mA \leq I_o \leq 1500mA$, $T_j=25^{\circ}C$	-	12.0	180	mV
		$250mA \leq I_o \leq 750mA$, $T_j=25^{\circ}C$	-	4.0	90	mV
Line Regulation	ΔV_o	$-11.5V \leq V_i \leq -26V$, $T_j=25^{\circ}C$	-	10	180	mV
		$-12V \leq V_i \leq -18V$, $T_j=25^{\circ}C$	-	5.0	90	mV
Quiescent Current	I_q	$T_j=25^{\circ}C$, $I_o=0$	-	3.0	6.0	mA
Quiescent Current Change	ΔI_q	$-11.5V \leq V_i \leq -26V$,	-	-	1.0	mA
		$5mA \leq I_o \leq 1000mA$	-	-	0.5	mA
Output Noise Voltage	V_N	$10Hz \leq f \leq 100KHz$, $T_j=25^{\circ}C$	-	175	-	μV
Ripple Rejection	RR	$-11.5V \leq V_i \leq -26V$, $f=120Hz$, $T_j=25^{\circ}C$	54	60	-	dB
Dropout Voltage	V_d	$T_j=25^{\circ}C$, $I_o=1.0A$	-	1.1	-	V
Peak Output Current	I_{opeak}	$T_j=25^{\circ}C$	-	2.1	-	A
Temperature Coefficient of Output Voltage	$\Delta V_o / \Delta T_j$	$0^{\circ}C \leq T_j \leq 125^{\circ}C$, $I_o=5.0mA$	-	-0.6	-	mV/ $^{\circ}C$

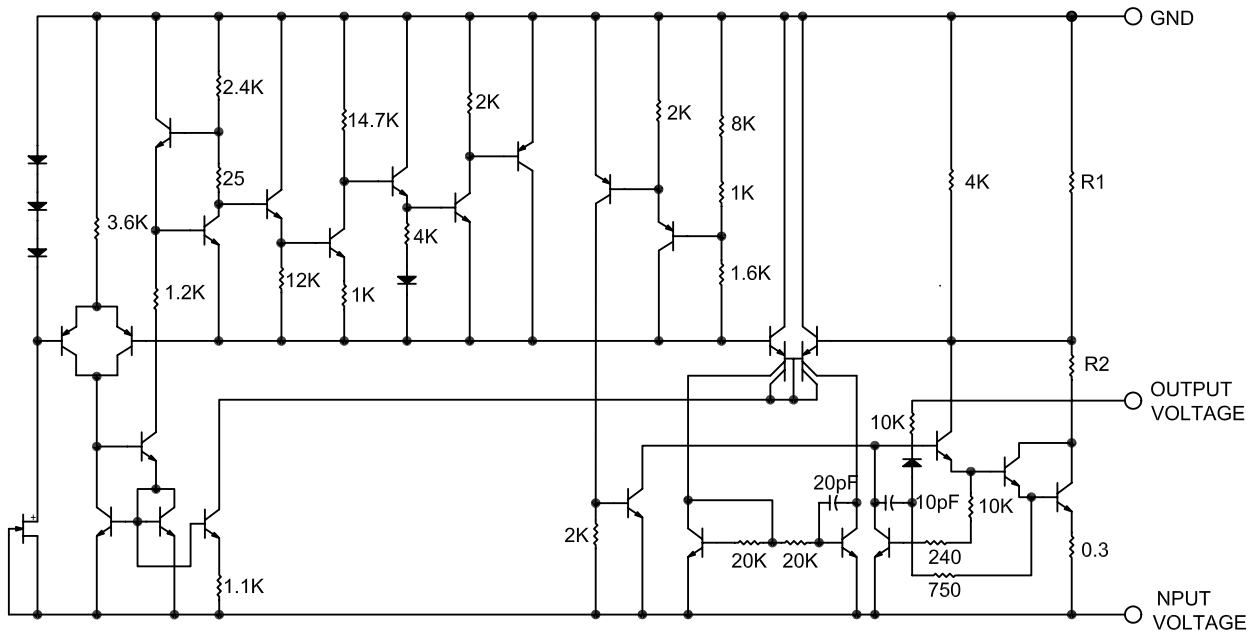
Electrical Characteristics

MC7912CT

 ($V_i=19V$, $I_o=500mA$, $0^\circ C < T_j < 125^\circ C$, $C_i=2.0\mu F$, $C_o=0.1\mu F$, Unless Otherwise Specified)

Parameter	Symbol	Test Conditions	Min	Typ	Max	Unit
Output Voltage	V_o	$T_j=25^\circ C$	-11.50	-12.0	-12.50	V
		$-14.5V \leq V_i \leq -27V$, $5mA \leq I_o \leq 1000mA$, $P_D \leq 15W$	-11.40	-	-12.60	V
Load Regulation	ΔV_o	$5mA \leq I_o \leq 1500mA$, $T_j=25^\circ C$	-	15.0	200	mV
		$250mA \leq I_o \leq 750mA$, $T_j=25^\circ C$	-	5.0	75	mV
Line Regulation	ΔV_o	$-14.5V \leq V_i \leq -30V$, $T_j=25^\circ C$	-	5.0	80	mV
		$-16V \leq V_i \leq -22V$, $T_j=25^\circ C$	-	3.0	30	mV
Quiescent Current	I_q	$T_j=25^\circ C$, $I_o=0$	-	2.0	3.0	mA
Quiescent Current Change	ΔI_q	$-14.5V \leq V_i \leq -30V$,	-	-	0.5	mA
		$5mA \leq I_o \leq 1000mA$	-	-	0.5	mA
Output Noise Voltage	V_N	$10Hz \leq f \leq 100KHz$, $T_j=25^\circ C$	-	300	-	μV
Ripple Rejection	RR	$-14.5V \leq V_i \leq -30V$, $f=120Hz$, $T_j=25^\circ C$	54	60	-	dB
Dropout Voltage	V_d	$T_j=25^\circ C$, $I_o=1.0A$	-	1.1	-	V
Peak Output Current	I_{opeak}	$T_j=25^\circ C$	-	2.1	-	A
Temperature Coefficient of Output Voltage	$\Delta V_o / \Delta T_j$	$0^\circ C \leq T_j \leq 125^\circ C$, $I_o=5.0mA$	-	-0.8	-	mV/ $^\circ C$

Representation Schematic Diagram



Ordering Information

Device	Packing
Part Number-BP	Bulk:50pcs/Tube,1Kpcs/Box,5Kpcs/Carton

Note : Adding "-HF" Suffix For Halogen Free, eg. Part Number-BP-HF

IMPORTANT NOTICE

Micro Commercial Components Corp. reserves the right to make changes without further notice to any product herein to make corrections, modifications , enhancements , improvements , or other changes . **Micro Commercial Components Corp** . does not assume any liability arising out of the application or use of any product described herein; neither does it convey any license under its patent rights ,nor the rights of others . The user of products in such applications shall assume all risks of such use and will agree to hold **Micro Commercial Components Corp** . and all the companies whose products are represented on our website, harmless against all damages. **Micro Commercial Components Corp**. products are sold subject to the general terms and conditions of commercial sale, as published at <https://www.mccsemi.com/Home/TermsAndConditions>.

LIFE SUPPORT

MCC's products are not authorized for use as critical components in life support devices or systems without the express written approval of Micro Commercial Components Corporation.

CUSTOMER AWARENESS

Counterfeiting of semiconductor parts is a growing problem in the industry. Micro Commercial Components (MCC) is taking strong measures to protect ourselves and our customers from the proliferation of counterfeit parts. MCC strongly encourages customers to purchase MCC parts either directly from MCC or from Authorized MCC Distributors who are listed by country on our web page cited below. Products customers buy either from MCC directly or from Authorized MCC Distributors are genuine parts, have full traceability, meet MCC's quality standards for handling and storage. **MCC will not provide any warranty coverage or other assistance for parts bought from Unauthorized Sources.** MCC is committed to combat this global problem and encourage our customers to do their part in stopping this practice by buying direct or from authorized distributors.