

---

## USB 2.0 HSIC High-Speed Hub Controller Optimized for Portable Applications

---

### Features

- Integrated USB 2.0 Compatible 3-Port Hub.
- HSIC Upstream Port
- Advanced power saving features
  - 1  $\mu$ A Typical Standby Current
  - Port goes into power saving state when no devices are connected downstream
  - Port is shutdown when port is disabled.
  - Digital core shut down in Standby Mode
- Supports either Single-TT or Multi-TT configurations for Full-Speed and Low-Speed connections.
- Enhanced configuration options available through serial I<sup>2</sup>C Slave Port
  - VID/PID/DID
  - String Descriptors
  - Configuration options for Hub.
- Internal Default configuration option when serial I<sup>2</sup>C host not available.
- MultiTRAK™
  - Dedicated Transaction Translator per port.
- PortMap
  - Configurable port mapping and disable sequencing.
- PortSwap
  - Configurable differential intra-pair signal swapping.
- PHYBoost™
  - Programmable USB transceiver drive strength for recovering signal integrity
- VariSense™
  - Programmable USB receiver sensitivity
- flexPWR® Technology
  - Low current design ideal for battery powered applications
- Internal supply switching provides low power modes
- External 12, 19.2, 24, 25, 26, 27, 38.4, or 52 MHz clock input
- Internal 3.3V & 1.2V Voltage Regulators for single supply operation.
  - External VBAT and 1.8V dual supply input option
- Internal Short Circuit protection of USB differential signal pins.

- USB Port ESD Protection (**DP/DM**)
  - $\pm$ 15kV (air and contact discharge)
  - IEC 61000-4-2 level 4 ESD protection without external devices
- 25-pin WLCS (1.97mm x 1.97mm Wafer Level Chip Scale) Package - 0.4mm ball pitch
- 32-pin SQFN (5.0 mm x 5.0 mm) Package

### Applications

The USB3503 is targeted for applications where more than one USB port is required. As mobile devices add more features and the systems become more complex it is necessary to have more than one USB port to take communicate with the internal and peripheral devices.

- Mobile Phones
- Tablet Computers
- Ultra Mobile PCs
- Digital Still Cameras
- Digital Video Camcorders
- Gaming Consoles
- PDAs
- Portable Media Players
- GPS Personal Navigation Devices
- Media Players/Viewers

## TO OUR VALUED CUSTOMERS

It is our intention to provide our valued customers with the best documentation possible to ensure successful use of your Microchip products. To this end, we will continue to improve our publications to better suit your needs. Our publications will be refined and enhanced as new volumes and updates are introduced.

If you have any questions or comments regarding this publication, please contact the Marketing Communications Department via E-mail at [docerrors@microchip.com](mailto:docerrors@microchip.com). We welcome your feedback.

### Most Current Data Sheet

To obtain the most up-to-date version of this data sheet, please register at our Worldwide Web site at:

<http://www.microchip.com>

You can determine the version of a data sheet by examining its literature number found on the bottom outside corner of any page. The last character of the literature number is the version number, (e.g., DS30000000A is version A of document DS30000000).

### Errata

An errata sheet, describing minor operational differences from the data sheet and recommended workarounds, may exist for current devices. As device/documentation issues become known to us, we will publish an errata sheet. The errata will specify the revision of silicon and revision of document to which it applies.

To determine if an errata sheet exists for a particular device, please check with one of the following:

- Microchip's Worldwide Web site; <http://www.microchip.com>
- Your local Microchip sales office (see last page)

When contacting a sales office, please specify which device, revision of silicon and data sheet (include -literature number) you are using.

### Customer Notification System

Register on our web site at [www.microchip.com](http://www.microchip.com) to receive the most current information on all of our products.

## Table of Contents

1.0 General Description .....	4
2.0 Acronyms and Definitions .....	6
3.0 USB3503 Pin Definitions .....	7
4.0 Modes of Operation .....	15
5.0 Configuration Options .....	19
6.0 Serial Slave Interface .....	36
7.0 USB Descriptors .....	39
8.0 Battery Charging .....	48
9.0 Integrated Power Regulators .....	50
10.0 Specifications .....	51
11.0 Application Reference .....	59
12.0 Package Outlines, Tape & Reel Drawings, Package Marking .....	62
Appendix A: Data sheet Revision History .....	70
The Microchip Web Site .....	71
Customer Change Notification Service .....	71
Customer Support .....	71
USB3503 25-WLCSP Product Identification System .....	72
USB3503 32-SQFN Product Identification System .....	72

# USB3503

---

## 1.0 GENERAL DESCRIPTION

The USB3503 is a low-power, USB 2.0 hub controller with HSIC upstream connectivity and three USB 2.0 downstream ports. The USB3503 operates as a hi-speed hub and supports low-speed, full-speed, and hi-speed downstream devices on all of the enabled downstream ports.

The USB3503 has been specifically optimized for mobile embedded applications. The pin-count has been reduced by optimizing the USB3503 for mobile battery-powered embedded systems where power consumption, small package size, and minimal BOM are critical design requirements. Standby mode power has been minimized. Instead of a dedicated crystal, reference clock inputs are aligned to mobile applications. Flexible integrated power regulators ease integration into battery powered devices. All required resistors on the USB ports are integrated into the hub. This includes all series termination resistors on D+ and D- pins and all required pull-down resistors on D+ and D- pins.

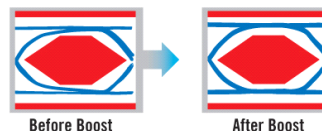
The USB3503 includes programmable features such as:

**MultiTRAK™ Technology**, which utilizes a dedicated Transaction Translator (TT) per port to maintain consistent full-speed data throughput regardless of the number of active downstream connections. MultiTRAK™ outperforms conventional USB 2.0 hubs with a single TT in USB full-speed data transfers.

**PortMap**, which provides flexible port mapping and disable sequences. The downstream ports of a USB3503 hub can be reordered or disabled in any sequence to support multiple platform designs with minimum effort. For any port that is disabled, the USB3503 hub controllers automatically reorder the remaining ports to match the USB host controller's port numbering scheme.

**PortSwap**, which adds per-port programmability to USB differential-pair pin locations. PortSwap allows direct alignment of USB signals (D+/D-) to connectors to avoid uneven trace length or crossing of the USB differential signals on the PCB.

**PHYBoost**, which provides programmable levels of Hi-Speed USB signal drive strength in the downstream port transceivers. PHYBoost attempts to restore USB signal integrity in a compromised system environment. The graphic on the right shows an example of Hi-Speed USB eye diagrams before and after PHYBoost signal integrity restoration.



**VariSense**, which controls the USB receiver sensitivity enabling programmable levels of USB signal receive sensitivity. This capability allows operation in a sub-optimal system environment, such as when a captive USB cable is used.

### 1.1 Customer Selectable Features

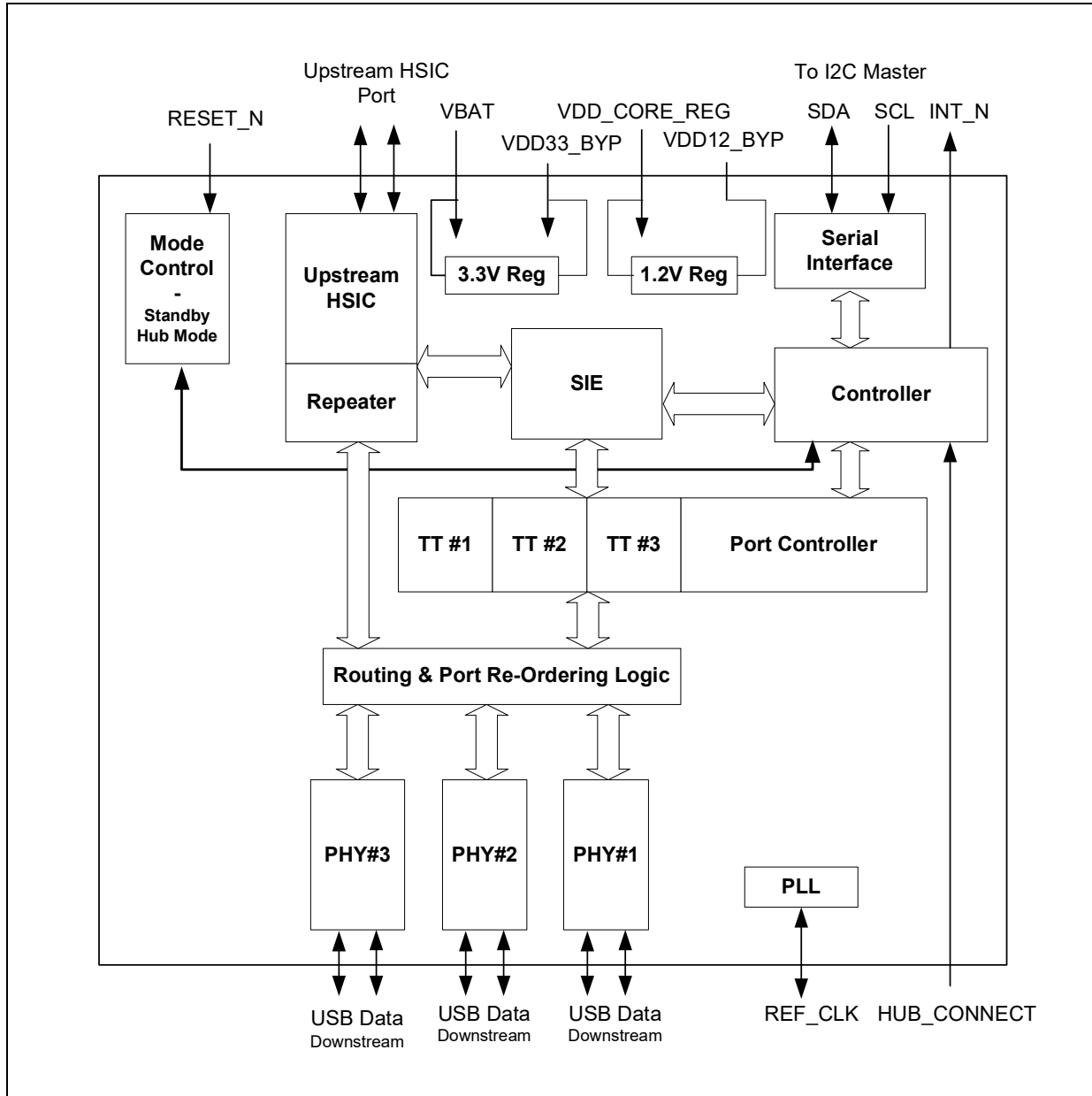
A default configuration is available in the USB3503 following a reset. This configuration may be sufficient for most applications. The USB3503 hub may also be configured by an external microcontroller. When using the microcontroller interface, the hub appears as an I<sup>2</sup>C slave device.

The USB3503 hub supports customer selectable features including:

- Optional customer configuration via I<sup>2</sup>C.
- Supports compound devices on a port-by-port basis.
- Customizable vendor ID, product ID, and device ID.
- Configurable downstream port power-on time reported to the host.
- Supports indication of the maximum current that the hub consumes from the USB upstream port.
- Supports Indication of the maximum current required for the hub controller.
- Configurable as either a Self-Powered or Bus-Powered Hub
- Supports custom string descriptors (up to 30 characters):
  - Product string
  - Manufacturer string
  - Serial number string
- When available, I<sup>2</sup>C configurable options for default configuration may include:
  - Downstream ports as non-removable ports
  - Downstream ports as disabled ports
  - USB signal drive strength
  - USB receiver sensitivity
  - USB differential pair pin location

## 1.1.1 BLOCK DIAGRAM

**FIGURE 1-1: USB3503 BLOCK DIAGRAM**



# USB3503

---

## 2.0 ACRONYMS AND DEFINITIONS

### 2.1 Acronyms

EP: Endpoint

FS: Full-Speed

HS: Hi-Speed

I<sup>2</sup>C<sup>®</sup>: Inter-Integrated Circuit<sup>1</sup>

LS: Low-Speed

HSIC: High-Speed Inter-Chip

### 2.2 Reference Documents

1. USB Engineering Change Notice dated December 29th, 2004, *UNICODE UTF-16LE For String Descriptors*.
2. *Universal Serial Bus Specification*, Revision 2.0, Dated April 27th, 2000.
3. *Battery Charging Specification*, Revision 1.1, Release Candidate 10, Dated Sept. 22, 2008
4. *High-Speed Inter-Chip USB Electrical Specification*, Version 1.0, Dated Sept. 23, 2007

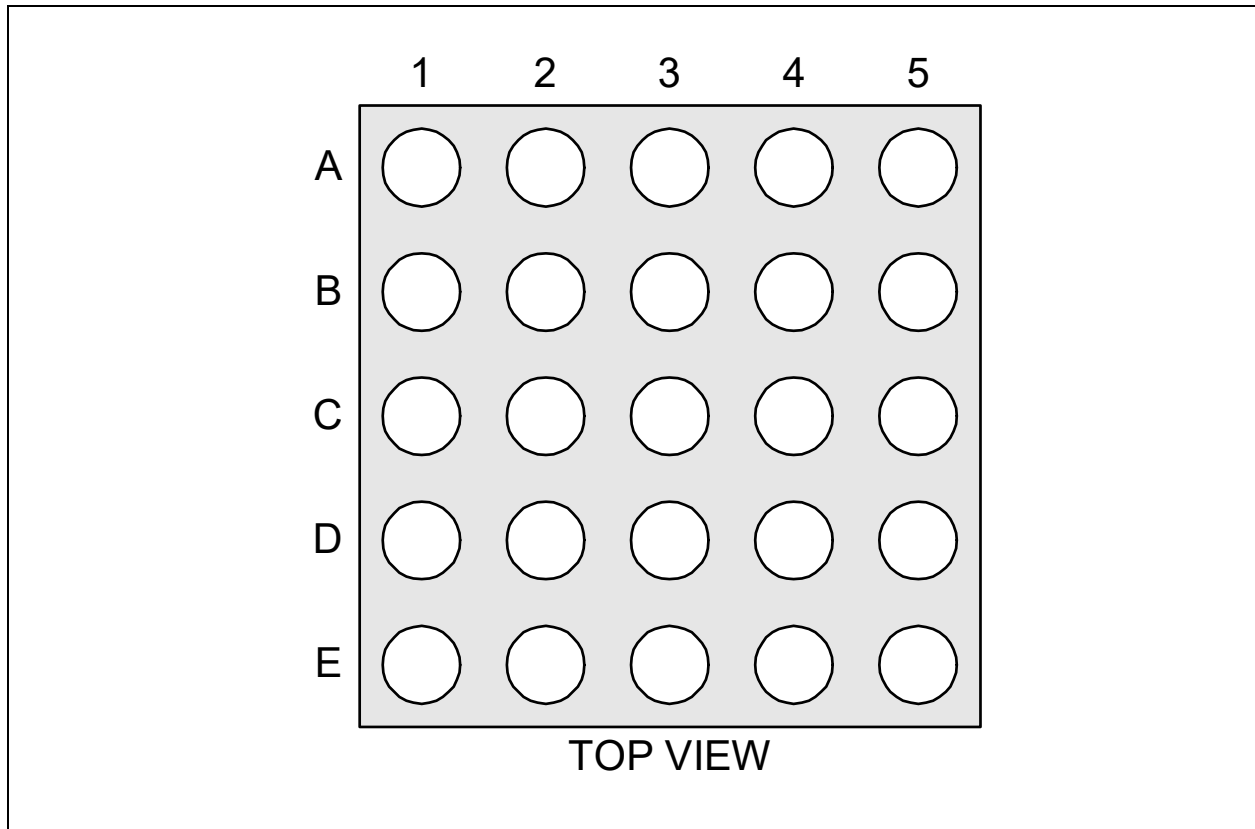
1. I<sup>2</sup>C is a registered trademark of Philips Corporation.

## 3.0 USB3503 PIN DEFINITIONS

### 3.1 Pin Configuration

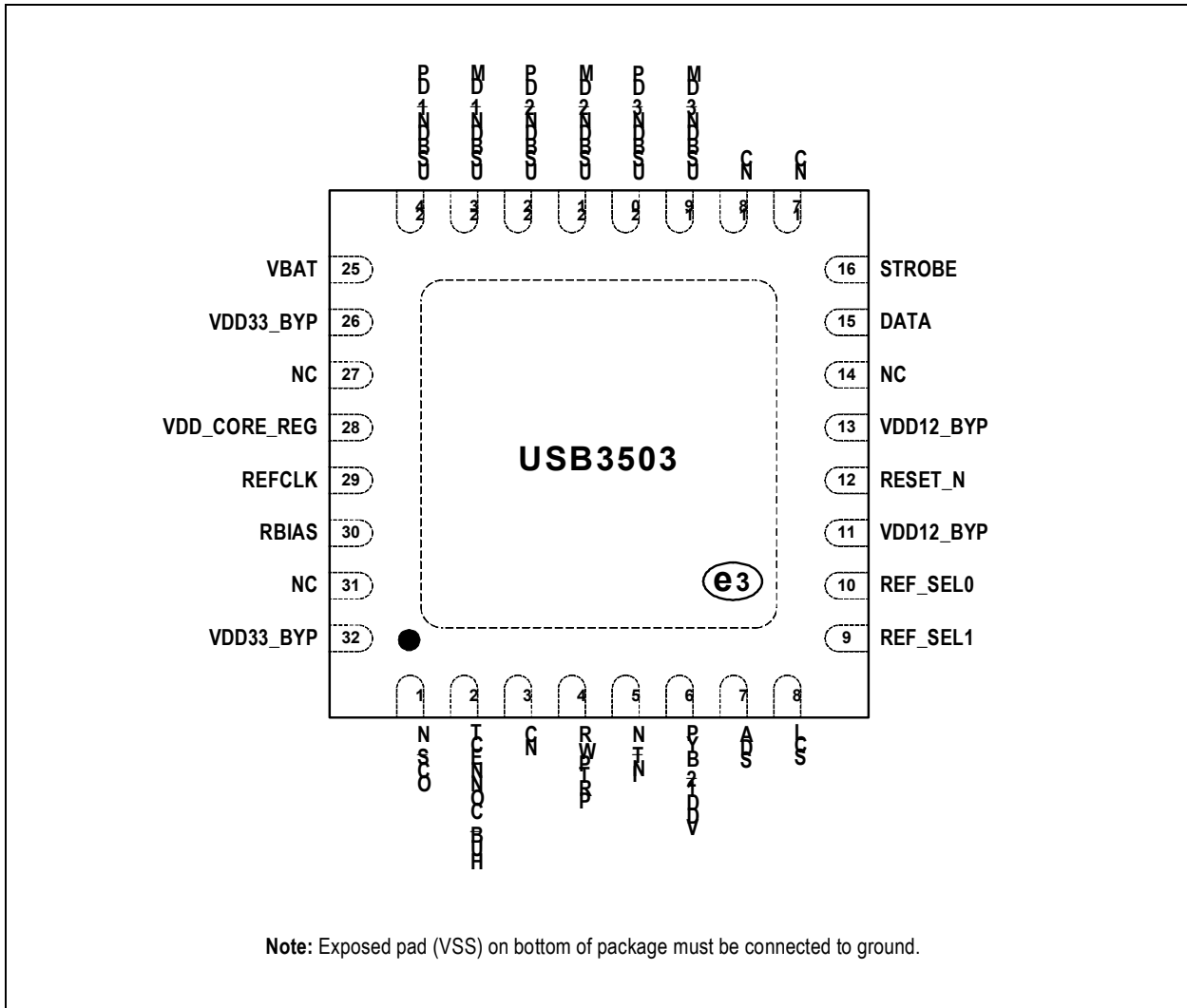
Figure 3-1 details the 25-ball WLCSP package. Figure 3-2 details the 32-pin SQFN package pin configuration. Signal definitions are provided in Section 3.2.

**FIGURE 3-1: USB3503 25-BALL WLCSP PACKAGE**



# USB3503

FIGURE 3-2: USB3503 32-PIN SQFN PACKAGE





## 3.2 Signal Definitions

WLCSP Ball	SQFN Pin	Name	Description
E2	15	DATA	Upstream HSIC DATA pin of the USB Interface
E1	16	STROBE	Upstream HSIC STROBE pin of the USB Interface
A5	32	VDD33_BYP	3.3 V Regulator Bypass
C4	4	PRTPOWER	Port Power Control Output
B4	1	OCS_N	Over Current Sense Input
A1	24	USBDN1_DP	USB downstream Port 1 D+ data pin
B1	23	USBDN1_DM	USB downstream Port 1 D- data pin
C2	22	USBDN2_DP	USB downstream Port 2 D+ data pin
D2	21	USBDN2_DM	USB downstream Port 2 D- data pin
C1	20	USBDN3_DP	USB downstream Port 3 D+ data pin
D1	19	USBDN3_DM	USB downstream Port 3 D- data pin
E5	8	SCL	I <sup>2</sup> C clock input
D5	7	SDA	I <sup>2</sup> C bi-directional data pin
E3	12	RESET_N	Active low reset signal
B5	2	HUB_CONNECT	Hub Connect
C5	5	INT_N	Active low interrupt signal
D4	9	REF_SEL1	Reference Clock Select 1 input
E4	10	REF_SEL0	Reference Clock Select 0 input
B3	29	REFCLK	Reference Clock input
A4	30	RBIAS	Bias Resistor pin
D3	6,11,13	VDD12_BYP	1.2 V Regulator
A2	26	VDD33_BYP	3.3 V Regulator
B2	25	VBAT	Voltage input from the battery supply
A3	28	VDD_CORE_REG	Power supply input to 1.2V regulator for digital logic core
C3	e-pad	VSS	Ground
-	3,14,17,18,27,31	NC	No connect

# USB3503

## 3.3 Pin Descriptions

This section provides a detailed description of each signal. The signals are arranged in functional groups according to their associated interface.

The terms assertion and negation are used. This is done to avoid confusion when working with a mixture of “active low” and “active high” signal. The term “assert”, or “assertion” indicates that a signal is active, independent of whether that level is represented by a high or low voltage. The term “negate”, or “negation” indicates that a signal is inactive.

### 3.3.1 PIN DEFINITION

**TABLE 3-1: PIN DESCRIPTIONS**

Name	Symbol	Type	Description
<b>UPSTREAM HIGH SPEED INTER-CHIP INTERFACE</b>			
HSIC Clock/Strobe	STROBE	I/O	HSIC Upstream Hub Strobe pin
HSIC Data	DATA	I/O	HSIC Upstream Hub Data pin
High-Speed USB Data & Port Disable Strap Option	USBDN_DP[2:1] & USBDN_DM[2:1]	A-I/O	These pins connect to the downstream USB peripheral devices attached to the hub's ports
			Downstream Port Disable Strap option:  This pin will be sampled at RESET_N negation to determine if the port is disabled.  Both USB data pins for the corresponding port must be tied to VDD33_BYP to disable the associated downstream port.
HS USB Data	USBDN_DP[3] & USBDN_DM[3]	A-I/O	These pins connect to the downstream USB peripheral devices attached to the hub's ports.
			<b>There is no downstream Port Disable Strap option on these ports.</b>
<b>SERIAL PORT INTERFACE</b>			
Serial Data	SDA	I/OD	I <sup>2</sup> C Serial Data
Serial Clock	SCL	I	Serial Clock (SCL)
Interrupt	INT_N	OD	<p>Interrupt The function of this pin is determined by the setting in the CFGP.INTSUSP configuration register.</p> <p>When CFGP.INTSUSP = 0 (General Interrupt) A transition from high to low identifies when one of the interrupt enabled status registers has been updated. SOC must update the Serial Port Interrupt Status Register to reset the interrupt pin high.</p> <p>When CFGP.INTSUSP = 1 (Suspend Interrupt) Indicates USB state of the hub. 'Asserted' low = Unconfigured or configured and in USB Suspend 'Negated' high = Hub is configured, and is active (i.e., not in suspend)</p> <p>If unused, this pin must be tied to <b>VDD33_BYP</b>.</p>

**TABLE 3-1: PIN DESCRIPTIONS (CONTINUED)**

Name	Symbol	Type	Description
Over Current Sense	OCS_N	I	Over Current Sense - Input from external current monitor indicating an over-current condition on port 3 or on ganged supply.  Negated High = No over current fault detected Asserted Low = Over Current Fault Reported
Port Power	P RTPWR	OD	Port Power Control- Enables power to USB peripheral devices downstream on port 3 or on ganged supply.  Asserted High = External Device should provide power for port(s). Negated Low = External Device should disable power to port(s).
<b>MISC</b>			
Reference Clock Input	REFCLK	I	Reference clock input.
Reference Clock Select	REF_SEL[1:0]	I	The reference select input must be set to correspond to the frequency applied to the REFCLK input. The customer should tie these pins to ground or VDD33_BYP. This input is latched during HUB.Init stage.  Selects input reference clock frequency per <a href="#">Table 3-3</a> .
RESET Input	RESET_N	I	This active low signal is used by the system to reset the chip and hold the chip in low power STANDBY MODE.
USB Transceiver Bias	RBIAS	A-I/O	A 12.0kΩ (+/- 1%) resistor is attached from ground to this pin to set the transceiver's internal bias settings.
Hub Connect	HUB_CONNECT	I	Hub will transition to the Hub Communication Stage when this pin is asserted high. It can be used in three different ways:  Tied to Ground - Hub will not transition to the Hub Communication Stage until connect_n bit of the SP_ILOCK register is negated.  Tied to <b>VDD33_BYP</b> - Hub will automatically transition to the Hub Communication Stage regardless of the setting of the connect_n bit and without pausing for the SOC to reference status registers.  Transition from low to high - Hub will transition to the Hub Communication Stage after this pin transitions from low to high. HUB_CONNECT should never be driven high when USB3503 is in Standby Mode.

# USB3503

**TABLE 3-1: PIN DESCRIPTIONS (CONTINUED)**

Name	Symbol	Type	Description
<b>POWER</b>			
1.2V VDD Power	VDD12_BYP	Power	1.2 V Regulator. A 1.0 $\mu$ F (<1 $\Omega$ ESR) capacitor to ground is required for regulator stability. The capacitor should be placed as close as possible to the USB3503.
3.3V VDD Power	VDD33_BYP	Power	3.3V Regulator. A 4.7 $\mu$ F (<1 $\Omega$ ESR) capacitor to ground is required for regulator stability. The capacitor should be placed as close as possible to the USB3503.
Core Power Supply Input	VDD_CORE_REG	Power	Power supply to 1.2V regulator.  This power pin should be connected to VDD33_BYP for single supply applications.  Refer to <b>Section 9.0 “Integrated Power Regulators”</b> for power supply configuration options.
Battery Power Supply Input	VBAT	Power	Battery power supply.  Refer to <b>Section 9.0 “Integrated Power Regulators”</b> for power supply configuration options.
VSS	VSS	Ground	Ground

## 3.3.2 I/O TYPE DESCRIPTIONS

**TABLE 3-2: USB3503 I/O TYPE DESCRIPTIONS**

I/O Type	Description
I	Digital Input.
OD	Digital Output. Open Drain.
I/O	Digital Input or Output.
A-I/O	Analog Input or Output.
Power	DC input or Output.
Ground	Ground.

## 3.3.3 REFERENCE CLOCK

The REFCLK input is can be driven with a square wave from 0 V to VDD33\_BYP. The USB3503 only uses the positive edge of the clock. The duty cycle is not critical.

The USB3503 is tolerant to jitter on the reference clock. The REFCLK jitter should be limited to a peak to peak jitter of less than 1 ns over a 10  $\mu$ s time interval. If this level of jitter is exceeded the USB3503 high speed eye diagram may be degraded.

To select the REFCLK input frequency, the REF\_SEL pins must be set according to [Table 3-3](#) and [Table 3-4](#). To select the primary REFCLK frequencies defined in [Table 3-3](#), INT\_N must be sampled high during the Hub.Init stage. If the INT\_N pin is not used, the INT\_N pin should be tied to VDD33\_BYP. To select the secondary REFCLK frequencies defined in [Table 3-4](#), INT\_N must be sampled low during the Hub.Init stage. If the INT\_N pin is not used, the INT\_N pin should be tied to ground. Since the INT\_N pin is open-drain during normal function, selecting the secondary REFCLK frequencies requires that the INT\_N pin be driven low from an external source during Hub.Init and then, after startup, that external source must turn into an input to receive the INT\_N signal.

**TABLE 3-3: USB3503 PRIMARY REFERENCE CLOCK FREQUENCIES**

REF_SEL[1:0]	Frequency (MHz)
'00'	38.4
'01'	26.0
'10'	19.2
'11'	12.0

**TABLE 3-4: USB3503 SECONDARY REFERENCE CLOCK FREQUENCIES**

REF_SEL[1:0]	Frequency (MHz)
'00'	24.0
'01'	27.0
'10'	25.0
'11'	50.0

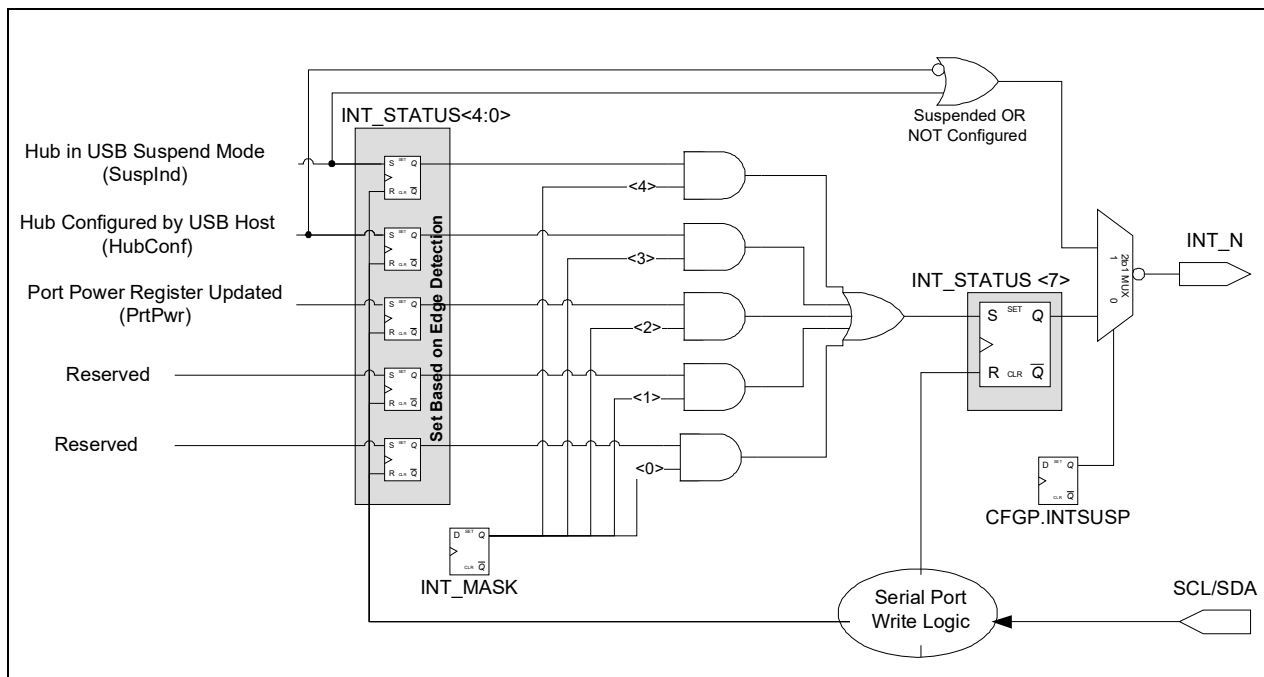
### 3.3.4 INTERRUPT

The general interrupt pin (INT\_N) is intended to communicate a condition change within the hub. The conditions that may cause an interrupt are captured within a register mapped to the serial port (Register E8h: Serial Port Interrupt Status - INT\_STATUS). The conditions that cause the interrupt to assert can be controlled through use of an interrupt mask register (Register E9h: Serial Port Interrupt Mask - INT\_MASK).

The general interrupt and all interrupt conditions are functionally latched and event driven. Once the interrupt or any of the conditions have asserted, the status bit will remain asserted until the SOC negates the bit using the serial port. The bits will then remain negated until a new event condition occurs. The latching nature of the register causes the status to remain even if the condition that caused the interrupt ceases to be active. The event driven nature of the register causes the interrupt to only occur when a new event occurs- when a condition is removed and then is applied again.

The function of the interrupt and the associated status and masking registers are illustrated in [Figure 3-3](#). Registers & Register bits shown in the figure are defined in [Table 5-2, "Serial Interface Registers,"](#) on page 19.

**FIGURE 3-3: INT\_N OPERATION**



# USB3503

---

Figure 3-3 also shows an alternate configuration option (CFGP.INTSUSP) for a suspend interrupt. This option allows the user to change the behavior of the INT\_N pin to become a direct level indication of configuration and suspend status. When selected, the INT\_N indicates that the entire hub has entered the USB suspend state.

**Note:** Because INT\_N is driven low when active, care must be taken when selecting the external pullup resistor value for this open drain output. A sufficiently large resistor must be selected to insure suspend current requirements can be satisfied for the system.

## 4.0 MODES OF OPERATION

The USB3503 provides two modes of operation - Standby Mode and Hub Mode - which balance power consumption with functionality. The operating mode of the USB3503 is selected by setting values on primary inputs according to the table below.

**TABLE 4-1: CONTROLLING MODES OF OPERATION**

RESET_N Input	Resulting Mode	Summary
0	Standby	Lowest Power Mode – no function other than monitoring RESET_N input to move to higher states. All regulators are powered off.
1	Hub	Full Feature Mode - Operates as a configurable USB hub. Power consumption based on how many ports are active, at what speeds they are running and amount of data transferred.

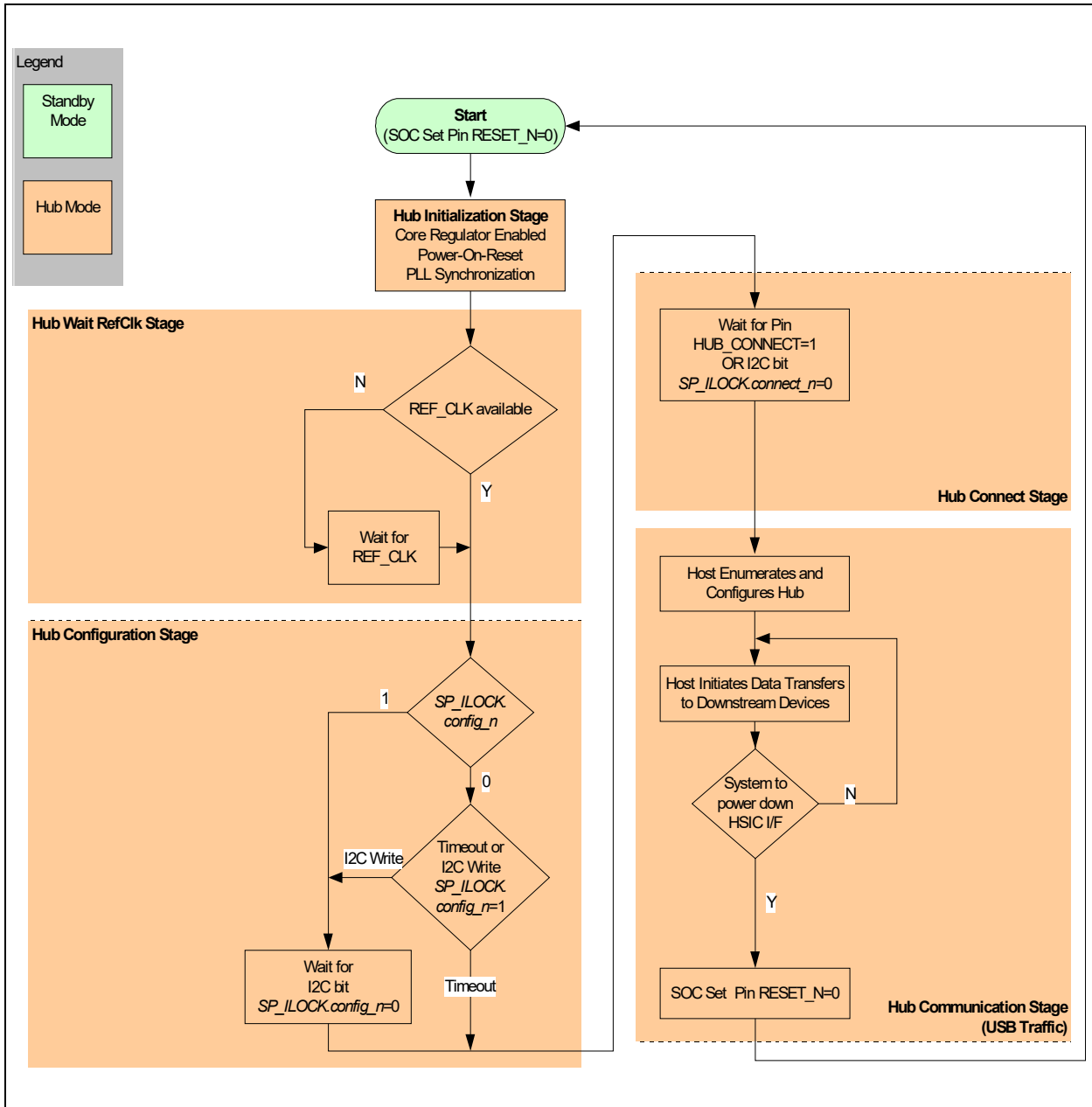
### 4.1 Operational Mode Flowchart

The flowchart in [Figure 4-1](#) shows the modes of operation. It also shows how the USB3503 traverses through the Hub mode stages (shown in bold.) The flow of control is dictated by control register bits shown in *Italics* as well as other events such as availability of reference clock. Refer to [Section 5.3, "Serial Interface Register Definitions," on page 21](#) for the detailed definition of the control register bits. In this specification register bits are referenced using the syntax <Register>.<RegisterBit>. A summary of all registers can be found in [Table 5-2, "Serial Interface Registers," on page 19](#).

The remaining sections in this chapter provide more detail on each stage and mode of operation.

# USB3503

FIGURE 4-1: MODES OF OPERATION FLOWCHART





## 4.2 Standby Mode

Standby Mode provides a very low power state for maximum power efficiency when no signaling is required. This is the lowest power state. In Standby Mode all internal regulators are powered off, the PLL is not running, and core logic is powered down in order to reduce power. Because core logic is powered off, no configuration settings are retained in this mode and must be re-initialized after RESET\_N is negated high.

### 4.2.1 EXTERNAL HARDWARE RESET\_N

A valid hardware reset is defined as an assertion of RESET\_N low for a minimum of 100us after all power supplies are within operating range. While reset is asserted, the Hub (and its associated external circuitry) enters STANDBY MODE and consumes extremely low current as defined in [Table 10-5](#) and [Table 10-6](#).

Assertion of RESET\_N (external pin) causes the following:

- All downstream ports are disabled.
- All transactions immediately terminate; no states are saved.
- All internal registers return to the default state.
- The PLL is halted.

After RESET\_N is negated high in the Hub.Init stage, the Hub reads customer-specific data from the ROM.

## 4.3 Hub Mode

Hub Mode provides functions of configuration and high speed USB hub operation including connection and communication. Upon entering Hub Mode and initializing internal logic, the device passes through several sequential stages based on a fixed time interval.

### 4.3.1 HUB INITIALIZATION STAGE (HUB.INIT)

The first stage is the initialization stage and occurs when Hub mode is entered based on the conditions in [Table 4-1](#). In this stage the 1.2V regulator is enabled and stabilizes, internal logic is reset, and the PLL locks if a valid REFCLK is supplied. Configuration registers are initialized to their default state and REF\_SEL[1:0] input values are latched. The USB3503 will complete initialization and automatically enter the next stage after  $T_{hubinit}$ . Because the digital logic within the device is not yet stable, no communication with the device using the serial port is possible. Configuration registers are initialized to their default state.

### 4.3.2 HUB WAIT REFCLK STAGE (HUB.WAITREF)

During this stage the serial port is not functional.

If the reference clock is provided before entering hub mode, the USB3503 will transition to the Hub Configuration stage without pausing in the Hub Wait RefClk stage. Otherwise, the USB3503 will transition to the Hub configuration stage once a valid reference clock is supplied and the PLL has locked.

### 4.3.3 HUB CONFIGURATION STAGE (HUB.CONFIG)

In this stage, the SOC has an opportunity to control the configuration of the USB3503 and modify any of the default configuration settings specified in the integrated ROM. These settings include USB device descriptors, port electrical settings such as PHY BOOST, and control features. The SOC implements the changes using the serial slave port interface to write configuration & control registers.

See [Section 5.3.29, "Register E7h: Serial Port Interlock Control - SP\\_ILOCK," on page 29](#) for definition of SP\_ILOCK register and how it controls progress through hub stages. If the SP\_ILOCK.config\_n bit has its default asserted low and the bit is not written by the serial port, then the USB3503 completes configuration without any I<sup>2</sup>C intervention.

If the SP\_ILOCK.config\_n bit has its default negated high or the SOC negates the bit high using the serial port during  $T_{hubconfig}$ , the USB3503 will remain in the Hub Configuration Stage indefinitely. This will allow the SOC to update other configuration and control registers without any remaining time-out restrictions. Once the SP\_ILOCK.config\_n bit is asserted low by the SOC the device will transition to the next stage.

# USB3503

## 4.3.4 HUB CONNECT STAGE (HUB.CONNECT)

Next, the USB3503 enters the Hub Connect Stage. See [Section 5.3.32, "Register EEh: Configure Portable Hub - CFGP," on page 31](#) and [Section 5.3.29, "Register E7h: Serial Port Interlock Control - SP\\_ILOCK," on page 29](#) for definition of control registers which affect how the device transitions through the hub stages.

By using the appropriate controls, the USB3503 can be set to immediately transition, or instead to remain in the Hub Connect Stage indefinitely until one of the SOC handshake events occur. When set to wait on the handshake, the SOC may read or update any of the serial port registers. Once the SOC finishes accessing registers and is ready for USB communication to start, it can perform one of the selected handshakes which that cause the USB3503 to connect within  $T_{\text{hubconnect}}$  and transition to the Hub Communication Stage.

## 4.3.5 HUB COMMUNICATION STAGE (HUB.COM)

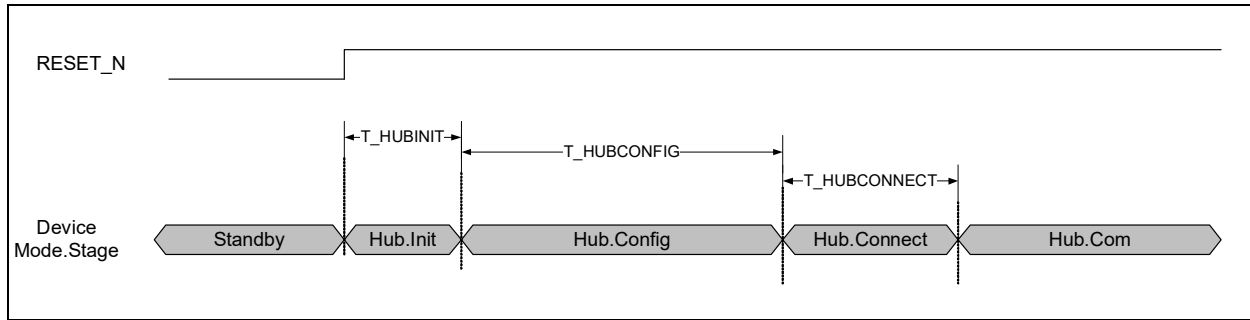
Once it exits the Hub Connect Stage, the USB3503 enters Hub Communication Stage. In this stage full USB operation is supported under control of the USB Host on the upstream port. The USB3503 will remain in the Hub Communication Stage until the operating mode is changed by the system asserting RESET\_N low.

While in the Hub Communication Stage, communication over the serial port is no longer supported and the resulting behavior of the serial port if accessed is undefined. In order to re-enable the serial port interface, the device must exit Hub Communication Stage. Exiting this stage is only possible by entering Standby mode.

## 4.3.6 HUB MODE TIMING DIAGRAM

The following timing diagram shows the progression through the stages of Hub Mode and the associated timing parameters.

**FIGURE 4-2: TIMING DIAGRAM FOR HUB STAGES**



The following table lists the timing parameters associated with the stages of the Hub Mode.

**TABLE 4-2: TIMING PARAMETERS FOR HUB STAGES**

Characteristic	Symbol	MIN	TYP	MAX	Units	Conditions
Hub Initialization Time	$T_{\text{HUBINIT}}$		3	4	ms	
Hub Configuration Time-out	$T_{\text{HUBCONFIG}}$	94	95	96	ms	
Hub Connect Time	$T_{\text{HUBCONNECT}}$	0	1	10	us	

## 5.0 CONFIGURATION OPTIONS

### 5.1 Hub Configuration Options

The Hub supports a number of features (some are mutually exclusive), and must be configured in order to correctly function when attached to a USB host controller. There are two principal ways to configure the hub: by writing to configuration registers using the serial slave port, or by internal default settings. Any configuration registers which are not written by the serial slave retain their default settings.

#### 5.1.1 MULTI/SINGLE TT

The USB 2.0 Hub is fully specification compliant to the Universal Serial Bus Specification Revision 2.0 April 27,2000 (12/7/2000 and 5/28/2002 Errata). Please reference Chapter 11 (Hub Specification) for general details regarding Hub operation and functionality.

For performance reasons, the Hub provides 1 Transaction Translator (TT) per port (defined as Multi-TT configuration), and each TT has 1512 bytes of periodic buffer space and 272 Bytes of non- periodic buffer space (divided into 4 non-periodic buffers per TT), for a total of 1784 bytes of buffer space for each Transaction Translator.

When configured as a Single-TT Hub (required by USB 2.0 Specification), the Single Transaction Translator will have 1512 bytes of periodic buffer space and 272 bytes of non-periodic buffer space (divided into 4 non-periodic buffers per TT), for a total of 1784 bytes of buffer space for the entire Transaction Translator. **Each Transaction Translator's buffer is divided as shown in Table 5-1, "Transaction Translator Buffer Chart".**

**TABLE 5-1: TRANSACTION TRANSLATOR BUFFER CHART**

Periodic Start-Split Descriptors	256 Bytes
Periodic Start-Split Data	752 Bytes
Periodic Complete-Split Descriptors	128 Bytes
Periodic Complete-Split Data	376 Bytes
Non-Periodic Descriptors	16 Bytes
Non-Periodic Data	256 Bytes
Total for each Transaction Translator	1784 Bytes

### 5.2 Default Serial Interface Register Memory Map

The Serial Interface Registers are used to customize the USB3503 for specific applications. Reserved registers or reserved bits within a defined register should not be written to non-default values or undefined behavior may result.

**TABLE 5-2: SERIAL INTERFACE REGISTERS**

REG ADDR	R/W	Register Name	Abbreviation	Section
00h	R/W	VID LSB	VIDL	<a href="#">5.3.1, page 21</a>
01h	R/W	VID MSB	VIDM	<a href="#">5.3.2, page 21</a>
02h	R/W	PID LSB	PIDL	<a href="#">5.3.3, page 21</a>
03h	R/W	PID MSB	PIDM	<a href="#">5.3.4, page 21</a>
04h	R/W	DID LSB	DIDL	<a href="#">5.3.5, page 21</a>
05h	R/W	DID MSB	DIDM	<a href="#">5.3.6, page 21</a>
06h	R/W	Config Data Byte 1	CFG1	<a href="#">5.3.7, page 22</a>
07h	R/W	Config Data Byte 2	CFG2	<a href="#">5.3.8, page 23</a>
08h	R/W	Config Data Byte 3	CFG3	<a href="#">5.3.9, page 23</a>
09h	R/W	Non-Removable Devices	NRD	<a href="#">5.3.10, page 24</a>
0Ah	R/W	Port Disable (Self)	PDS	<a href="#">5.3.11, page 24</a>
0Bh	R/W	Port Disable (Bus)	PDB	<a href="#">5.3.12, page 25</a>
0Ch	R/W	Max Power (Self)	MAXPS	<a href="#">5.3.13, page 25</a>

# USB3503

**TABLE 5-2: SERIAL INTERFACE REGISTERS (CONTINUED)**

REG ADDR	R/W	Register Name	Abbreviation	Section
0Dh	R/W	Max Power (Bus)	MAXPB	<a href="#">5.3.14, page 25</a>
0Eh	R/W	Hub Controller Max Current (Self)	HCMCS	<a href="#">5.3.15, page 26</a>
0Fh	R/W	Hub Controller Max Current (Bus)	HCMCB	<a href="#">5.3.16, page 26</a>
10h	R/W	Power-on Time	PWRT	<a href="#">5.3.17, page 26</a>
11h	R/W	LANG_ID_H	LANGIDH	<a href="#">5.3.18, page 26</a>
12h	R/W	LANG_ID_L	LANGIDL	<a href="#">5.3.19, page 26</a>
13h	R/W	MFR_STR_LEN	MFRSL	<a href="#">5.3.20, page 26</a>
14h	R/W	PRD_STR_LEN	PRDSL	<a href="#">5.3.21, page 27</a>
15h	R/W	SER_STR_LEN	SERSL	<a href="#">5.3.22, page 27</a>
16h-53h	R/W	MFR_STR	MANSTR	<a href="#">5.3.23, page 27</a>
54h-91h	R/W	PROD_STR	PRDSTR	<a href="#">5.3.24, page 27</a>
92h-CFh	R/W	SER_STR	SERSTR	<a href="#">5.3.25, page 27</a>
D0h	R/W	Downstream Battery Charging	BC_EN	<a href="#">5.3.26, page 28</a>
D1-E1h	R/W	Reserved	N/A	
E2h	R/W	Reserved	N/A	
E3-E4h	R/W	Reserved	N/A	
E5h	R	Port Power Status	PRTPWR	<a href="#">5.3.27, page 28</a>
E6h	R/W	Over Current Sense Control	OCS	<a href="#">5.3.28, page 29</a>
E7h	R/W	Serial Port Interlock Control	SP_ILOCK	<a href="#">5.3.29, page 29</a>
E8h	R/W	Serial Port Interrupt Status	INT_STATUS	<a href="#">5.3.30, page 30</a>
E9h	R/W	Serial Port Interrupt Mask	INT_MASK	<a href="#">5.3.31, page 31</a>
EAh-EDh	R/W	Reserved	N/A	
EEh	R/W	Configure Portable Hub	CFGP	<a href="#">5.3.32, page 31</a>
EFh-F3h	R	Reserved	N/A	
F4h	R/W	Varisense_Up3	VSNSUP3	<a href="#">5.3.33, page 32</a>
F5h	R/W	Varisense_21	VSNS21	<a href="#">5.3.34, page 32</a>
F6h	R/W	Boost_Up3	BSTUP3	<a href="#">5.3.35, page 32</a>
F7h	R/W	Reserved	N/A	
F8h	R/W	Boost_21	BST21	<a href="#">5.3.36, page 33</a>
F9h	R/W	Reserved	N/A	
FAh	R/W	Port Swap	PRTSP	<a href="#">5.3.37, page 33</a>
FBh	R/W	Port Remap 12	PRTR12	<a href="#">5.3.38, page 34</a>
FCh	R/W	Port Remap 34	PRTR34	<a href="#">5.3.39, page 35</a>
FDh	R/W	Reserved	N/A	
FEh	R/W	Reserved	N/A	
FFh	R/W	I <sup>2</sup> C Status/Command	STCD	<a href="#">5.3.40, page 35</a>

## 5.3 Serial Interface Register Definitions

### 5.3.1 REGISTER 00H: VENDOR ID (LSB) - VIDL

Default = 0x24h - Corresponds to Vendor ID.

Bit Number	Bit Name	Description
7:0	VID_LSB	Least Significant Byte of the Vendor ID. This is a 16-bit value that uniquely identifies the Vendor of the user device (assigned by USB-Interface Forum). This field is set by the customer using the serial interface options.

### 5.3.2 REGISTER 01H: VENDOR ID (MSB) - VIDM

Default = 0x04h - Corresponds to Vendor ID.

Bit Number	Bit Name	Description
7:0	VID_MSB	Most Significant Byte of the Vendor ID. This is a 16-bit value that uniquely identifies the Vendor of the user device (assigned by USB-Interface Forum). This field is set by the customer using serial interface options.

### 5.3.3 REGISTER 02H: PRODUCT ID (LSB) - PIDL

Default = 0x03h - Corresponds to USB part number for 3-port device.

Bit Number	Bit Name	Description
7:0	PID_LSB	Least Significant Byte of the Product ID. This is a 16-bit value that the Vendor can assign that uniquely identifies this particular product (assigned by customer). This field is set by the customer using the serial interface options.

### 5.3.4 REGISTER 03H: PRODUCT ID (MSB) - PIDM

Default = 0x35h Corresponds to 3503 device.

Bit Number	Bit Name	Description
7:0	PID_MSB	Most Significant Byte of the Product ID. This is a 16-bit value that the Vendor can assign that uniquely identifies this particular product (assigned by customer). This field is set by the customer using the serial interface options.

### 5.3.5 REGISTER 04H: DEVICE ID (LSB) - DIDL

Default = 0xA0h

Bit Number	Bit Name	Description
7:0	DID_LSB	Least Significant Byte of the Device ID. This is a 16-bit device release number in BCD format (assigned by customer). This field is set by the customer using the serial interface options.

### 5.3.6 REGISTER 05H: DEVICE ID (MSB) - DIDM

Default = 0xA1h

Bit Number	Bit Name	Description
7:0	DID_MSB	Most Significant Byte of the Device ID. This is a 16-bit device release number in BCD format (assigned by customer). This field is set by the customer using the serial interface options.

# USB3503

## 5.3.7 REGISTER 06H: CONFIG\_BYTE\_1 - CFG1

Default = 0x98h - Corresponds to Self Powered, Ganged Port Power

Bit Number	Bit Name	Description
7	SELF_BUS_PWR	<p>Self or Bus Power: Selects between Self- and Bus-Powered operation.</p> <p>The Hub is either Self-Powered or Bus-Powered. When configured as a Bus-Powered device, the Hub consumes less than 100mA of current prior to being configured. After configuration, the Bus-Powered Hub (along with all associated hub circuitry, any embedded devices if part of a compound device, and 100mA per externally available downstream port) must consume no more than 500mA of upstream VBUS current. The current consumption is system dependent, and the customer must ensure that the USB 2.0 specifications are not violated.</p> <p>When configured as a Self-Powered device, &lt;1mA of upstream VBUS current is consumed and all ports are available, with each port being capable of sourcing 500mA of current.</p> <p>This field is set by the customer using the serial interface options.</p> <p>0 = Bus-Powered operation. 1 = Self-Powered operation.</p>
6	Reserved	Reserved
5	Reserved	Reserved
4	MTT_ENABLE	<p>Multi-TT enable: Enables one transaction translator per port operation.</p> <p>Selects between a mode where only one transaction translator is available for all ports (Single-TT), or each port gets a dedicated transaction translator (Multi-TT) {Note: The host may force Single-TT mode only}.</p> <p>0 = single TT for all ports. 1 = one TT per port (multiple TT's supported)</p>
3	Reserved	Reserved
2:1	CURRENT_SENS	<p>Over Current Sense: Selects current sensing on a port-by-port basis, all ports ganged, or none (only for bus-powered hubs) The ability to support current sensing on a port or ganged basis is hardware implementation dependent.</p> <p>00 = Ganged sensing (all ports together). 01 = Individual port-by-port. 1x = Over current sensing not supported. (must only be used with Bus-Powered configurations!)</p>
0	PORT_PWR	<p>Port Power Switching: Enables power switching on all ports simultaneously (ganged), or port power is individually switched on and off on a port-by-port basis (individual). The ability to support power enabling on a port or ganged basis is hardware implementation dependent.</p> <p>0 = Ganged switching (all ports together) 1 = Individual port-by-port switching.</p>

## 5.3.8 REGISTER 07H: CONFIGURATION DATA BYTE 2 - CFG2

Default = 0x20h - Not a Compound Device

Bit Number	Bit Name	Description
7:4	Reserved	Reserved
3	COMPOUND	Compound Device: Allows the customer to indicate that the Hub is part of a compound (see the USB Specification for definition) device. The applicable port(s) must also be defined as having a "Non-Removable Device".  0 = No. 1 = Yes, Hub is part of a compound device.
2:0	Reserved	Reserved

## 5.3.9 REGISTER 08H: CONFIGURATION DATA BYTE 3 - CFG3

Default = 0x03h

Bit Number	Bit Name	Description
7:4	Reserved	Reserved
3	PRTMAP_EN	Port Re-Mapping enable: Selects the method used by the hub to assign port numbers and disable ports  '0' = Standard Mode. The following registers are used to define which ports are enabled, and the ports are mapped as Port "n" on the hub is reported as Port 'n' to the host, unless one of the ports is disabled, then the higher numbered ports are remapped in order to report contiguous port numbers to the host.  <a href="#">Section 5.3.11 Register 0A</a> <a href="#">Section 5.3.12 Register 0B</a>  '1' = Port Re-Map mode. The mode enables remapping via the registers defined below.  <a href="#">Section 5.3.38 Register FB</a> <a href="#">Section 5.3.39 Register FC</a>
2:1	Reserved	Reserved
0	STRING_EN	Enables String Descriptor Support  '0' = String Support Disabled '1' = String Support Enabled

# USB3503

---

## 5.3.10 REGISTER 09H: NON-REMOVABLE DEVICE - NRD

Default = 0x00h

Bit Number	Bit Name	Description
7:0	NR_DEVICE	<p>Non-Removable Device: Indicates which port(s) include non-removable devices. '0' = port is removable '1' = port is non-removable.</p> <p>Informs the Host if one of the active physical ports has a permanent device that is undetachable from the Hub. (Note: The device must provide its own descriptor data.)</p> <p>Bit 7= Reserved Bit 6= Reserved Bit 5= Reserved Bit 4= Reserved Bit 3= Port 3 non-removable. Bit 2= Port 2 non-removable. Bit 1= Port 1 non-removable. Bit 0= Reserved</p>

## 5.3.11 REGISTER 0AH: PORT DISABLE FOR SELF POWERED OPERATION - PDS

Default = 0x00h

Bit Number	Bit Name	Description
7:0	PORT_DIS_SP	<p>Port Disable, Self-Powered: Disables 1 or more ports. '0' = port is available '1' = port is disabled.</p> <p>During Self-Powered operation and PRTMAP_EN = '0', this selects the ports which will be permanently disabled, and are not available to be enabled or enumerated by a Host Controller. The ports can be disabled in any order, the internal logic will automatically report the correct number of enabled ports to the USB Host, and will reorder the active ports in order to ensure proper function.</p> <p>Bit 7= Reserved Bit 6= Reserved Bit 5= Reserved Bit 4= Reserved Bit 3= Port 3 Disable. Bit 2= Port 2 Disable. Bit 1= Port 1 Disable. Bit 0= Reserved</p>



## 5.3.12 REGISTER 0BH: PORT DISABLE FOR BUS POWERED OPERATION - PDB

Default = 0x00h

Bit Number	Bit Name	Description
7:0	PORT_DIS_BP	<p>Port Disable, Bus-Powered: Disables 1 or more ports.</p> <p>'0' = port is available '1' = port is disabled.</p> <p>During Bus-Powered operation and PRTMAP_EN = '0', this selects the ports which will be permanently disabled, and are not available to be enabled or enumerated by a Host Controller. The ports can be disabled in any order, the internal logic will automatically report the correct number of enabled ports to the USB Host, and will reorder the active ports in order to ensure proper function.</p> <p>Bit 7= Reserved Bit 6= Reserved Bit 5= Reserved Bit 4= Reserved Bit 3= Port 3 Disable. Bit 2= Port 2 Disable. Bit 1= Port 1 Disable. Bit 0= Reserved</p>

## 5.3.13 REGISTER 0CH: MAX POWER FOR SELF POWERED OPERATION - MAXPS

Default = 0x01h

Bit Number	Bit Name	Description
7:0	MAX_PWR_SP	<p>Max Power Self_Powered: Value in 2mA increments that the Hub consumes from an upstream port when operating as a self-powered hub. This value includes the hub silicon along with the combined power consumption (from VBUS) of all associated circuitry on the board. This value also includes the power consumption of a permanently attached peripheral if the hub is configured as a compound device, and the embedded peripheral reports 0mA in its descriptors.</p> <p>Example: A value of 8mA would be written to this register as 0x04h</p> <p><b>Note:</b> The USB 2.0 Specification does not permit this value to exceed 100mA</p>

## 5.3.14 REGISTER 0DH: MAX POWER FOR BUS POWERED OPERATION - MAXPB

Default = 0xFAh- Corresponds to 500mA.

Bit Number	Bit Name	Description
7:0	MAX_PWR_BP	<p>Max Power Bus_Powered: Value in 2mA increments that the Hub consumes from an upstream port when operating as a bus-powered hub. This value includes the hub silicon along with the combined power consumption (from VBUS) of all associated circuitry on the board. This value also includes the power consumption of a permanently attached peripheral if the hub is configured as a compound device, and the embedded peripheral reports 0mA in its descriptors.</p> <p>Example: A value of 8mA would be written to this register as 0x04h</p>

# USB3503

## 5.3.15 REGISTER 0EH: HUB CONTROLLER MAX CURRENT FOR SELF POWERED OPERATION - HCMCS

Default = 0x02h Corresponds to 2mA.

Bit Number	Bit Name	Description
7:0	HC_MAX_C_SP	Hub Controller Max Current Self-Powered: Value in 1mA increments that the Hub consumes from an upstream port when operating as a self- powered hub. This value includes the hub silicon along with the combined power consumption (from VBUS) of all associated circuitry on the board. This value does NOT include the power consumption of a permanently attached peripheral if the hub is configured as a compound device. Example: A value of 8mA would be written to this register as 0x08h <b>Note:</b> The USB 2.0 Specification does not permit this value to exceed 100mA

## 5.3.16 REGISTER 0FH: HUB CONTROLLER MAX CURRENT FOR BUS POWERED OPERATION - HCMCB

Default = 0x64h- Corresponds to 100mA.

Bit Number	Bit Name	Description
7:0	HC_MAX_C_BP	Hub Controller Max Current Bus-Powered: Value in 1mA increments that the Hub consumes from an upstream port when operating as a bus- powered hub. Example: A value of 8mA would be written to this register as 0x08h

## 5.3.17 REGISTER 10H: POWER-ON TIME - PWRT

Default = 0x00h - Corresponds to 0ms. Required for a hub with no power switches

Bit Number	Bit Name	Description
7:0	POWER_ON_TIME	Power On Time: The length of time that it takes (in 2 ms intervals) from the time the host initiated power-on sequence begins on a port until power is good on that port. System software uses this value to determine how long to wait before accessing a powered-on port. Setting affects only the hub descriptor field "PwrOn2PwrGood" see <a href="#">Section 7.4, "Class-Specific Hub Descriptor," on page 45.</a>

**Note:** This register represents time from when a host sends a SetPortFeature(PORT\_POWER) request to the time power is supplied through an external switch to a downstream port. It should be set to 0 if no power switch is used- for instance within a compound device.

## 5.3.18 REGISTER 11H: LANGUAGE ID HIGH - LANGIDH

Default = 0x04h - Corresponds to US English code 0x0409h

Bit Number	Bit Name	Description
7:0	LANG_ID_H	USB LANGUAGE ID (Upper 8 bits of a 16 bit ID field)

## 5.3.19 REGISTER 12H: LANGUAGE ID LOW - LANGIDL

Default = 0x09h - Corresponds to US English code 0x0409h

Bit Number	Bit Name	Description
7:0	LANG_ID_L	USB LANGUAGE ID (lower 8 bits of a 16 bit ID field)

## 5.3.20 REGISTER 13H: MANUFACTURER STRING LENGTH - MFRSL

Default = 0x00h

Bit Number	Bit Name	Description
7:0	MFR_STR_LEN	Manufacturer String Length

## 5.3.21 REGISTER 14H: PRODUCT STRING LENGTH - PRDSL

Default = 0x00h

Bit Number	Bit Name	Description
7:0	PRD_STR_LEN	Product String Length

## 5.3.22 REGISTER 15H: SERIAL STRING LENGTH - SERSL

Default = 0x00h

Bit Number	Bit Name	Description
7:0	SER_STR_LEN	Serial String Length

## 5.3.23 REGISTER 16H-53H: MANUFACTURER STRING - MANSTR

Default = 0x00h

Bit Number	Bit Name	Description
7:0	MFR_STR	<p>Manufacturer String, UNICODE UTF-16LE per USB 2.0 Specification</p> <p><b>Note:</b> The String consists of individual 16 Bit UNICODE UTF-16LE characters. The Characters will be stored starting with the LSB at the least significant address and the MSB at the next 8-bit location (subsequent characters must be stored in sequential contiguous address in the same LSB, MSB manner). Please pay careful attention to the Byte ordering or your selected programming tools.</p>

## 5.3.24 REGISTER 54H-91H: PRODUCT STRING - PRDSTR

Default = 0x00h

Bit Number	Bit Name	Description
7:0	PRD_STR	<p>Product String, UNICODE UTF-16LE per USB 2.0 Specification</p> <p><b>Note:</b> The String consists of individual 16 Bit UNICODE UTF-16LE characters. The Characters will be stored starting with the LSB at the least significant address and the MSB at the next 8-bit location (subsequent characters must be stored in sequential contiguous address in the same LSB, MSB manner). Please pay careful attention to the Byte ordering or your selected programming tools.</p>

## 5.3.25 REGISTER 92H-CFH: SERIAL STRING - SERSTR

Default = 0x00h

Bit Number	Bit Name	Description
7:0	SER_STR	<p>Serial String, UNICODE UTF-16LE per USB 2.0 Specification</p> <p><b>Note:</b> The String consists of individual 16 Bit UNICODE UTF-16LE characters. The Characters will be stored starting with the LSB at the least significant address and the MSB at the next 8-bit location (subsequent characters must be stored in sequential contiguous address in the same LSB, MSB manner). Please pay careful attention to the Byte ordering or your selected programming tools.</p>

# USB3503

## 5.3.26 REGISTER D0: DOWNSTREAM BATTERY CHARGING ENABLE - BC\_EN

Default = 0x00h

Bit Number	Bit Name	Description
7:0	BC_EN	<p>Battery Charging Enable: Enables the battery charging feature for the corresponding downstream port.</p> <p>'0' = Downstream Battery Charging support is not enabled. '1' = Downstream Battery charging support is enabled</p> <p>Bit 7= Reserved Bit 6= Reserved Bit 5= Reserved Bit 4= Reserved Bit 3= Port 3 Battery Charging Enable. Bit 2= Port 2 Battery Charging Enable. Bit 1= Port 1 Battery Charging Enable. Bit 0= Reserved</p>

## 5.3.27 REGISTER E5H: PORT POWER STATUS - PRTPWR

Default = 0x00h

Bit Number	Bit Name	Description
7:4	Reserved	Reserved.
3:1	PRTPWR[3:1]	<p>Read Only. Optional status to SOC indicating that power to the downstream port was enabled by the USB Host for the specified port. Not required for an embedded application.</p> <p>This is a read-only status bit. Actual control over port power is implemented by the USB Host, OCS register and Downstream Battery Charging logic if enabled. See <a href="#">Section 8.1.2, "Special Behavior of PRTPWR Register," on page 48</a> for more information.</p> <p>0 = USB Host has not enabled port to be powered or in downstream battery charging and corresponding OCS bit has been set. 1 = USB Host has enabled port to be powered</p>
0	Reserved	Reserved.

## 5.3.28 REGISTER E6H: OVER CURRENT SENSE CONTROL - OCS

Default = 0x00h

Bit Number	Bit Name	Description
7:4	Reserved	Reserved. {Note: Software must never write a '1' to these bits}
3	OCS[3]	When SP_ILOCK.OcsPinSel = 1 Register Bit is reserved. Setting bit has no effect on HUB operation, instead OCS_N device pin controls over current condition reporting.  When SP_ILOCK.OcsPinSel = 0 Optional control from SOC on indicating external current monitor indicating an over-current condition on port 3 for HUB status reporting to USB host. Also resets corresponding PRTPWR status register bit. Not required for an embedded application.  0 = No Over Current Condition 1 = Over Current Condition
2:1	OCS[2:1]	Optional control from SOC on indicating external current monitor indicating an over-current condition on the specified port for HUB status reporting to USB host. Also resets corresponding PRTPWR status register bit. Not required for an embedded application.  0 = No Over Current Condition 1 = Over Current Condition
0	Reserved	Reserved.

## 5.3.29 REGISTER E7H: SERIAL PORT INTERLOCK CONTROL - SP\_ILOCK

Default=0x32h - Corresponds to OCS\_N/PRT\_PWR pins & pausing to connect until write from I<sup>2</sup>C

Bit Number	Bit Name	Description
7:6	Reserved	Reserved
5	OcsPinSel	1= OCS device pin will assume role as an active low Over Current Sense input 0= OCS device pin disabled, register control established
4	PrtPwrPinSel	1=PRTPWR device pin will assume role as an active high Port Power Switch Control output 0=PRTPWR device pin disabled, register control established
3:2	Reserved	Reserved
1	connect_n	The SOC can utilize this bit to control when the hub attempts to connect to the upstream host.  1 = Device will remain in Hub Mode.Connect Stage indefinitely until bit is cleared by the SOC. 0 = Device will transition to the Hub Mode.Communication Stage after this bit is asserted low by default or through a serial port write.

# USB3503

Bit Number	Bit Name	Description
0	config_n	<p>If the SOC intends to update the default configuration using the serial port, this register should be the first register updated by the SOC. In this way the timing dependency between configuration and device operation can be minimized- the SOC is only required to write to Serial Port Interlock Register within <math>T_{hubconfig}</math> and not all the registers it is attempting to configure.</p> <p>Once all registers have been written for the desired configuration, the SOC must clear this bit to '0' for the device to resume normal operation using the new configuration.</p> <p>It may be desirable for the device to initiate autonomous operation with no SOC intervention at all. This is why the default setting is to allow the device to initiate automatic operation if the SOC does not intervene by writing the interlock register within the allotted configuration timeout.</p> <p>1 = Device will remain in Hub Mode.Configuration Stage indefinitely, and allow SOC to write through the serial port to set any desired configuration. 0 = Device will transition out of Hub.Configuration Stage immediately after this bit is asserted low through a serial port write. (A default low assertion results in transition after a timeout.)</p>

## 5.3.30 REGISTER E8H: SERIAL PORT INTERRUPT STATUS - INT\_STATUS

Default = 0x00h

Bit Number	Bit Name	Description
7	Interrupt	<p>Read: 1 = INT_N pin has been asserted low due to unmasked interrupt 0 = INT_N pin has not been asserted low due to unmasked interrupt</p> <p>Write: 1 = No Effect – INT_N pin and register retains its current value 0 = Negate INT_N pin high</p>
6:5	Reserved	Reserved
4	HubSusplnt	<p>Read: 1 = Hub has entered USB suspend 0 = Hub has not entered USB suspend since last HubSusplnt reset</p> <p>Write: 1 = No Effect 0 = Negate HubSusplnt status low</p>
3	HubCfgrnt	<p>Read: 1 = Hub has been configured by USB Host 0 = Hub has not been configured by USB Host since last HubConfInt reset</p> <p>Write: 1 = No Effect 0 = Negate HubConfInt status low</p>
2	PrtPwrInt	<p>Read: 1 = Port Power register has been updated 0 = Port Power register has not been updated since last PrtPwrInt reset</p> <p>Write: 1 = No Effect 0 = Negate PrtPwrInt status low</p>
1:0	Reserved	Reserved

## 5.3.31 REGISTER E9H: SERIAL PORT INTERRUPT MASK - INT\_MASK

Default = 0x00h

Bit Number	Bit Name	Description
7:5	Reserved	Reserved
4	HubSuspMask	1 = INT_N pin is asserted low when Hub enters suspend 0 = INT_N pin is not affected by Hub entering suspend
3	HubCfgMask	1 = INT_N pin is asserted low when Hub configured by USB Host 0 = INT_N pin is not affected by Hub configuration event
2	PrtPwrMask	1 = INT_N pin is asserted low when Port Power register has been updated by USB Host 0 = INT_N pin is not affected by Port Power register
1:0	Reserved	Reserved

## 5.3.32 REGISTER EEH: CONFIGURE PORTABLE HUB - CFGP

Default = 0x00h - Corresponds to 95ms startup & Phone RefClks available

Bit Number	Bit Name	Description
7	ClkSusp	(Read/Write) 1 = Force device to run internal clock even during USB suspend (will cause device to violate USB suspend current limit - intended for test or self-powered applications which require use of serial port during USB session.) 0 = Allow device to gate off its internal clocks during suspend mode in order to meet USB suspend current requirements.
6	IntSusp	(Read/Write) 1 = INT_N pin function is a level sensitive USB suspend interrupt indication. Allows system to adjust current consumption to comply with USB specification limits when hub is in the USB suspend state. 0 = INT_N pin function retains event sensitive role of a general serial port interrupt.  See <a href="#">Section 3.3.4, "Interrupt," on page 13</a> for more information.
5:4	CfgTout	(Read Only) Specifies timeout value for allowing SOC to configure the device. Corresponds to the $T_{hubconfig}$ parameter. See <a href="#">Section TABLE 4-2; "Timing Parameters for Hub Stages"</a> .  '00' = 95ms - Use to meet legacy 100ms connect timing
3	Reserved	Reserved
2:0	Reserved	Reserved

# USB3503

## 5.3.33 REGISTER F4H: VARISENSE\_UP3 - VSNSUP3

Default = 0x00h

Bit Number	Bit Name	Description
7:3	Reserved	Reserved
2:0	DN3_SQUELCH	These two bits control the Squelch setting of the downstream port 3. '000' = Nominal value '001' = 90% of Nominal value '010' = 80% of Nominal value '011' = 70% of Nominal value '100' = 60% of Nominal value '101' = 50% of Nominal value '110' = 120% of Nominal value '111' = 110% of Nominal value

## 5.3.34 REGISTER F5H: VARISENSE\_21 - VSNS21

Default = 0x00h

Bit Number	Bit Name	Description
7	Reserved	Reserved
6:4	DN2_SQUELCH	These two bits control the Squelch setting of the downstream port 2. '000' = Nominal value '001' = 90% of Nominal value '010' = 80% of Nominal value '011' = 70% of Nominal value '100' = 60% of Nominal value '101' = 50% of Nominal value '110' = 120% of Nominal value '111' = 110% of Nominal value
3	Reserved	Reserved
2:0	DN1_SQUELCH	These three bits control the Squelch setting of the downstream port 1. '000' = Nominal value '001' = 90% of Nominal value '010' = 80% of Nominal value '011' = 70% of Nominal value '100' = 60% of Nominal value '101' = 50% of Nominal value '110' = 120% of Nominal value '111' = 110% of Nominal value

## 5.3.35 REGISTER F6H: BOOST\_UP3 - BSTUP3

Default = 0x30h

Bit Number	Bit Name	Description
7:3	Reserved	Reserved
2:0	BOOST_IOUT_3	USB electrical signaling drive strength Boost Bit for Downstream Port '3'. Boosts USB High Speed Current.  3'b000: Nominal 3'b001: -5% 3'b010: +10% 3'b011: +5% 3'b100: +20% 3'b101: +15% 3'b110: +30% 3'b111: +25%



## 5.3.36 REGISTER F8H: BOOST\_21 - BST21

Default = 0x00h

Bit Number	Bit Name	Description
7	Reserved	Reserved
6:4	BOOST_IOUT_2	<p>USB electrical signaling drive strength Boost Bit for Downstream Port '2'. Boosts USB High Speed Current.</p> <p>3'b000: Nominal            3'b001: -5%            3'b010: +10%            3'b011: +5%            3'b100: +20%            3'b101: +15%            3'b110: +30%            3'b111: +25%</p>
3	Reserved	Reserved
2:0	BOOST_IOUT_1	<p>USB electrical signaling drive strength Boost Bit for Downstream Port '1'. Boosts USB High Speed Current.</p> <p>3'b000: Nominal            3'b001: -5%            3'b010: +10%            3'b011: +5%            3'b100: +20%            3'b101: +15%            3'b110: +30%            3'b111: +25%</p>

## 5.3.37 REGISTER FAH: PORT SWAP - PRTSP

Default = 0x00h

Bit Number	Bit Name	Description
7:0	PRTSP	<p>Port Swap: Swaps the Upstream HSIC and Downstream USB DP and DM Pins for ease of board routing to devices and connectors.</p> <p>'0' = USB D+ functionality is associated with the DP pin and D- functionality is associated with the DM pin.            '1' = USB D+ functionality is associated with the DM pin and D- functionality is associated with the DP pin.</p> <p>Bit 7= Reserved            Bit 6= Reserved            Bit 5= Reserved            Bit 4= Reserved            Bit 3= Port 3 DP/DM Swap.            Bit 2= Port 2 DP/DM Swap.            Bit 1= Port 1 DP/DM Swap.            Bit 0= Reserved</p>

# USB3503

## 5.3.38 REGISTER FBH: PORT REMAP 12 - PRTR12

Default = 0x21h - Physical Port is mapped to the corresponding logical port.

Bit Number	Bit Name	Description
7:0	PRTR12	<p>Port remap register for ports 1 &amp; 2.</p> <p>When a hub is enumerated by a USB Host Controller, the hub is only permitted to report how many ports it has, the hub is not permitted to select a numerical range or assignment. The Host Controller will number the downstream ports of the hub starting with the number '1', up to the number of ports that the hub reported having.</p> <p>The host's port number is referred to as "Logical Port Number" and the physical port on the hub is the Physical Port Number". When remapping mode is enabled (see PRTMAP_EN in <a href="#">Section 5.3.9</a>) the hub's downstream port numbers can be remapped to different logical port numbers (assigned by the host.)</p> <p>Note: the customer must ensure that Contiguous Logical Port Numbers are used, starting from #1 up to the maximum number of enabled ports, this ensures that the hub's ports are numbered in accordance with the way a Host will communicate with the ports.</p>
	Bit [7:4] =	'0000' Physical Port 2 is Disabled
		'0001' Physical Port 2 is mapped to Logical Port 1
		'0010' Physical Port 2 is mapped to Logical Port 2
		'0011' Physical Port 2 is mapped to Logical Port 3
		'0100' Reserved, will default to '0000' value
		'0101' Reserved, will default to '0000' value
		to '1111'
	Bit [3:0] =	'0000' Physical Port 1 is Disabled
		'0001' Physical Port 1 is mapped to Logical Port 1
		'0010' Physical Port 1 is mapped to Logical Port 2
		'0011' Physical Port 1 is mapped to Logical Port 3
		'0100' Reserved, will default to '0000' value
		'0101' Reserved, will default to '0000' value
		to '1111'

## 5.3.39 REGISTER FCH: PORT REMAP 34 - PRTR34

Default = 0x03h - Physical port is mapped to corresponding logical port.

Bit Number	Bit Name	Description
7:0	PRTR34	<p>Port remap register for ports 3.</p> <p>When a hub is enumerated by a USB Host Controller, the hub is only permitted to report how many ports it has, the hub is not permitted to select a numerical range or assignment. The Host Controller will number the downstream ports of the hub starting with the number '1', up to the number of ports that the hub reported having.</p> <p>The host's port number is referred to as "Logical Port Number" and the physical port on the hub is the Physical Port Number". When remapping mode is enabled (see PRTMAP_EN in <a href="#">Section 5.3.9</a>) the hub's downstream port numbers can be remapped to different logical port numbers (assigned by the host).</p> <p>Note: the customer must ensure that Contiguous Logical Port Numbers are used, starting from #1 up to the maximum number of enabled ports, this ensures that the hub's ports are numbered in accordance with the way a Host will communicate with the ports.</p>
	Bit [7:4] =	'0000' Reserved – software must not write '1' to any of these bits.
		'0001' to '1111' Reserved, will default to '0000' value
	Bit [3:0] =	'0000' Physical Port 3 is Disabled
		'0001' Physical Port 3 is mapped to Logical Port 1
		'0010' Physical Port 3 is mapped to Logical Port 2
		'0011' Physical Port 3 is mapped to Logical Port 3
		'0100' Reserved, will default to '0000' value Physical Port 3 is mapped to Logical Port 4
		'0101' to '1111' Reserved, will default to '0000' value

## 5.3.40 REGISTER FFH: STATUS/COMMAND - STCD

Default = 0x00h

Bit Number	Bit Name	Description
7:2	Reserved	Reserved {Note: Software must never write a '1' to these bits}
1	RESET	<p>Reset the Serial Interface and internal memory registers in address range 00h-E1h and EFh-FFh back to RESET_N assertion default settings. {Note: During this reset, this bit is automatically cleared to its default value of 0.}</p> <p>0 = Normal Run/Idle State. 1 = Force a reset of the registers to their default state.</p>
0	CONFIG_PROTECT	<p>Protect the Configuration</p> <p>0 = serial slave interface is active. 1 = The internal configuration memory (address range 00h-E1h and EFh-FFh) is "write-protected" to prevent unintentional data corruption.</p> <p>{Note 1: This bit is write once and is only cleared by assertion of the external RESET_N pin.}</p>

# USB3503

## 6.0 SERIAL SLAVE INTERFACE

### 6.1 Overview

The serial slave interface on USB3503 is implemented as I<sup>2</sup>C. It is a standard I<sup>2</sup>C slave interface that operates at the standard (100Kbps), fast (400Kbps), and the fast mode plus (1Mbps) modes.

The USB3503 I<sup>2</sup>C slave interface address is 0x08h.

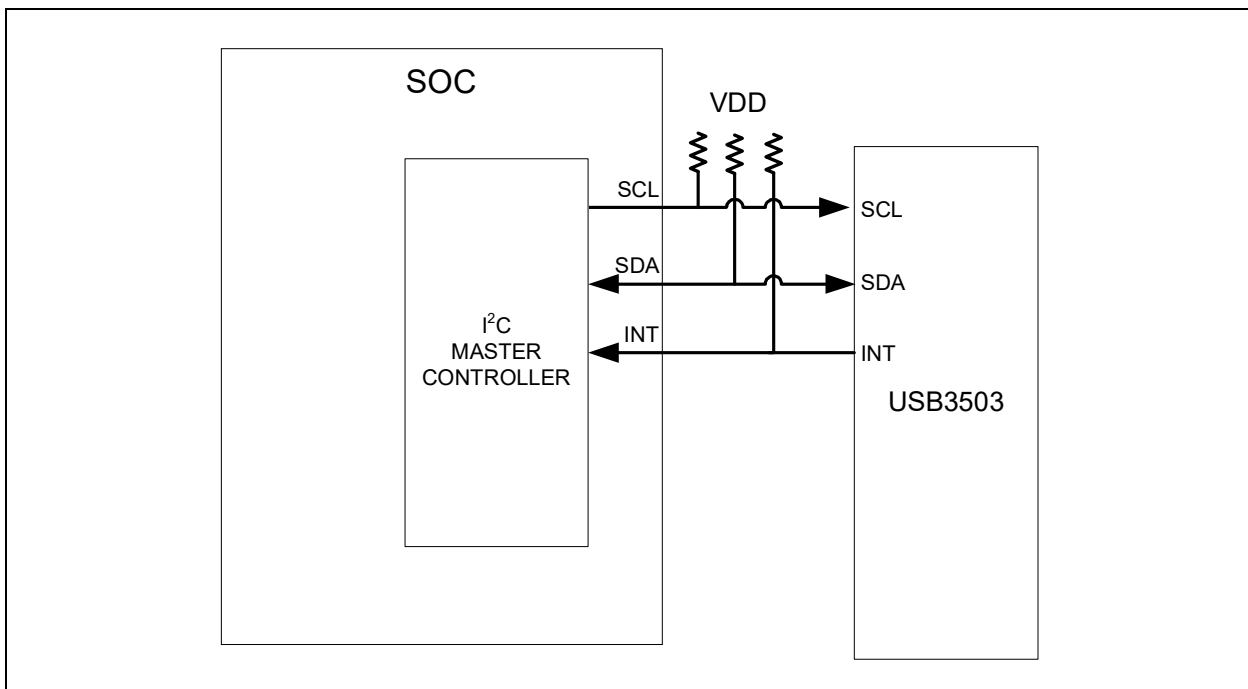
REFCLK must be running for I<sup>2</sup>C to operate. The register map is outlined in section [Section 5.3](#).

The I<sup>2</sup>C Slave Base Address is 0x08. The interrupt pin INT\_N is used to communicate status changes on selected events that are mapped into the Serial Port Interrupt Status Register. INT\_N is asserted low whenever an unmasked bit is set in the Serial Port Interrupt Status Register. SOC must update the Serial Port Interrupt Status Register to negate the interrupt high.

The SOC can mask events to not cause the interrupt pin to transition by updating the Serial Port Interrupt Mask Register. The status events will still be captured in the status register even if the interrupt pin is not asserted. The serial port has limited speed and latency capability so events mapped into the serial ports and its interrupt are not expected to be latency critical.

### 6.2 Interconnecting the USB3503 to an I<sup>2</sup>C Master

FIGURE 6-1: I<sup>2</sup>C CONNECTIONS



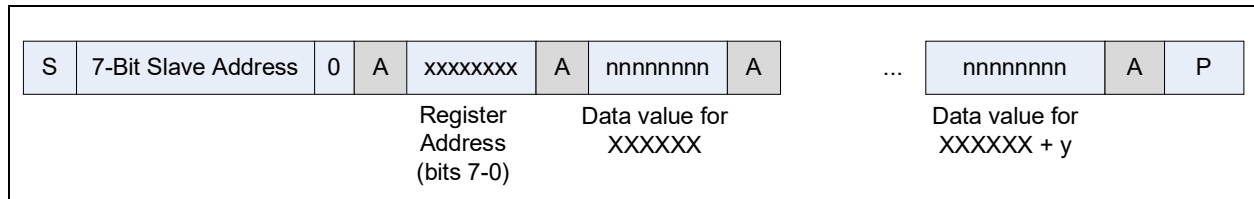
**Note 6-1** The largest pullup values which meet the customer application should be selected in order to minimize power consumption. Pullup values must also have low enough resistance to support the desired I<sup>2</sup>C operating speed with the expected total capacitance in the application. Typical applications are expected to use pullup values between 220Ω and 2.7kΩ for operation at 1MHz on SCL and SDA. Larger pullup resistors may be acceptable for operation at 400KHz or 100KHz.

## 6.3 I<sup>2</sup>C Message format

### 6.3.1 SEQUENTIAL ACCESS WRITES

The I<sup>2</sup>C interface will support sequential writing of the register address space of the USB3503. This mode is useful for configuring contiguous blocks of registers. Please see section on SOC interface for address definitions. Figure 6-2 shows the format of the sequential write operation. Where color is visible in the figure, blue indicates signaling from the I<sup>2</sup>C master, and gray indicates signaling from the USB3503 slave:

**FIGURE 6-2: I<sup>2</sup>C SEQUENTIAL ACCESS WRITE FORMAT**



In this operation, following the 7-bit slave address, an 8-bit register address is written indicating the start address for sequential write operation. Every data access after that is a data write to a data register where the register address increments after each access and ACK from the slave must occur. Sequential write access is terminated by a Stop condition.

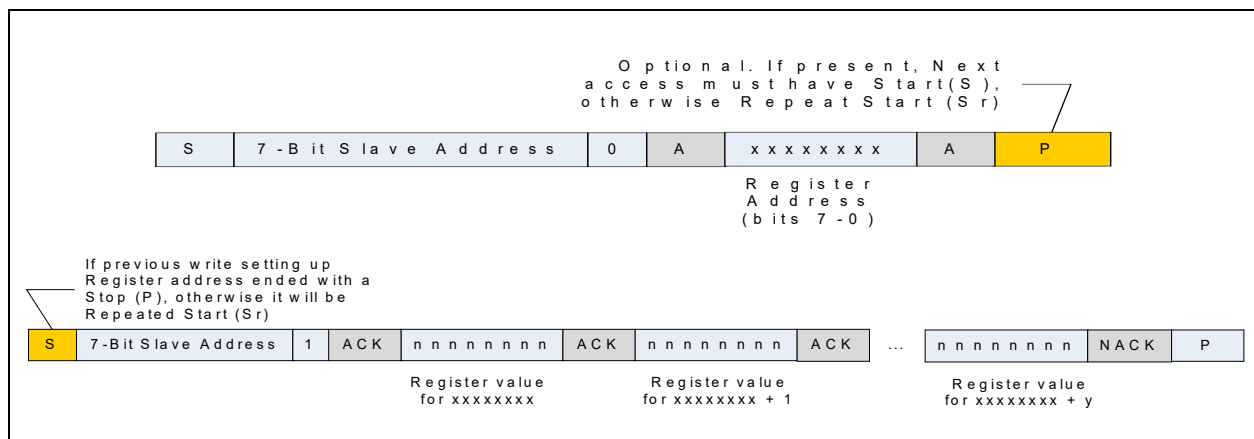
### 6.3.2 SEQUENTIAL ACCESS READS

The I<sup>2</sup>C interface will support direct reading of the USB3503 registers. In order to read one or more register addresses, the starting address must be set by using a write sequence followed by a read. The read register interface supports auto-increment mode. The master should send a NACK instead of an ACK when the last byte has been transferred.

In this operation, following the 7-bit slave address, 8-bit register address is written indicating the start address for sequential read operation to be followed. In the read sequence, every data access is a data read from a data register where the register address increments after each access. Write sequence can end with optional Stop (P). If so the Read sequence must start with a Start (S) otherwise it must start with Repeated Start (Sr).

Figure 6-3 shows the format of the read operation. Where color is visible in the figure, blue and gold indicate signaling from the I<sup>2</sup>C master, and gray indicates signaling from the USB3503 slave.

**FIGURE 6-3: SEQUENTIAL ACCESS READ FORMAT**

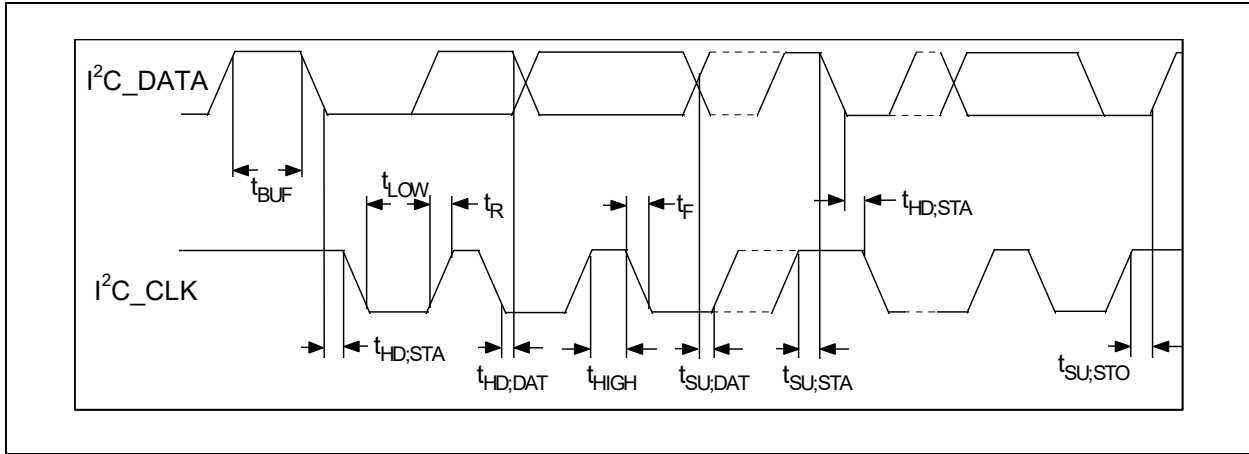


# USB3503

## 6.3.3 I<sup>2</sup>C TIMING

Below is the timing diagram and timing specifications for the different I<sup>2</sup>C modes that the USB3503 supports.

**FIGURE 6-4: I<sup>2</sup>C TIMING DIAGRAM**



**FIGURE 6-5: I<sup>2</sup>C TIMING SPECIFICATIONS**

Symbol	Parameter	Standard-Mode		Fast-Mode		Fast-Mode Plus		Unit
		MIN	MAX	MIN	MAX	MIN	MAX	
f <sub>SCL</sub>	SCL clock frequency	0	100	0	400	0	1000	KHz
t <sub>HD,STA</sub>	Hold time START condition	4		0.6		0.26		μs
t <sub>LOW</sub>	LOW period of the SCL clock	4.7		1.3		0.5		μs
t <sub>HIGH</sub>	HIGH period of the SCL clock	4		0.6		0.26		μs
t <sub>SU,STA</sub>	Set-up time for a repeated START condition	4.7		0.6		0.26		μs
t <sub>HD,DAT</sub>	DATA hold time	0		0		0		ns
t <sub>SU,DAT</sub>	DATA set-up time	250		100		50		ns
t <sub>R</sub>	Rise time of both SDA and SCL signals		1000		300		120	ns
t <sub>F</sub>	Fall time of both SCL and SDA lines		300		300		120	ns
t <sub>SU,STO</sub>	Set-up time for a STOP condition	4		0.6		0.26		μs
t <sub>BUF</sub>	Bus free time between a STOP and START condition	4.7		1.3		0.5		μs

## 7.0 USB DESCRIPTORS

A customer can indirectly affect which descriptors are reported via one of two methods. The two methods are: Internal Default ROM Configuration, or direct load through the serial port interface.

The Hub will not electrically attach to the USB until after it has loaded valid data for all user- defined descriptor fields (either through Internal Default ROM, or serial port).

### 7.1 USB Bus Reset

In response to the upstream port signaling a reset to the Hub, the Hub does the following:

**Note 7-1** The Hub does not propagate the upstream USB reset to downstream devices.

- Sets default address to 0.
- Sets configuration to: Unconfigured.
- Negates PRTPWR[3:1] register for all downstream ports.
- Clears all TT buffers.
- Moves device from suspended to active (if suspended).
- Complies with Section 11.10 of the USB 2.0 Specification for behavior after completion of the reset sequence.

The Host then configures the Hub and the Hub's downstream port devices in accordance with the USB Specification.

### 7.2 Hub Attached as a High-Speed Device (Customer-Configured for Single-TT Support Only)

The following tables provide descriptor information for Customer-Configured Single-TT-Only Hubs attached for use with High-Speed devices.

#### 7.2.1 STANDARD DEVICE DESCRIPTOR

The following table provides device descriptor values for High-Speed operation.

**TABLE 7-1: DEVICE DESCRIPTOR**

Offset	Field	Size	Value	Description
0	Length	1	12h	Size of this Descriptor.
1	DescriptorType	1	01h	Device Descriptor Type.
2	USB	2	0200h	USB Specification Release Number.
4	DeviceClass	1	09h	Class code assigned by USB-IF for Hubs.
5	DeviceSubClass	1	00h	Class code assigned by USB-IF for Hubs.
6	DeviceProtocol	1	01h	Protocol Code.
7	MaxPacketSize0	1	40h	64-byte packet size.
8	Vendor	2	user/ default	Vendor ID; Customer value defined in ROM or serial port load.
10	Product	2	user/ default	Product ID; Customer value defined in ROM or serial port load.
12	Device	2	user/ default	Device ID; Customer value defined in ROM or serial port load
14	Manufacturer	1	xxh	If STRING_EN =0 Optional string is not supported, and xx = 00.  If STRING_EN = 1, String support is enabled, and xx = 01
15	Product	1	yyh	If STRING_EN =0 Optional string is not supported, and yy = 00.  If STRING_EN = 1, String support is enabled, and yy = 02

# USB3503

**TABLE 7-1: DEVICE DESCRIPTOR (CONTINUED)**

Offset	Field	Size	Value	Description
16	SerialNumber	1	zzh	If STRING_EN =0 Optional string is not supported, and zz = 00.  If STRING_EN = 1, String support is enabled, and zz = 03
17	NumConfigurations	1	01h	Supports 1 configuration.

## 7.2.2 CONFIGURATION DESCRIPTOR

The following table provides configuration descriptor values for High-Speed, Single-TT-Only operation.

**TABLE 7-2: CONFIGURATION DESCRIPTOR (HIGH-SPEED, SINGLE-TT ONLY)**

OFFSET	FIELD	SIZE	VALUE	DESCRIPTION
0	Length	1	09h	Size of this Descriptor.
1	DescriptorType	1	02h	Configuration Descriptor Type.
2	TotalLength	2	yyyyh	Total combined length of all descriptors for this configuration (configuration, interface, endpoint, and class- or vendor-specific). yyyyh = 0019h
4	NumInterfaces	1	01h	Number of interfaces supported by this configuration.
5	ConfigurationValue	1	01H	Value to use as an argument to the SetConfiguration() request to select this configuration.
6	Configuration	1	00h	Index of string descriptor describing this configuration (string not supported).
7	Attributes	1	user/ signal	Configuration characteristics: Communicates the capabilities of the hub regarding Remote Wake-up capability, and also reports the self-power status. In all cases, the value reported to the host always indicates that the hub supports Remote Wakeup.  The value reported to the host is dependant upon the SELF_BUS_PWR bit (CONFIG_BYTE_1) = A0h for Bus-Powered (SELF_BUS_PWR = 0). = E0h for Self-Powered (SELF_BUS_PWR = 1). All other values are reserved.
8	MaxPower	1	user	Maximum Power Consumption of the Hub from VBUS when fully operational. This value includes all support circuitry associated with the hub (including an attached “embedded” peripheral if hub is part of a compound device), and is in 2mA increments. The Hub supports Self-Powered and Bus-Powered operation. The SELF_BUS_PWR bit (CONFIG_BYTE_1) is used to determine which of the values below are reported. The value reported to the host must coincide with the current operating mode, and will be determined by the following rules.  The value that is reported to the host will be:  'MAX_PWR_BP' if SELF_BUS_PWR = '0' 'MAX_PWR_SP' if SELF_BUS_PWR = '1'  In all cases the reported value is sourced from the MAX POWER data field (for Self or Bus power) that was loaded by Internal Default, or serial port configuration.



## 7.2.3 INTERFACE DESCRIPTOR (SINGLE-TT)

The following table provides interface descriptor values for High-Speed, Single-TT operation.

**TABLE 7-3: INTERFACE DESCRIPTOR (HIGH-SPEED, SINGLE-TT)**

Offset	Field	Size	Value	Description
0	Length	1	09h	Size of this Descriptor.
1	DescriptorType	1	04h	Interface Descriptor Type.
2	InterfaceNumber	1	00h	Number of this interface.
3	AlternateSetting	1	00h	Value used to select this alternate setting for the interface.
4	NumEndpoints	1	01h	Number of endpoints used by this interface (not including endpoint 0).
5	InterfaceClass	1	09h	Hub class code.
6	InterfaceSubclass	1	00h	Subclass code.
7	InterfaceProtocol	1	00h	Single-TT.
8	Interface	1	00h	Index of the string descriptor describing this interface (strings not supported).

## 7.2.4 ENDPOINT DESCRIPTOR (SINGLE-TT)

The following table provides endpoint descriptor values for Single-TT operation.

**TABLE 7-4: ENDPOINT DESCRIPTOR (FOR STATUS CHANGE ENDPOINT, SINGLE-TT)**

Offset	Field	Size	Value	Description
0	Length	1	07h	Size of this Descriptor.
1	DescriptorType	1	05h	Endpoint Descriptor Type.
2	EndpointAddress	1	81h	The address of the endpoint on the USB device.
3	Attributes	1	03h	Describes the endpoint's attributes. (interrupt only, no synchronization, data endpoint).
4	MaxPacketSize	2	0001h	Maximum packet size for this endpoint.
6	Interval	1	0Ch	Interval for polling endpoint for data transfers (Maximum Possible).

## 7.3 Hub Attached as a High-Speed Device (Customer-Configured as Multi-TT Capable)

The following tables provide descriptor information for Customer-Configured Multi-TT High-Speed devices.

### 7.3.1 STANDARD DEVICE DESCRIPTOR

The following table provides device descriptor values for High-Speed operation.

**TABLE 7-5: DEVICE DESCRIPTOR (HIGH-SPEED)**

Offset	Field	Size	Value	Description
0	Length	1	12	Size of this Descriptor
1	DescriptorType	1	01h	Device Descriptor Type.
2	USB	2	0200h	USB Specification Release Number.
4	DeviceClass	1	09h	Class code assigned by USB-IF for Hubs.
5	DeviceSubClass	1	00h	Class code assigned by USB-IF for Hubs.
6	DeviceProtocol	1	02h	Protocol code (Multi-TTs).
7	MaxPacketSize0	1	40h	64-byte packet size.
8	Vendor	2	user	Vendor ID; Customer value defined in ROM or serial port load.
10	Product	2	user	Product ID; Customer value defined in ROM or serial port load.

# USB3503

**TABLE 7-5: DEVICE DESCRIPTOR (HIGH-SPEED) (CONTINUED)**

Offset	Field	Size	Value	Description
12	Device	2	user	Device ID; Customer value defined in ROM or serial port load.
14	Manufacturer	1	xxh	If STRING_EN = 0 Optional string is not supported, and xx = 00.  If STRING_EN = 1, String support is enabled, and xx = 01
15	Product	1	yyh	If STRING_EN = 0 Optional string is not supported, and yy = 00.  If STRING_EN = 1, String support is enabled, and yy = 02
16	SerialNumber	1	zzh	If STRING_EN = 0 Optional string is not supported, and zz = 00.  If STRING_EN = 1, String support is enabled, and zz = 03
17	NumConfigurations	1	01h	Supports 1 configuration.

## 7.3.2 CONFIGURATION DESCRIPTOR

The following table provides configuration descriptor values for High-Speed operation.

**TABLE 7-6: CONFIGURATION DESCRIPTOR (HIGH-SPEED)**

Offset	Field	Size	Value	Description
0	Length	1	09h	Size of this Descriptor.
1	DescriptorType	1	02h	Configuration Descriptor Type.
2	TotalLength	2	yyyyh	Total combined length of all descriptors for this configuration (configuration, interface, endpoint, and class- or vendor-specific). yyyyh = 0029h.
4	NumInterfaces	1	01h	Number of Interface supported by this configuration.
5	ConfigurationValue	1	01H	Value to use as an argument to the SetConfiguration() request to select this configuration.
6	Configuration	1	00h	Index of string descriptor describing this configuration (String not supported).
7	Attributes	1	user/ signal	Configuration characteristics: Communicates the capabilities of the hub regarding Remote Wake-up capability, and also reports the self-power status. In all cases, the value reported to the host always indicates that the hub supports Remote Wakeup.  The value reported to the host is dependant upon the SELF_BUS_PWR bit (CONFIG_BYTE_1) = A0h for Bus-Powered (SELF_BUS_PWR = 0). = E0h for Self-Powered (SELF_BUS_PWR = 1). All other values are reserved.

**TABLE 7-6: CONFIGURATION DESCRIPTOR (HIGH-SPEED) (CONTINUED)**

Offset	Field	Size	Value	Description
8	MaxPower	1	user	<p>Maximum Power Consumption of the Hub from VBUS when fully operational. This value includes all support circuitry associated with the hub (including an attached “embedded” peripheral if hub is part of a compound device), and is in 2mA increments. The Hub supports Self-Powered and Bus-Powered operation. The SELF_BUS_PWR bit (CONFIG_BYTE_1) is used to determine which of the values below are reported. The value reported to the host must coincide with the current operating mode, and will be determined by the following rules.</p> <p>The value that is reported to the host will be:</p> <p>‘MAX_PWR_BP’ if SELF_BUS_PWR = ‘0’  ‘MAX_PWR_SP’ if SELF_BUS_PWR = ‘1’</p> <p>In all cases the reported value is sourced from the MAX POWER data field (for Self or Bus power) that was loaded by Internal Default, or serial port configuration.</p>

### 7.3.3 INTERFACE DESCRIPTOR (SINGLE-TT)

The following table provides interface descriptor values for High-Speed Single-TT operation.

**TABLE 7-7: INTERFACE DESCRIPTOR (HIGH-SPEED, SINGLE-TT)**

Offset	Field	Size	Value	Description
0	Length	1	09h	Size of this Descriptor.
1	DescriptorType	1	04h	Interface Descriptor Type.
2	InterfaceNumber	1	00h	Number of this interface.
3	AlternateSetting	1	00h	Value used to select this alternate setting for the interface.
4	NumEndpoints	1	01h	Number of endpoints used by this interface (not including endpoint 0).
5	InterfaceClass	1	09h	Hub class code.
6	InterfaceSubclass	1	00h	Subclass code
7	InterfaceProtocol	1	01h	Single-TT.
8	Interface	1	00h	Index of the string descriptor describing this interface (strings not supported).

### 7.3.4 ENDPOINT DESCRIPTOR (SINGLE-TT)

The following table provides endpoint descriptor values for Single-TT operation.

**TABLE 7-8: ENDPOINT DESCRIPTOR (FOR STATUS CHANGE ENDPOINT, SINGLE-TT)**

Offset	Field	Size	Value	Description
0	Length	1	07h	Size of this Descriptor.
1	DescriptorType	1	05h	Endpoint Descriptor Type.
2	EndpointAddress	1	81h	The address of the endpoint on the USB device.
3	Attributes	1	03h	Describes the endpoint’s attributes. (interrupt only, no synchronization, data endpoint).
4	MaxPacketSize	2	0001h	Maximum packet size for this endpoint.
6	Interval	1	0Ch	Interval for polling endpoint for data transfers (Maximum Possible).

# USB3503

## 7.3.5 INTERFACE DESCRIPTOR (MULTI-TT)

The following table provides interface descriptor values for High-Speed Multi-TT operation.

**TABLE 7-9: INTERFACE DESCRIPTOR (MULTI-TT, HIGH-SPEED)**

Offset	Field	Size	Value	Description
0	Length	1	09h	Size of this Descriptor.
1	DescriptorType	1	04h	Interface Descriptor Type.
2	InterfaceNumber	1	00h	Number of this interface.
3	AlternateSetting	1	01h	Value used to select this alternate setting for the interface.
4	NumEndpoints	1	01h	Number of endpoints used by this interface (not including endpoint 0).
5	InterfaceClass	1	09h	Hub class code.
6	InterfaceSubclass	1	00h	Subclass code.
7	InterfaceProtocol	1	02h	Multiple-TTs.
8	Interface	1	00h	Index of the string descriptor describing this interface (strings not supported).

## 7.3.6 ENDPOINT DESCRIPTOR (MULTI-TT)

The following table provides endpoint descriptor values for Multi-TT operation.

**TABLE 7-10: ENDPOINT DESCRIPTOR (FOR STATUS CHANGE ENDPOINT, MULTI-TT)**

Offset	Field	Size	Value	Description
0	Length	1	07h	Size of this Descriptor.
1	DescriptorType	1	05h	Endpoint Descriptor Type.
2	EndpointAddress	1	81h	The address of the endpoint on the USB device.
3	Attributes	1	03h	Describes the endpoint's attributes. (interrupt only, no synchronization, data endpoint).
4	MaxPacketSize	2	0001h	Maximum packet size for this endpoint.
6	Interval	1	0Ch	Interval for polling endpoint for data transfers (Maximum Possible).

## 7.4 Class-Specific Hub Descriptor

The following table provides class-specific Hub descriptor values.

**Note:** The Hub must respond to Hub Class Descriptor type 29h (the USB 1.1 and USB 2.0 value) and 00h (the USB 1.0 value).

**TABLE 7-11: CLASS-SPECIFIC HUB DESCRIPTOR**

Offset	Field	Size	Value	Description
0	Length	1	09h	Size of this Descriptor.
1	DescriptorType	1	29h	Hub Descriptor Type.
2	NbrPorts	1	user	<p>Number of downstream facing ports this Hub supports. See Section 11.23.2.1 of the USB Specification for additional details regarding the use of this field.</p> <p>The value reported is implementation dependent, and is derived from the value defined during Internal Default, or serial port load. The PORT_DIS_SP field defines the ports that are permanently disabled when in Self-Powered operation, and the PORT_DIS_BP field defines the ports that are permanently disabled when in Bus-Powered operation.</p> <p>Internal logic will subtract the number of ports which are disabled, from the total number available (which is 3), and will report the remainder as the number of ports supported. The value reported to the host must coincide with the current operating mode, and will be determined by the following rules.</p> <p>The field used to determine the value that is reported to the host will be:</p> <p>'PORT_DIS_BP' if SELF_BUS_PWR = '0'            'PORT_DIS_SP' if SELF_BUS_PWR = '1'</p>
3	HubCharacteristics	2	user	<p>Defines support for Logical power switching mode, Compound Device support, Over-current protection, TT Think Time, and Port Indicator support, See Section 11.23.2.1 in the USB Specification for additional details regarding the use of this field.</p> <p>The values delivered to a host are all derived from values defined during Internal Default, or serial port load, and are assigned as follows:</p> <p>D1:0 = '00'b if PORT_PWR = '0'            D1:0 = '01'b if PORT_PWR = '1'</p> <p>D2 = 'COMPOUND'</p> <p>D4:3 = 'CURRENT_SNS'</p> <p>D6:5 = '00'b for 8FS (max) bit times of TT think time.</p> <p>D7 = hardcoded to '0' (no Port Indicator Support)</p> <p>D15:8 = '00000000'b</p>

# USB3503

**TABLE 7-11: CLASS-SPECIFIC HUB DESCRIPTOR (CONTINUED)**

Offset	Field	Size	Value	Description
5	PwrOn2PwrGood	1	user	<p>Time (in 2 ms intervals) from the time the power-on sequence begins on a port until power is good on that port. See Section 11.23.2.1 in the USB Specification.</p> <p>The value contained in the 'POWER_ON_TIME' field is directly reported to the host, and is determined by Internal Default, or serial port load.</p>
6	HubContrCurrent	1	user	<p>Maximum current requirements of the Hub Controller electronics in 1 mA increments. See Section 11.23.2.1 in the USB Specification for additional details on the use of this field.</p> <p>This field reports the maximum current that only the hub consumes from upstream VBUS when fully operational. This value includes all support circuitry associated with the hub (but does not include the current consumption of any permanently attached peripherals if the hub is part of a compound device).</p> <p>The Hub supports Self-Powered and Bus-Powered operation. The SELF_BUS_PWR bit (CONFIG_BYTE_1) defined in <a href="#">Section 5.3.7, "Register 06h: CONFIG_BYTE_1 - CFG1," on page 22</a> is used to determine which of the stored values are reported. The value reported to the host must coincide with the current operating mode, and will be determined by the following rules.</p> <p>The value that is reported to the host will be:</p> <p>'HC_MAX_C_BP' if SELF_BUS_PWR = '0'            'HC_MAX_C_SP' if SELF_BUS_PWR = '1'</p> <p>'HC_MAX_C_BP/SP' are defined in <a href="#">Section 5.3.15</a>, and <a href="#">Section 5.3.16, "Register 0Fh: Hub Controller Max Current For Bus Powered Operation - HCMCB," on page 26</a>. In all cases the reported value is sourced from the Hub Controller Max Current data field (for Self or Bus power) that was determined by Internal Default, or serial port load.</p>
7	DeviceRemovable	1	user	<p>Indicates if port has a removable device attached. See Section 11.23.2.1 in the USB Specification.</p> <p>The value contained in the 'NR_DEVICE' field is directly reported to the host, and is determined by Internal Default, or serial port load.</p>
8	PortPwrCtrlMask	1	FFh	Field for backwards USB 1.0 compatibility.

## 7.5 String Descriptors

The USB3503 supports a 30 Character Manufacturer String Descriptor, a 30 Character Product String and a 30 character Serial String.

### 7.5.1 STRING DESCRIPTOR ZERO (SPECIFIES LANGUAGES SUPPORTED)

**TABLE 7-12: STRING DESCRIPTOR ZERO**

Offset	Field	Size	Value	Description
0	Length	1	04h	Size of this Descriptor.
1	DescriptorType	1	03h	String Descriptor Type.
2	LANGID	2	xxxxh	Language ID code from LANG_ID_H and LANG_ID_L registers

### 7.5.2 STRING DESCRIPTOR 1 (MANUFACTURER STRING)

**TABLE 7-13: STRING DESCRIPTOR 1, MANUFACTURER STRING**

Offset	Field	Size	Value	Description
0	Length	1	yyh	Size of this Descriptor. The yy value is created by taking the MFR_STR_LEN{bytes} + 2{bytes}
1	DescriptorType	1	03h	String Descriptor Type.
2	String	N	string	Manufacturer String  The string is located in the MFR_STR register and the size (N) is held in the MFR_STR_LEN register

### 7.5.3 STRING DESCRIPTOR 2 (PRODUCT STRING)

**TABLE 7-14: STRING DESCRIPTOR 2, PRODUCT STRING**

Offset	Field	Size	Value	Description
0	Length	1	yyh	Size of this Descriptor. The yy value is created by taking the PRD_STR_LEN{bytes} + 2{bytes}
1	DescriptorType	1	03h	String Descriptor Type.
2	String	N	string	Product String  The string is located in the PROD_STR register and the size (N) is held in the PRD_STR_LEN register

### 7.5.4 STRING DESCRIPTOR 3 (SERIAL STRING)

**TABLE 7-15: STRING DESCRIPTOR 3, SERIAL STRING**

Offset	Field	Size	Value	Description
0	Length	1	yyh	Size of this Descriptor. The yy value is created by taking the SER_STR_LEN{bytes} + 2{bytes}
1	DescriptorType	1	03h	String Descriptor Type.
2	String	N	string	Serial String  The string is located in the SER_STR register and the size (N) is held in the SER_STR_LEN register

# USB3503

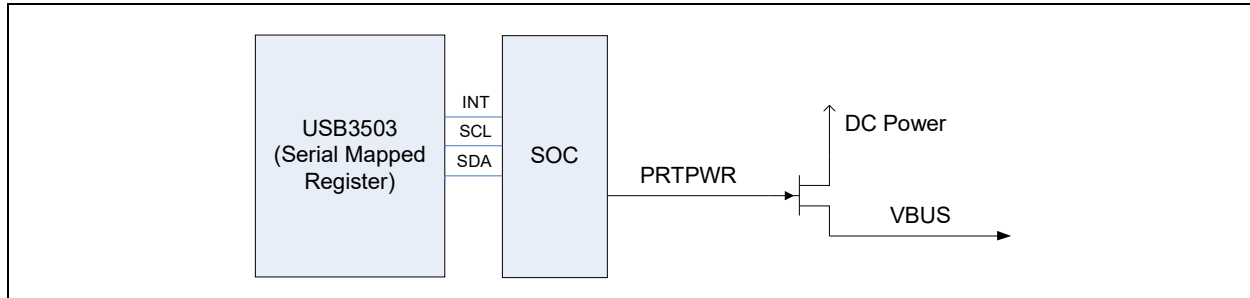
## 8.0 BATTERY CHARGING

### 8.1 Downstream Port Battery Charging Support

The USB3503 can configure any of the downstream ports to support battery charger handshake.

The Hub's role in downstream battery charging is to provide an acknowledge to a device's query as to if the hub *system* supports USB battery charging. The hub *silicon* does not provide any current or power FETs or any such thing to actually charge the device. Those components would need to be provided as external components in the final Hub board design.

**FIGURE 8-1: BATTERY CHARGING EXTERNAL POWER SUPPLY**



If the final Hub board design provides an external supply capable of supplying current per the battery charging specification, the hub can be configured to indicate the presence of such a supply to the device. This indication is on a per/port basis. i.e. the board can configure two ports to support battery charging (thru high current power FET's) and leave the other port as a standard USB port.

#### 8.1.1 USB BATTERY CHARGING

In the terminology of the USB battery charging specification, if the port is configured to support battery charging, the downstream port is a "Charging Host Port". All AC/DC characteristics will comply with only this type. If the port is not configured to support battery charging, the port is a "Standard Host Port". AC/DC characteristics comply with the USB 2.0 specification.

A downstream port will only behave as a "Charging Host Port" or a "Standard Host Port". The port will not switch between "Charging Host Port" or Standard Host Port" at any time after initial power-up and configuration.

#### 8.1.2 SPECIAL BEHAVIOR OF PRTPWR REGISTER

The USB Battery charging specification does not address system issues. It only defines a low level protocol for a device and host (or hub) to communicate a simple question and optional answer.

Device queries if the host to which it is connected supports battery charging.

The host will respond that it does support battery charging or does not respond at all. There is no negative response. (A lack of response is taken as a negative response)

When ports are configured for downstream battery charging, the corresponding PRTPWR setting will be controlled by downstream battery charging logic instead of the normal hub logic.

PRTPWR setting will assert after initial hub customer configuration (Internal default/Serial register writes). PRTPWR will remain asserted and under the control of the battery charge logic until one of two events.

1. An overcurrent is detected on the corresponding OCS\_N pin. In this case, PRTPWR setting will negate. The only way to re-enable the PRTPWR setting from this state is to RESET the USB3503.
2. The hub enters Hub.Communication stage, connects on its upstream port and is enumerated by a USB host. In this case, control over the PRTPWR setting reverts back to the hub logic inside the USB3503 and the normal USB behavior applies. In this case, the host must enable PRTPWR.

Since the enumeration process for a hub sets the PORT\_POWER feature for all downstream ports, this information can be used to switch control over the PRTPWR setting between the battery charge logic and the hub logic.

- When the Hub PORT\_POWER feature is '1', the hub logic controls the PRTPWR setting.
- When the Hub PORT\_POWER feature is '0', the battery charging logic controls the PRTPWR setting.



No matter which controller is controlling the PRTPWR setting, an overcurrent event will always negate PRTPWR setting.

### 8.1.3 BATTERY CHARGING CONFIGURATION

Configuration of ports to support battery charging is done through serial port configuration load.

[Register D0: Downstream Battery Charging Enable - BC\\_EN](#) is allocated for Battery Charging support. The register, starting from Bit 1, enables Battery charging for each down stream port when asserted. Bit 1 represents port 1 and so on. Each port with battery charging enabled asserts the corresponding PRTPWR register bit.

# USB3503

---

## 9.0 INTEGRATED POWER REGULATORS

### 9.1 Overview

The integrated power regulators are designed to provide significant flexibility to the system in providing power to the USB3503. Several different configurations are allowed in order to align the USB3503 power structure to the supplies available in the system.

#### 9.1.1 3.3V REGULATOR

The USB3503 has an integrated regulator to convert from VBAT to 3.3V.

#### 9.1.2 1.2V REGULATOR

The USB3503 has an integrated regulator to convert from a variable voltage input on VDD\_CORE\_REG to 1.2V. The 1.2V regulator shall be tolerant to the presence of low voltage (~0V) on the VDD\_CORE\_REG pin in order to support system power solutions where a 1.8V supply is not always present in low power states.

The 1.2V regulator shall support an input voltage range consistent with a 1.8V input in order to reduce power consumption in systems which provide multiple power supply levels. In addition the 1.2V regulator shall support an input voltage up to 3.3V for systems which provide only a single power supply. The device will support operation where the 3.3V regulator output can drive the 1.2V regulator input such that VBAT is the only required supply.

### 9.2 Power Configurations

The USB3503 support operation with no back current when power is connected in each of the following configurations.

#### 9.2.1 SINGLE SUPPLY CONFIGURATIONS

##### 9.2.1.1 VBAT Only

bit VBAT should be tied to the VBAT system supply. VDD33\_BYP regulator output and VDD\_CORE\_REG should be tied together on the board. In this configuration the 3.3V regulator will be active, and the 3.3V to 1.2V regulator will be active.

##### 9.2.1.2 3.3V Only

VBAT should be tied to the 3.3V system supply. VDD33\_BYP and VDD\_CORE\_REG pins should be tied together on the board. In this configuration, the 3.3V regulator will operate in dropout. The 1.2V regulator will be active.

#### 9.2.2 DOUBLE SUPPLY CONFIGURATIONS

##### 9.2.2.1 VBAT + 1.8V

VBAT should be tied to the VBAT system supply. VDD33\_BYP regulator output requires external capacitor. VDD\_CORE\_REG should be tied to the 1.8V system supply. In this configuration, the 3.3V regulator and the 1.2V regulator will be active.

##### 9.2.2.2 3.3V + 1.8V

VBAT should be tied to the 3.3V system supply. VDD33\_BYP should be connected to the 3.3V external capacitor. VDD\_CORE\_REG should be tied to the 1.8V system supply. In this configuration the 3.3V regulator will operate in dropout. The 1.2V regulator will be active.

### 9.3 Regulator Control Signals

The regulators are controlled by **RESET\_N**. When **RESET\_N** is brought high the VDD33 regulator will turn on. When **RESET\_N** is brought low the VDD33 regulator will turn off.

## 10.0 SPECIFICATIONS

### 10.1 Absolute Maximum Ratings

**TABLE 10-1: ABSOLUTE MAXIMUM RATINGS**

Parameter	Symbol	Conditions	MIN	MAX	Units
<b>VBAT</b>	$V_{BAT}$		-0.5	5.5	V
<b>VDD_CORE_REG</b>	$V_{DD\_CORE\_REG}$		-0.5	4.6	V
<b>VDD33</b>	$V_{DD33\_BYP}$		-0.5	4.6	V
Maximum IO Voltage to Ground	$V_{IO}$		-0.5	4.6	V
<b>REFCLK</b> Voltage	$V_{MAX\_REFCLK}$		-0.5	3.6	V
Voltage on USB+ and USB- pins	$V_{MAX\_USB}$		-0.5	5.5	V
Operating Temperature	$T_{MAX\_OP}$	Commercial	0	70	C
Operating Temperature	$T_{MAX\_OP}$	Industrial	-40	85	C
Storage Temperature	$T_{MAX\_STG}$		-55	150	C
Junction Temperature	$T_{JMAX}$			125	C

**Note 1:** Stresses beyond those listed under “Absolute Maximum Ratings” may cause permanent damage to the device. Exposure to absolute maximum rating conditions for extended periods may affect device reliability.

**2:** This is a stress rating only and functional operation of the device at any other condition above those indicated in the operation sections of this specification is not implied.

**3:** When powering this device from laboratory or system power supplies, it is important that the Absolute Maximum Ratings not be exceeded or device failure can result. Some power supplies exhibit voltage spikes on their outputs when the AC power is switched on or off. In addition, voltage transients on the AC power line may appear on the DC output. When this possibility exists, it is suggested that a clamp circuit be used.

### 10.2 Recommended Operating Conditions

**TABLE 10-2: RECOMMENDED OPERATING CONDITIONS**

Parameter	Symbol	Conditions	MIN	TYP	MAX	Units
<b>VBAT</b>	$V_{BAT}$		2.9		5.5	V
<b>VDD_CORE_REG</b>	$V_{DD\_CORE\_REG}$	<a href="#">Note 10-1</a>	1.6	1.8	2.0	V
<b>VDD_CORE_REG</b>	$V_{DD\_CORE\_REG}$	<a href="#">Note 10-2</a>	3.0	3.3	3.6	V
Input Voltage ( <b>DP, DM</b> )	$V_{IUSB}$		-0.3		5.5	V
Input Voltage ( <b>STROBE, DATA</b> )	$V_{IHSIC}$		-0.3	1.2	1.32	V
Input Voltage on I/O Pins	$V_I$		-0.3	1.8	3.6	V
Voltage on <b>REFCLK</b>	$V_{REFCLK}$		-0.3		3.6	V
Ambient Temperature	$T_A$	Commercial	0		70	C
Ambient Temperature	$T_A$	Industrial	-40		85	C

**Note 10-1** Applicable only when **VDD\_CORE\_REG** is supplied from external power supply.

**Note 10-2** Applicable only when **VDD\_CORE\_REG** is tied to **VDD33\_BYP**.

# USB3503

**TABLE 10-3: 25-BALL WLCSP PACKAGE THERMAL PARAMETERS**

Parameter	Symbol	Value	Units	Comments
Thermal Resistance Junction to Ambient	$\Theta_{JA}$	37.3	°C/W	Measured in still air
		34.9	°C/W	Airflow 1 m/s
		33.9	°C/W	Airflow 2.5 m/s
Thermal Resistance Junction to Bottom of Case	$\Psi_{JT}$	0.4	°C/W	Measured in still air
Thermal Resistance Junction to Top of Case	$\Theta_{JC}$	25.7	°C/W	-

**TABLE 10-4: 32-PIN SQFN PACKAGE THERMAL PARAMETERS**

Parameter	Symbol	Value	Units	Comments
Thermal Resistance Junction to Ambient	$\Theta_{JA}$	44	°C/W	Measured in still air
		39	°C/W	Airflow 1 m/s
		35	°C/W	Airflow 2.5 m/s
Thermal Resistance Junction to Bottom of Case	$\Psi_{JT}$	0.6	°C/W	Measured in still air
Thermal Resistance Junction to Top of Case	$\Theta_{JC}$	6.3	°C/W	-

## 10.3 Operating Current

The following conditions are assumed unless otherwise specified:

$V_{BAT} = 3.0$  to  $5.5V$ ;  $V_{DD\_CORE} = 1.6$  to  $2.0V$ ;  $V_{SS} = 0V$ ;

$T_A = 0C$  to  $+70C$  (Commercial),  $-40C$  to  $+85C$  (Industrial)

**TABLE 10-5: OPERATING CURRENT (DUAL SUPPLY)**

Parameter	Symbol	Conditions	MIN	TYP	MAX	Units
High Speed USB Operation with Upstream HSIC	$I_{VBAT(HS)}$	Active USB Transfer <b>RESET_N</b> = 1 3 Downstream Ports Active	55	65	68	mA
	$I_{CORE(HS)}$		29	33	38	mA
High Speed USB Operation with Upstream HSIC	$I_{VBAT(HS)}$	Active USB Transfer <b>RESET_N</b> = 1 2 Downstream Ports Active, 1 Port Disabled	33	43	45	mA
	$I_{CORE(HS)}$		26	28	35	mA
High Speed USB Operation with Upstream HSIC	$I_{VBAT(HS)}$	Active USB Transfer <b>RESET_N</b> = 1 1 Downstream Port Active, 2 Ports Disabled	19	23	25	mA
	$I_{CORE(HS)}$		22	24	30	mA
High Speed USB Operation with Upstream HSIC	$I_{VBAT(HS)}$	High Speed Idle <b>RESET_N</b> = 1 3 Downstream Ports Enabled, No USB Data Transfer	20	21	23	mA
	$I_{CORE(HS)}$		24	25	29	mA
High Speed USB Operation with Upstream HSIC	$I_{VBAT(HS)}$	High Speed Idle <b>RESET_N</b> = 1 1 Downstream Port Enabled, No USB Data Transfer	12	13	14	mA
	$I_{CORE(HS)}$		19	20	23	mA
Unconfigured (High Speed)	$I_{VBAT(UNCONF)}$	<b>RESET_N</b> = 1	7	8	10	mA
	$I_{CORE(UNCONF)}$		17	18	22	mA

**TABLE 10-5: OPERATING CURRENT (DUAL SUPPLY) (CONTINUED)**

Parameter	Symbol	Conditions	MIN	TYP	MAX	Units
STANDBY Mode	I <sub>VBAT(STDBY)</sub>	RESET_N = 0 Commercial Temp	0	0.4	2.5	μA
	I <sub>CORE(STDBY)</sub>		0	0	0.5	μA
STANDBY Mode	I <sub>VBAT(STDBY)</sub>	RESET_N = 0 Industrial Temp	0	0.6	3.9	μA
	I <sub>CORE(STDBY)</sub>		0	0	0.9	μA
SUSPEND Mode	I <sub>VBAT(SPND)</sub>	USB Suspend Commercial Temp	65	73	110	μA
	I <sub>CORE(SPND)</sub>		125	165	765	μA
SUSPEND Mode	I <sub>VBAT(SPND)</sub>	USB Suspend Industrial Temp	65	73	125	μA
	I <sub>CORE(SPND)</sub>		125	165	1050	μA

The following conditions are assumed unless otherwise specified:

V<sub>BAT</sub> = 3.0 to 5.5V; V<sub>SS</sub> = 0V; T<sub>A</sub> = 0C to +70C (Commercial), -40C to +85C (Industrial)

**TABLE 10-6: OPERATING CURRENT (SINGLE SUPPLY)**

Parameter	Symbol	Conditions	MIN	TYP	MAX	Units
High Speed USB Operation with Upstream HSIC	I <sub>VBAT(HS)</sub>	Active USB Transfer RESET_N = 1 3 Downstream Ports Active	88	98	110	mA
High Speed USB Operation with Upstream HSIC	I <sub>VBAT(HS)</sub>	Active USB Transfer RESET_N = 1 2 Downstream Ports Active, 1 Port Disabled	69	72	80	mA
High Speed USB Operation with Upstream HSIC	I <sub>VBAT(HS)</sub>	Active USB Transfer RESET_N = 1 1 Downstream Port Active, 2 Ports Disabled	45	48	55	mA
High Speed USB Operation with Upstream HSIC	I <sub>VBAT(HS)</sub>	High Speed Idle RESET_N = 1 3 Downstream Ports Enabled, No USB Data Transfer	47	50	53	mA
High Speed USB Operation with Upstream HSIC	I <sub>VBAT(HS)</sub>	High Speed Idle RESET_N = 1 1 Downstream Port Enabled, No USB Data Transfer	34	35	36	mA
Unconfigured (High Speed)	I <sub>VBAT(UNCONF)</sub>	RESET_N = 1	28	29	30	mA
STANDBY Mode	I <sub>VBAT(STDBY)</sub>	RESET_N = 0 Commercial Temp	0	0.6	2.6	μA
STANDBY Mode	I <sub>VBAT(STDBY)</sub>	RESET_N = 0 Industrial Temp	0	0.6	3.1	μA
SUSPEND Mode	I <sub>VBAT(SPND)</sub>	USB Suspend Commercial Temp	215	250	925	μA
SUSPEND Mode	I <sub>VBAT(SPND)</sub>	USB Suspend Industrial Temp	215	250	1330	μA

# USB3503

## 10.4 DC Characteristics: Digital I/O Pins

**Note:**  $T_A = -40^{\circ}\text{C}$  to  $85^{\circ}\text{C}$

**TABLE 10-7: DIGITAL I/O CHARACTERISTICS**

Parameter	Symbol	Conditions	MIN	TYP	MAX	Units
Low-Level Input Voltage	$V_{IL}$	Note 10-1	-0.3		0.42	V
Low-Level Input Voltage	$V_{IL}$	Note 10-2	-0.3		0.34	V
High-Level Input Voltage	$V_{IH}$		1.25		VDD33_BYP+ 0.3V	V
Low-Level Input Voltage <b>RESET</b>	$V_{IL\_RST}$		-0.3		0.38	V
High-Level Input Voltage <b>RESET</b>	$V_{IH\_RST}$		1.0		VDD33_BYP+ 0.3V	V
Low-Level Input Voltage <b>OSC</b>	$V_{IL\_OSC}$		-0.3		0.55	V
High-Level Input Voltage <b>OSC</b>	$V_{IH\_OSC}$		0.8		VDD33_BYP+ 0.3V	V
Low-Level Input Voltage <b>REFCLK</b>	$V_{IL\_REF}$		-0.3		0.5	V
High-Level Input Voltage <b>REFCLK</b>	$V_{IH\_REF}$		1.4		VDD33_BYP+ 0.3V	V
Clock Input Capacitance <b>REFCLK</b>	$C_{IN}$				2	pF
Low-Level Output Voltage	$V_{OL}$	@ $I_{OL}=12\text{mA}$ sink current			0.4	V
Pin Capacitance	$C_{pin}$			2	20	pF
Output Current Capability	$I_O$		12	20	24	mA

**Note 10-1** For I<sup>2</sup>C interface using pullups to less than 2.1V.

**Note 10-2** For I<sup>2</sup>C interface using pullups to greater than 2.1V.

## 10.5 DC Characteristics: Analog I/O Pins

**TABLE 10-8: DC CHARACTERISTICS: ANALOG I/O PINS (DP/DM)**

Parameter	Symbol	Conditions	MIN	TYP	MAX	Units
<b>LS/FS FUNCTIONALITY</b>						
<b>Input levels</b>						
Differential Receiver Input Sensitivity	$V_{DIFS}$	$ V(DP) - V(DM) $	0.2			V
Differential Receiver Common-Mode Voltage	$V_{CMFS}$		0.8		2.5	V
Single-Ended Receiver Low Level Input Voltage	$V_{ILSE}$				0.8	V
Single-Ended Receiver High Level Input Voltage	$V_{IHSE}$		2.0			V
Single-Ended Receiver Hysteresis	$V_{HYSSE}$		0.050		0.150	V
<b>Output Levels</b>						
Low Level Output Voltage	$V_{FSOL}$	Pull-up resistor on DP; $R_L = 1.5k\Omega$ to $V_{DD33\_BYP}$			0.3	V
High Level Output Voltage	$V_{FSOH}$	Pull-down resistor on DP, DM; $R_L = 15k\Omega$ to GND	2.8		3.6	V
<b>Termination</b>						
Driver Output Impedance for HS	$Z_{HSDRV}$	Steady state drive	40.5	45	49.5	$\Omega$
Input Impedance	$Z_{INP}$	RX, RPU, RPD disabled	1.0			M $\Omega$
Pull-dn Resistor Impedance	$R_{PD}$	<a href="#">Note 10-3</a>	14.25	16.9	20	k $\Omega$
<b>HS FUNCTIONALITY</b>						
<b>Input levels</b>						
HS Differential Input Sensitivity	$V_{DIHS}$	$ V(DP) - V(DM) $	100			mV
HS Data Signaling Common Mode Voltage Range	$V_{CMHS}$		-50		500	mV
HS Squelch Detection Threshold (Differential)	$V_{HSSQ}$		100		150	mV
HS Disconnect Threshold	$V_{HSDSC}$		525		625	mV
<b>Output Levels</b>						
High Speed Low Level Output Voltage (DP/DM referenced to GND)	$V_{HSOL}$	45 $\Omega$ load	-10		10	mV
High Speed High Level Output Voltage (DP/DM referenced to GND)	$V_{HSOH}$	45 $\Omega$ load	360		440	mV
High Speed IDLE Level Output Voltage (DP/DM referenced to GND)	$V_{OLHS}$	45 $\Omega$ load	-10		10	mV
<b>Leakage Current</b>						
OFF-State Leakage Current	$I_{LZ}$				$\pm 10$	$\mu A$
<b>Port Capacitance</b>						
Transceiver Input Capacitance	$C_{IN}$	Pin to GND		5	10	pF

**Note 10-3** The resistor value follows the 27% Resistor ECN published by the USB-IF.

# USB3503

## 10.6 Dynamic Characteristics: Digital I/O Pins

**TABLE 10-9: DYNAMIC CHARACTERISTICS: DIGITAL I/O PINS (RESET\_N)**

Parameter	Symbol	Conditions	MIN	TYP	MAX	Units
Minimum Active Low Pulse on RESET_N	T <sub>RESET</sub>	RESET_N = '0'	1			ms

## 10.7 Dynamic Characteristics: Analog I/O Pins

**TABLE 10-10: DYNAMIC CHARACTERISTICS: ANALOG I/O PINS (DP/DM)**

Parameter	Symbol	Conditions	MIN	TYP	MAX	Units
<b>FS Output Driver Timing</b>						
FS Rise Time	T <sub>FR</sub>	C <sub>L</sub> = 50pF; 10 to 90% of  V <sub>OH</sub> - V <sub>OL</sub>	4		20	ns
FS Fall Time	T <sub>FF</sub>	C <sub>L</sub> = 50pF; 10 to 90% of  V <sub>OH</sub> - V <sub>OL</sub>	4		20	ns
Output Signal Crossover Voltage	V <sub>CRS</sub>	Excluding the first transition from IDLE state	1.3		2.0	V
Differential Rise/Fall Time Matching	T <sub>FRFM</sub>	Excluding the first transition from IDLE state	90		111.1	%
<b>LS Output Driver Timing</b>						
LS Rise Time	T <sub>LR</sub>	C <sub>L</sub> = 50-600pF; 10 to 90% of  V <sub>OH</sub> - V <sub>OL</sub>	75		300	ns
LS Fall Time	T <sub>LF</sub>	C <sub>L</sub> = 50-600pF; 10 to 90% of  V <sub>OH</sub> - V <sub>OL</sub>	75		300	ns
Differential Rise/Fall Time Matching	T <sub>LRFM</sub>	Excluding the first transition from IDLE state	80		125	%
<b>HS Output Driver Timing</b>						
Differential Rise Time	T <sub>HSR</sub>		500			ps
Differential Fall Time	T <sub>HSF</sub>		500			ps
Driver Waveform Requirements		Eye pattern of Template 1 in USB 2.0 specification				
<b>High Speed Mode Timing</b>						
Receiver Waveform Requirements		Eye pattern of Template 4 in USB 2.0 specification				
Data Source Jitter and Receiver Jitter Tolerance		Eye pattern of Template 4 in USB 2.0 specification				

## 10.8 Regulator Output Voltages and Capacitor Requirement

**TABLE 10-11: REGULATOR OUTPUT VOLTAGES AND CAPACITOR REQUIREMENT**

Parameter	Symbol	Conditions	MIN	TYP	MAX	Units
Regulator Output Voltage	V <sub>DD33</sub>	5.5V > V <sub>BAT</sub> > 2.9V	2.8	3.3	3.6	V
Regulator Capacitor	C <sub>BYP33</sub>		4.7			μF
Capacitor ESR	C <sub>ESR33</sub>				1	Ω
Regulator Output Voltage	V <sub>DD12</sub>	3.6V > V <sub>DD33</sub> > 2.8V	1.1	1.2	1.3	V
Regulator Capacitor	C <sub>BYP12</sub>		1.0			μF
Capacitor ESR	C <sub>ESR12</sub>				1	Ω



## 10.9 ESD and Latch-Up Performance

**TABLE 10-12: ESD AND LATCH-UP PERFORMANCE**

Parameter	Conditions	MIN	TYP	MAX	Units	Comments
<b>ESD PERFORMANCE</b>						
	Human Body Model			±5	kV	Device
System	EN/IEC 61000-4-2 Contact Discharge			±15	kV	3rd party system test
System	EN/IEC 61000-4-2 Air-gap Discharge			±15	kV	3rd party system test
<b>LATCH-UP PERFORMANCE</b>						
All Pins	EIA/JESD 78, Class II		150		mA	

### 10.10 ESD Performance

The USB3503 is protected from ESD strikes. By eliminating the requirement for external ESD protection devices, board space is conserved, and the board manufacturer is enabled to reduce cost. The advanced ESD structures integrated into the USB3503 protect the device whether or not it is powered up.

#### 10.10.1 HUMAN BODY MODEL (HBM) PERFORMANCE

HBM testing verifies the ability to withstand the ESD strikes like those that occur during handling and manufacturing, and is done without power applied to the IC. To pass the test, the device must have no change in operation or performance due to the event. All pins on the USB3503 provide ±5 kV HBM protection, as shown in [Table 10-12](#).

#### 10.10.2 EN 61000-4-2 PERFORMANCE

The EN 61000-4-2 ESD specification is an international standard that addresses system-level immunity to ESD strikes while the end equipment is operational. In contrast, the HBM ESD tests are performed at the device level with the device powered down.

Microchip contracts with Independent laboratories to test the USB3503 to EN 61000-4-2 in a working system. Reports are available upon request. Please contact your representative, and request information on 3rd party ESD test results. The reports show that systems designed with the USB3503 can safely provide the ESD performance without additional board level protection.

In addition to defining the ESD tests, EN 61000-4-2 also categorizes the impact to equipment operation when the strike occurs (ESD Result Classification). Both air discharge and contact discharge test techniques for applying stress conditions are defined by the EN 61000-4-2 ESD document.

#### 10.10.3 AIR DISCHARGE

To perform this test, a charged electrode is moved close to the system being tested until a spark is generated. This test is difficult to reproduce because the discharge is influenced by such factors as humidity, the speed of approach of the electrode, and construction of the test equipment.

#### 10.10.4 CONTACT DISCHARGE

The uncharged electrode first contacts the pin to prepare this test, and then the probe tip is energized. This yields more repeatable results, and is the preferred test method. The independent test laboratories contracted by Microchip provide test results for both types of discharge methods.

# USB3503

---

## 10.11 AC Specifications

### 10.11.1 REFCLK

External Clock: 50% duty cycle  $\pm 10\%$ ,  $\pm 350\text{ppm}$ , Jitter < 100ps rms.

### 10.11.2 SERIAL INTERFACE

The Hub conforms to AC specifications as set forth in the I<sup>2</sup>C Specification for Slave-Only devices.

### 10.11.3 USB 2.0

The Hub conforms to all voltage, power, and timing characteristics and specifications as set forth in the USB 2.0 Specification. Please refer to the USB 2.0 Specification which is available from the [www.usb.org](http://www.usb.org) web site.

### 10.11.4 USB 2.0 HSIC

The upstream port of the HSIC Hub conforms to all voltage, power, and timing characteristics and specifications as set forth in the High-Speed Inter-Chip USB Electrical Specification Version 1.0. Please refer to the USB 2.0 HSIC Specification which is available from the [www.usb.org](http://www.usb.org) web site.

## 11.0 APPLICATION REFERENCE

### 11.1 Application Diagram

The USB3503 requires several external components to function and insure compliance with the USB 2.0 specification.

**TABLE 11-1: COMPONENT VALUES IN APPLICATION DIAGRAMS**

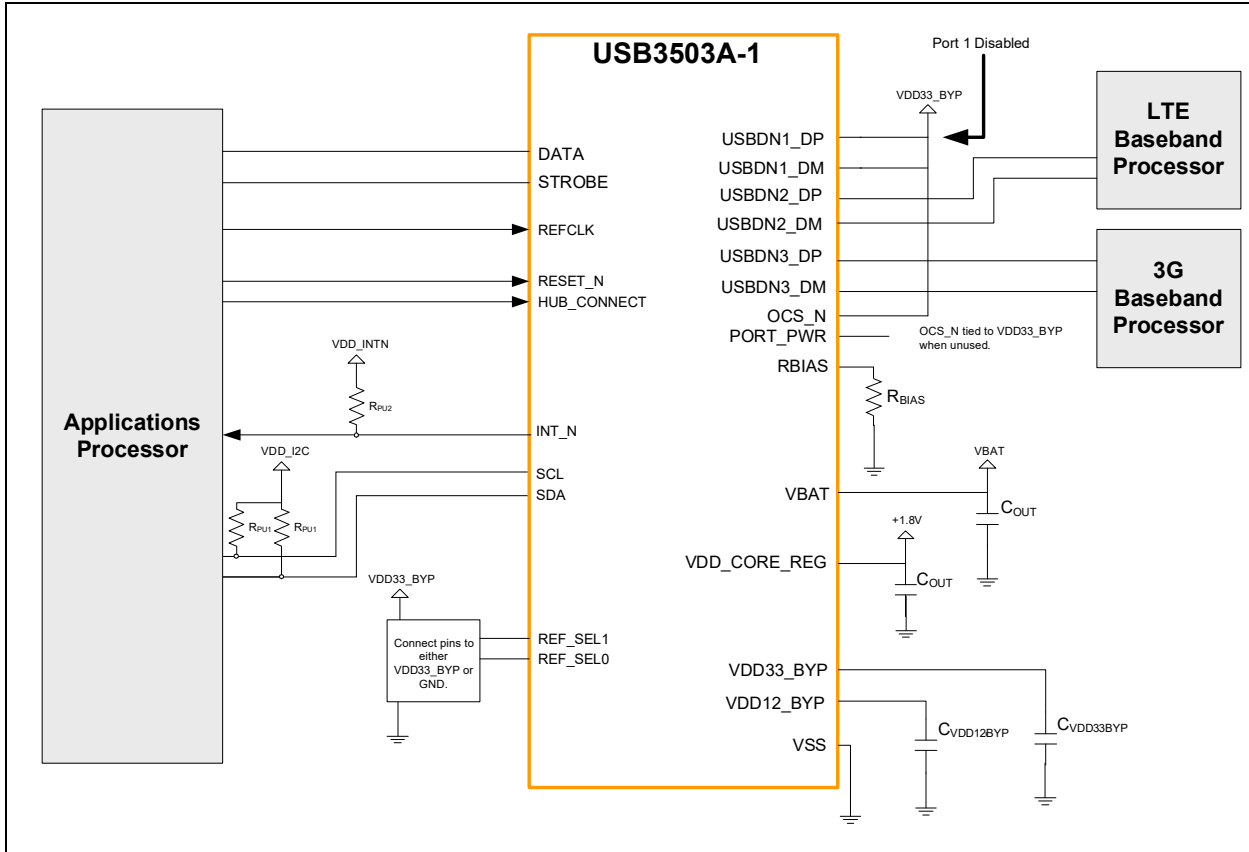
Reference Designator	Value	Description	Notes
C <sub>VDD12BYP</sub>	1.0 $\mu$ F	Capacitor to ground for regulator stability.	Place as close to the USB3503 as possible
C <sub>VDD33BYP</sub>	4.7 $\mu$ F	Capacitor to ground for regulator stability.	Place as close to the USB3503 as possible
C <sub>OUT</sub>	0.1 $\mu$ F	Bypass capacitor to ground.	Place as close to the USB3503 as possible
R <sub>BIAS</sub>	12.0k	Series resistor to establish reference voltage used by analog circuits.	Place as close to the USB3503 as possible
R <sub>PU1</sub>	10k or 1k	Pull-up for I <sup>2</sup> C bus. 10k for 100kHz or 400kHz operation. 1k for 1MHz operation.	
R <sub>PU2</sub>	10k (or greater)	Pull-up for open-drain outputs	

**TABLE 11-2: CAPACITANCE VALUES AT VBUS OF USB CONNECTOR**

Port	MIN Value	MAX Value
Downstream	120 $\mu$ F	

# USB3503

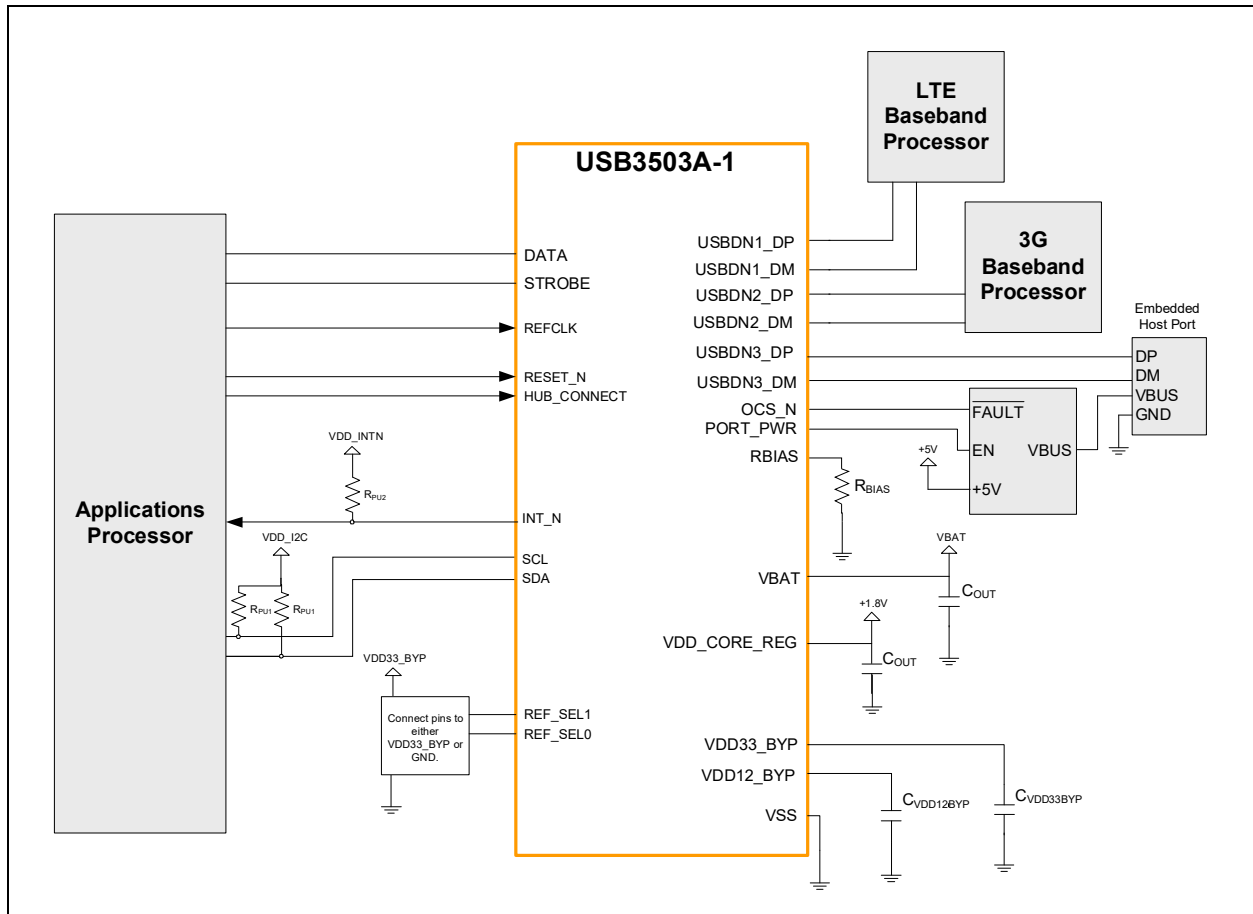
FIGURE 11-1: INTERNAL CHIP-TO-CHIP INTERFACE



**Note 1:** While RESET\_N is driven low, all other inputs from Applications Processor should also be driven low in order to minimize current draw.

**2:** To disable a downstream port, tie DP and DM to VDD33\_BYP pin of the USB3503.

**FIGURE 11-2: INTERNAL CHIP-TO-CHIP INTERFACE WITH EMBEDDED HOST PORT**

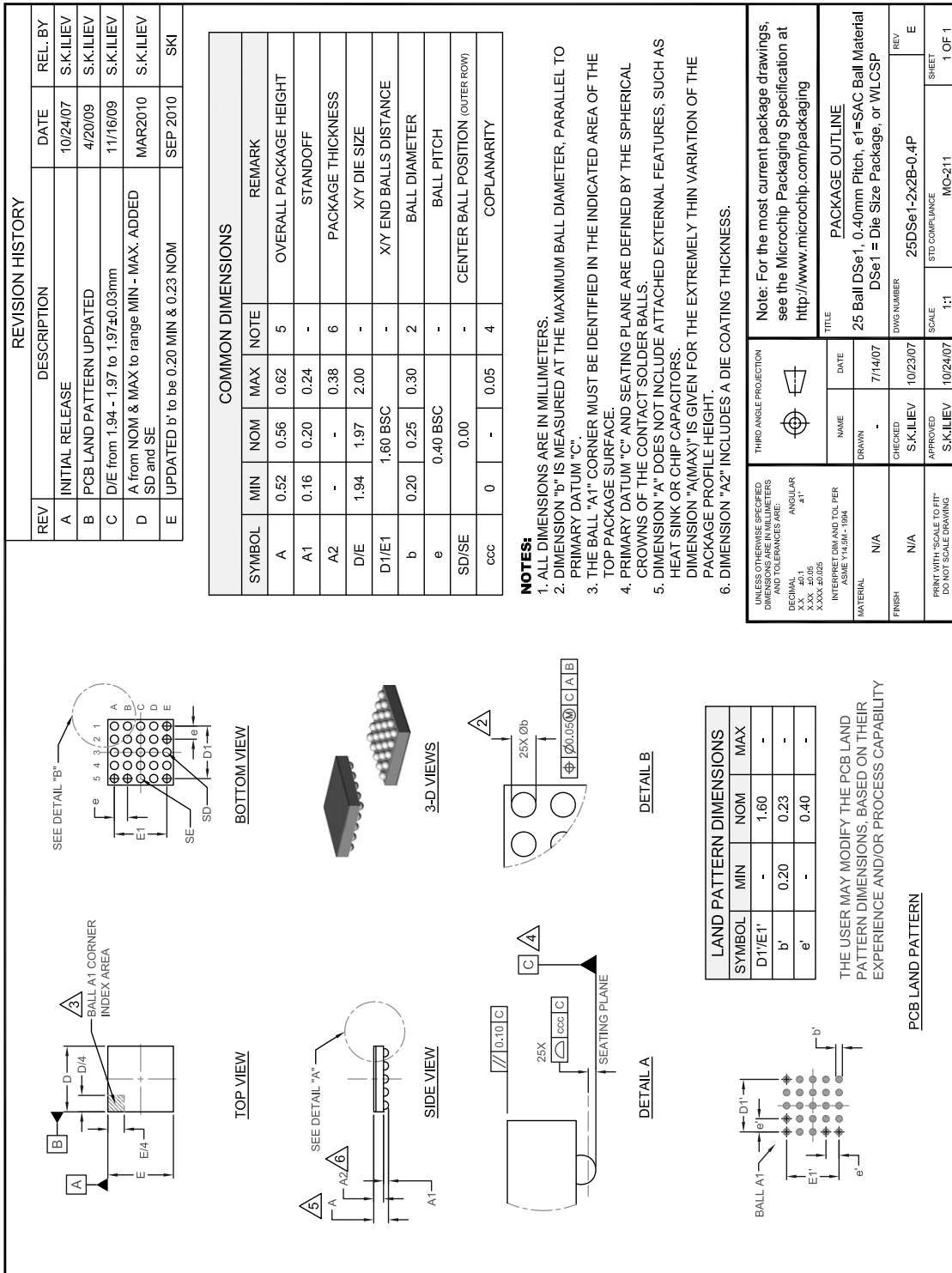


# USB3503

## 12.0 PACKAGE OUTLINES, TAPE & REEL DRAWINGS, PACKAGE MARKING

### 12.1 25-Ball WLCSP

FIGURE 12-1: 25-BALL WLCSP, 1.97X1.97MM BODY, 0.4MM PITCH PACKAGE DRAWING



**FIGURE 12-2: 25-BALL WLCSP TAPE AND REEL**

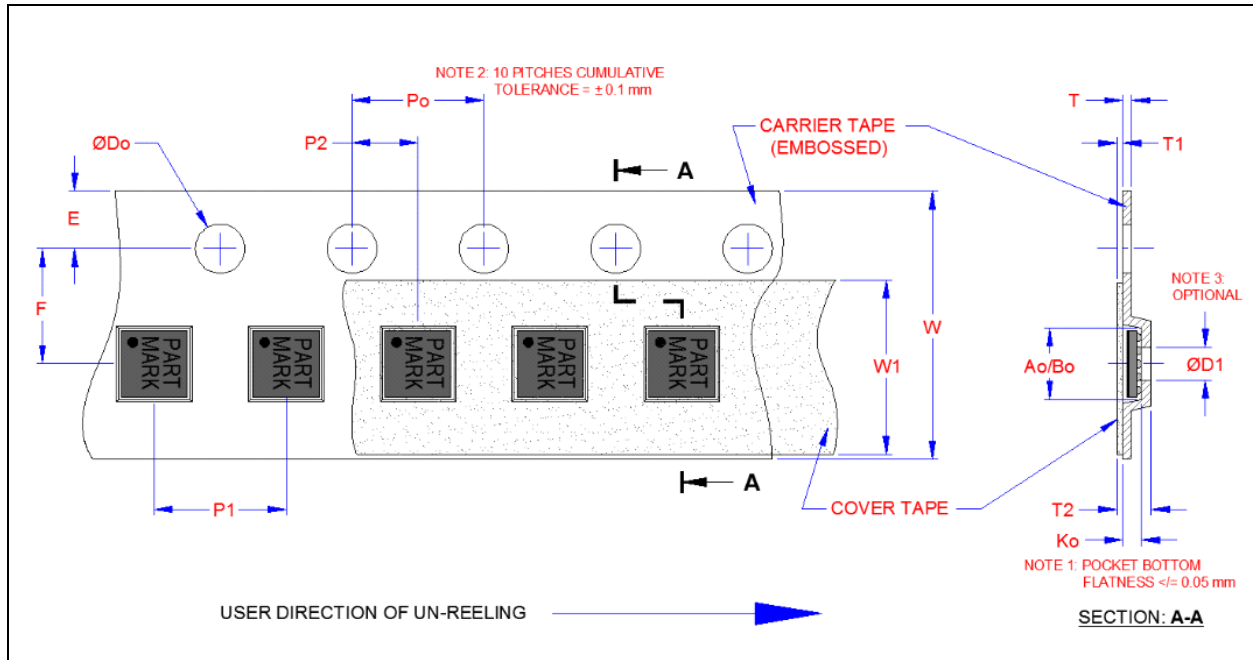
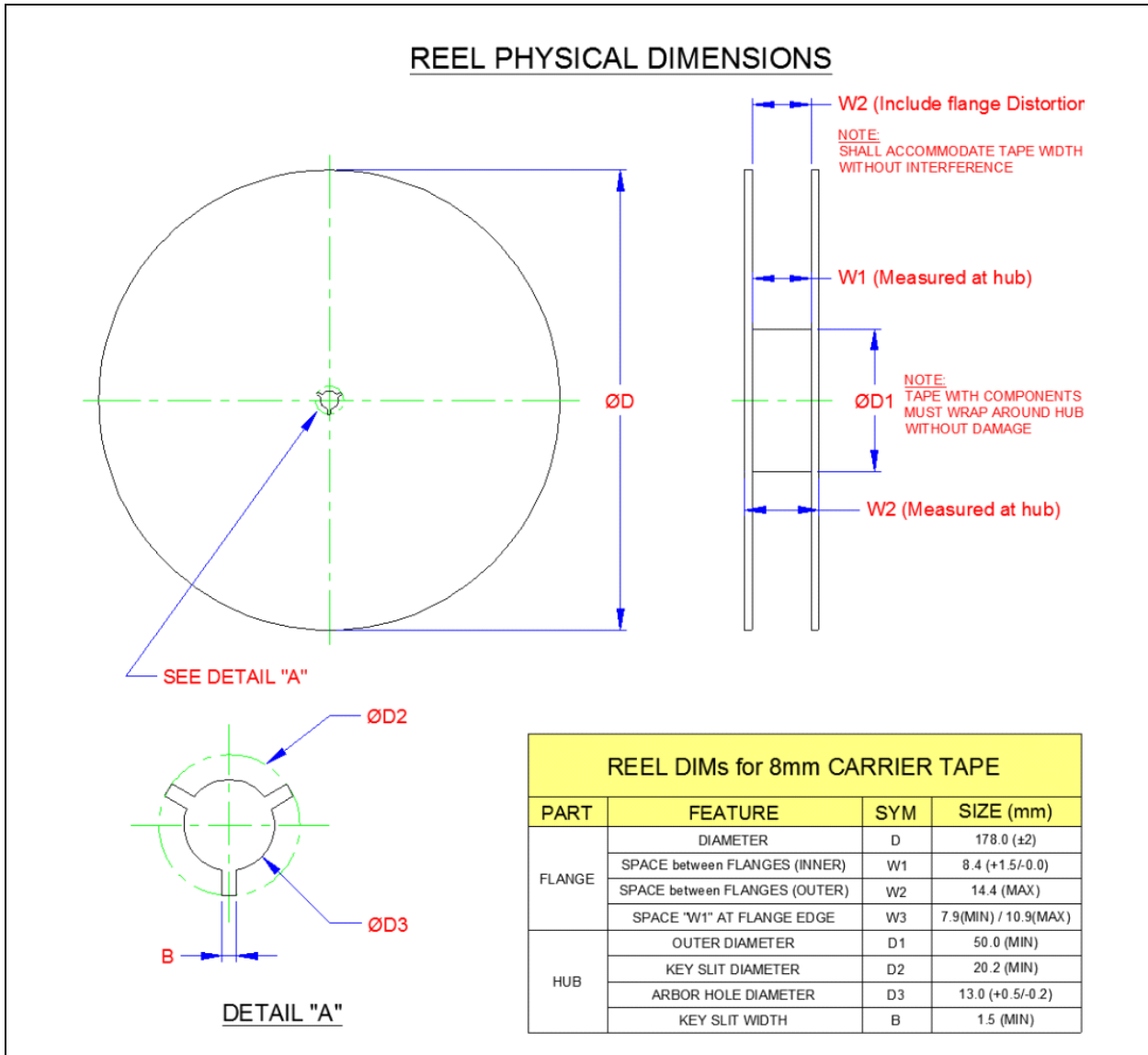
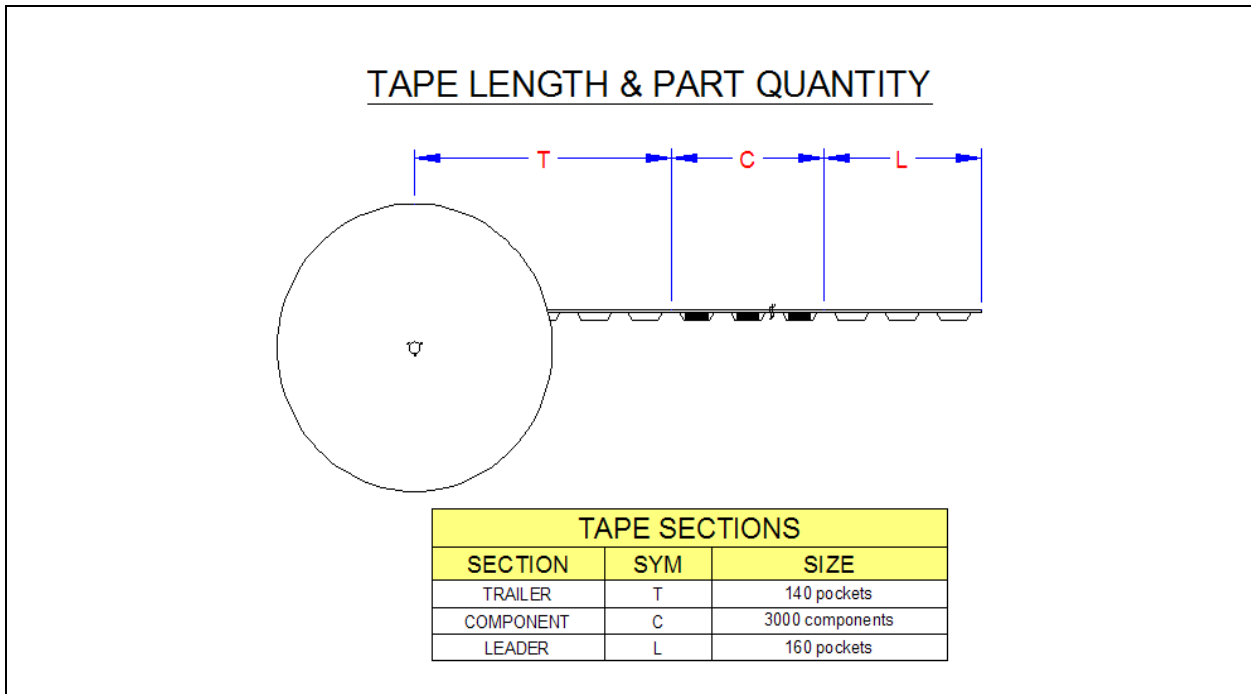


FIGURE 12-3: 25-BALL WLCSP REEL DIMENSIONS

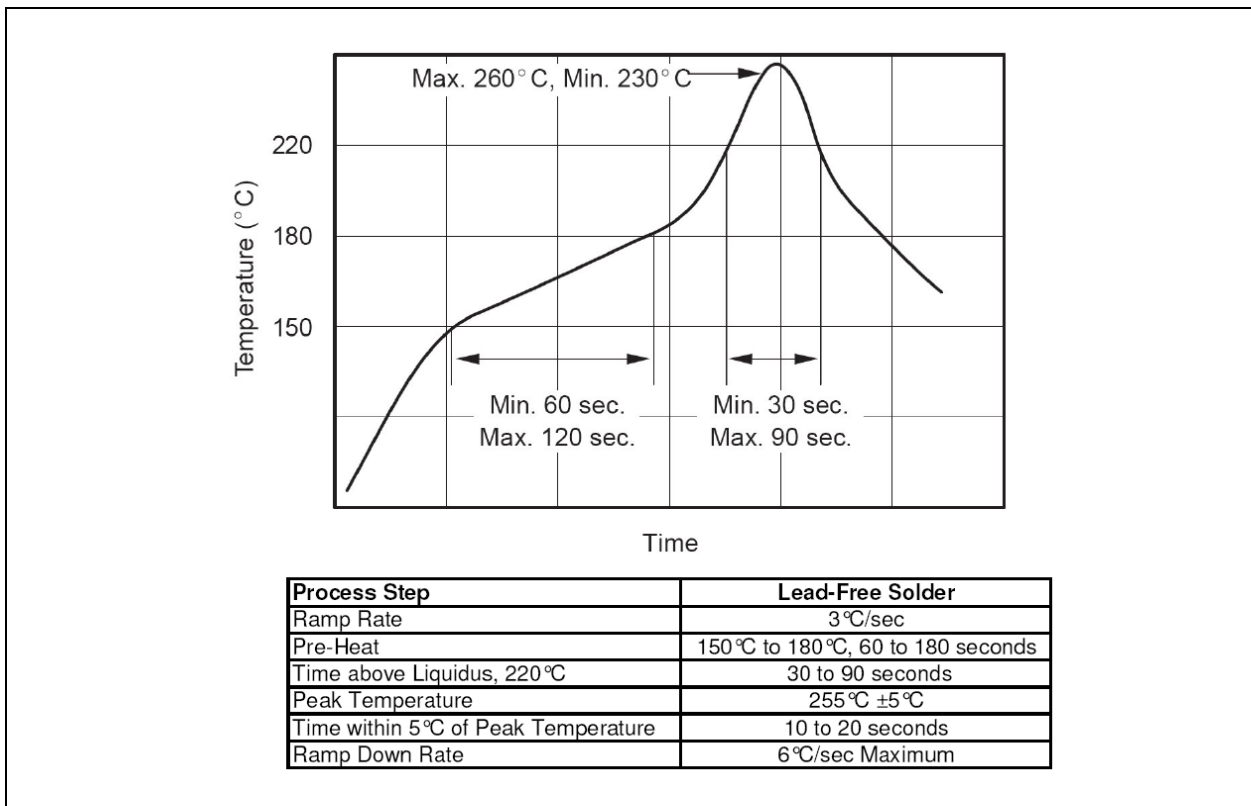




**FIGURE 12-4: 25-BALL WLCSP TAPE SECTIONS**

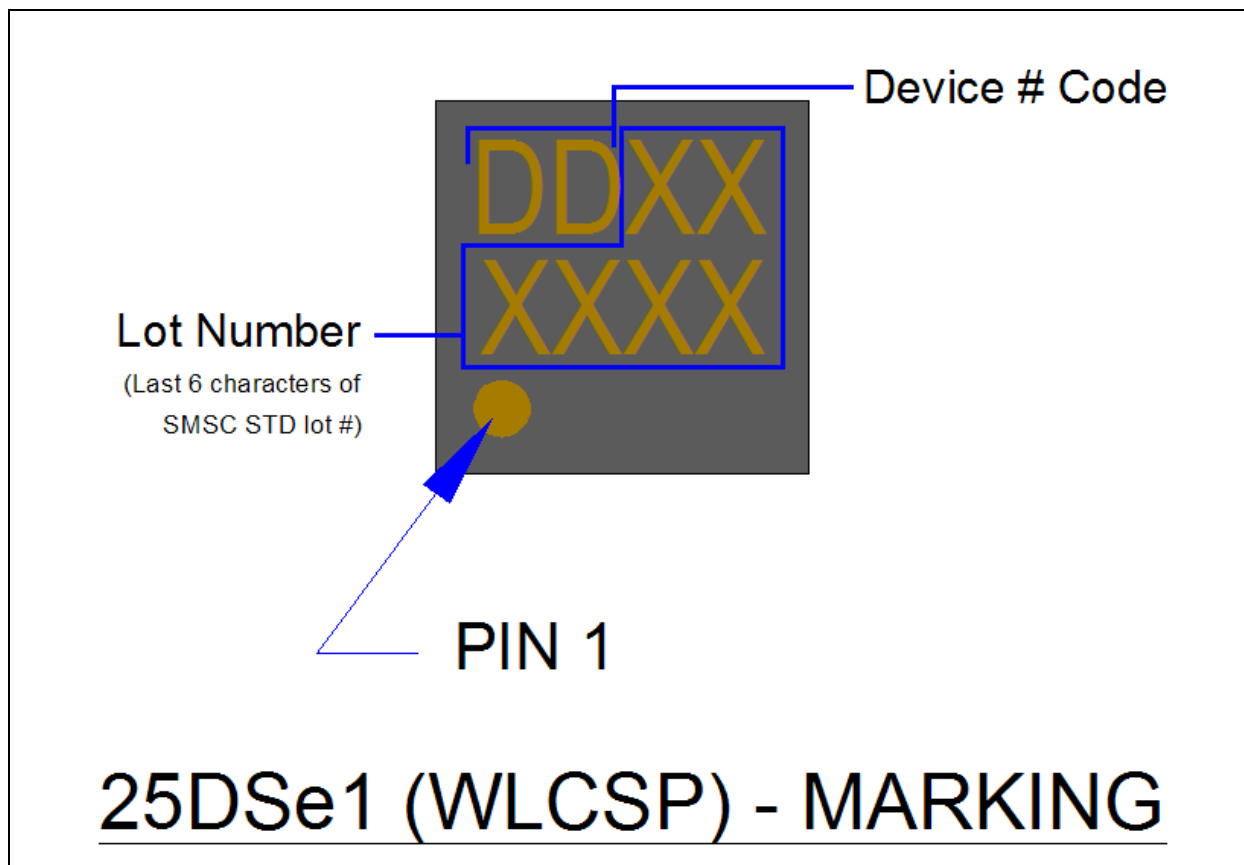


**FIGURE 12-5: 25-BALL WLCSP REFLOW PROFILE AND CRITICAL PARAMETERS FOR ROHS COMPLIANT (SNAGCU) SOLDER**



# USB3503

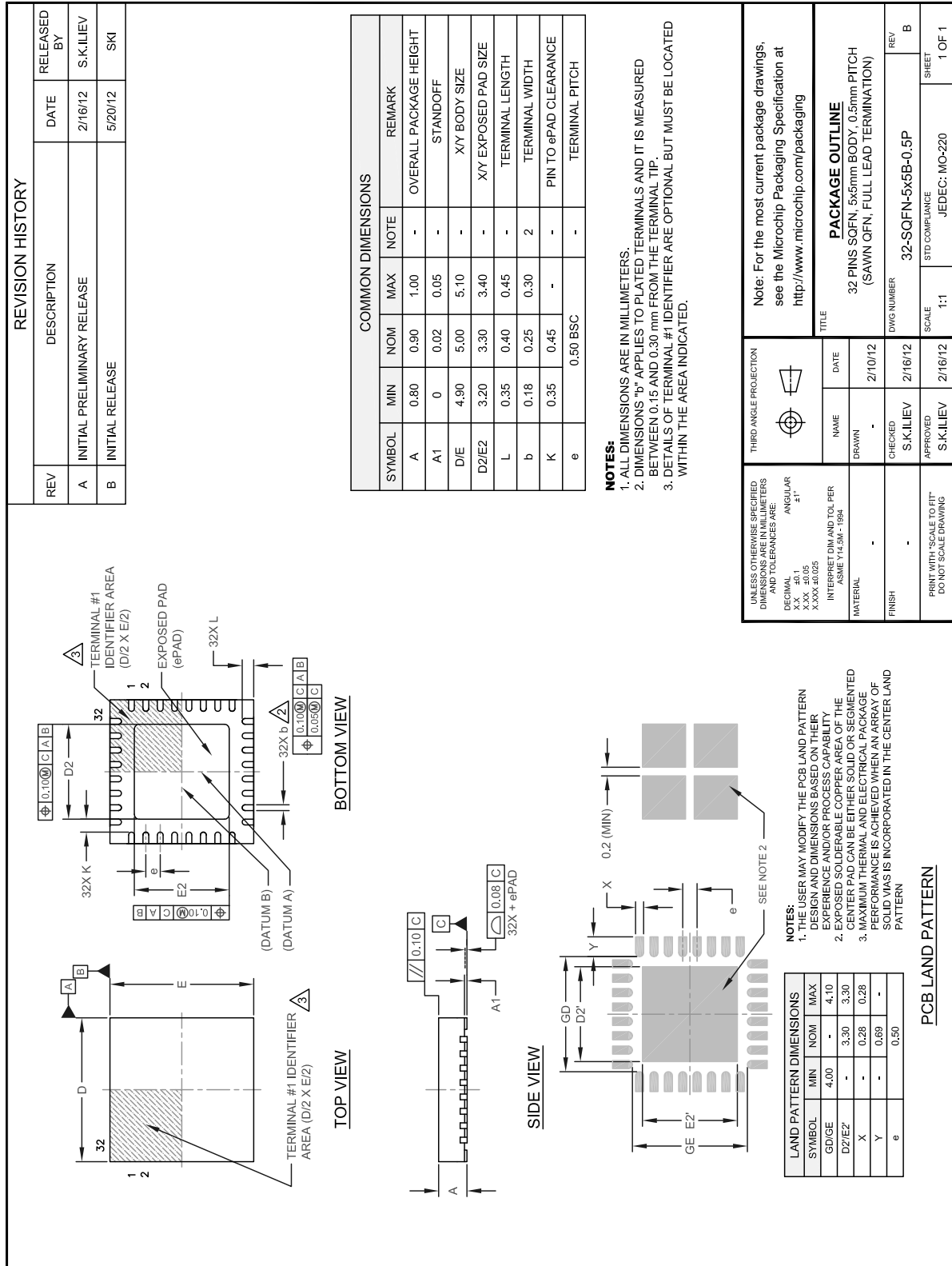
FIGURE 12-6: 25-BALL WLCSP PACKAGE MARKING



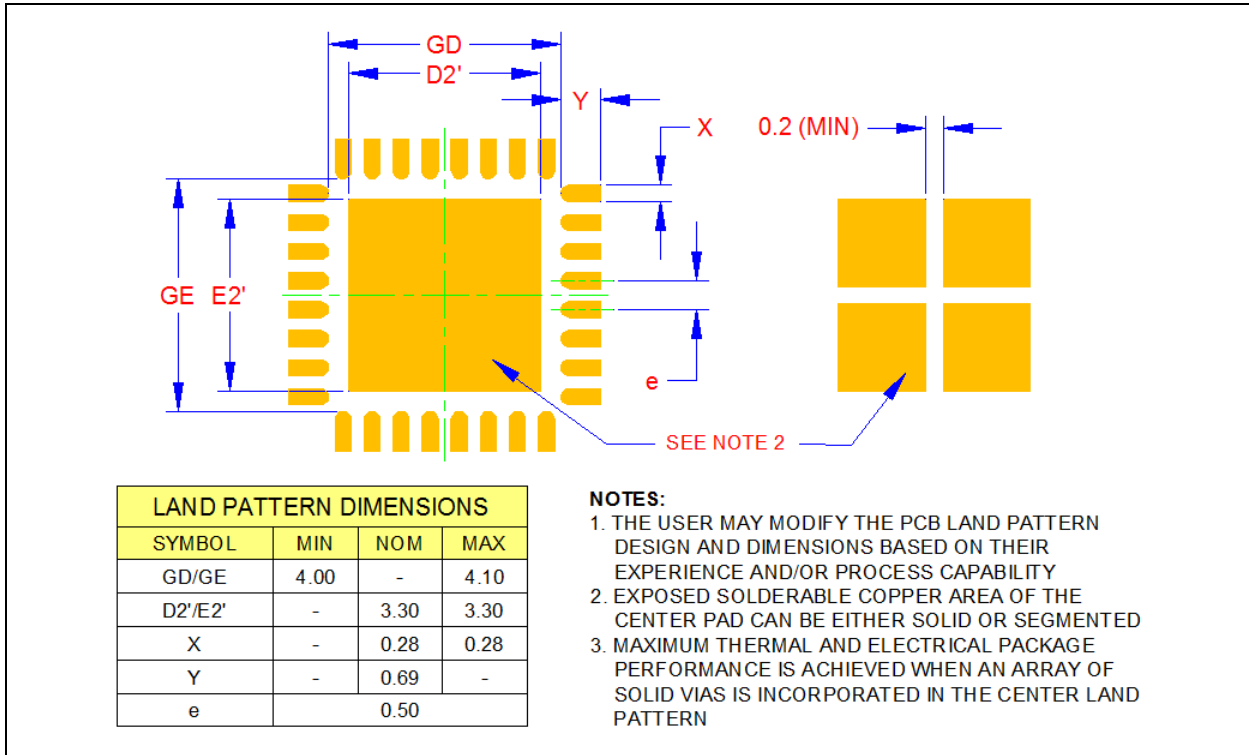
**Note:** The Device # Code for the USB3503 is "05".

## 12.2 32-Pin SQFN

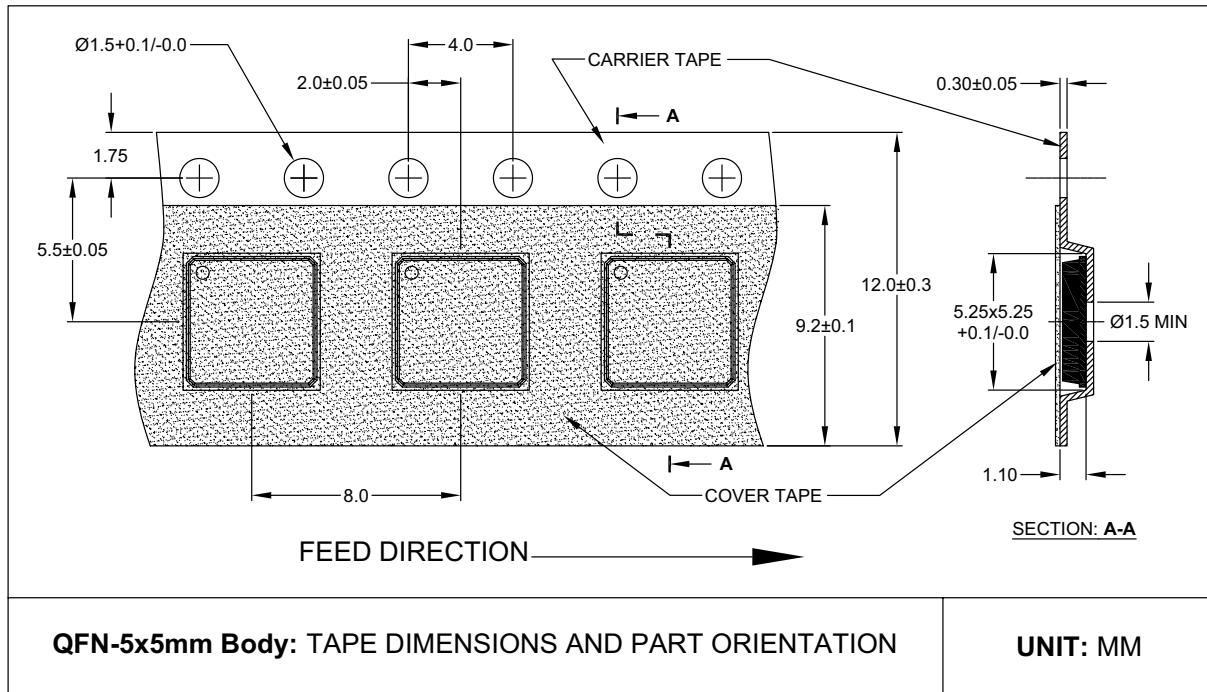
FIGURE 12-7: 32-PIN SQFN (5.0MM X 5.0MM) PACKAGE



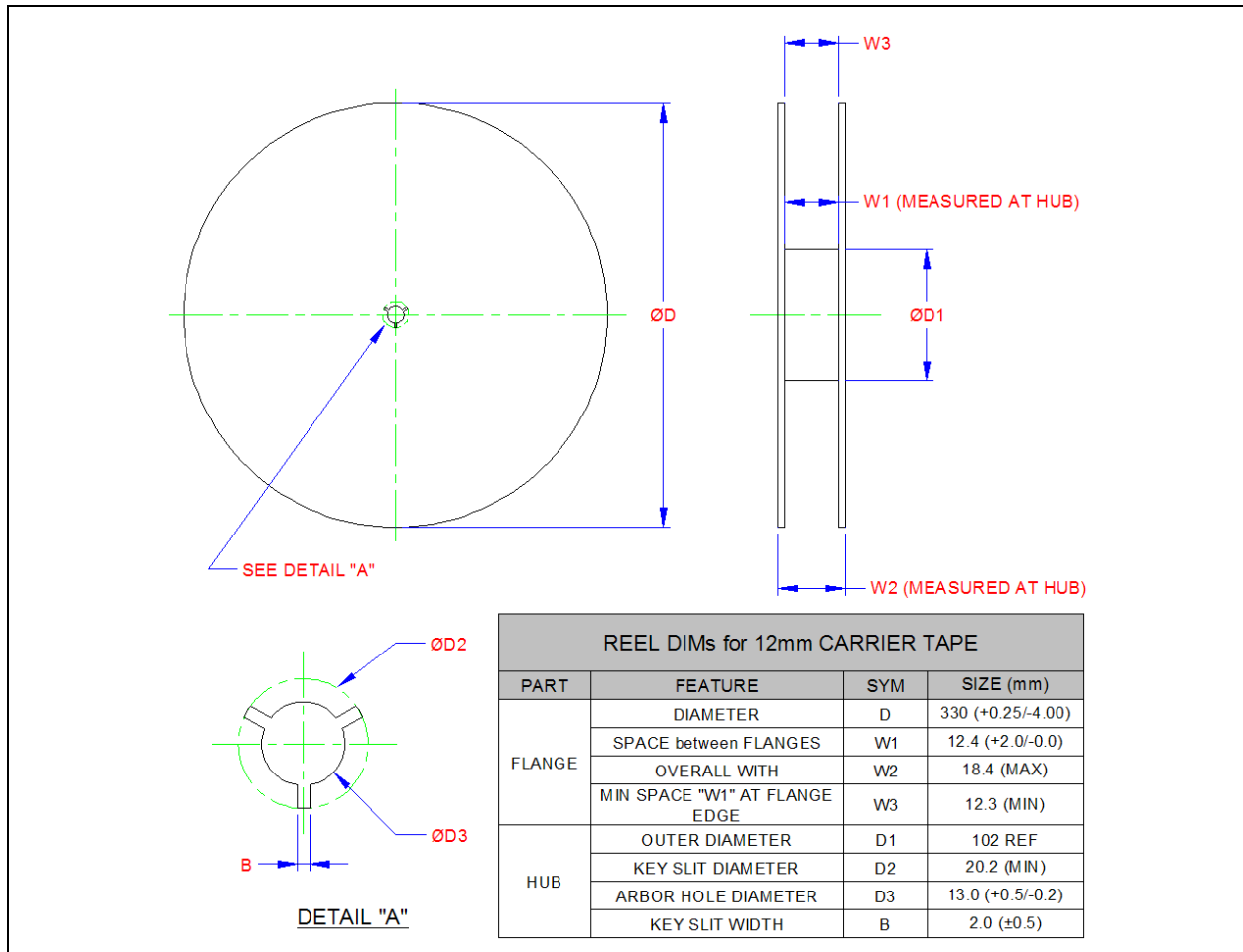
**FIGURE 12-8: RECOMMENDED PCB LAND PATTERN**



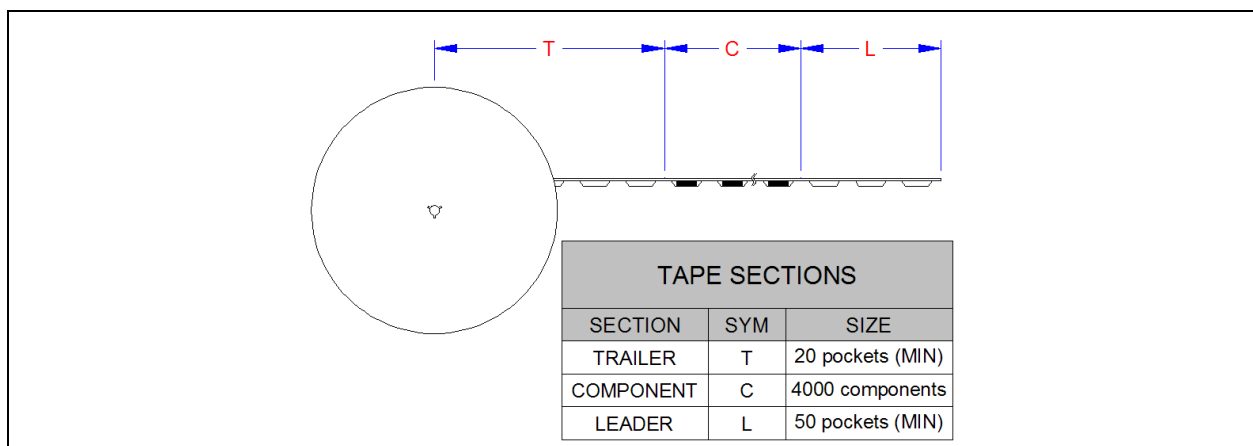
**FIGURE 12-9: TAPING DIMENSIONS AND PART ORIENTATION**



**FIGURE 12-10: REEL DIMENSIONS**



**FIGURE 12-11: TAPE LENGTH AND PART QUANTITY**



**Note:** Standard reel size is 4,000 pieces per reel.

# USB3503

## APPENDIX A: DATA SHEET REVISION HISTORY

TABLE A-1: REVISION HISTORY

REVISION LEVEL	SECTION/FIGURE/ENTRY	CORRECTION
DS00001584C (02-17-20)	Table 10-1, "Absolute Maximum Ratings"	Added junction temperature information.
	Table 10-3, "25-BALL WLCSP PACKAGE THERMAL PARAMETERS", Table 10-4, "32-PIN SQFN PACKAGE THERMAL PARAMETERS"	Added package thermal parameters tables.
DS00001584B (03-18-15)	Section 10.6, "Dynamic Characteristics: Digital I/O Pins," on page 56	Changed RESET_N minimum active low pulse from 100 $\mu$ s to 1ms.
	FIGURE 12-6: 25-Ball WLCSP Package Marking on page 66	Added note under figure: "Note: The Device # Code for the USB3503 is "05"."
DS00001584A replaces the previous SMSC version 1.2.		
Rev. 1.2 (08-22-13)	All	Added 32-SQFN pinout and package information
Rev. 1.1 (02-07-13)	Document co-branded: Microchip logo added, company disclaimer modified.	
Rev. 1.1 (12-19-11)	Table 4-2, "Timing Parameters for Hub Stages"	Removed the second sentence in the Standby Summary: "All port interfaces are high impedance"
	Section 4.2.1, "External Hardware RESET_N"	Removed second bullet: "The USB data pins will be in a high-impedance state."
	Table 3-4, "USB3503 Secondary Reference Clock Frequencies"	Changed Frequency values in TABLE 3-4: as follows: 01 = 27.0MHz 10 = 25.0MHz
Rev. 1.0 (10-24-11)	Document release	

## THE MICROCHIP WEB SITE

Microchip provides online support via our WWW site at [www.microchip.com](http://www.microchip.com). This web site is used as a means to make files and information easily available to customers. Accessible by using your favorite Internet browser, the web site contains the following information:

- **Product Support** – Data sheets and errata, application notes and sample programs, design resources, user's guides and hardware support documents, latest software releases and archived software
- **General Technical Support** – Frequently Asked Questions (FAQ), technical support requests, online discussion groups, Microchip consultant program member listing
- **Business of Microchip** – Product selector and ordering guides, latest Microchip press releases, listing of seminars and events, listings of Microchip sales offices, distributors and factory representatives

## CUSTOMER CHANGE NOTIFICATION SERVICE

Microchip's customer notification service helps keep customers current on Microchip products. Subscribers will receive e-mail notification whenever there are changes, updates, revisions or errata related to a specified product family or development tool of interest.

To register, access the Microchip web site at [www.microchip.com](http://www.microchip.com). Under "Support", click on "Customer Change Notification" and follow the registration instructions.

## CUSTOMER SUPPORT

Users of Microchip products can receive assistance through several channels:

- Distributor or Representative
- Local Sales Office
- Field Application Engineer (FAE)
- Technical Support

Customers should contact their distributor, representative or field application engineer (FAE) for support. Local sales offices are also available to help customers. A listing of sales offices and locations is included in the back of this document.

**Technical support is available through the web site at: <http://www.microchip.com/support>**

# USB3503

## USB3503 25-WLCSP PRODUCT IDENTIFICATION SYSTEM

To order or obtain information, e.g., on pricing or delivery, refer to the factory or the listed sales office.

<u>PART NO.</u>	<u>[X]<sup>(1)</sup></u>	<u>X</u>	<u>/XX</u>	<u>XXX</u>																																					
Device	Tape and Reel Option	Temperature Range	Package	Pattern																																					
<table border="1"> <tr> <td><b>Device:</b></td> <td colspan="5">USB3503</td> </tr> <tr> <td><b>Tape and Reel Option:</b></td> <td>Blank</td> <td colspan="4">= Standard packaging (tube or tray)</td> </tr> <tr> <td></td> <td>T</td> <td colspan="4">= Tape and Reel<sup>(1)</sup></td> </tr> <tr> <td><b>Temperature Range:</b></td> <td>i</td> <td>= -40°C to +85°C</td> <td colspan="3">(Industrial)</td> </tr> <tr> <td></td> <td>Blank</td> <td>= 0°C to +70°C</td> <td colspan="3">(Commercial)</td> </tr> <tr> <td><b>Package:</b></td> <td>GL</td> <td colspan="4">= WLCSP</td> </tr> </table>						<b>Device:</b>	USB3503					<b>Tape and Reel Option:</b>	Blank	= Standard packaging (tube or tray)					T	= Tape and Reel <sup>(1)</sup>				<b>Temperature Range:</b>	i	= -40°C to +85°C	(Industrial)				Blank	= 0°C to +70°C	(Commercial)			<b>Package:</b>	GL	= WLCSP			
<b>Device:</b>	USB3503																																								
<b>Tape and Reel Option:</b>	Blank	= Standard packaging (tube or tray)																																							
	T	= Tape and Reel <sup>(1)</sup>																																							
<b>Temperature Range:</b>	i	= -40°C to +85°C	(Industrial)																																						
	Blank	= 0°C to +70°C	(Commercial)																																						
<b>Package:</b>	GL	= WLCSP																																							
<p><b>Examples:</b></p> <p>a) USB3503A-1-GL-TR 0C to 70C temperature range, 25-Ball WLCSP, 3000 piece reel</p> <p>b) USB3503Ai-1-GL-TR: -40C to 85C temperature range, 25-Ball WLCSP, 3000 piece reel</p> <p><b>Note 1:</b> Tape and Reel identifier only appears in the catalog part number description. This identifier is used for ordering purposes and is not printed on the device package. Check with your Microchip Sales Office for package availability with the Tape and Reel option.</p>																																									

## USB3503 32-SQFN PRODUCT IDENTIFICATION SYSTEM

To order or obtain information, e.g., on pricing or delivery, refer to the factory or the listed sales office.

<u>PART NO.</u>	<u>[X]<sup>(1)</sup></u>	<u>X</u>	<u>/XX</u>	<u>XXX</u>																																					
Device	Tape and Reel Option	Temperature Range	Package	Pattern																																					
<table border="1"> <tr> <td><b>Device:</b></td> <td colspan="5">USB3503</td> </tr> <tr> <td><b>Tape and Reel Option:</b></td> <td>Blank</td> <td colspan="4">= Standard packaging (tube or tray)</td> </tr> <tr> <td></td> <td>T</td> <td colspan="4">= Tape and Reel<sup>(1)</sup></td> </tr> <tr> <td><b>Temperature Range:</b></td> <td>i</td> <td>= -40°C to +85°C</td> <td colspan="3">(Industrial)</td> </tr> <tr> <td></td> <td>Blank</td> <td>= 0°C to +70°C</td> <td colspan="3">(Commercial)</td> </tr> <tr> <td><b>Package:</b></td> <td>ML</td> <td colspan="4">= SQFN</td> </tr> </table>						<b>Device:</b>	USB3503					<b>Tape and Reel Option:</b>	Blank	= Standard packaging (tube or tray)					T	= Tape and Reel <sup>(1)</sup>				<b>Temperature Range:</b>	i	= -40°C to +85°C	(Industrial)				Blank	= 0°C to +70°C	(Commercial)			<b>Package:</b>	ML	= SQFN			
<b>Device:</b>	USB3503																																								
<b>Tape and Reel Option:</b>	Blank	= Standard packaging (tube or tray)																																							
	T	= Tape and Reel <sup>(1)</sup>																																							
<b>Temperature Range:</b>	i	= -40°C to +85°C	(Industrial)																																						
	Blank	= 0°C to +70°C	(Commercial)																																						
<b>Package:</b>	ML	= SQFN																																							
<p><b>Examples:</b></p> <p>a) USB3503/ML 0C to 70C temperature range, 32-Pin SQFN, tray</p> <p>b) USB3503-i/ML -40C to 85C temperature range, 32-Pin SQFN, tray</p> <p>c) USB3503T/ML - 0C to 70C temperature range, 32-Pin SQFN, 5000 piece reel</p> <p>d) USB3503T-i/ML -40C to 85C temperature range, 32-Pin SQFN, 5000 piece reel</p> <p><b>Note 1:</b> Tape and Reel identifier only appears in the catalog part number description. This identifier is used for ordering purposes and is not printed on the device package. Check with your Microchip Sales Office for package availability with the Tape and Reel option.</p>																																									



**Note the following details of the code protection feature on Microchip devices:**

- Microchip products meet the specification contained in their particular Microchip Data Sheet.
- Microchip believes that its family of products is one of the most secure families of its kind on the market today, when used in the intended manner and under normal conditions.
- There are dishonest and possibly illegal methods used to breach the code protection feature. All of these methods, to our knowledge, require using the Microchip products in a manner outside the operating specifications contained in Microchip's Data Sheets. Most likely, the person doing so is engaged in theft of intellectual property.
- Microchip is willing to work with the customer who is concerned about the integrity of their code.
- Neither Microchip nor any other semiconductor manufacturer can guarantee the security of their code. Code protection does not mean that we are guaranteeing the product as “unbreakable.”

Code protection is constantly evolving. We at Microchip are committed to continuously improving the code protection features of our products. Attempts to break Microchip's code protection feature may be a violation of the Digital Millennium Copyright Act. If such acts allow unauthorized access to your software or other copyrighted work, you may have a right to sue for relief under that Act.

Information contained in this publication regarding device applications and the like is provided only for your convenience and may be superseded by updates. It is your responsibility to ensure that your application meets with your specifications. MICROCHIP MAKES NO REPRESENTATIONS OR WARRANTIES OF ANY KIND WHETHER EXPRESS OR IMPLIED, WRITTEN OR ORAL, STATUTORY OR OTHERWISE, RELATED TO THE INFORMATION, INCLUDING BUT NOT LIMITED TO ITS CONDITION, QUALITY, PERFORMANCE, MERCHANTABILITY OR FITNESS FOR PURPOSE. Microchip disclaims all liability arising from this information and its use. Use of Microchip devices in life support and/or safety applications is entirely at the buyer's risk, and the buyer agrees to defend, indemnify and hold harmless Microchip from any and all damages, claims, suits, or expenses resulting from such use. No licenses are conveyed, implicitly or otherwise, under any Microchip intellectual property rights.

**Trademarks**

The Microchip name and logo, the Microchip logo, Adaptec, AnyRate, AVR, AVR logo, AVR Freaks, BesTime, BitCloud, chipKIT, chipKIT logo, CryptoMemory, CryptoRF, dsPIC, FlashFlex, flexPWR, HELDO, IGLOO, JukeBlox, KeeLoq, Klear, LANCheck, LinkMD, maXStylus, maXTouch, MediaLB, megaAVR, Microsemi, Microsemi logo, MOST, MOST logo, MPLAB, OptoLyzer, PackeTime, PIC, picoPower, PICSTART, PIC32 logo, PolarFire, Prochip Designer, QTouch, SAM-BA, SenGenuity, SpyNIC, SST, SST Logo, SuperFlash, Symmetricom, SyncServer, Tachyon, TempTrackr, TimeSource, tinyAVR, UNI/O, Vectron, and XMEGA are registered trademarks of Microchip Technology Incorporated in the U.S.A. and other countries.

APT, ClockWorks, The Embedded Control Solutions Company, EtherSynch, FlashTec, Hyper Speed Control, HyperLight Load, IntelliMOS, Libero, motorBench, mTouch, Powermite 3, Precision Edge, ProASIC, ProASIC Plus, ProASIC Plus logo, Quiet-Wire, SmartFusion, SyncWorld, Temux, TimeCesium, TimeHub, TimePictra, TimeProvider, Vite, WinPath, and ZL are registered trademarks of Microchip Technology Incorporated in the U.S.A.

Adjacent Key Suppression, AKS, Analog-for-the-Digital Age, Any Capacitor, AnyIn, AnyOut, BlueSky, BodyCom, CodeGuard, CryptoAuthentication, CryptoAutomotive, CryptoCompanion, CryptoController, dsPICDEM, dsPICDEM.net, Dynamic Average Matching, DAM, ECAN, EtherGREEN, In-Circuit Serial Programming, ICSP, INICnet, Inter-Chip Connectivity, JitterBlocker, KlearNet, KlearNet logo, memBrain, Mindi, MiWi, MPASM, MPF, MPLAB Certified logo, MPLIB, MPLINK, MultiTRAK, NetDetach, Omniscient Code Generation, PICDEM, PICDEM.net, PICKit, PICtail, PowerSmart, PureSilicon, QMatrix, REAL ICE, Ripple Blocker, SAM-ICE, Serial Quad I/O, SMART-I.S., SQI, SuperSwitcher, SuperSwitcher II, Total Endurance, TSHARC, USBCheck, VariSense, ViewSpan, WiperLock, Wireless DNA, and ZENA are trademarks of Microchip Technology Incorporated in the U.S.A. and other countries.

SQTP is a service mark of Microchip Technology Incorporated in the U.S.A.

The Adaptec logo, Frequency on Demand, Silicon Storage Technology, and Symmcom are registered trademarks of Microchip Technology Inc. in other countries.

GestIC is a registered trademark of Microchip Technology Germany II GmbH & Co. KG, a subsidiary of Microchip Technology Inc., in other countries.

All other trademarks mentioned herein are property of their respective companies.

© 2011-2020, Microchip Technology Incorporated, All Rights Reserved.

ISBN: 9781522456292

*For information regarding Microchip's Quality Management Systems, please visit [www.microchip.com/quality](http://www.microchip.com/quality).*



## Worldwide Sales and Service

### AMERICAS

**Corporate Office**  
2355 West Chandler Blvd.  
Chandler, AZ 85224-6199  
Tel: 480-792-7200  
Fax: 480-792-7277  
Technical Support:  
<http://www.microchip.com/support>  
Web Address:  
[www.microchip.com](http://www.microchip.com)

**Atlanta**  
Duluth, GA  
Tel: 678-957-9614  
Fax: 678-957-1455

**Austin, TX**  
Tel: 512-257-3370

**Boston**  
Westborough, MA  
Tel: 774-760-0087  
Fax: 774-760-0088

**Chicago**  
Itasca, IL  
Tel: 630-285-0071  
Fax: 630-285-0075

**Dallas**  
Addison, TX  
Tel: 972-818-7423  
Fax: 972-818-2924

**Detroit**  
Novi, MI  
Tel: 248-848-4000

**Houston, TX**  
Tel: 281-894-5983

**Indianapolis**  
Noblesville, IN  
Tel: 317-773-8323  
Fax: 317-773-5453  
Tel: 317-536-2380

**Los Angeles**  
Mission Viejo, CA  
Tel: 949-462-9523  
Fax: 949-462-9608  
Tel: 951-273-7800

**Raleigh, NC**  
Tel: 919-844-7510

**New York, NY**  
Tel: 631-435-6000

**San Jose, CA**  
Tel: 408-735-9110  
Tel: 408-436-4270

**Canada - Toronto**  
Tel: 905-695-1980  
Fax: 905-695-2078

### ASIA/PACIFIC

**Australia - Sydney**  
Tel: 61-2-9868-6733

**China - Beijing**  
Tel: 86-10-8569-7000

**China - Chengdu**  
Tel: 86-28-8665-5511

**China - Chongqing**  
Tel: 86-23-8980-9588

**China - Dongguan**  
Tel: 86-769-8702-9880

**China - Guangzhou**  
Tel: 86-20-8755-8029

**China - Hangzhou**  
Tel: 86-571-8792-8115

**China - Hong Kong SAR**  
Tel: 852-2943-5100

**China - Nanjing**  
Tel: 86-25-8473-2460

**China - Qingdao**  
Tel: 86-532-8502-7355

**China - Shanghai**  
Tel: 86-21-3326-8000

**China - Shenyang**  
Tel: 86-24-2334-2829

**China - Shenzhen**  
Tel: 86-755-8864-2200

**China - Suzhou**  
Tel: 86-186-6233-1526

**China - Wuhan**  
Tel: 86-27-5980-5300

**China - Xian**  
Tel: 86-29-8833-7252

**China - Xiamen**  
Tel: 86-592-2388138

**China - Zhuhai**  
Tel: 86-756-3210040

### ASIA/PACIFIC

**India - Bangalore**  
Tel: 91-80-3090-4444

**India - New Delhi**  
Tel: 91-11-4160-8631

**India - Pune**  
Tel: 91-20-4121-0141

**Japan - Osaka**  
Tel: 81-6-6152-7160

**Japan - Tokyo**  
Tel: 81-3-6880-3770

**Korea - Daegu**  
Tel: 82-53-744-4301

**Korea - Seoul**  
Tel: 82-2-554-7200

**Malaysia - Kuala Lumpur**  
Tel: 60-3-7651-7906

**Malaysia - Penang**  
Tel: 60-4-227-8870

**Philippines - Manila**  
Tel: 63-2-634-9065

**Singapore**  
Tel: 65-6334-8870

**Taiwan - Hsin Chu**  
Tel: 886-3-577-8366

**Taiwan - Kaohsiung**  
Tel: 886-7-213-7830

**Taiwan - Taipei**  
Tel: 886-2-2508-8600

**Thailand - Bangkok**  
Tel: 66-2-694-1351

**Vietnam - Ho Chi Minh**  
Tel: 84-28-5448-2100

### EUROPE

**Austria - Wels**  
Tel: 43-7242-2244-39  
Fax: 43-7242-2244-393

**Denmark - Copenhagen**  
Tel: 45-4450-2828  
Fax: 45-4485-2829

**Finland - Espoo**  
Tel: 358-9-4520-820

**France - Paris**  
Tel: 33-1-69-53-63-20  
Fax: 33-1-69-30-90-79

**Germany - Garching**  
Tel: 49-8931-9700

**Germany - Haan**  
Tel: 49-2129-3766400

**Germany - Heilbronn**  
Tel: 49-7131-72400

**Germany - Karlsruhe**  
Tel: 49-721-625370

**Germany - Munich**  
Tel: 49-89-627-144-0  
Fax: 49-89-627-144-44

**Germany - Rosenheim**  
Tel: 49-8031-354-560

**Israel - Ra'anana**  
Tel: 972-9-744-7705

**Italy - Milan**  
Tel: 39-0331-742611  
Fax: 39-0331-466781

**Italy - Padova**  
Tel: 39-049-7625286

**Netherlands - Drunen**  
Tel: 31-416-690399  
Fax: 31-416-690340

**Norway - Trondheim**  
Tel: 47-7288-4388

**Poland - Warsaw**  
Tel: 48-22-3325737

**Romania - Bucharest**  
Tel: 40-21-407-87-50

**Spain - Madrid**  
Tel: 34-91-708-08-90  
Fax: 34-91-708-08-91

**Sweden - Gothenberg**  
Tel: 46-31-704-60-40

**Sweden - Stockholm**  
Tel: 46-8-5090-4654

**UK - Wokingham**  
Tel: 44-118-921-5800  
Fax: 44-118-921-5820

05/14/19