

To our customers,

Old Company Name in Catalogs and Other Documents

On April 1st, 2010, NEC Electronics Corporation merged with Renesas Technology Corporation, and Renesas Electronics Corporation took over all the business of both companies. Therefore, although the old company name remains in this document, it is a valid Renesas Electronics document. We appreciate your understanding.

Renesas Electronics website: <http://www.renesas.com>

April 1st, 2010
Renesas Electronics Corporation

Issued by: Renesas Electronics Corporation (<http://www.renesas.com>)

Send any inquiries to <http://www.renesas.com/inquiry>.

Notice

1. All information included in this document is current as of the date this document is issued. Such information, however, is subject to change without any prior notice. Before purchasing or using any Renesas Electronics products listed herein, please confirm the latest product information with a Renesas Electronics sales office. Also, please pay regular and careful attention to additional and different information to be disclosed by Renesas Electronics such as that disclosed through our website.
2. Renesas Electronics does not assume any liability for infringement of patents, copyrights, or other intellectual property rights of third parties by or arising from the use of Renesas Electronics products or technical information described in this document. No license, express, implied or otherwise, is granted hereby under any patents, copyrights or other intellectual property rights of Renesas Electronics or others.
3. You should not alter, modify, copy, or otherwise misappropriate any Renesas Electronics product, whether in whole or in part.
4. Descriptions of circuits, software and other related information in this document are provided only to illustrate the operation of semiconductor products and application examples. You are fully responsible for the incorporation of these circuits, software, and information in the design of your equipment. Renesas Electronics assumes no responsibility for any losses incurred by you or third parties arising from the use of these circuits, software, or information.
5. When exporting the products or technology described in this document, you should comply with the applicable export control laws and regulations and follow the procedures required by such laws and regulations. You should not use Renesas Electronics products or the technology described in this document for any purpose relating to military applications or use by the military, including but not limited to the development of weapons of mass destruction. Renesas Electronics products and technology may not be used for or incorporated into any products or systems whose manufacture, use, or sale is prohibited under any applicable domestic or foreign laws or regulations.
6. Renesas Electronics has used reasonable care in preparing the information included in this document, but Renesas Electronics does not warrant that such information is error free. Renesas Electronics assumes no liability whatsoever for any damages incurred by you resulting from errors in or omissions from the information included herein.
7. Renesas Electronics products are classified according to the following three quality grades: “Standard”, “High Quality”, and “Specific”. The recommended applications for each Renesas Electronics product depends on the product’s quality grade, as indicated below. You must check the quality grade of each Renesas Electronics product before using it in a particular application. You may not use any Renesas Electronics product for any application categorized as “Specific” without the prior written consent of Renesas Electronics. Further, you may not use any Renesas Electronics product for any application for which it is not intended without the prior written consent of Renesas Electronics. Renesas Electronics shall not be in any way liable for any damages or losses incurred by you or third parties arising from the use of any Renesas Electronics product for an application categorized as “Specific” or for which the product is not intended where you have failed to obtain the prior written consent of Renesas Electronics. The quality grade of each Renesas Electronics product is “Standard” unless otherwise expressly specified in a Renesas Electronics data sheets or data books, etc.
 - “Standard”: Computers; office equipment; communications equipment; test and measurement equipment; audio and visual equipment; home electronic appliances; machine tools; personal electronic equipment; and industrial robots.
 - “High Quality”: Transportation equipment (automobiles, trains, ships, etc.); traffic control systems; anti-disaster systems; anti-crime systems; safety equipment; and medical equipment not specifically designed for life support.
 - “Specific”: Aircraft; aerospace equipment; submersible repeaters; nuclear reactor control systems; medical equipment or systems for life support (e.g. artificial life support devices or systems), surgical implantations, or healthcare intervention (e.g. excision, etc.), and any other applications or purposes that pose a direct threat to human life.
8. You should use the Renesas Electronics products described in this document within the range specified by Renesas Electronics, especially with respect to the maximum rating, operating supply voltage range, movement power voltage range, heat radiation characteristics, installation and other product characteristics. Renesas Electronics shall have no liability for malfunctions or damages arising out of the use of Renesas Electronics products beyond such specified ranges.
9. Although Renesas Electronics endeavors to improve the quality and reliability of its products, semiconductor products have specific characteristics such as the occurrence of failure at a certain rate and malfunctions under certain use conditions. Further, Renesas Electronics products are not subject to radiation resistance design. Please be sure to implement safety measures to guard them against the possibility of physical injury, and injury or damage caused by fire in the event of the failure of a Renesas Electronics product, such as safety design for hardware and software including but not limited to redundancy, fire control and malfunction prevention, appropriate treatment for aging degradation or any other appropriate measures. Because the evaluation of microcomputer software alone is very difficult, please evaluate the safety of the final products or system manufactured by you.
10. Please contact a Renesas Electronics sales office for details as to environmental matters such as the environmental compatibility of each Renesas Electronics product. Please use Renesas Electronics products in compliance with all applicable laws and regulations that regulate the inclusion or use of controlled substances, including without limitation, the EU RoHS Directive. Renesas Electronics assumes no liability for damages or losses occurring as a result of your noncompliance with applicable laws and regulations.
11. This document may not be reproduced or duplicated, in any form, in whole or in part, without prior written consent of Renesas Electronics.
12. Please contact a Renesas Electronics sales office if you have any questions regarding the information contained in this document or Renesas Electronics products, or if you have any other inquiries.

(Note 1) “Renesas Electronics” as used in this document means Renesas Electronics Corporation and also includes its majority-owned subsidiaries.

(Note 2) “Renesas Electronics product(s)” means any product developed or manufactured by or for Renesas Electronics.

ADJUSTABLE PRECISION SHUNT REGULATORS

DESCRIPTION

The μPC1093 are adjustable precision shunt regulators with guaranteed thermal stability. The output voltage can be set to any value between reference voltage (2.495 V) and 36 V by two external resistors.

These ICs can apply to error amplifier of switching regulators.

FEATURES

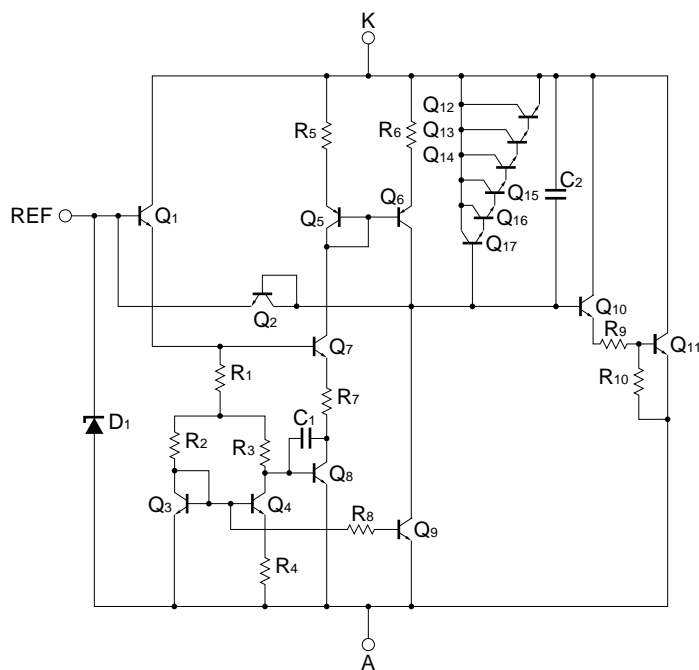
- High Accuracy $V_{REF} = 2.495 \text{ V} \pm 2 \%$
- Low Temperature Coefficient $\Delta V_{REF}/\Delta T \leq 100 \text{ ppm}/^\circ\text{C}$
- Adjustable Output Voltage by two External Resistors $V_{REF} \leq V_O \leq 36 \text{ V}$
- Low Dynamic Impedance $|Z_{KA}| = 0.1 \ \Omega \text{TYP.}$

ORDERING INFORMATION

	Part Number	Package
	μPC1093J	3-pin plastic SIP (TO-92)
	μPC1093G	8-pin plastic SOP (225 mil)
★	μPC1093T	Power mini mold (SOT-89)
★	μPC1093TA	5-pin plastic mini mold (SC-74A)

The information in this document is subject to change without notice.

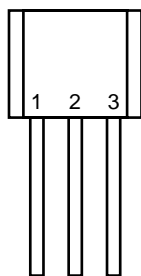
EQUIVALENT CIRCUIT



PIN CONFIGURATION (Marking Side)

3-pin plastic SIP (TO-92)

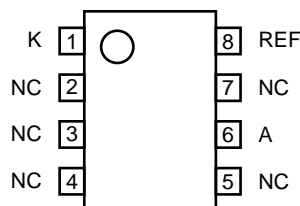
- μPC1093J



1 : REF
2 : A
3 : K

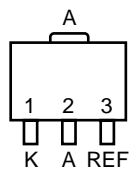
8-pin plastic SOP (225 mil)

- μPC1093G



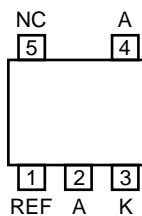
★ Power mini mold (SOT-89)

- μPC1093T



★ 5-pin plastic mini mold (SC-74A)

- μPC1093TA



REF : Reference
A : Anode
K : Cathode
NC : No Connection

ABSOLUTE MAXIMUM RATING (T_A = 25 °C, unless otherwise specified.)

Parameter	Symbol	Ratings	Unit	
Cathode Voltage	V _{KA}	37	V	
Cathode Current	I _K	150	mA	
Cathode-Anode Reverse Current	-I _K	-100	mA	
Reference Voltage	V _{REF}	7	V	
Reference Input Current	I _{REF}	50	μA	
Reference-Anode Reverse Current	-I _{REF}	-10	mA	
Power Dissipation	μPC1093J	P _T	mW	
	μPC1093G			700
	μPC1093T			480
	μPC1093TA			400/2 000 ^{Note 1}
			180/510 ^{Note 2}	
Operating Ambient Temperature	T _A	-20 ~ +85	°C	
Storage Temperature	T _{stg}	-65 ~ +150	°C	

★
★

- Notes** 1. with 16 cm² × 0.7 mm ceramic substrate
 2. with 75 mm² × 0.7 mm ceramic substrate

Caution Exposure to Absolute Maximum Ratings for extended periods may affect device reliability; exceeding the ratings could cause permanent damage. The parameters apply independently. The device should be operated within the limits specified under DC and AC Characteristics.

RECOMMENDED OPERATING CONDITIONS

Parameter	Symbol	MIN.	TYP.	MAX.	Unit	
Cathode Voltage	V _{KA}	V _{REF}	5	36	V	
Cathode Current	I _K	1	10	100	mA	
Power Dissipation	μPC1093J	P _T		50	mW	
	μPC1093G					220
	μPC1093T					150
	μPC1093TA					125/640 ^{Note 1}
				50	58/160 ^{Note 2}	
Operating Ambient Temperature	T _A	-20		+85	°C	

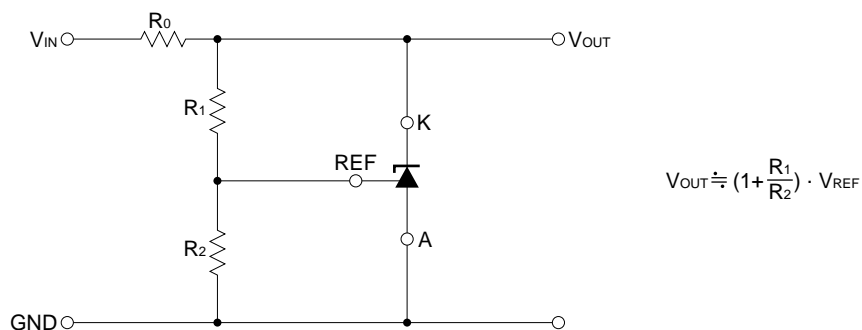
★
★
★

- Notes** 1. with 16 cm² × 0.7 mm ceramic substrate
 2. with 75 mm² × 0.7 mm ceramic substrate

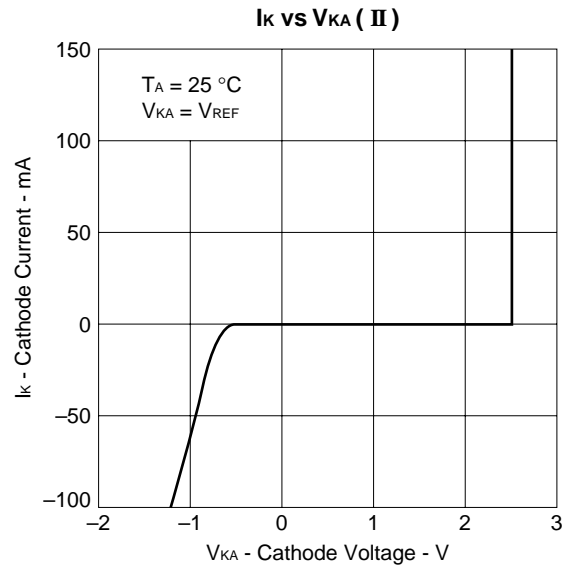
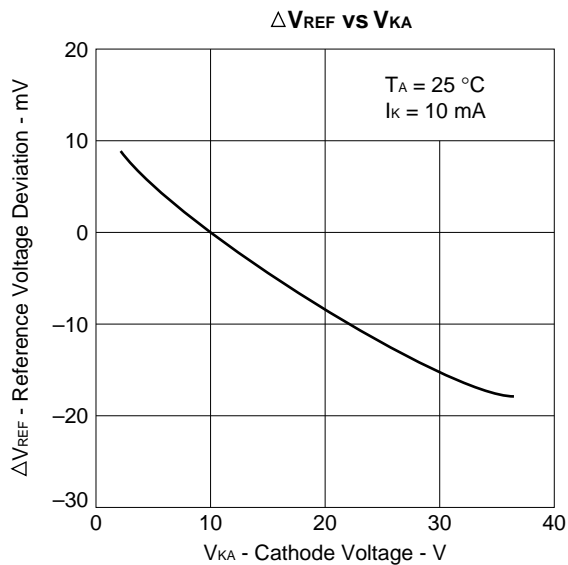
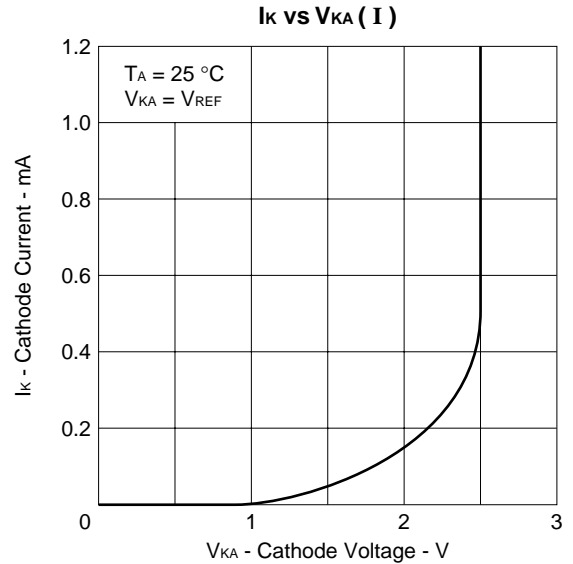
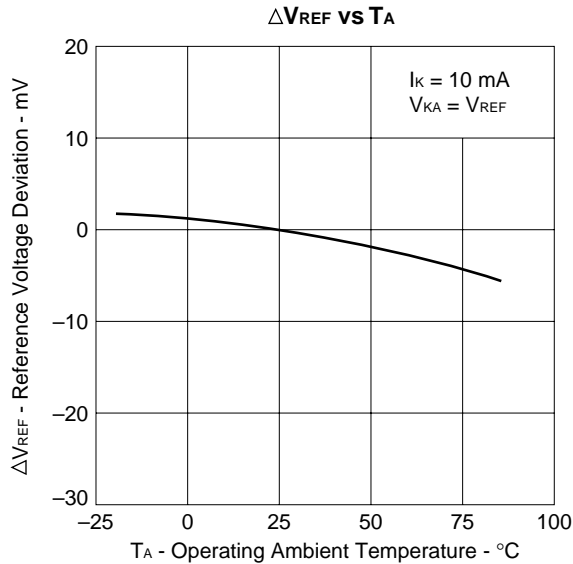
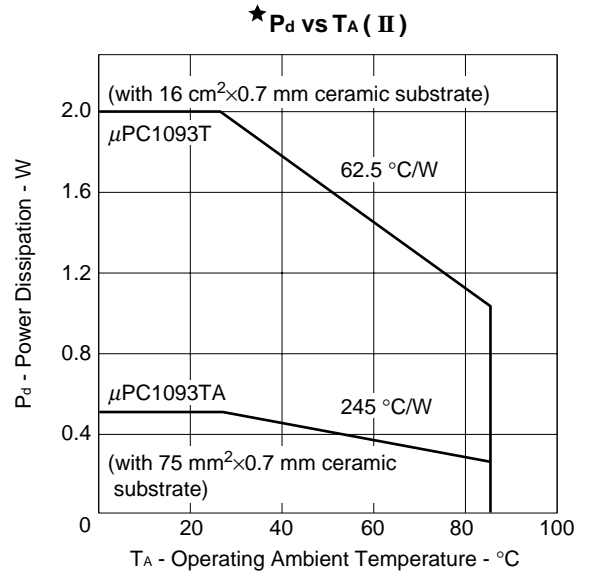
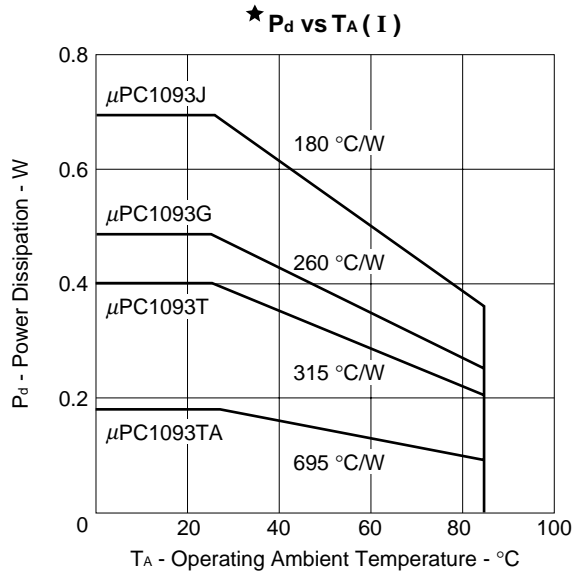
ELECTRICAL CHARACTERISTICS (T_A = 25 °C, I_K = 10 mA, unless otherwise specified.)

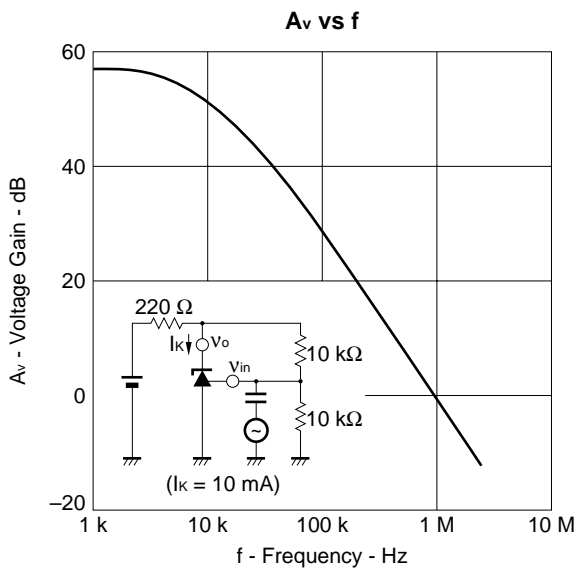
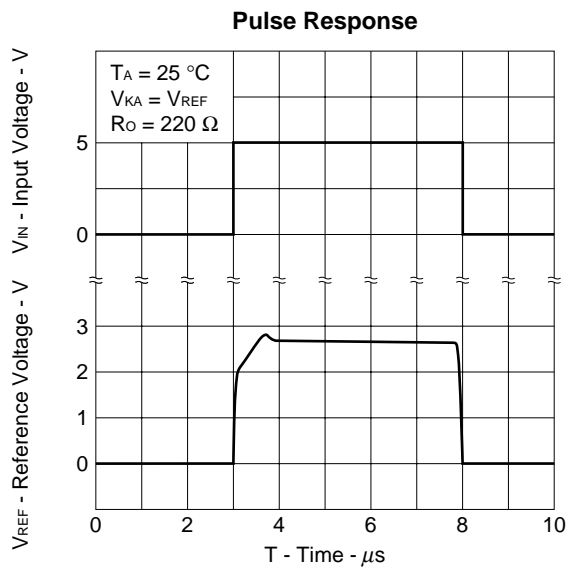
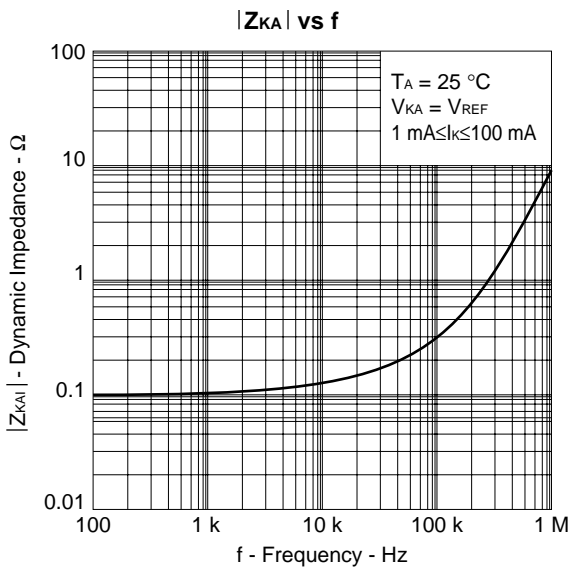
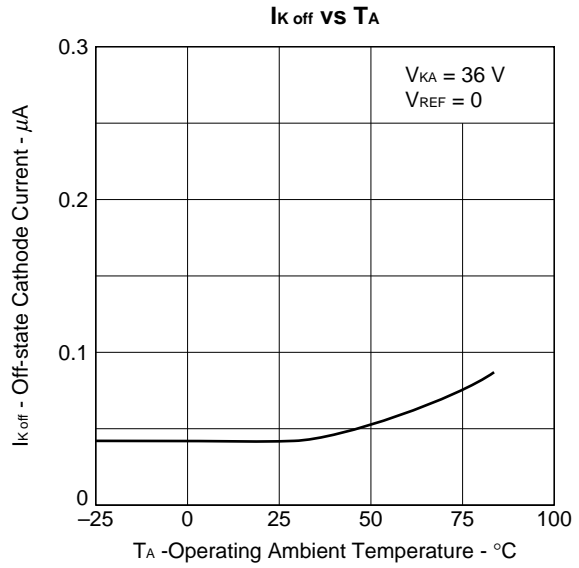
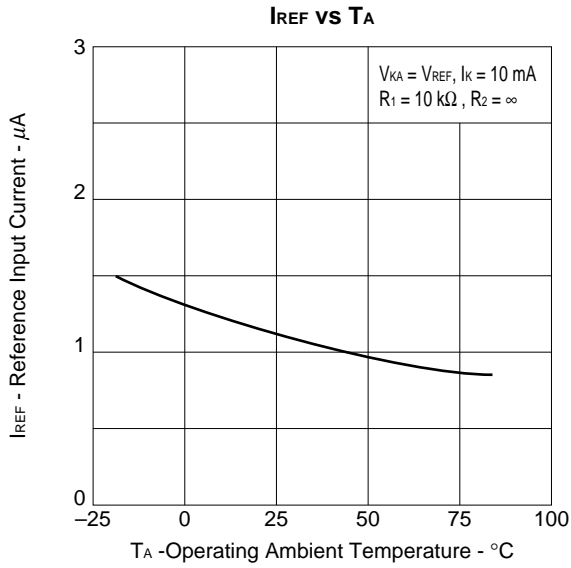
Parameter	Symbol	Conditions	MIN.	TYP.	MAX.	Unit
Reference Voltage	V _{REF}	V _{K_A} = V _{REF}	2.440	2.495	2.550	V
Reference Voltage Deviation Over Temperature	ΔV _{REF}	0 °C ≤ T _A ≤ 70 °C, V _{K_A} = V _{REF}		7	17	mV
Reference Voltage Deviation Over Cathode Voltage	ΔV _{REF} /ΔV	V _{REF} ≤ V _{K_A} ≤ 10 V		1.2	2.7	mV/V
		10 V ≤ V _{K_A} ≤ 36 V		0.7	2	mV/V
Reference Input Current	I _{REF}	V _{K_A} = V _{REF} , R ₁ = 10 kΩ, R ₂ = ∞		1	4	μA
Reference Input Current Deviation Over Temperature	ΔI _{REF}	0 °C ≤ T _A ≤ 70 °C, V _{K_A} = V _{REF} , R ₁ = 10 kΩ, R ₂ = ∞		0.4	1.2	μA
Minimum Cathode Current	I _{K min.}	V _{K_A} = V _{REF} , ΔV _{REF} = 2 %		0.4	1	mA
Off-state Cathode Current	I _{K off}	V _{K_A} = 36 V, V _{REF} = 0		0.1	1	μA
Dynamic Impedance	Z _{K_A}	V _{K_A} = V _{REF} , f ≤ 1 kHz 1 mA ≤ I _K ≤ 100 mA		0.1	0.5	Ω

TEST AND APPLICATION CIRCUIT

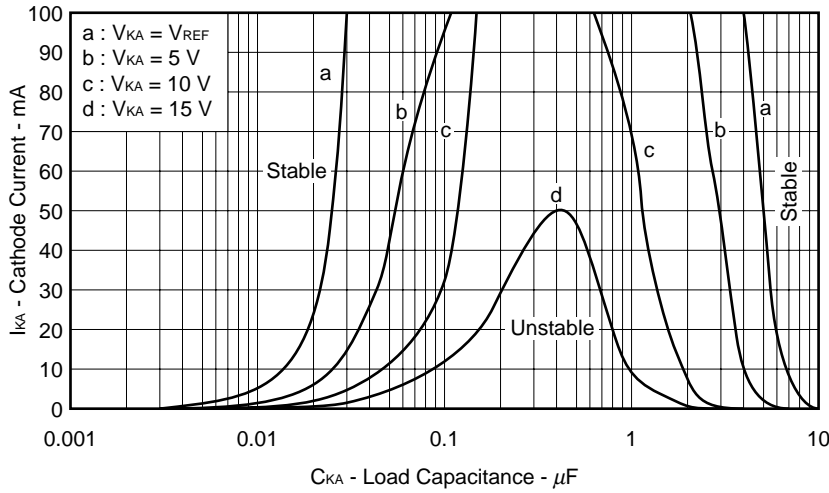


TYPICAL CHARACTERISTICS

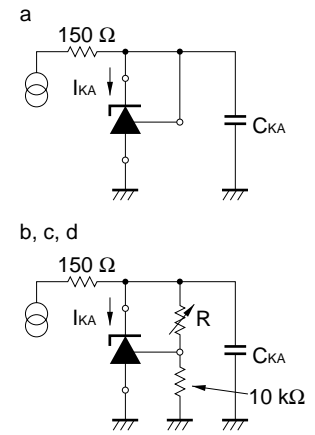




★ STABILITY AREA



★ TEST CIRCUIT



C_{KA} : Monolithic Ceramic Capacitors

★ Caution of Stability Area

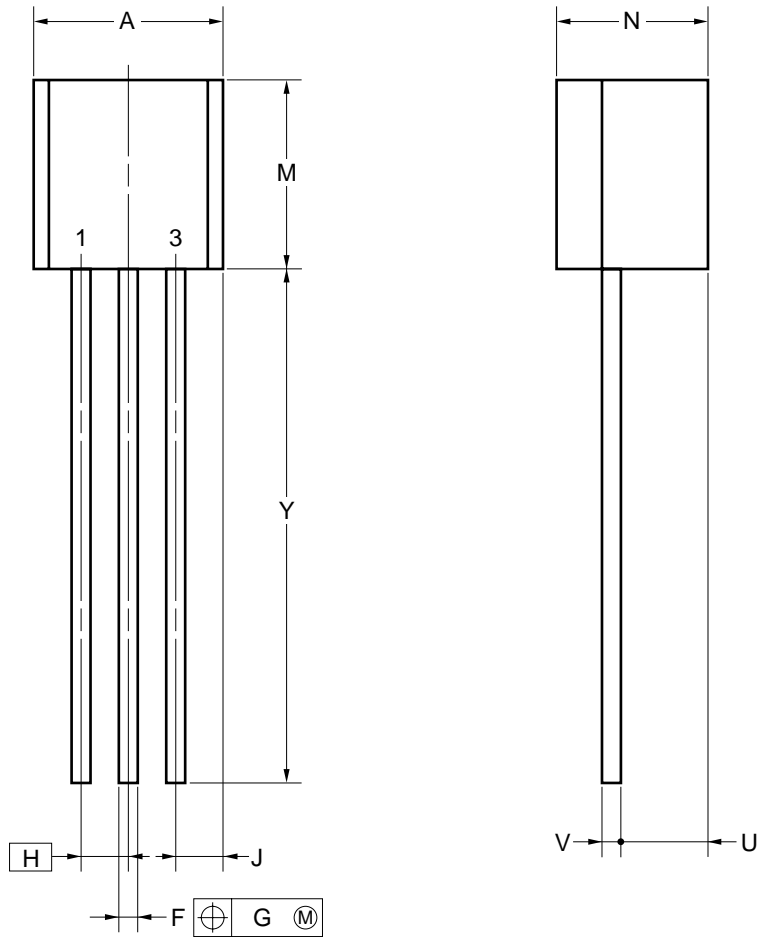
If the Aluminum electrolytic capacitor is used, it should be kept $C_{KA} \geq 2.2 \mu F$.

When using plural different types of capacitors, each capacitor is needed to be stable independently.

When designing a circuit, take the characteristic variation among devices into consideration, so that the designed circuit has an enough characteristic margin supporting the standard specifications described above.

PACKAGE DRAWINGS

3 PIN PLASTIC SIP (TO-92)



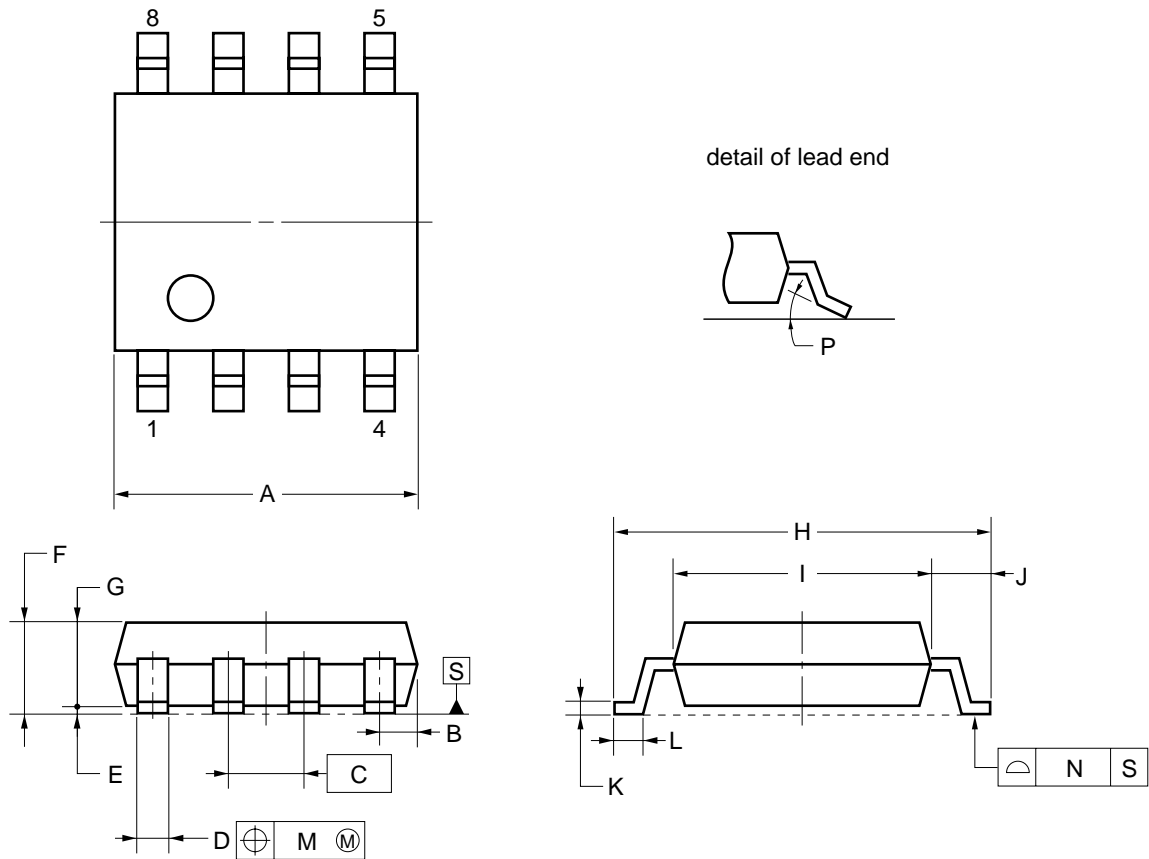
NOTE

Each lead centerline is located within 0.12 mm of its true position (T.P.) at maximum material condition.

ITEM	MILLIMETERS
A	5.0±0.2
F	0.5 ^{+0.3} _{-0.1}
G	0.12
H	1.27
J	1.33 MAX.
M	5.0±0.5
N	4.0±0.2
U	2.8 MAX.
V	0.5±0.1
Y	15.0±0.7

P3J-127B-2

8 PIN PLASTIC SOP (225 mil)



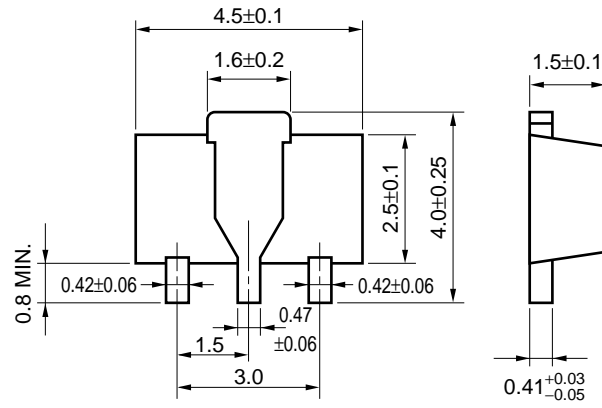
NOTE

Each lead centerline is located within 0.12 mm of its true position (T.P.) at maximum material condition.

ITEM	MILLIMETERS
A	5.2 ^{+0.17} _{-0.20}
B	0.78 MAX.
C	1.27 (T.P.)
D	0.42 ^{+0.08} _{-0.07}
E	0.1±0.1
F	1.59±0.21
G	1.49
H	6.5±0.3
I	4.4±0.15
J	1.1±0.2
K	0.17 ^{+0.08} _{-0.07}
L	0.6±0.2
M	0.12
N	0.10
P	3° ^{+7°} _{-3°}

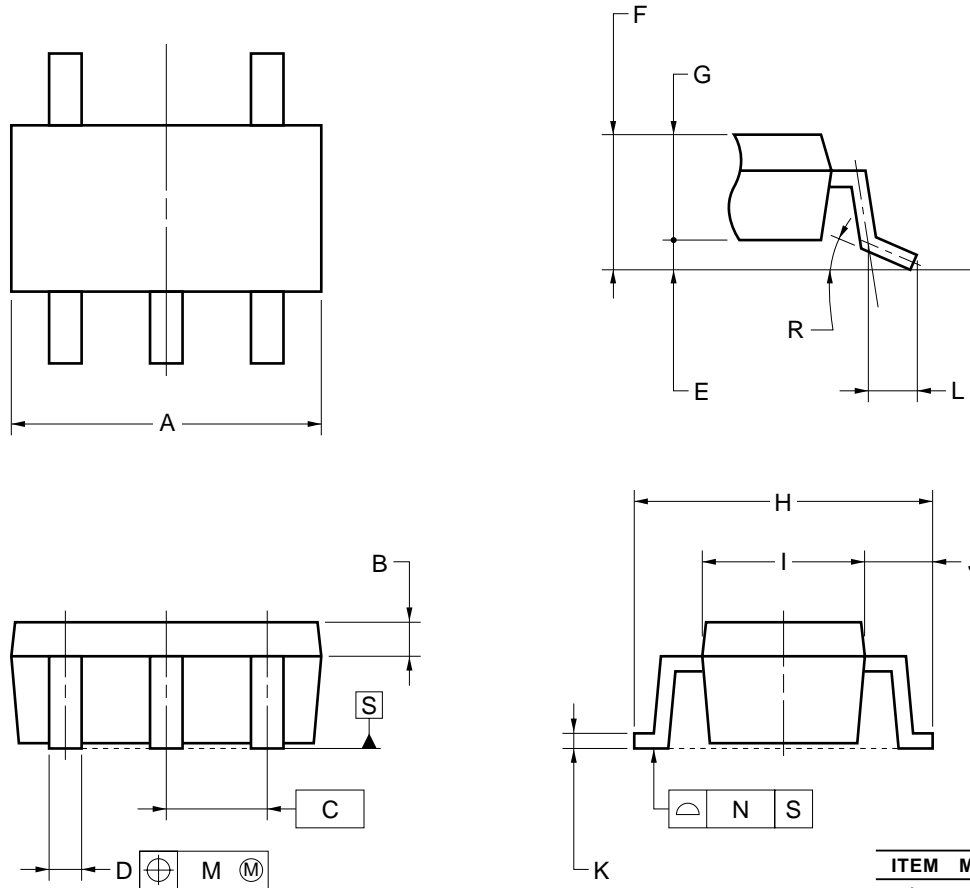
S8GM-50-225B-5

★ POWER MINI MOLD (SOT-89) (Unit: mm)



★ 5 PIN PLASTIC MINI MOLD

detail of lead end



ITEM	MILLIMETERS
A	2.9±0.2
B	0.3
C	0.95 (T.P.)
D	0.32 ^{+0.05} _{-0.02}
E	0.05±0.05
F	1.4 MAX.
G	1.1 ^{+0.2} _{-0.1}
H	2.8±0.2
I	1.5 ^{+0.2} _{-0.1}
J	0.65 ^{+0.1} _{-0.15}
K	0.16 ^{+0.1} _{-0.06}
L	0.4±0.2
M	0.19
N	0.1
R	5°±5°

S5TA-95-15A

★ RECOMMENDED SOLDERING CONDITIONS

When soldering this product, it is highly recommended to observe the conditions as shown below. If other soldering processes are used, or if the soldering is performed under different conditions, please make sure to consult with our sales offices.

For more details, refer to our document “SEMICONDUCTOR DEVICE MOUNTING TECHNOLOGY MANUAL” (C10535E).

Through-hole device

μPC1093J: 3-pin plastic SIP (TO-92)

Process	Conditions
Wave soldering (only to leads)	Solder temperature: 260 °C or below, Flow time: 10 seconds or less.

Caution For through-hole device, the wave soldering process must be applied only to leads, and make sure that the package body does not get jet soldered.

Surface mount devices

μPC1093G: 8-pin plastic SOP (225 mil)

Process	Conditions	Symbol
Infrared ray reflow	Peak temperature: 230 °C or below (Package surface temperature), Reflow time: 30 seconds or less (at 210 °C or higher), Maximum number of reflow processes: 1 time.	IR30-00-1
VPS	Peak temperature: 215 °C or below (Package surface temperature), Reflow time: 40 seconds or less (at 200 °C or higher), Maximum number of reflow processes: 1 time.	VP15-00-1
Wave soldering	Solder temperature: 260 °C or below, Flow time: 10 seconds or less, Maximum number of flow processes: 1 time, Pre-heating temperature: 120 °C or below (Package surface temperature).	WS60-00-1

Caution Apply only one kind of soldering condition to a device, or the device will be damaged by heat stress.

μPC1093T: Power mini mold (SOT-89)

Process	Conditions	Symbol
Infrared ray reflow	Peak temperature: 235 °C or below (Package surface temperature), Reflow time: 30 seconds or less (at 210 °C or higher), Maximum number of reflow processes: 2 times.	IR35-00-2
VPS	Peak temperature: 215 °C or below (Package surface temperature), Reflow time: 40 seconds or less (at 200 °C or higher), Maximum number of reflow processes: 2 times.	VP15-00-2
Wave soldering	Solder temperature: 260 °C or below, Flow time: 10 seconds or less, Maximum number of flow processes: 1 time, Pre-heating temperature: 120 °C or below (Package surface temperature).	WS60-00-1

Caution Apply only one kind of soldering condition to a device, or the device will be damaged by heat stress.

μPC1093TA: 5-pin plastic mini mold (SC-74A)

Process	Conditions	Symbol
Infrared ray reflow	Peak temperature: 235 °C or below (Package surface temperature), Reflow time: 30 seconds or less (at 210 °C or higher), Maximum number of reflow processes: 3 times.	IR35-00-3
VPS	Peak temperature: 215 °C or below (Package surface temperature), Reflow time: 40 seconds or less (at 200 °C or higher), Maximum number of reflow processes: 3 times.	VP15-00-3
Wave soldering	Solder temperature: 260 °C or below, Flow time: 10 seconds or less, Maximum number of flow processes: 1 time, Pre-heating temperature: 120 °C or below (Package surface temperature).	WS60-00-1

Caution Apply only one kind of soldering condition to a device, or the device will be damaged by heat stress.

★ REFERENCE DOCUMENTS

Quality Grades on NEC Semiconductor Devices	C11531E
Semiconductor Device Mounting Technology Manual	C10535E
IC Package Manual	C10943X
Semiconductors Selection Guide	X10679E
NEC Semiconductor Device Reliability/Quality Control System	IEI-1212
-Three Terminal Regulator	

★ REMARK OF THE PACKAGE MARK

The package marks of the μPC1093T and the μPC1093TA are the symbols as follows.

Part Number	Mark
μPC1093T	93
μPC1093TA	K93

[MEMO]

[MEMO]

The application circuits and their parameters are for reference only and are not intended for use in actual design-ins.

No part of this document may be copied or reproduced in any form or by any means without the prior written consent of NEC Corporation. NEC Corporation assumes no responsibility for any errors which may appear in this document.

NEC Corporation does not assume any liability for infringement of patents, copyrights or other intellectual property rights of third parties by or arising from use of a device described herein or any other liability arising from use of such device. No license, either express, implied or otherwise, is granted under any patents, copyrights or other intellectual property rights of NEC Corporation or others.

While NEC Corporation has been making continuous effort to enhance the reliability of its semiconductor devices, the possibility of defects cannot be eliminated entirely. To minimize risks of damage or injury to persons or property arising from a defect in an NEC semiconductor device, customers must incorporate sufficient safety measures in its design, such as redundancy, fire-containment, and anti-failure features.

NEC devices are classified into the following three quality grades:

"Standard", "Special", and "Specific". The Specific quality grade applies only to devices developed based on a customer designated "quality assurance program" for a specific application. The recommended applications of a device depend on its quality grade, as indicated below. Customers must check the quality grade of each device before using it in a particular application.

Standard: Computers, office equipment, communications equipment, test and measurement equipment, audio and visual equipment, home electronic appliances, machine tools, personal electronic equipment and industrial robots

Special: Transportation equipment (automobiles, trains, ships, etc.), traffic control systems, anti-disaster systems, anti-crime systems, safety equipment and medical equipment (not specifically designed for life support)

Specific: Aircrafts, aerospace equipment, submersible repeaters, nuclear reactor control systems, life support systems or medical equipment for life support, etc.

The quality grade of NEC devices is "Standard" unless otherwise specified in NEC's Data Sheets or Data Books. If customers intend to use NEC devices for applications other than those specified for Standard quality grade, they should contact an NEC sales representative in advance.

Anti-radioactive design is not implemented in this product.